



US00D763957S

(12) **United States Design Patent**
Kohno et al.

(10) **Patent No.:** **US D763,957 S**
(45) **Date of Patent:** **** Aug. 16, 2016**

(54) **PRINTER**

(71) Applicants: **Masateru Kohno**, Ohta-ku (JP); **Shuji Nagano**, Ohta-ku (JP); **Shigeru Horiguchi**, Ohta-ku (JP)

(72) Inventors: **Masateru Kohno**, Ohta-ku (JP); **Shuji Nagano**, Ohta-ku (JP); **Shigeru Horiguchi**, Ohta-ku (JP)

(73) Assignee: **RICOH COMPANY, LTD.**, Tokyo (JP)

(**) Term: **14 Years**

(21) Appl. No.: **29/513,959**

(22) Filed: **Jan. 7, 2015**

(30) **Foreign Application Priority Data**

Jul. 15, 2014 (JP) 2014-015405

(51) **LOC (10) Cl.** **18-02**

(52) **U.S. Cl.**
USPC **D18/53**

(58) **Field of Classification Search**
USPC D18/53, 56, 59, 36, 38, 39, 40, 41, 45;
D14/301, 304, 305, 307
CPC ... G06K 15/12; G06K 15/14; H04N 1/00204;
H04N 1/00249; H04N 1/00278
See application file for complete search history.

(56) **References Cited**

U.S. PATENT DOCUMENTS

5,449,165 A * 9/1995 Naramore B65H 5/062
271/184
D450,343 S * 11/2001 Matsuo D18/39
D588,188 S * 3/2009 Minakawa D18/39
D619,166 S * 7/2010 Ishizawa D18/53
D623,685 S * 9/2010 Tsukuda D18/53

D625,756 S * 10/2010 Penke D18/39
D648,380 S * 11/2011 Clark, III D18/53
D662,972 S * 7/2012 Studer D18/53
D663,768 S * 7/2012 Yanagisawa D18/53
D694,819 S * 12/2013 Landa D18/53
D730,980 S * 6/2015 Kohno D18/53
D742,451 S * 11/2015 Landa D18/53
2008/0225103 A1 * 9/2008 Loh B41J 3/543
347/172

FOREIGN PATENT DOCUMENTS

CN 300793308 * 6/2008
CN 301634138 * 8/2011
CN 302351357 * 3/2013

* cited by examiner

Primary Examiner — Bridget L Eland

Assistant Examiner — Lauren McVey

(74) *Attorney, Agent, or Firm* — Oblon, McClelland, Maier & Neustadt, L.L.P.

(57) **CLAIM**

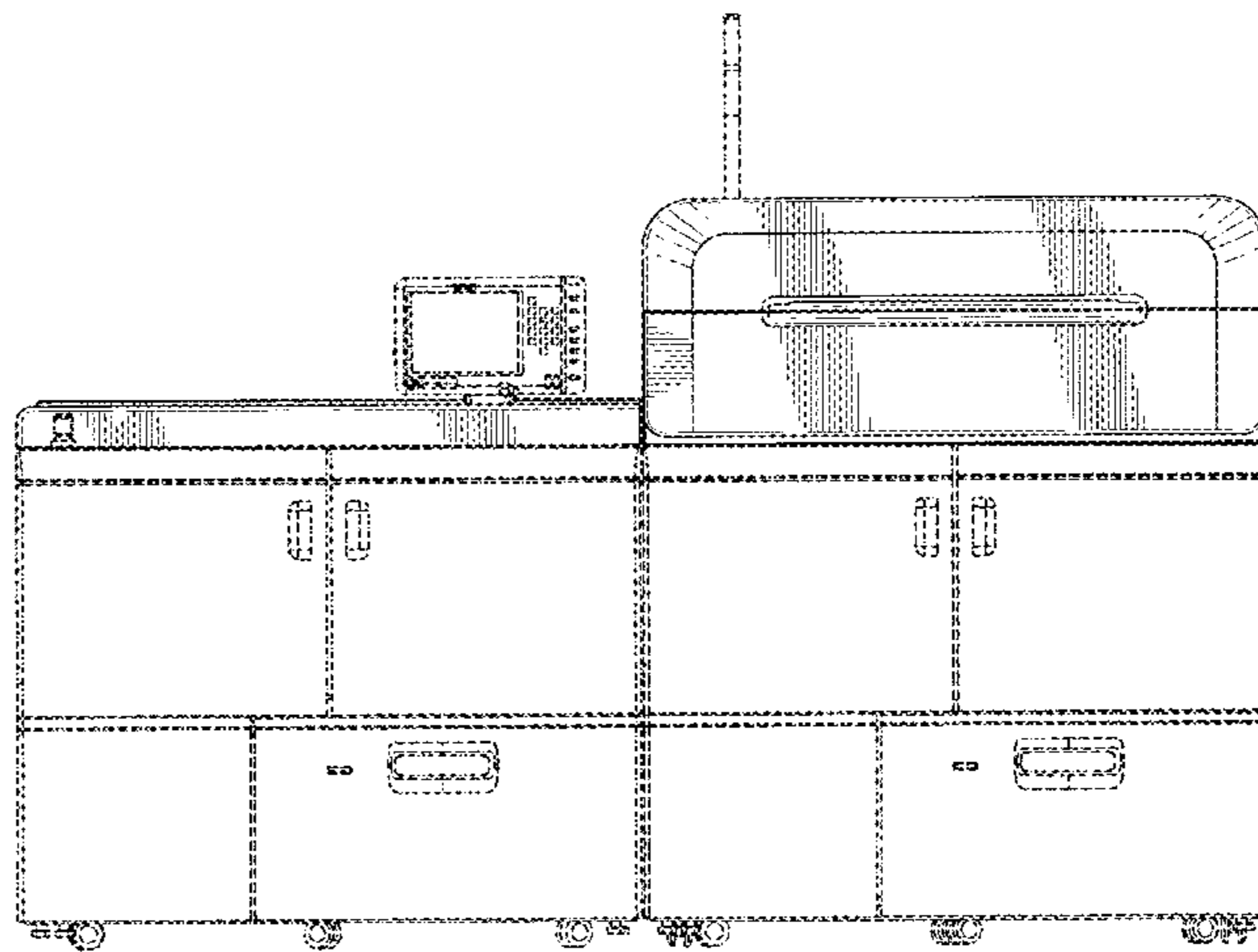
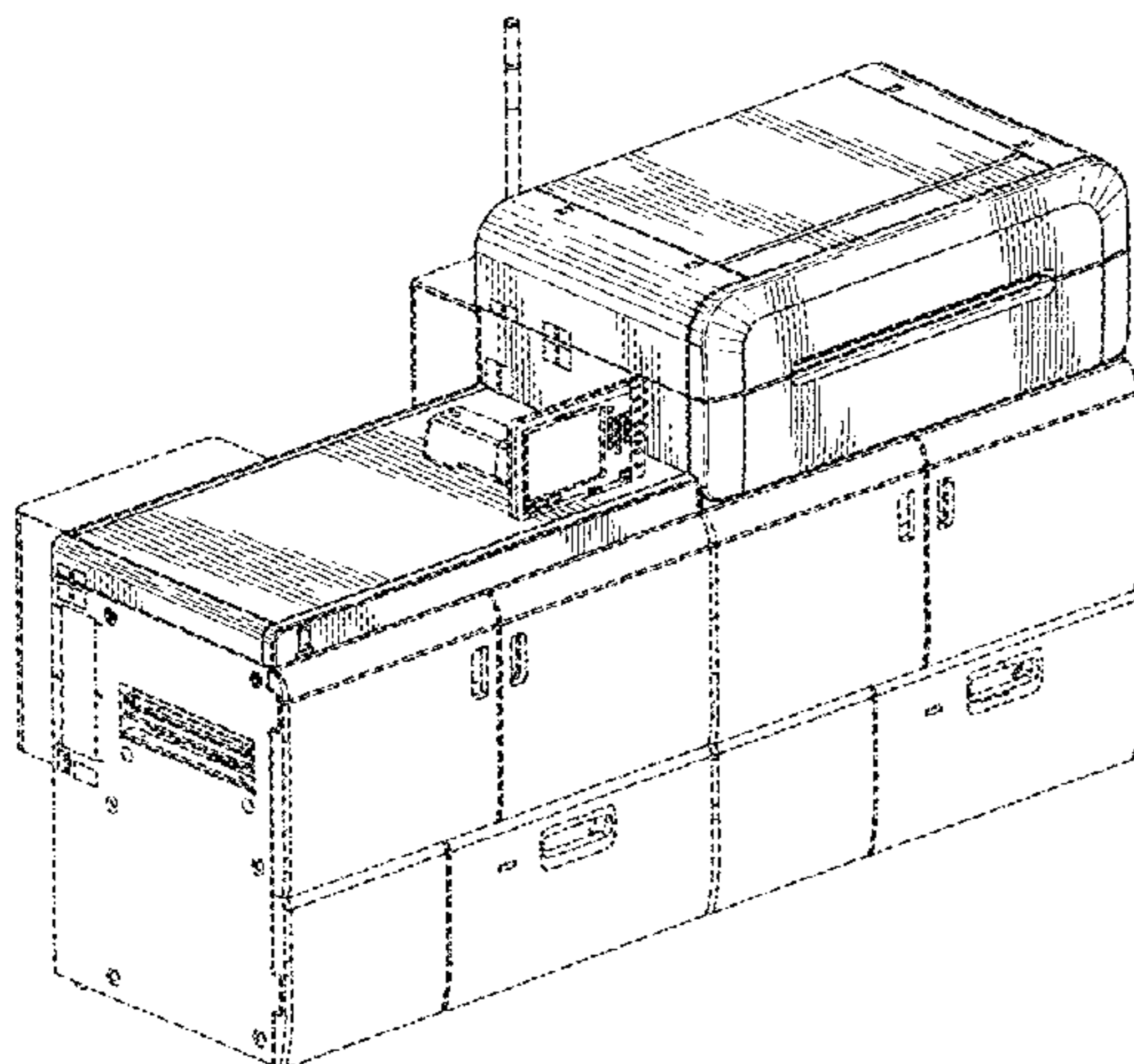
The ornamental design for a printer, as shown and described.

DESCRIPTION

FIG. 1 is a front, top, and right side perspective view of a printer;
FIG. 2 is a front, top, and left side perspective view thereof;
FIG. 3 is a front elevational view thereof;
FIG. 4 is a rear elevational view thereof;
FIG. 5 is a left side elevational view thereof;
FIG. 6 is a right side elevational view thereof; and,
FIG. 7 is a top plan view thereof.

The broken lines immediately adjacent to the shaded areas, encompassing unshaded regions, represent the bounds of the claim, while all other broken lines are directed to environment and are for illustrative purposes only; the broken lines form no part of the claimed design.

1 Claim, 7 Drawing Sheets



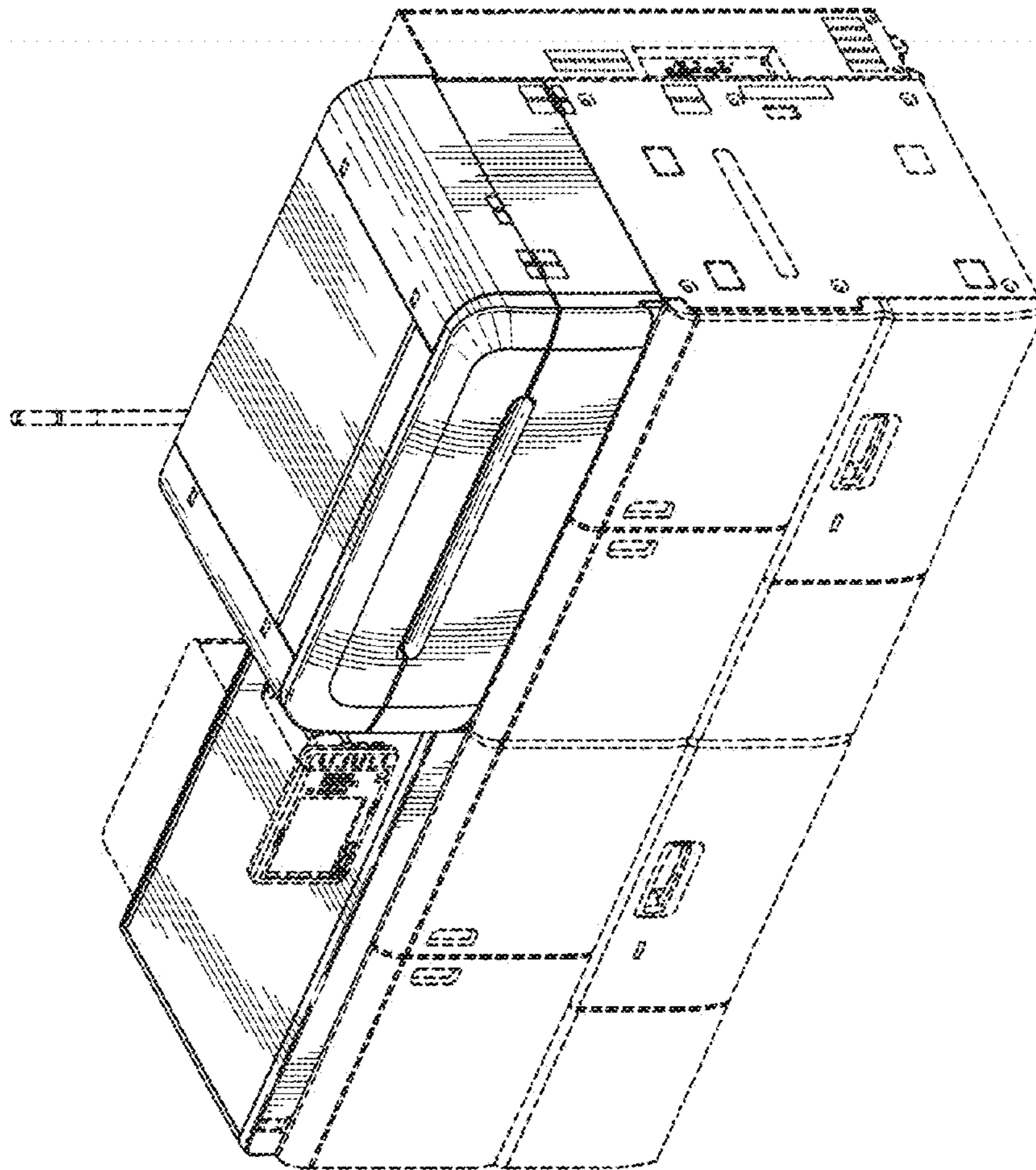


Fig. 1

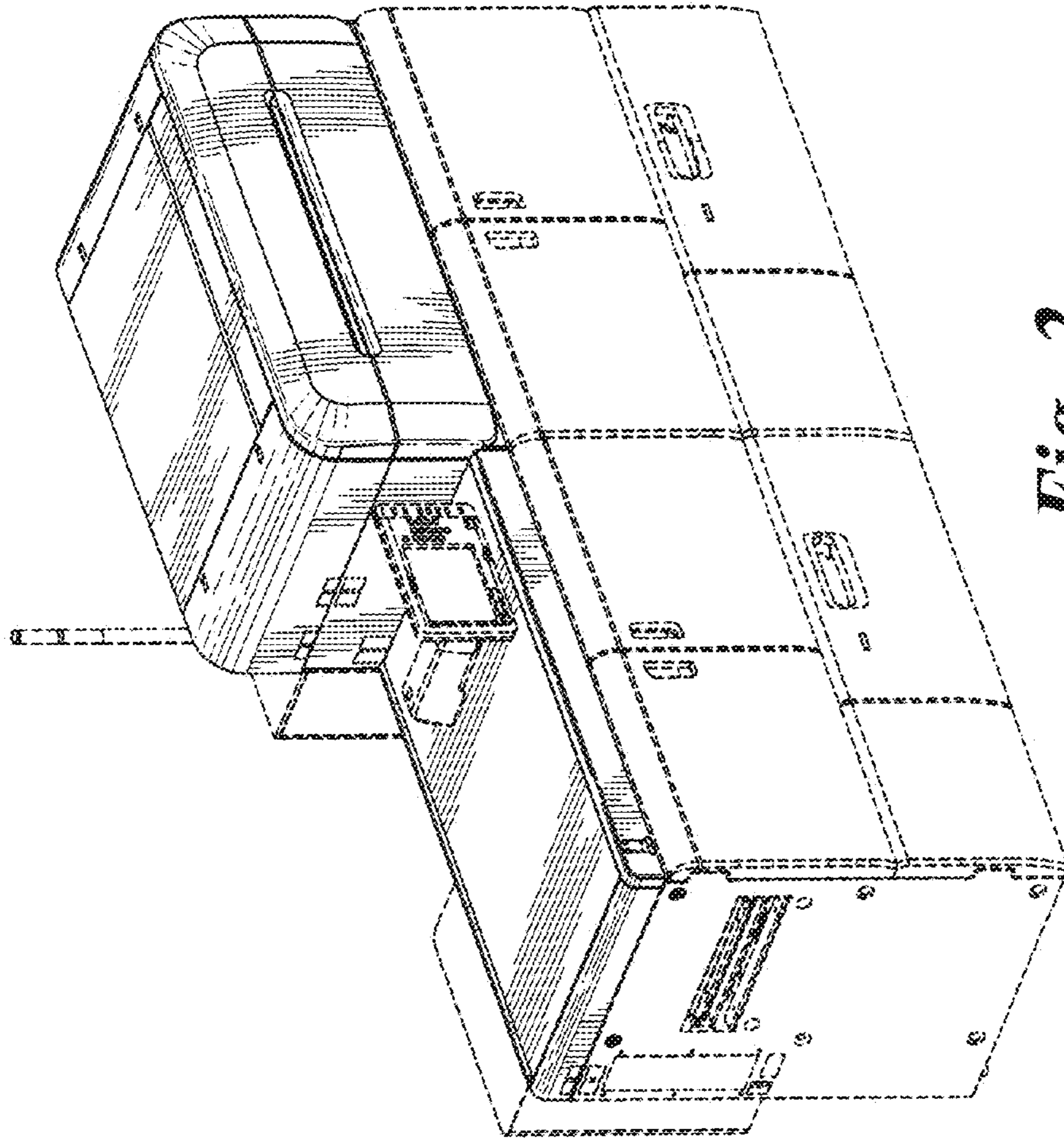


Fig. 2

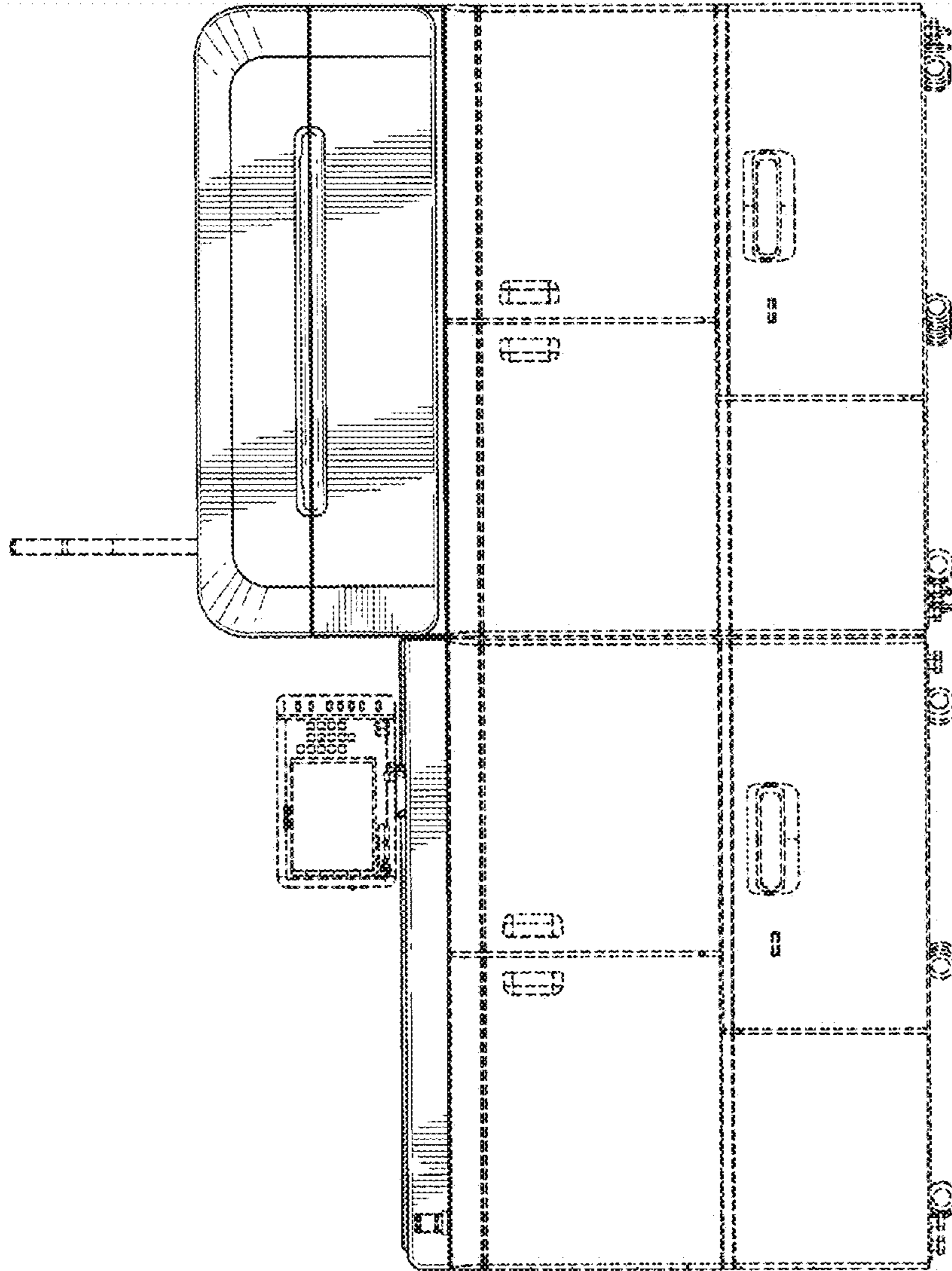


Fig. 3

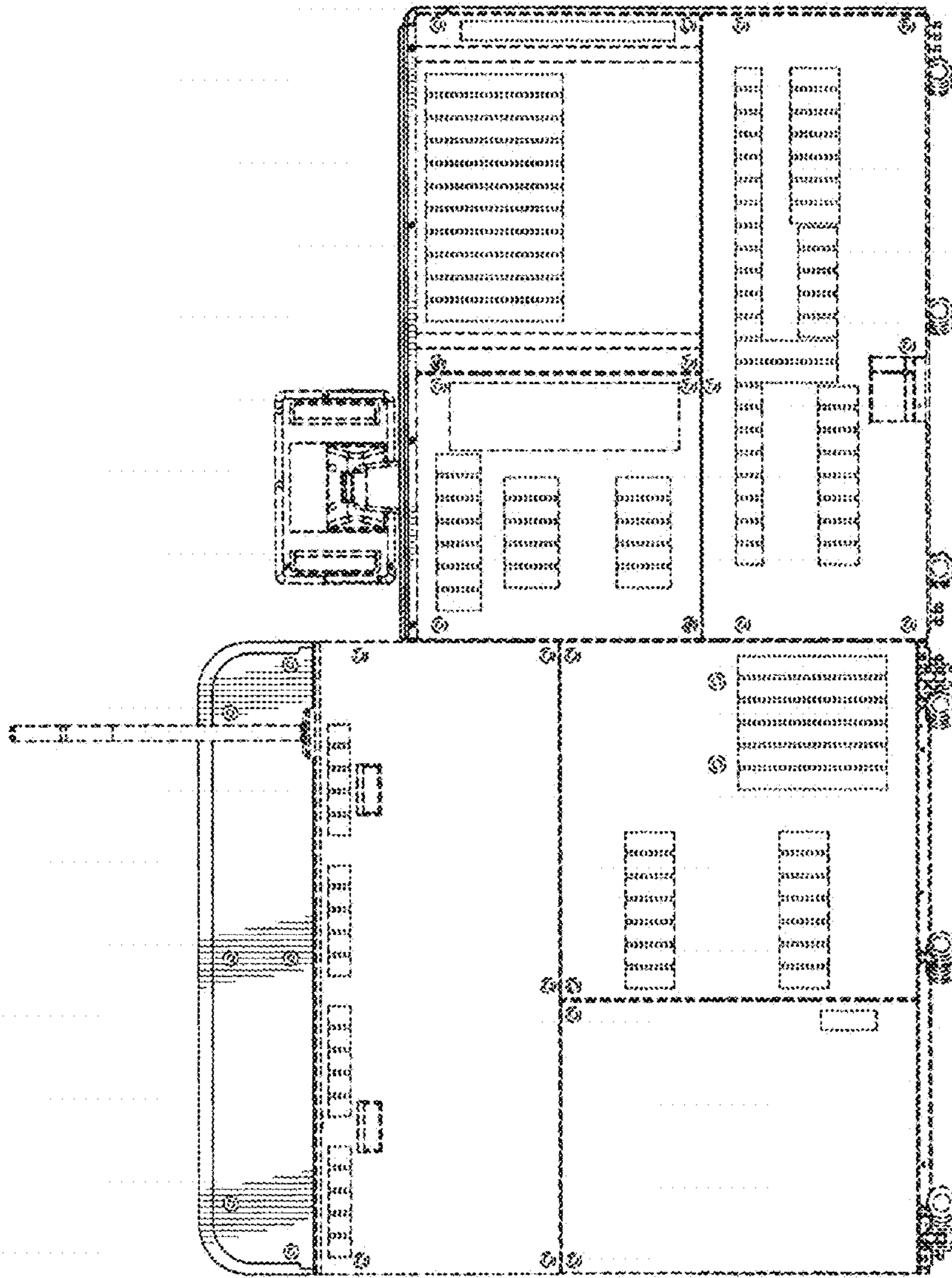


Fig. 4

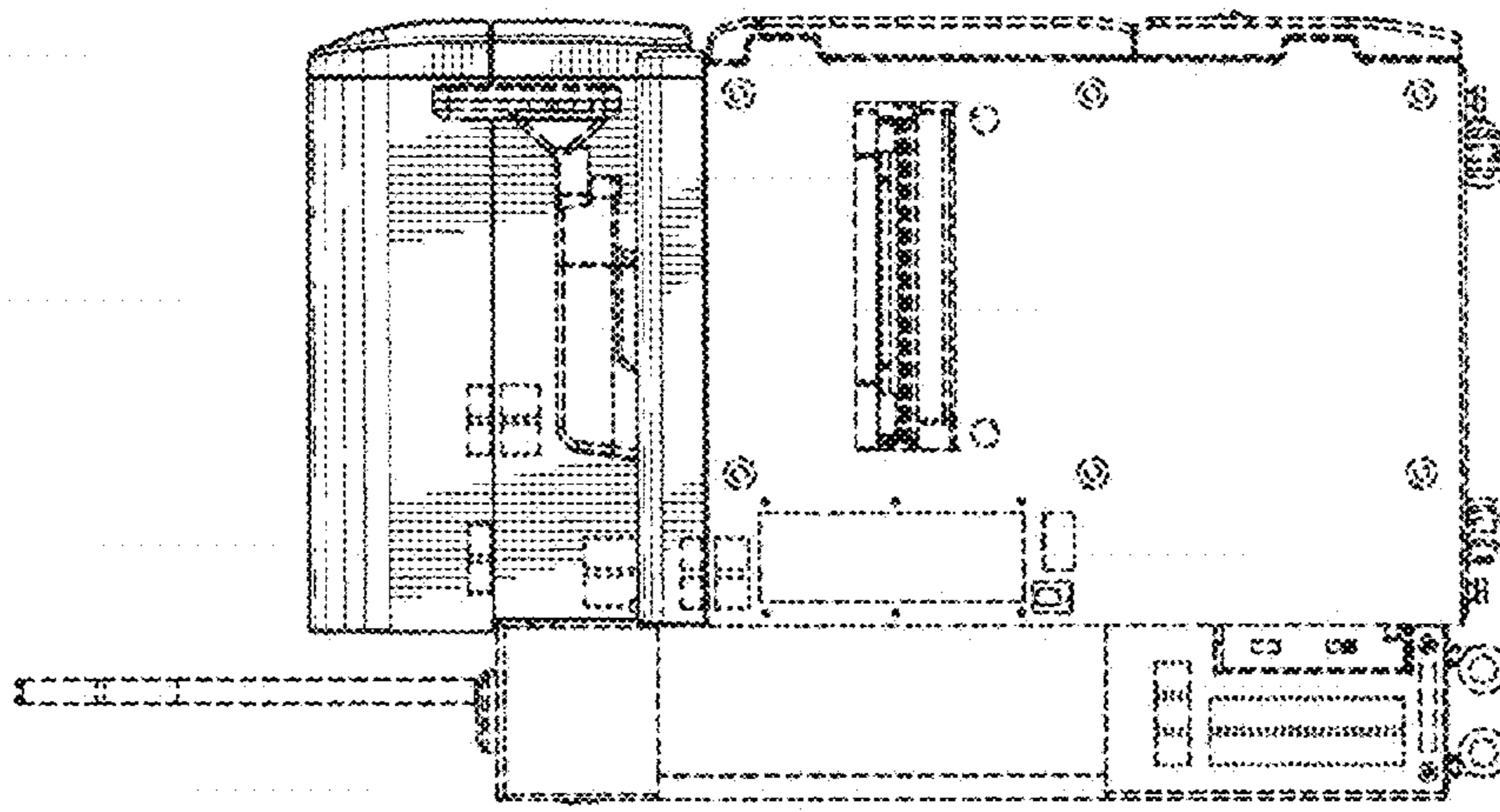


Fig. 5

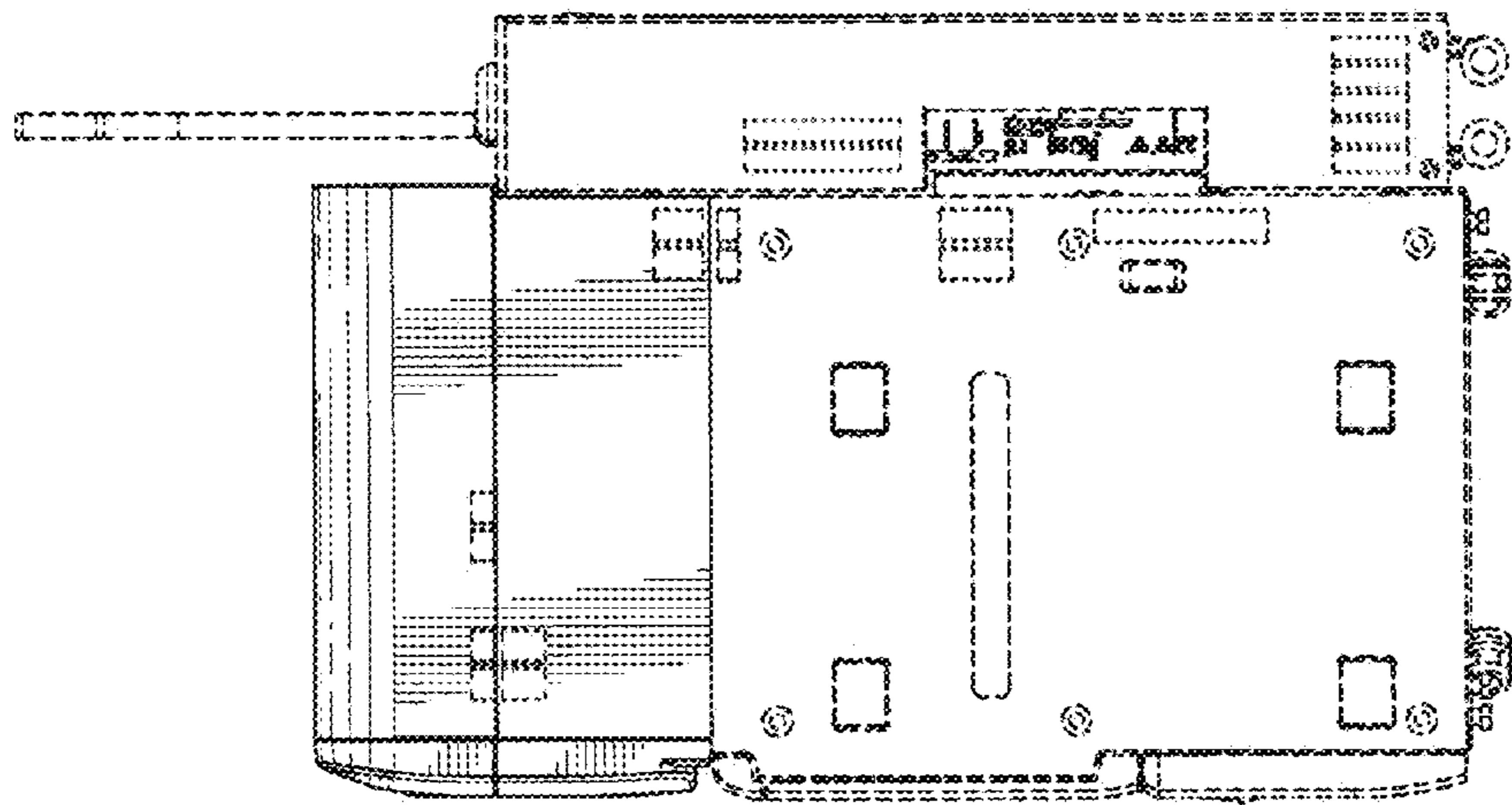


Fig. 6

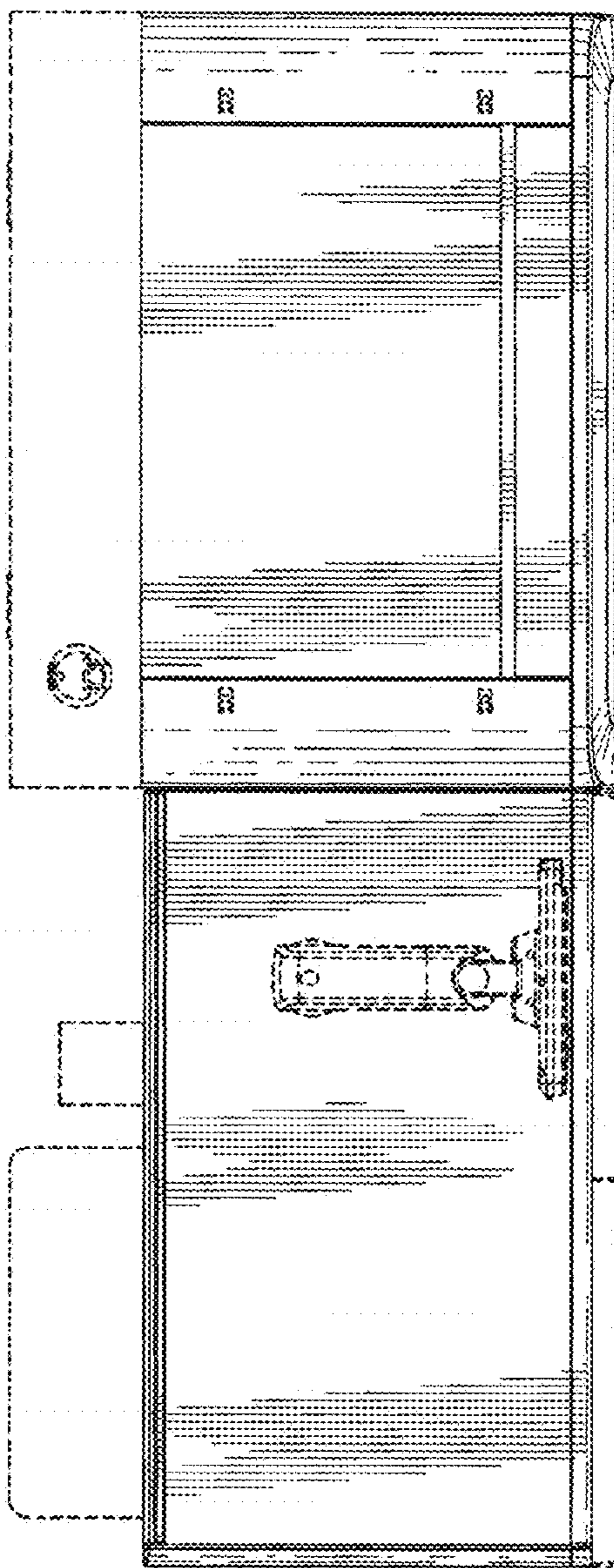


Fig. 7