



US00D763955S

(12) **United States Design Patent**  
**Kim et al.**

(10) **Patent No.:** **US D763,955 S**

(45) **Date of Patent:** **\*\* Aug. 16, 2016**

(54) **PRINTER**

(71) Applicant: **Samsung Electronics Co., Ltd.**,  
Suwon-si (KR)

(72) Inventors: **Min-Chul Kim**, Seoul (KR);  
**Seung-Wook Jeong**, Seoul (KR)

(73) Assignee: **Samsung Electronics Co., Ltd.**,  
Suwon-si (KR)

(\*\*) Term: **14 Years**

(21) Appl. No.: **29/506,276**

(22) Filed: **Oct. 14, 2014**

(30) **Foreign Application Priority Data**

Apr. 17, 2014 (KR) ..... 30-2014-0019478

(51) **LOC (10) Cl.** ..... **14-02**

(52) **U.S. Cl.**  
USPC ..... **D18/50**

(58) **Field of Classification Search**  
USPC ..... D18/4.5, 4.6, 14, 19, 36-39, 50, 54,  
D18/54.1, 55

CPC ..... B41J 3/4075; B41J 11/58; B41J 15/12;  
B41J 15/042; B41J 17/00; B41J 29/02;  
B41J 29/08

See application file for complete search history.

(56) **References Cited**

**U.S. PATENT DOCUMENTS**

D227,707 S \* 7/1973 Cargill ..... D18/54  
D374,685 S \* 10/1996 Tsuruoka ..... D18/54  
D478,618 S \* 8/2003 Obara ..... D18/54  
D582,971 S \* 12/2008 Smith ..... D18/50  
D586,383 S \* 2/2009 Takatani ..... D18/50  
D681,720 S \* 5/2013 Inada ..... D18/50

D681,722 S \* 5/2013 Seki ..... D18/50  
D720,803 S \* 1/2015 Inada ..... D18/50  
D732,606 S \* 6/2015 Chung ..... D18/50

\* cited by examiner

*Primary Examiner* — Cathy Anne MacCormac

(74) *Attorney, Agent, or Firm* — NSIP Law

(57) **CLAIM**

We claim the ornamental design for a printer, as shown and described.

**DESCRIPTION**

FIG. 1 is a front perspective view of a printer showing our new design;

FIG. 2 is a front view thereof;

FIG. 3 is a rear view thereof;

FIG. 4 is a left-side view thereof;

FIG. 5 is a right-side view thereof;

FIG. 6 is a top view thereof;

FIG. 7 is a bottom view thereof;

FIG. 8 is another right-side view, showing the printer in an alternate position;

FIG. 9 is an enlarged partial view of the encircled portion in FIG. 4;

FIG. 10 is an enlarged partial view of the encircled portion in FIG. 5; and,

FIG. 11 is an enlarged partial view of the encircled portion in FIG. 6.

The broken lines in the figures depict environmental subject matter and form no part of the claimed design.

The dot-dot-dash broken lines encircling portions of the claimed design that have been enlarged in FIGS. 9-11 form no part of the claimed design.

**1 Claim, 7 Drawing Sheets**

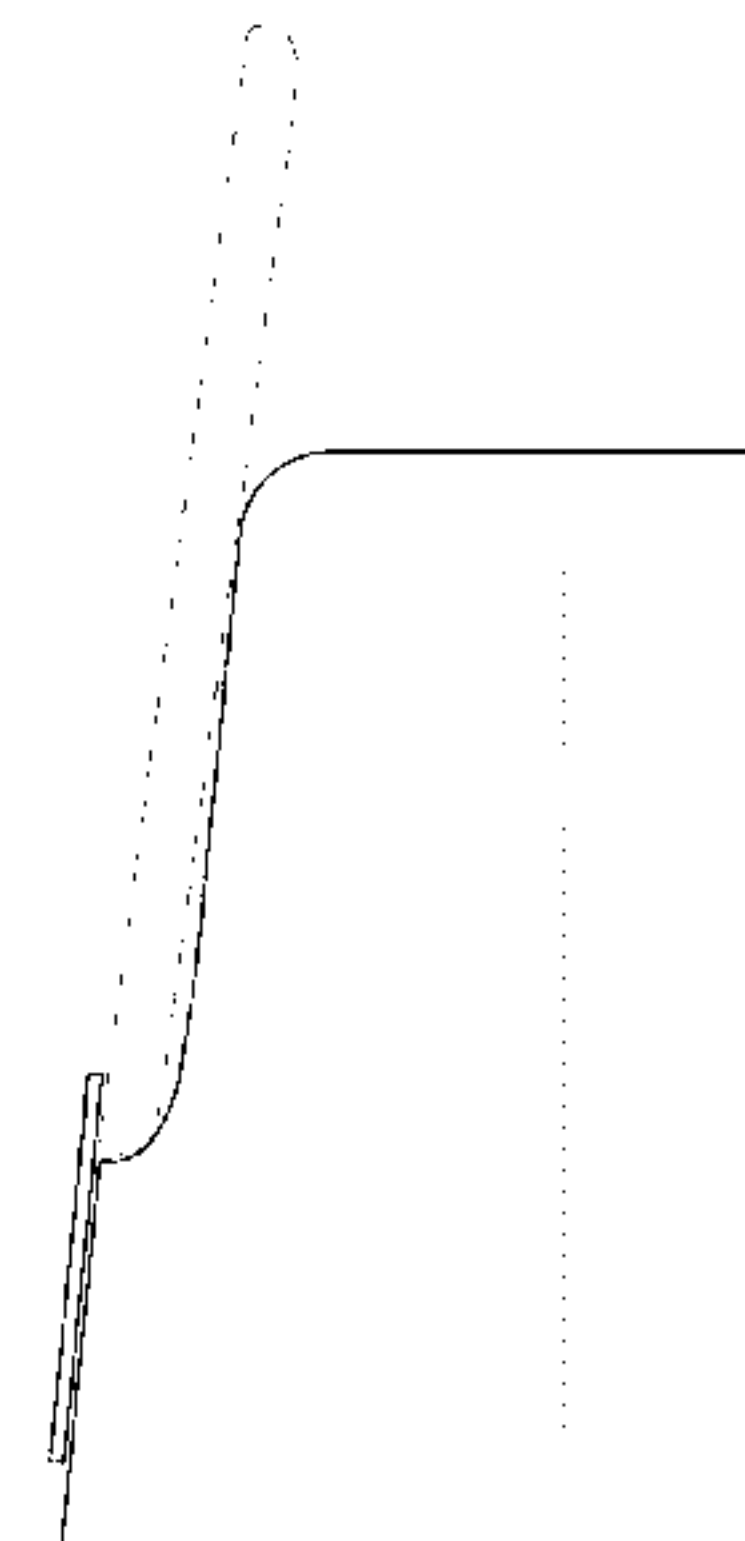
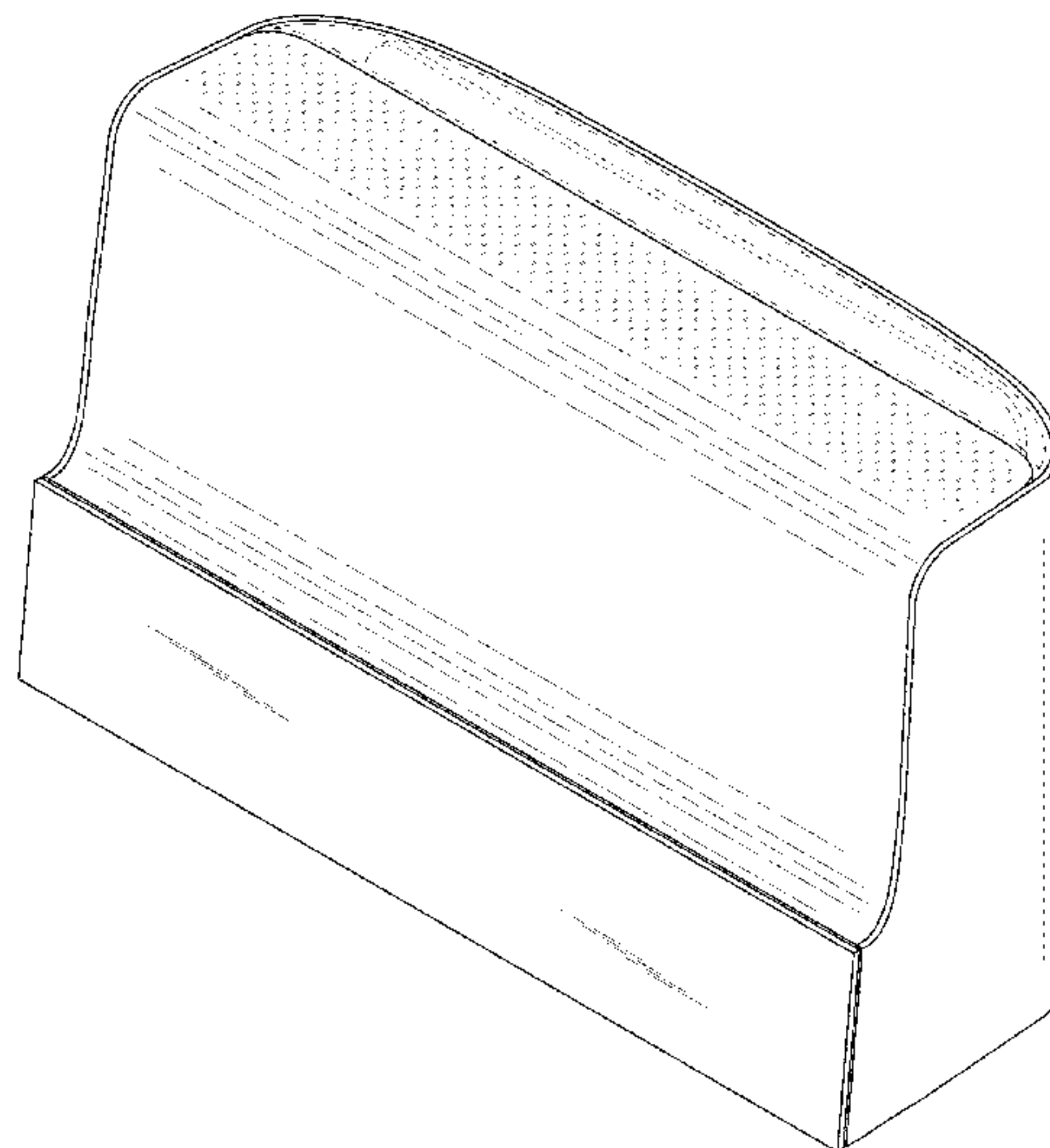


FIG.1

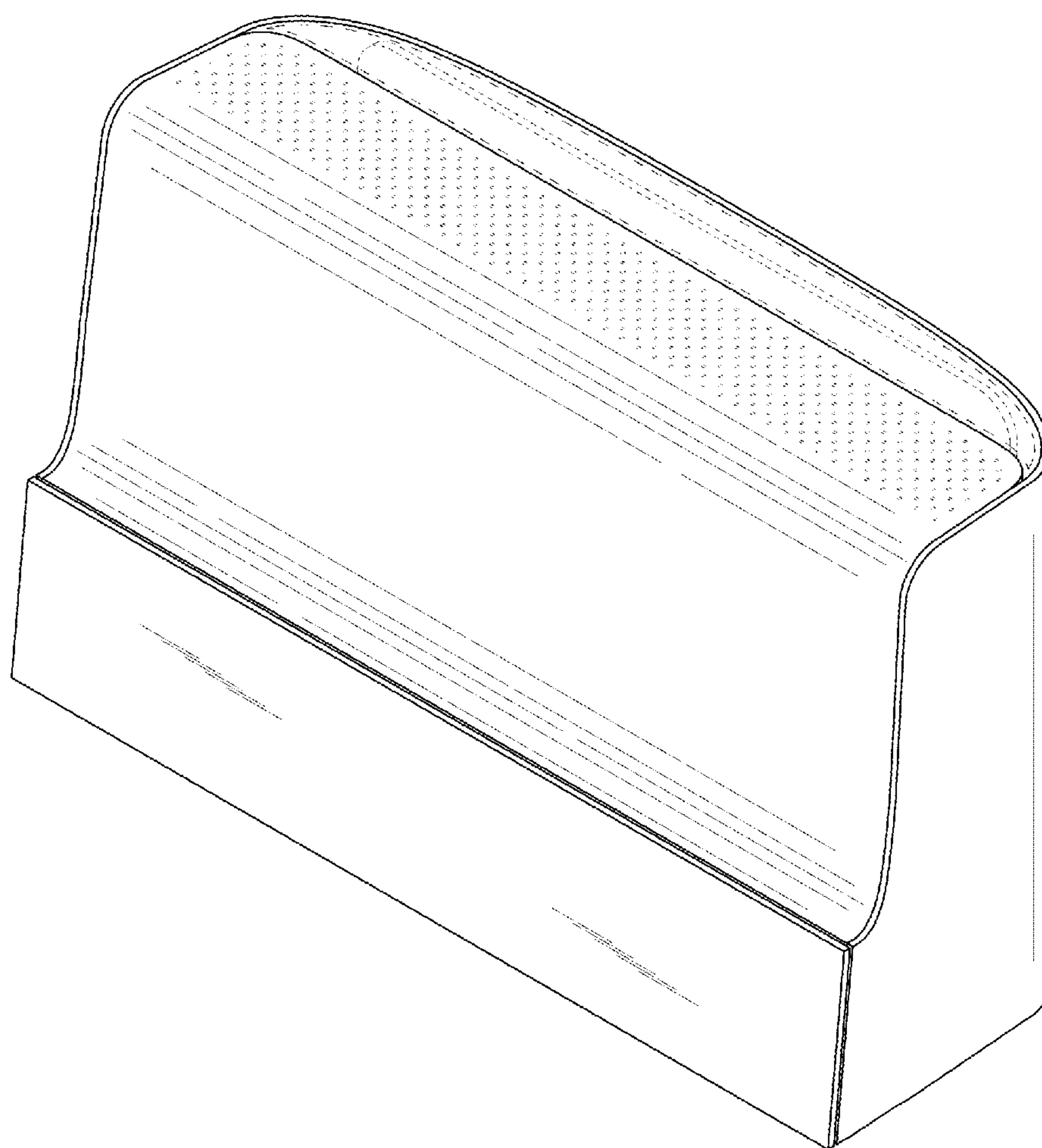


FIG.2

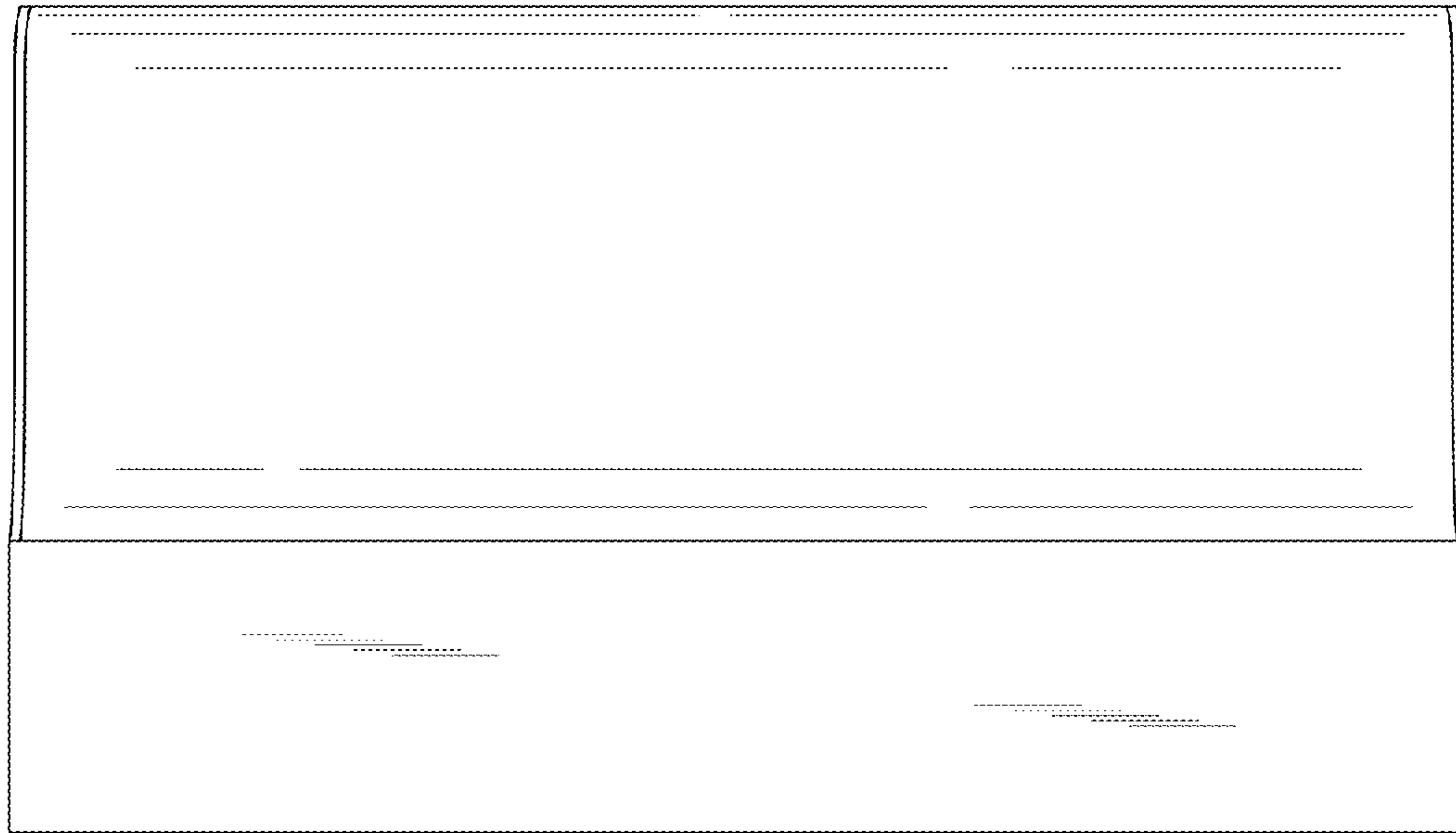


FIG.3

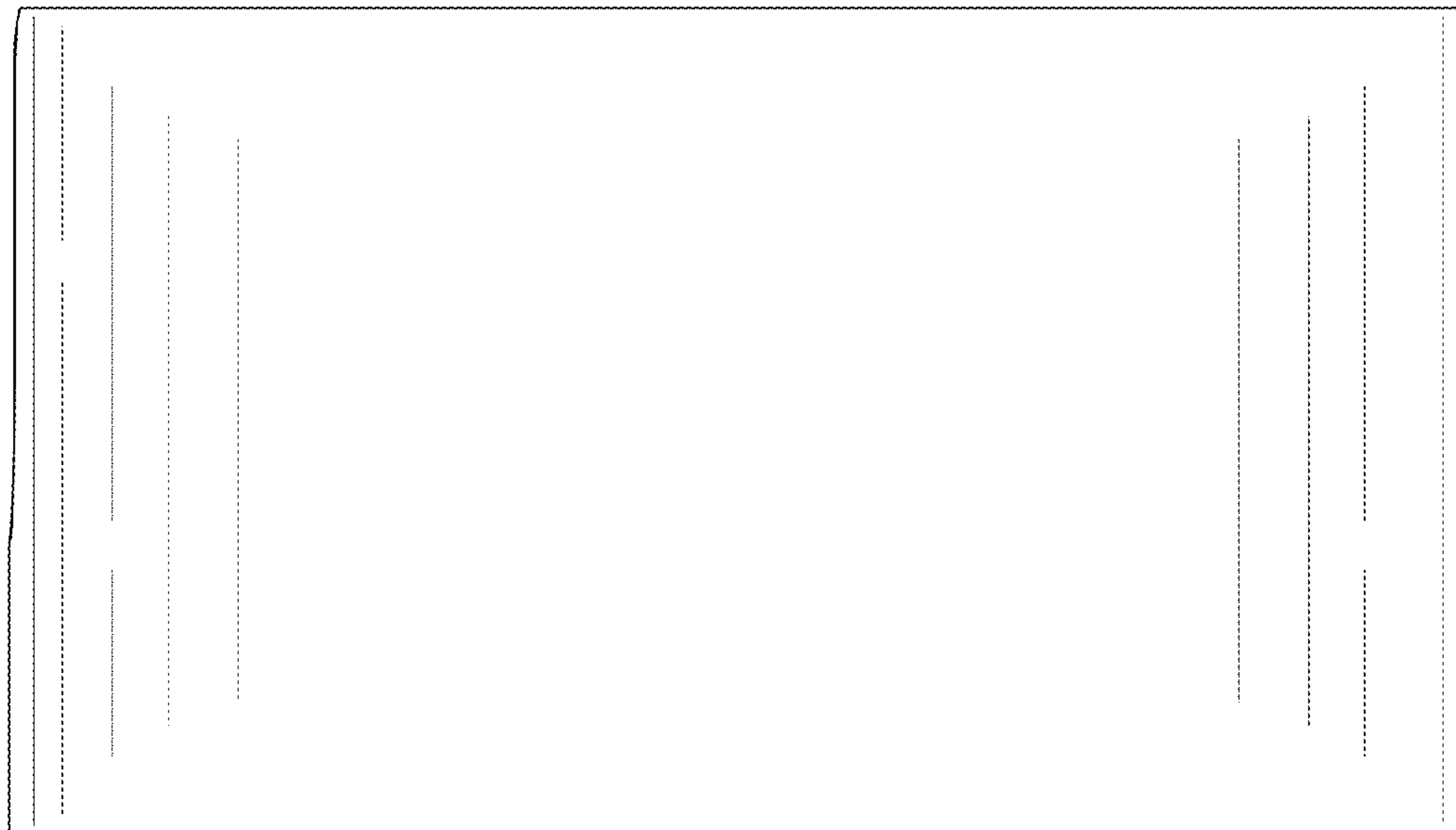


FIG.4

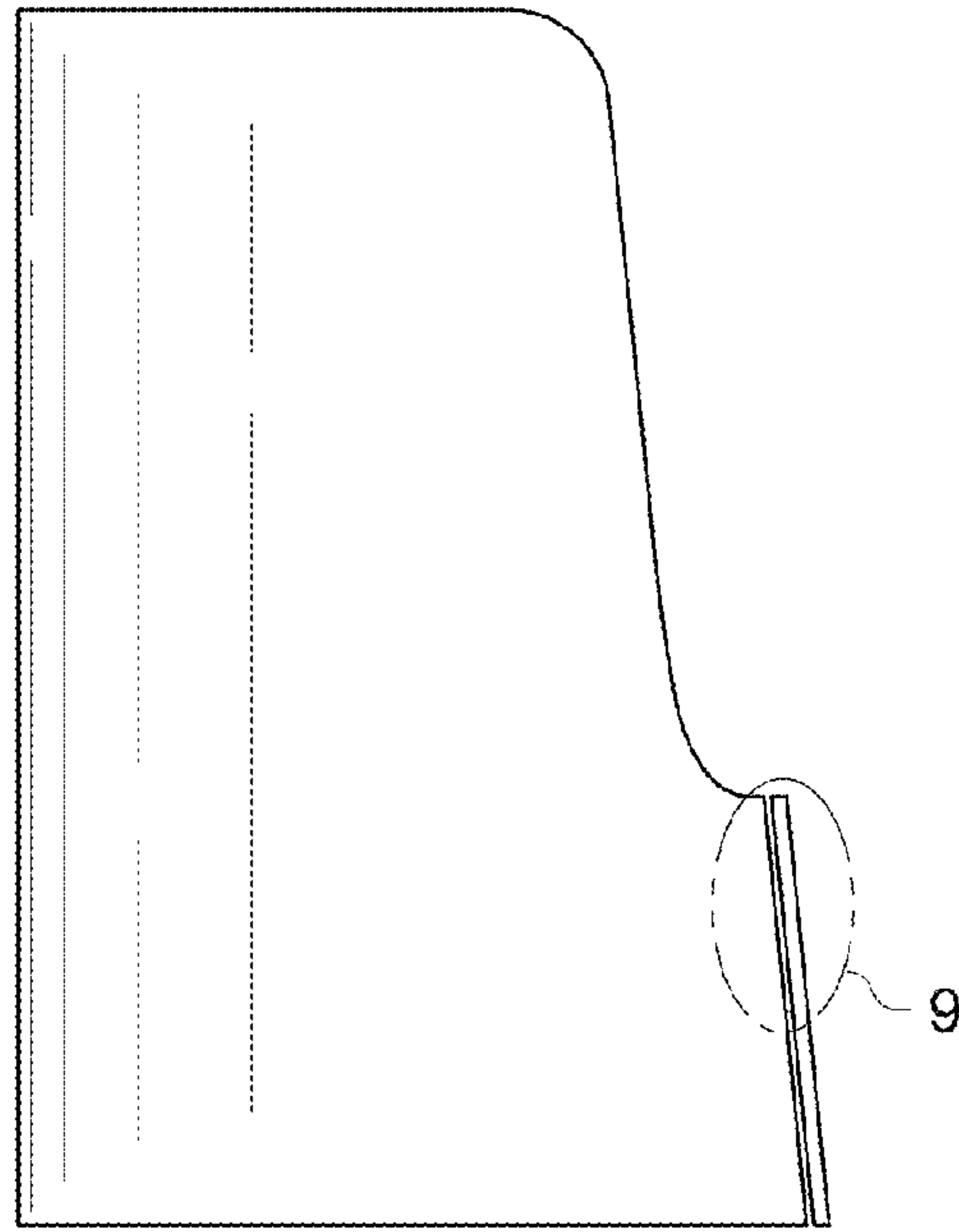


FIG.5

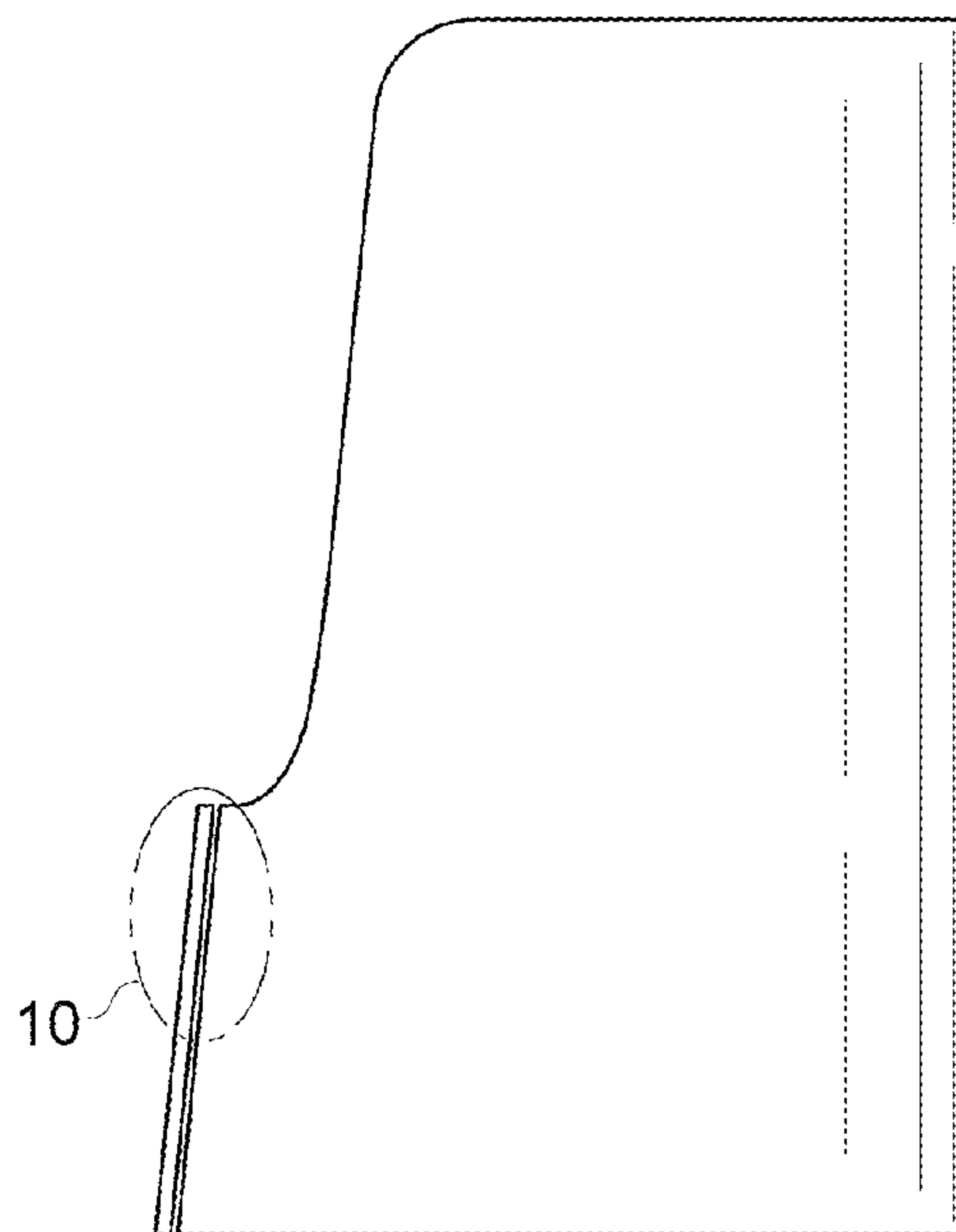


FIG.6

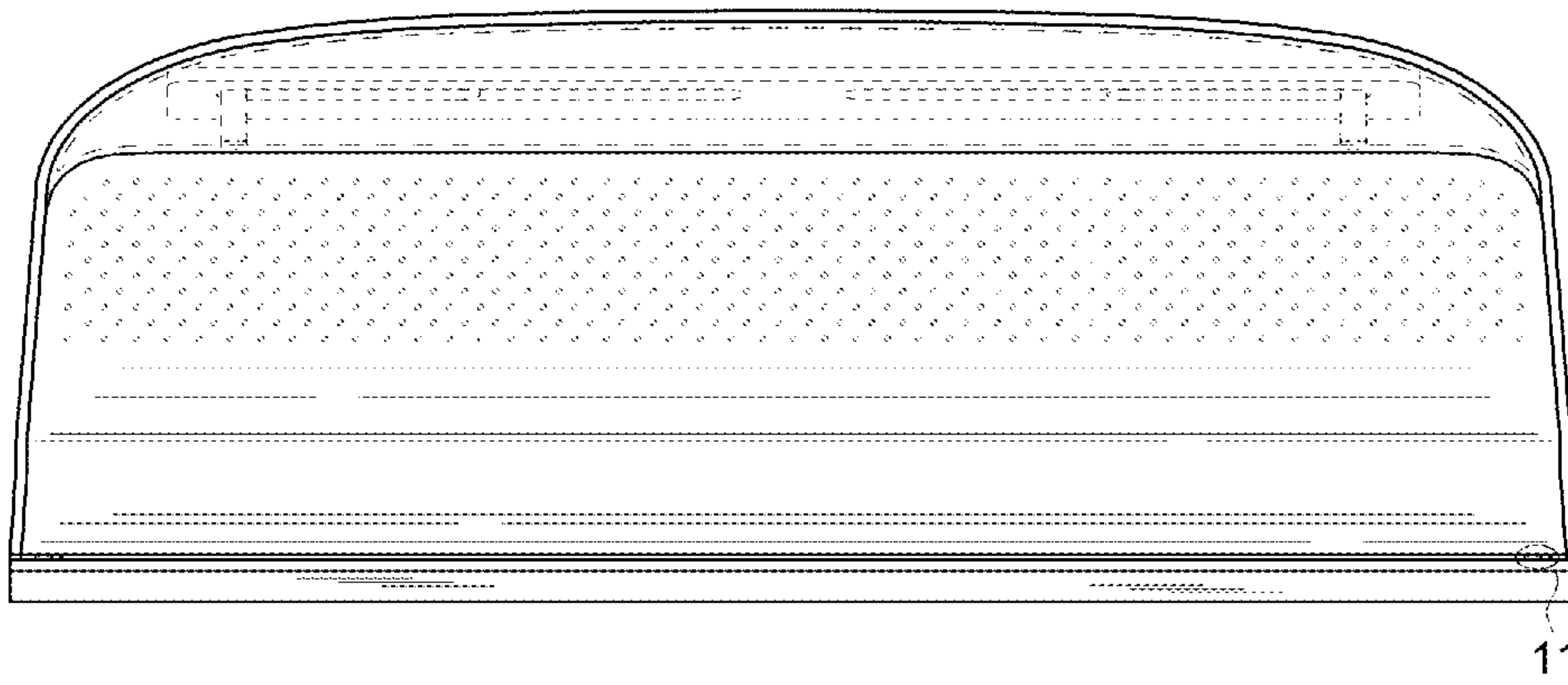


FIG.7

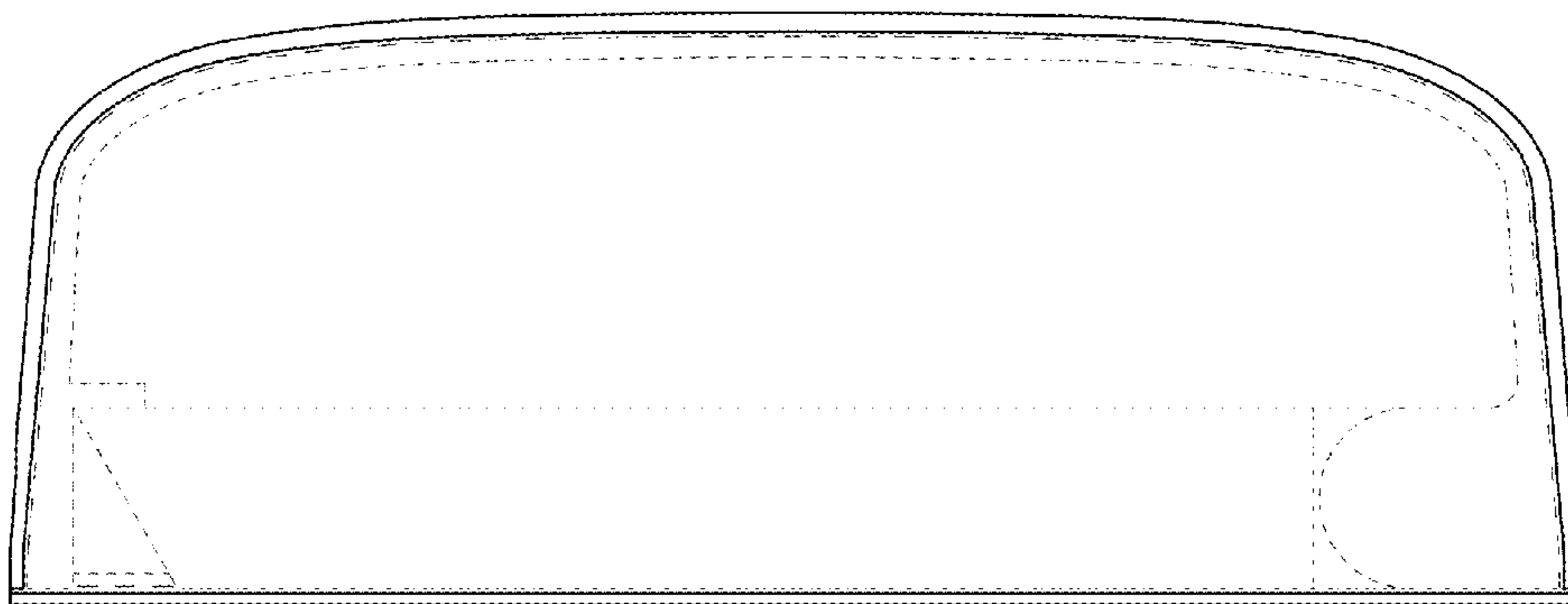


FIG.8

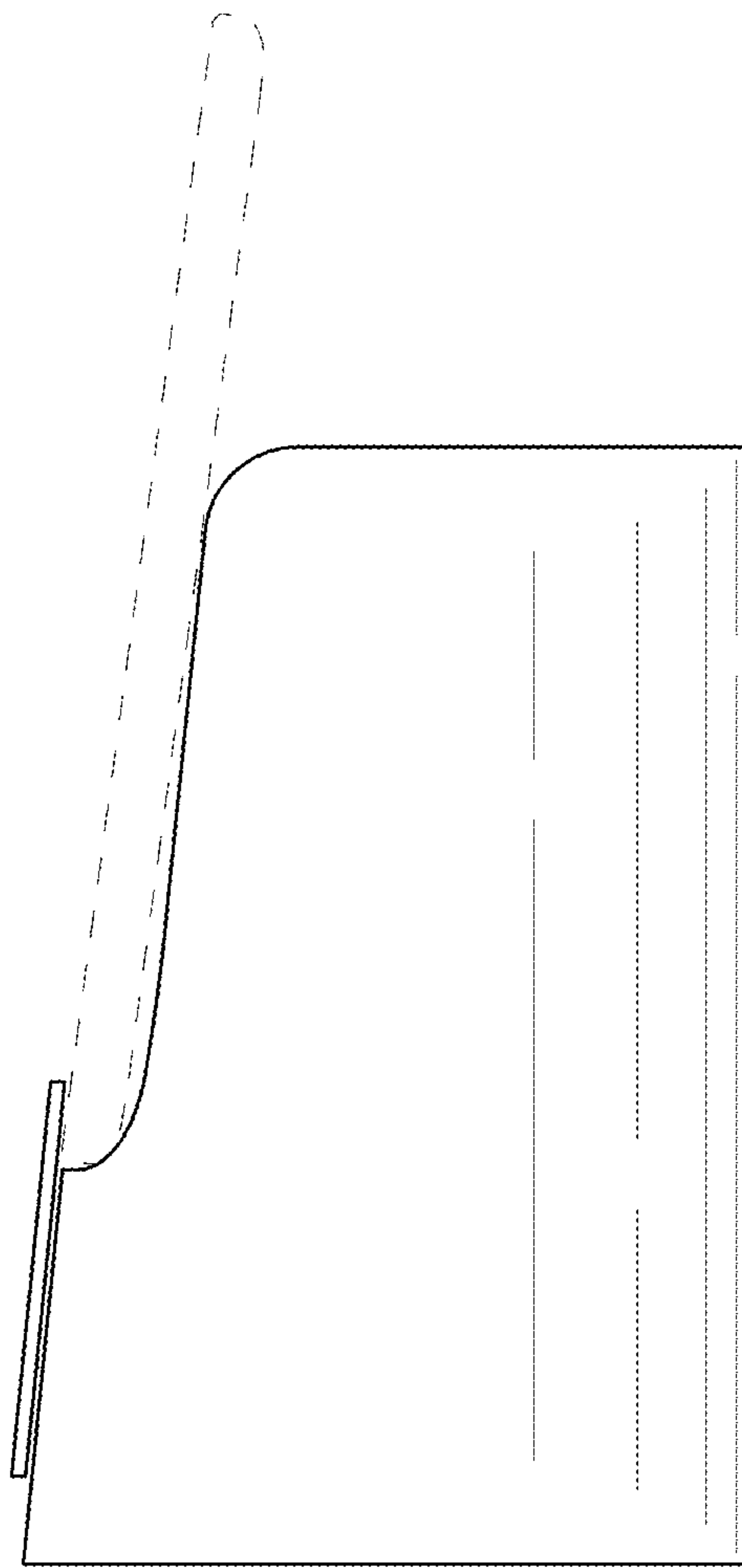


FIG.9

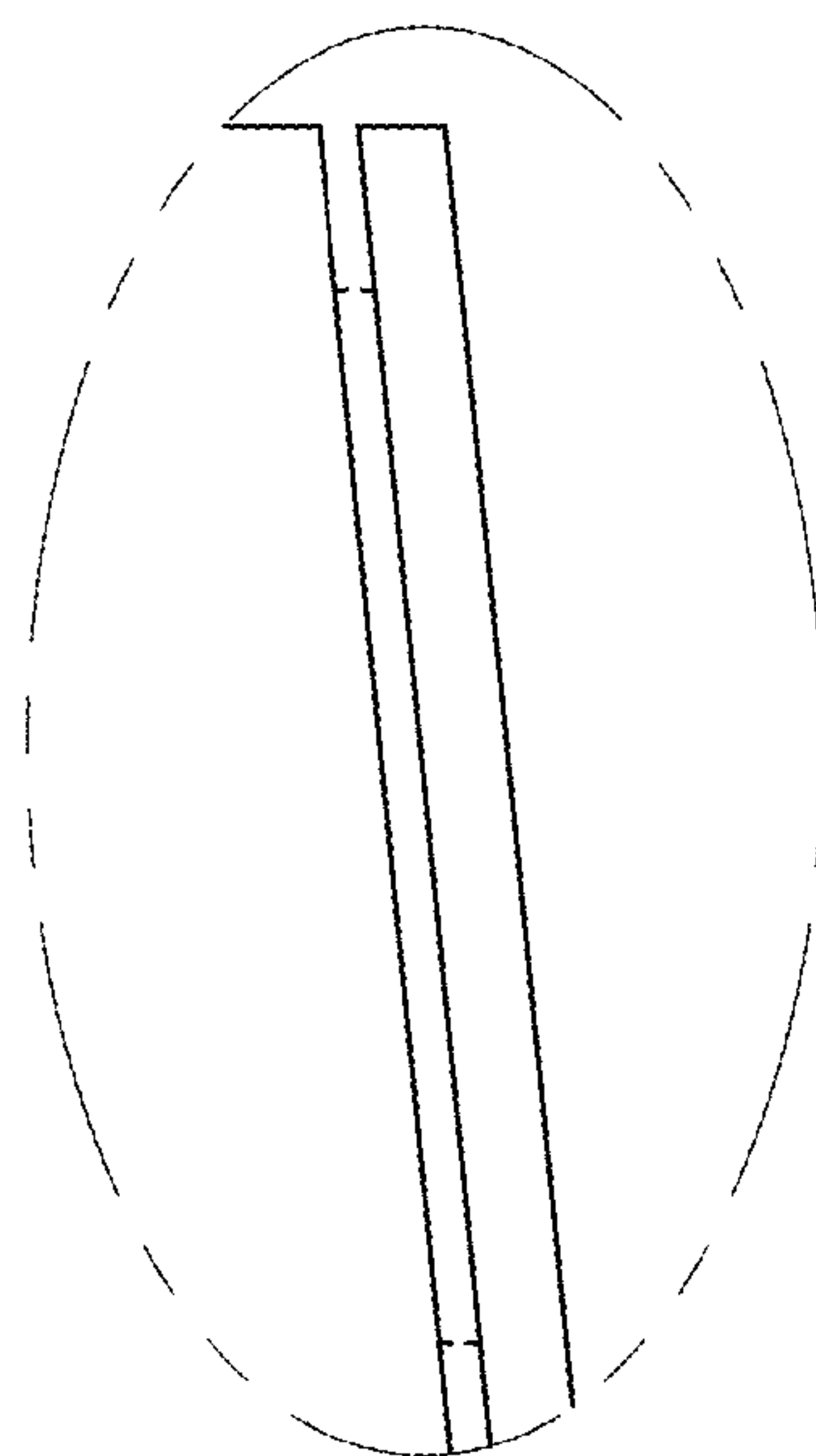


FIG.10

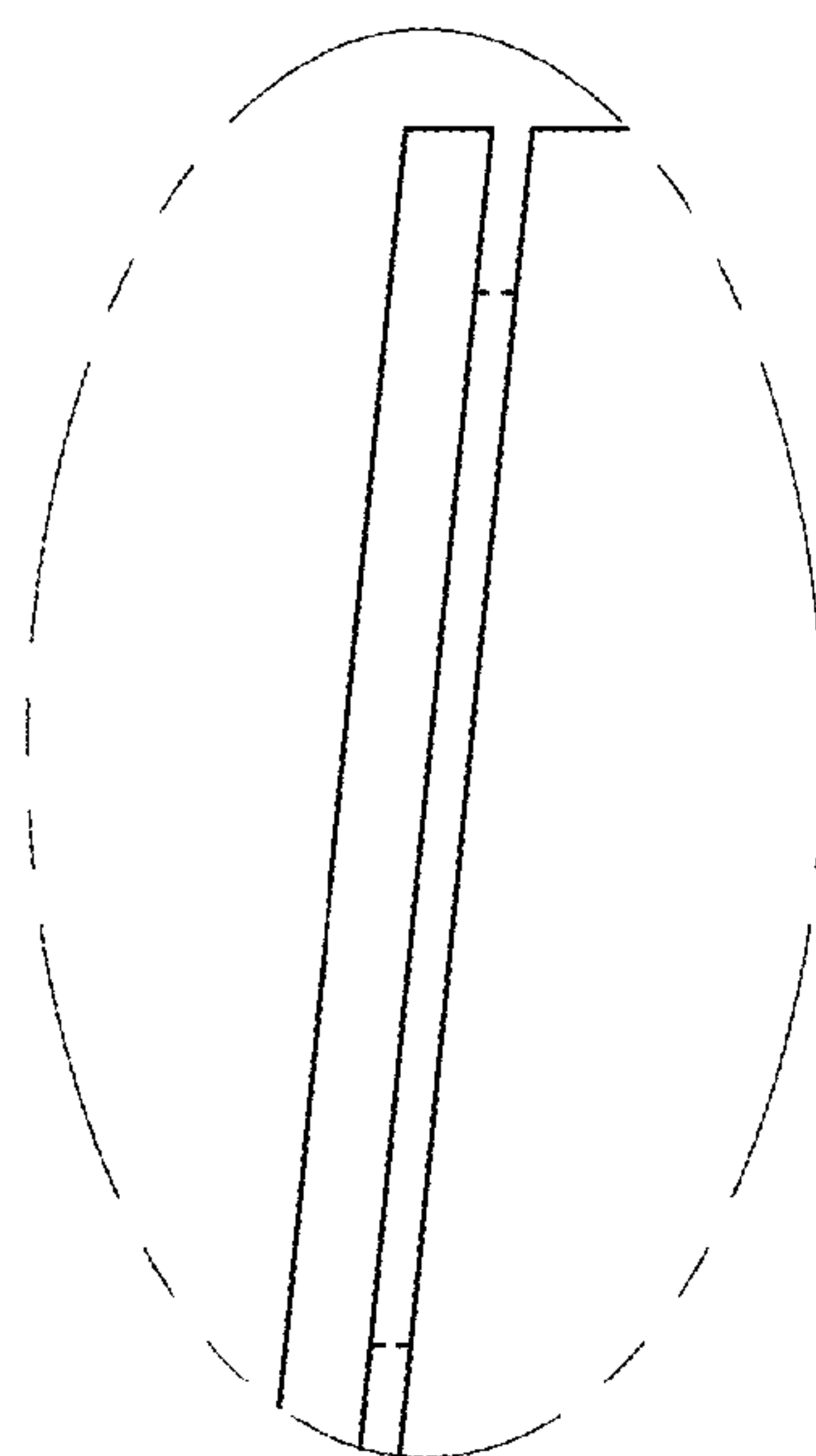


FIG.11

