



US00D763954S

(12) **United States Design Patent**  
**Kim et al.**

(10) **Patent No.:** **US D763,954 S**

(45) **Date of Patent:** **\*\* Aug. 16, 2016**

(54) **PRINTER**

(71) Applicant: **Samsung Electronics Co., Ltd.**,  
Suwon-si (KR)

(72) Inventors: **Ha-Kyung Kim**, Seoul (KR);  
**Seung-Wook Jeong**, Seoul (KR)

(73) Assignee: **Samsung Electronics Co., Ltd.**,  
Suwon-si (KR)

(\*\*) Term: **14 Years**

(21) Appl. No.: **29/504,781**

(22) Filed: **Oct. 9, 2014**

(30) **Foreign Application Priority Data**

Apr. 10, 2014 (KR) ..... 30-2014-0018031

(51) **LOC (10) Cl.** ..... **14-02**

(52) **U.S. Cl.**  
USPC ..... **D18/50**

(58) **Field of Classification Search**  
USPC ..... D18/4.4, 4.5, 4.6, 14, 19, 36-39, 50, 54,  
D18/54.1, 55  
CPC ..... B41J 3/4075; B41J 11/58; B41J 15/12;  
B41J 15/042; B41J 17/00; B41J 29/02;  
B41J 29/08  
See application file for complete search history.

(56) **References Cited**

U.S. PATENT DOCUMENTS

D216,442 S \* 1/1970 Stephens ..... D18/36  
D240,080 S \* 5/1976 Brown ..... D18/36  
D394,452 S \* 5/1998 Iwamoto ..... D18/54  
D430,597 S \* 9/2000 Ishiguro ..... D18/55  
6,367,996 B1 \* 4/2002 Edwards ..... B41J 13/0027  
400/693

D467,963 S \* 12/2002 Miyahara ..... D18/54  
D477,019 S \* 7/2003 Dwyer ..... D18/55  
D489,402 S \* 5/2004 Yamano ..... D18/55  
D650,387 S \* 12/2011 Iwatsu ..... D14/422  
D669,081 S \* 10/2012 Iwai ..... D14/422  
D682,329 S \* 5/2013 Day ..... D15/146  
D689,865 S \* 9/2013 Kitamura ..... D14/422  
D694,792 S \* 12/2013 Day ..... D15/146  
D719,168 S \* 12/2014 Tani ..... D14/422  
D723,562 S \* 3/2015 Inada ..... D14/422

\* cited by examiner

*Primary Examiner* — Cathy Anne MacCormac

(74) *Attorney, Agent, or Firm* — NSIP Law

(57) **CLAIM**

We claim the ornamental design for a printer, as shown and described.

**DESCRIPTION**

FIG. 1 is a front perspective view of a printer showing our new design;  
FIG. 2 is a front view thereof;  
FIG. 3 is a rear view thereof;  
FIG. 4 is a left-side view thereof;  
FIG. 5 is a right-side view thereof;  
FIG. 6 is a top view thereof;  
FIG. 7 is a bottom view thereof;  
FIG. 8 is another right-side view thereof;  
FIG. 9 is an enlarged view of the encircled portion in FIG. 1; and,  
FIG. 10 is an enlarged view of the encircled portion in FIG. 2.  
The broken lines in the figures depict environmental subject matter and form no part of the claimed design.  
The dot-dot-dash broken lines encircling portions of the claimed design which are illustrated in enlargements form no part of the claimed design.

**1 Claim, 6 Drawing Sheets**

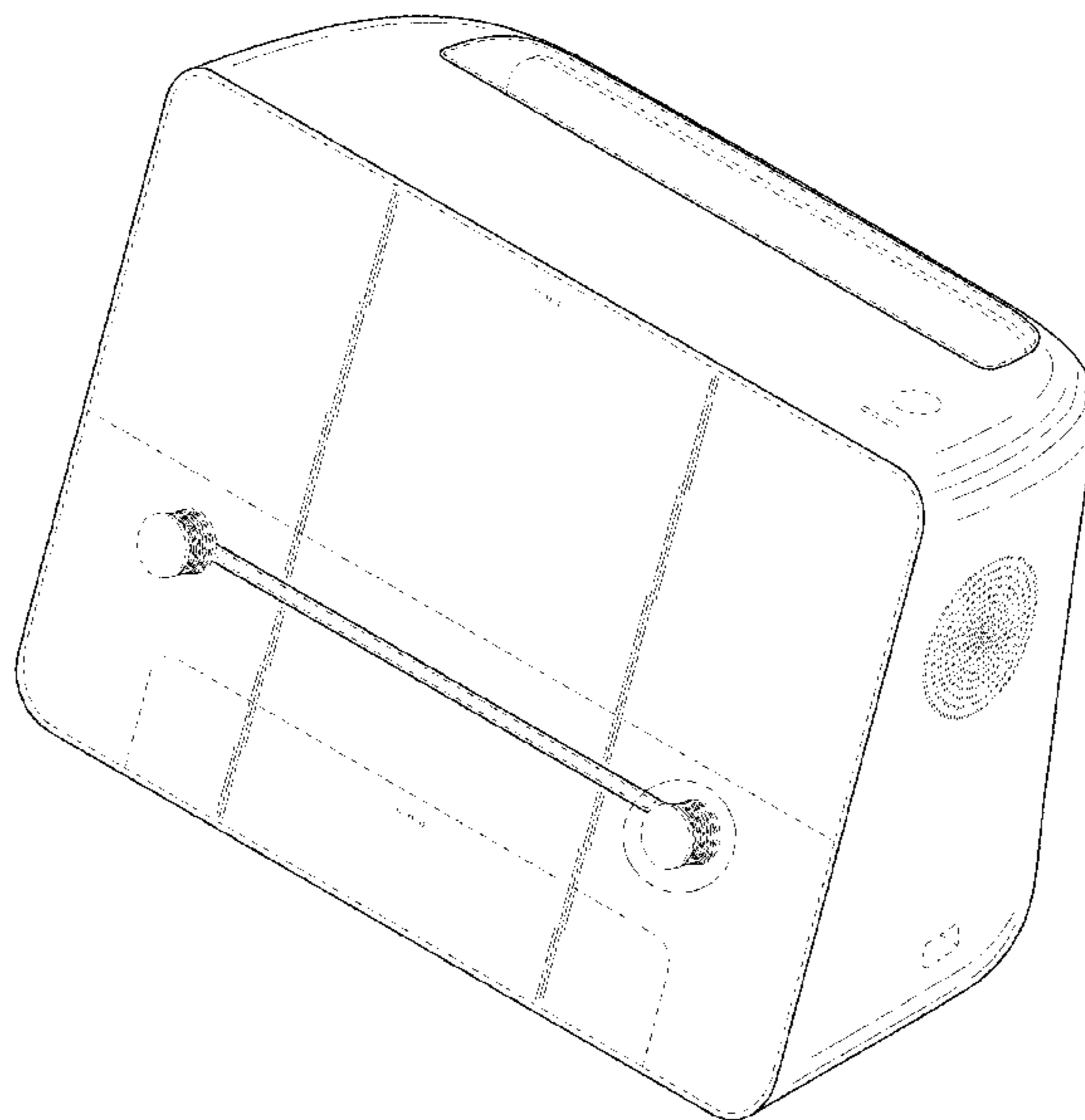


FIG.1

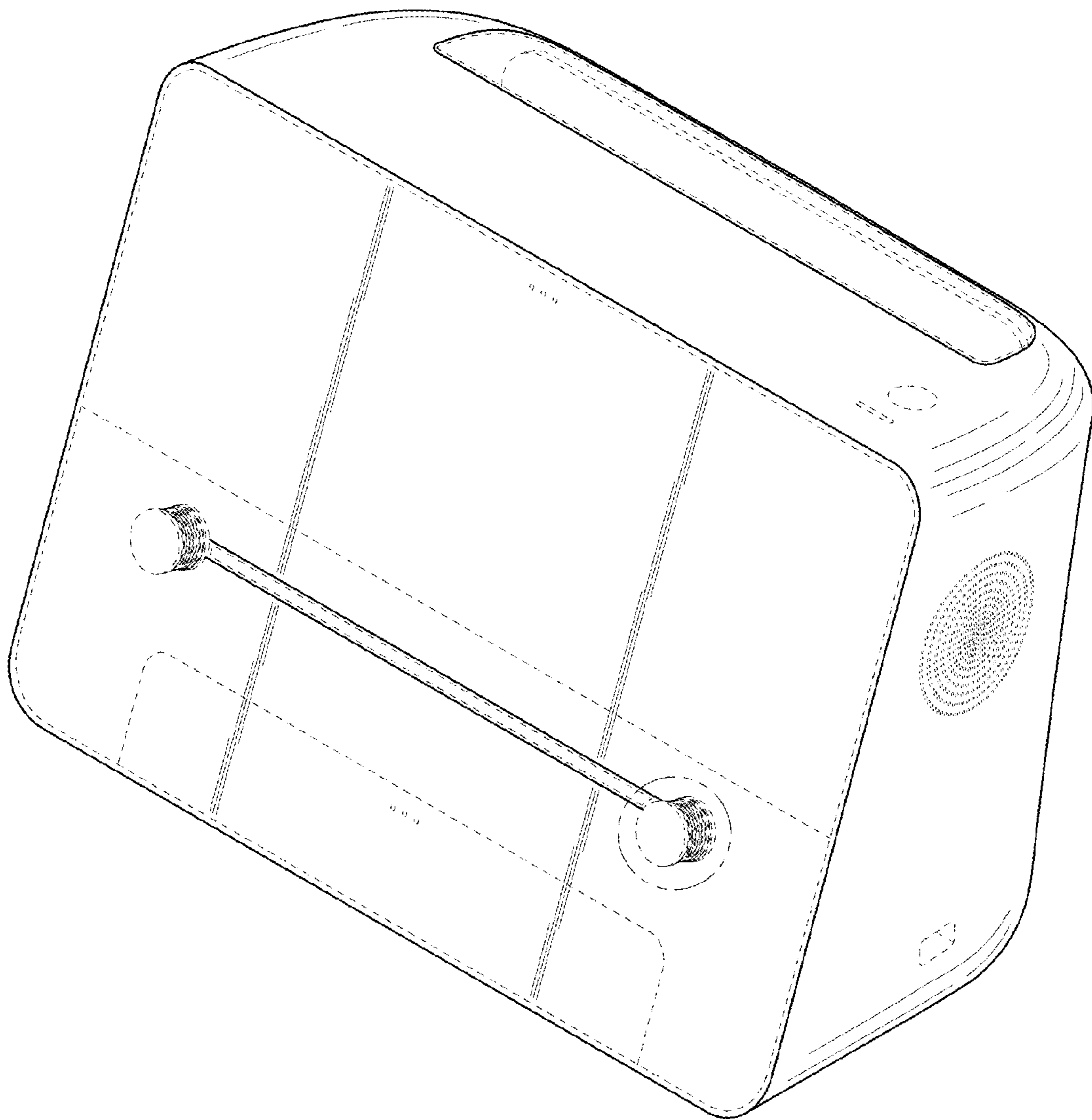


FIG.2

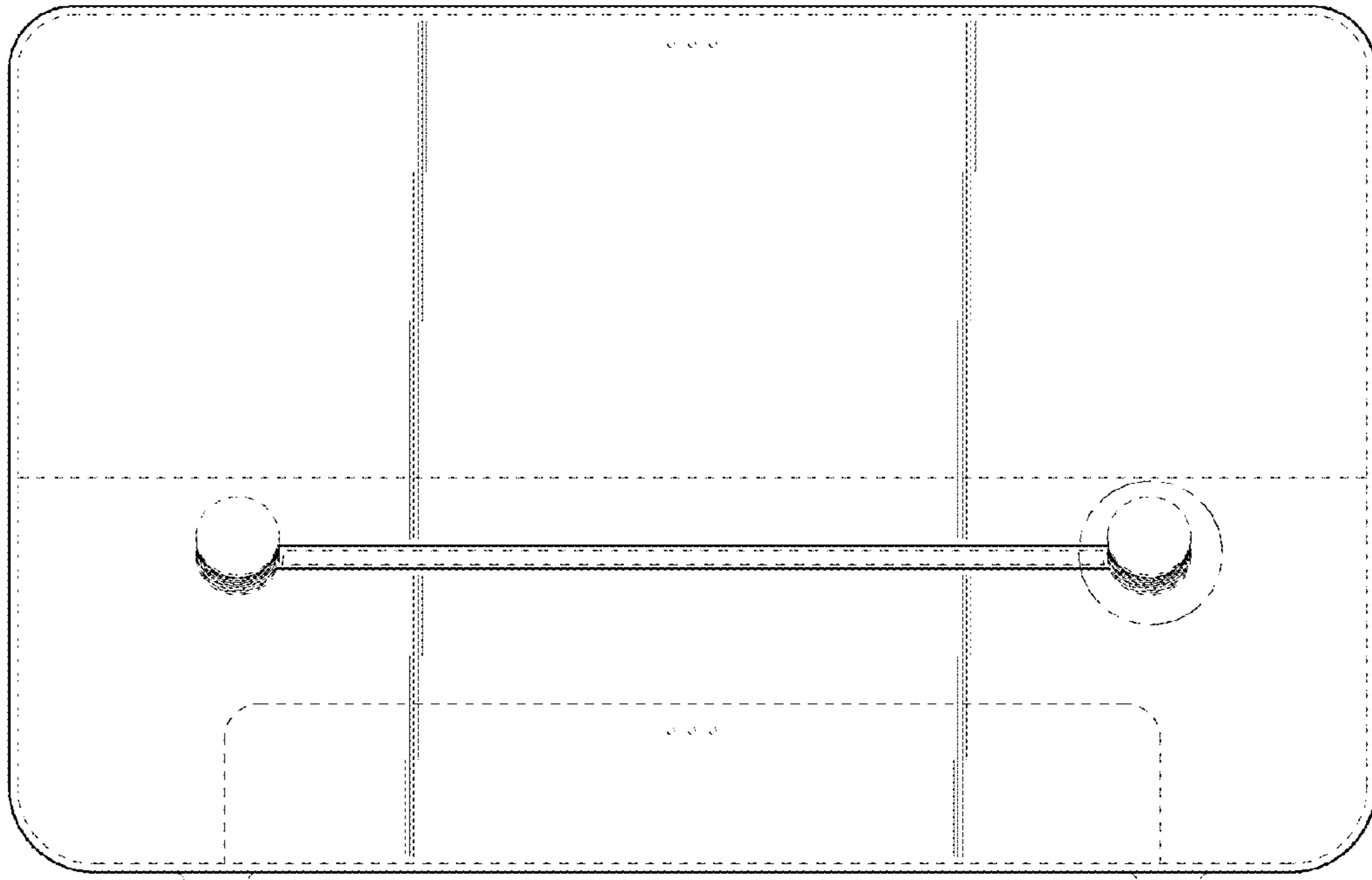


FIG.3

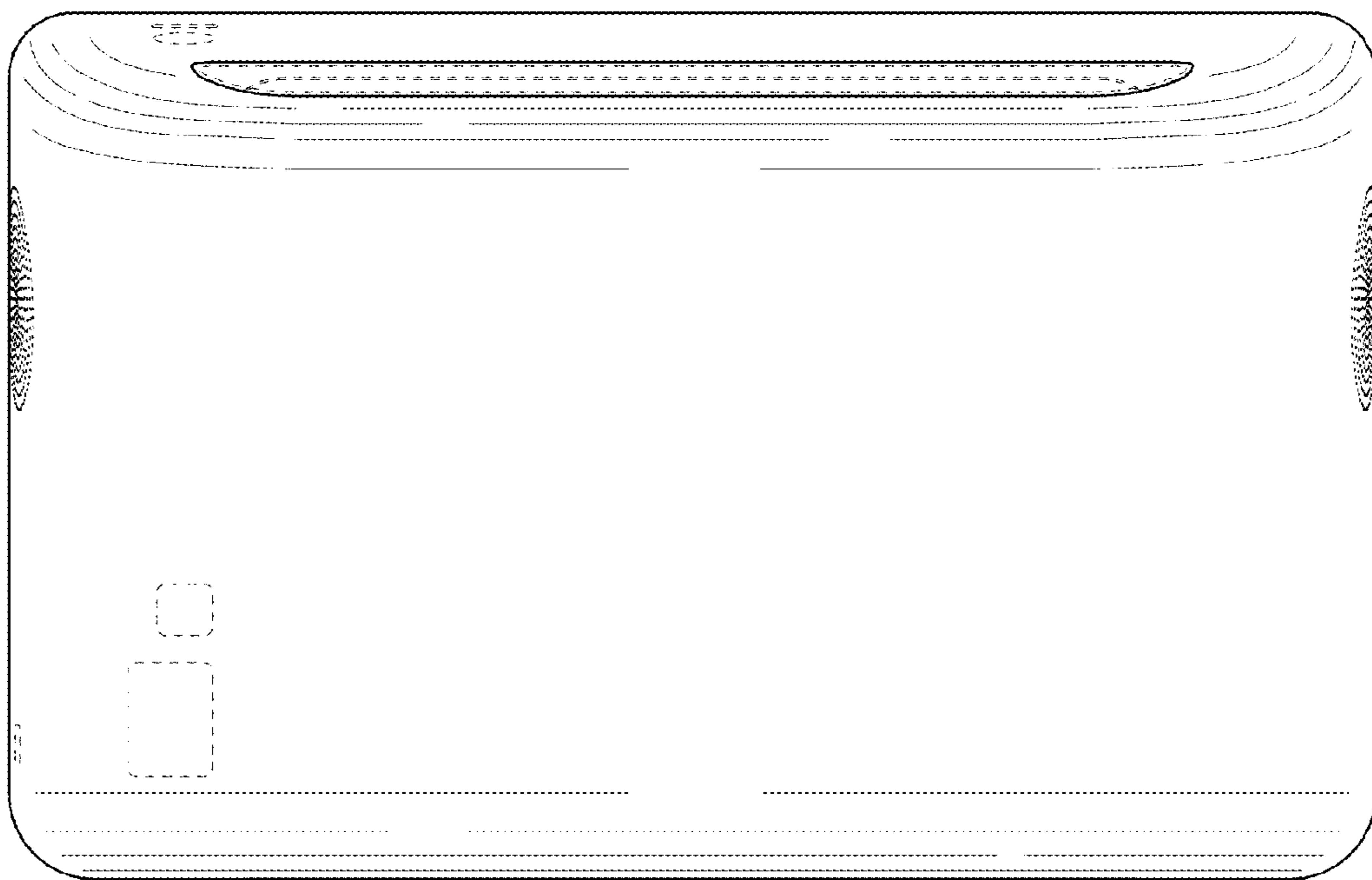


FIG.4

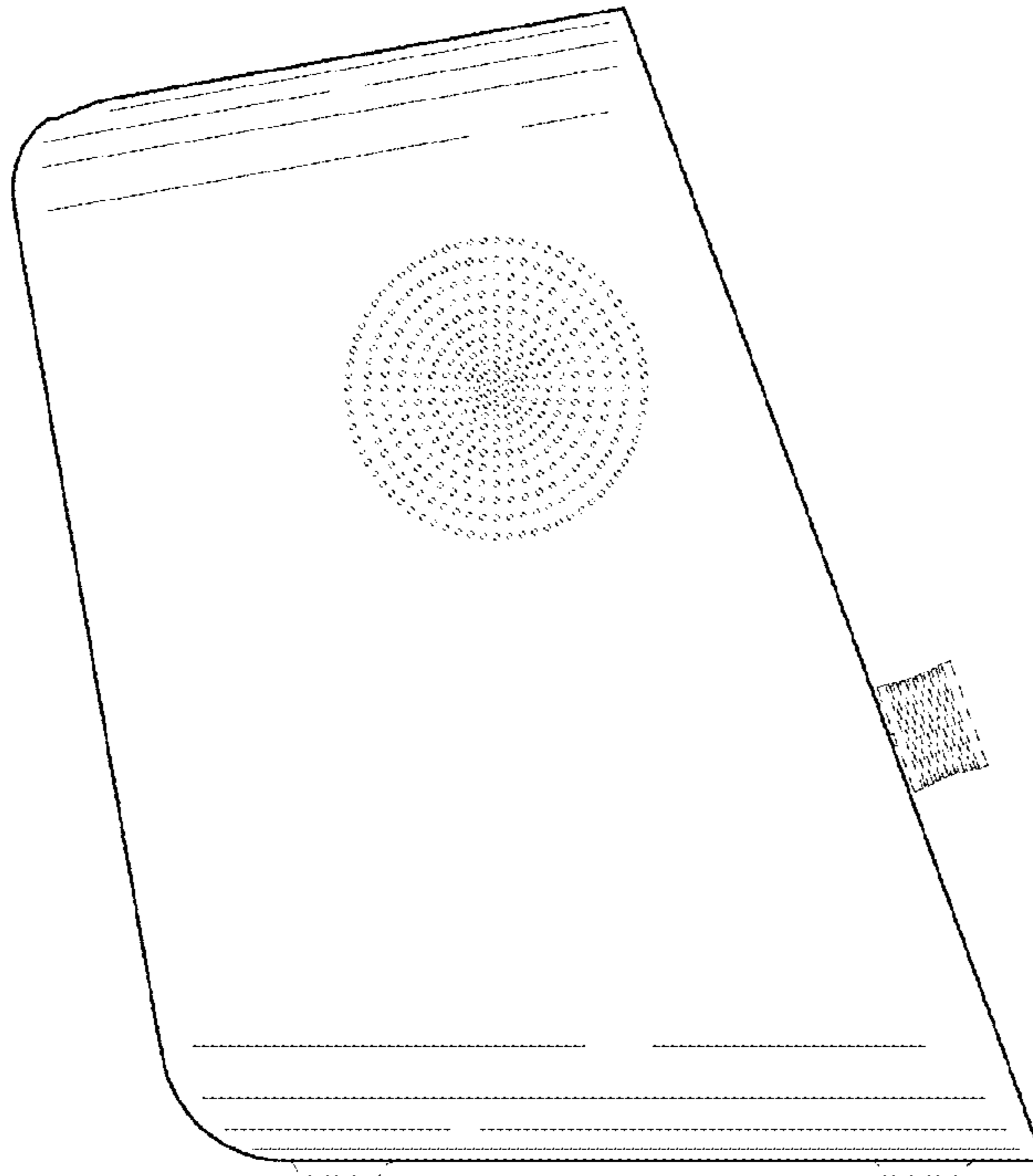


FIG.5

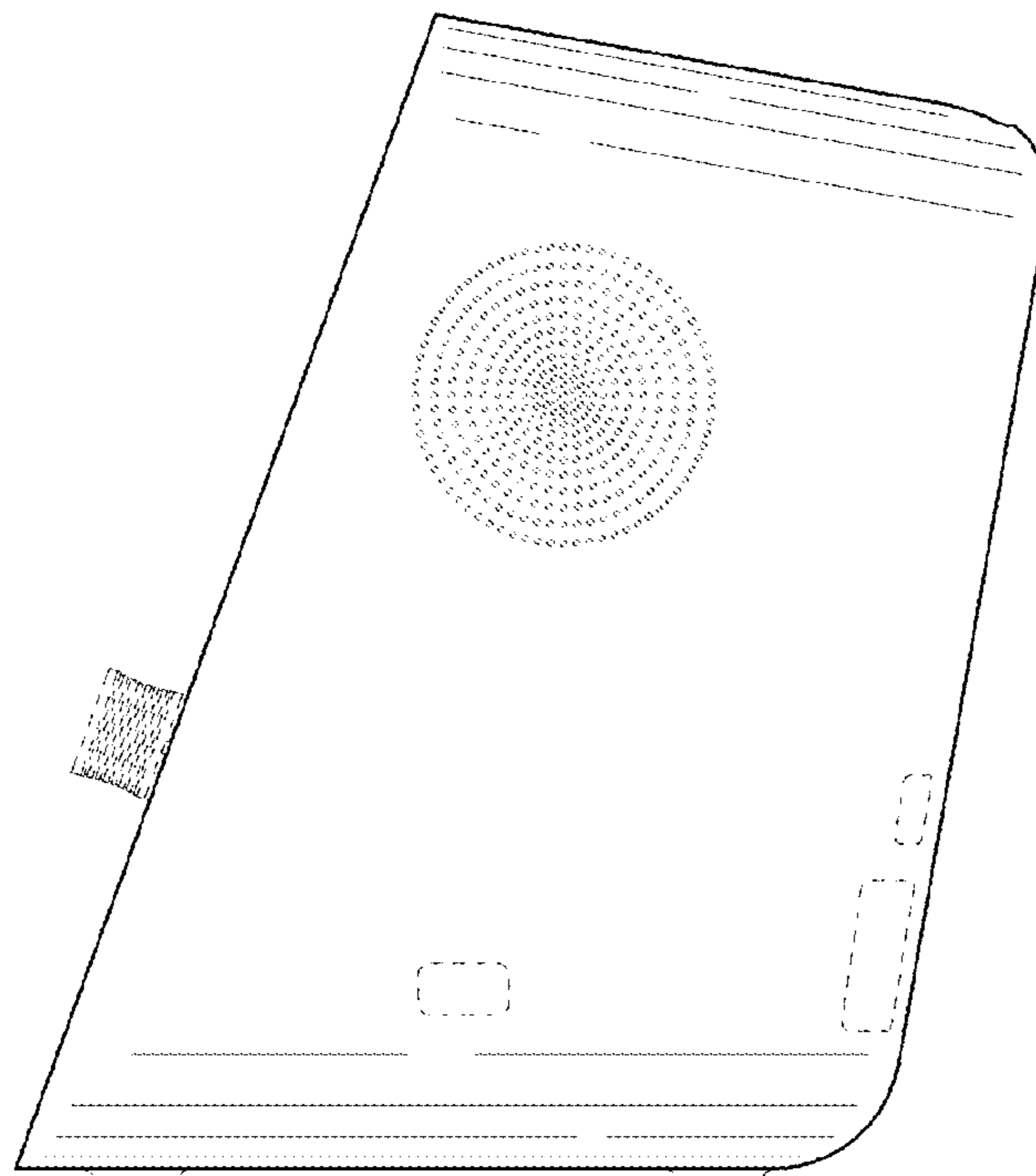


FIG.6

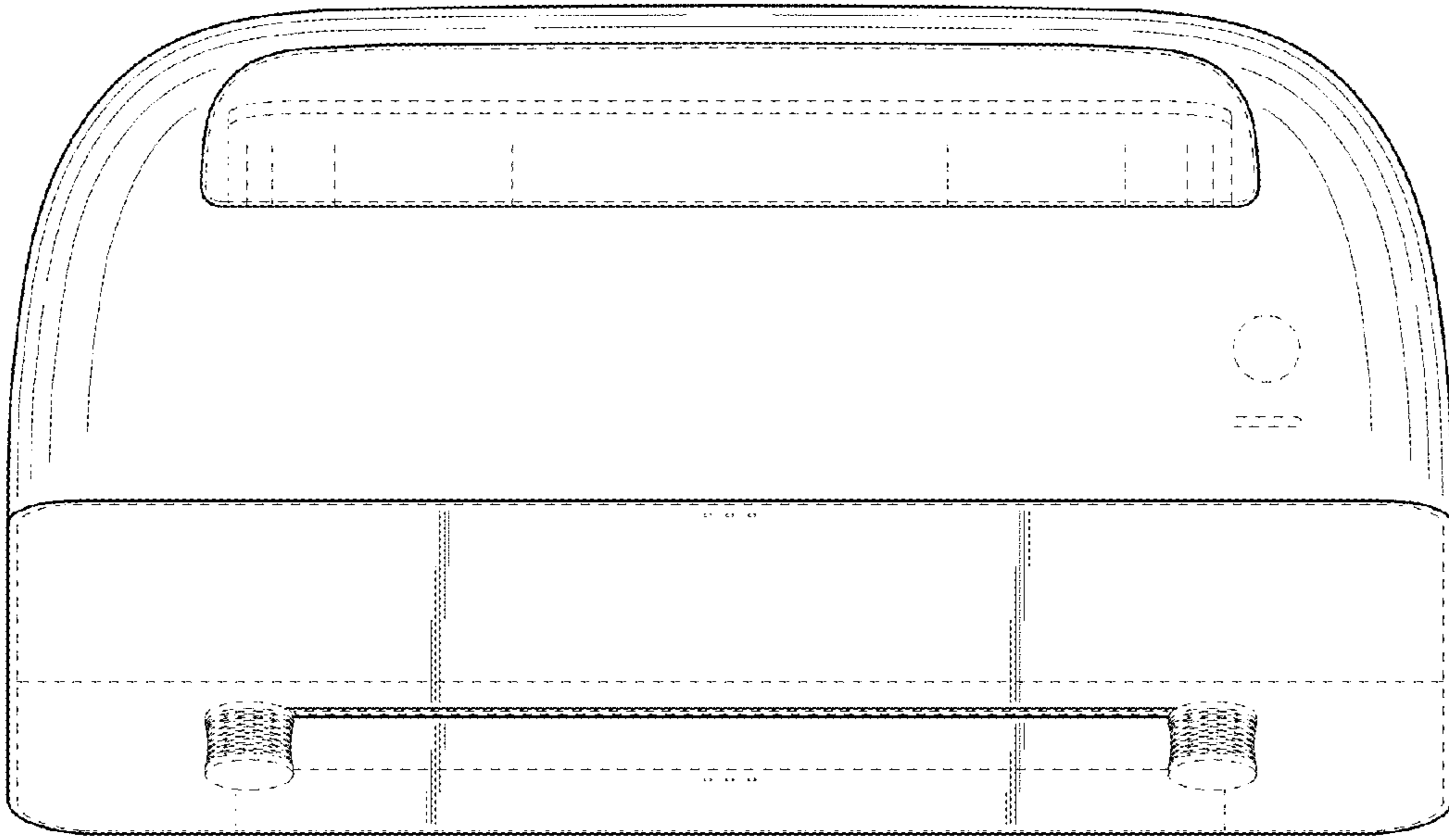


FIG.7

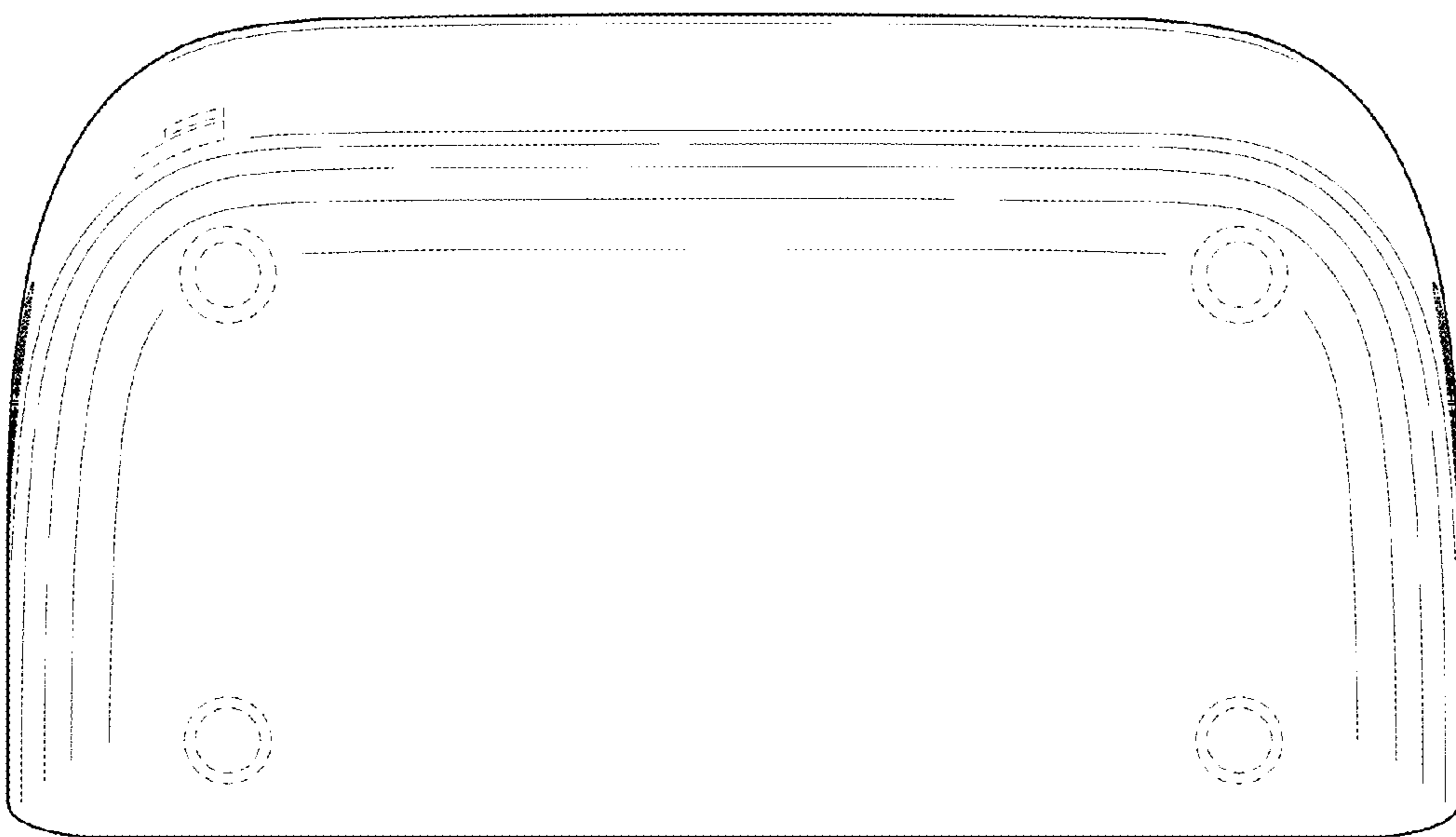


FIG.8

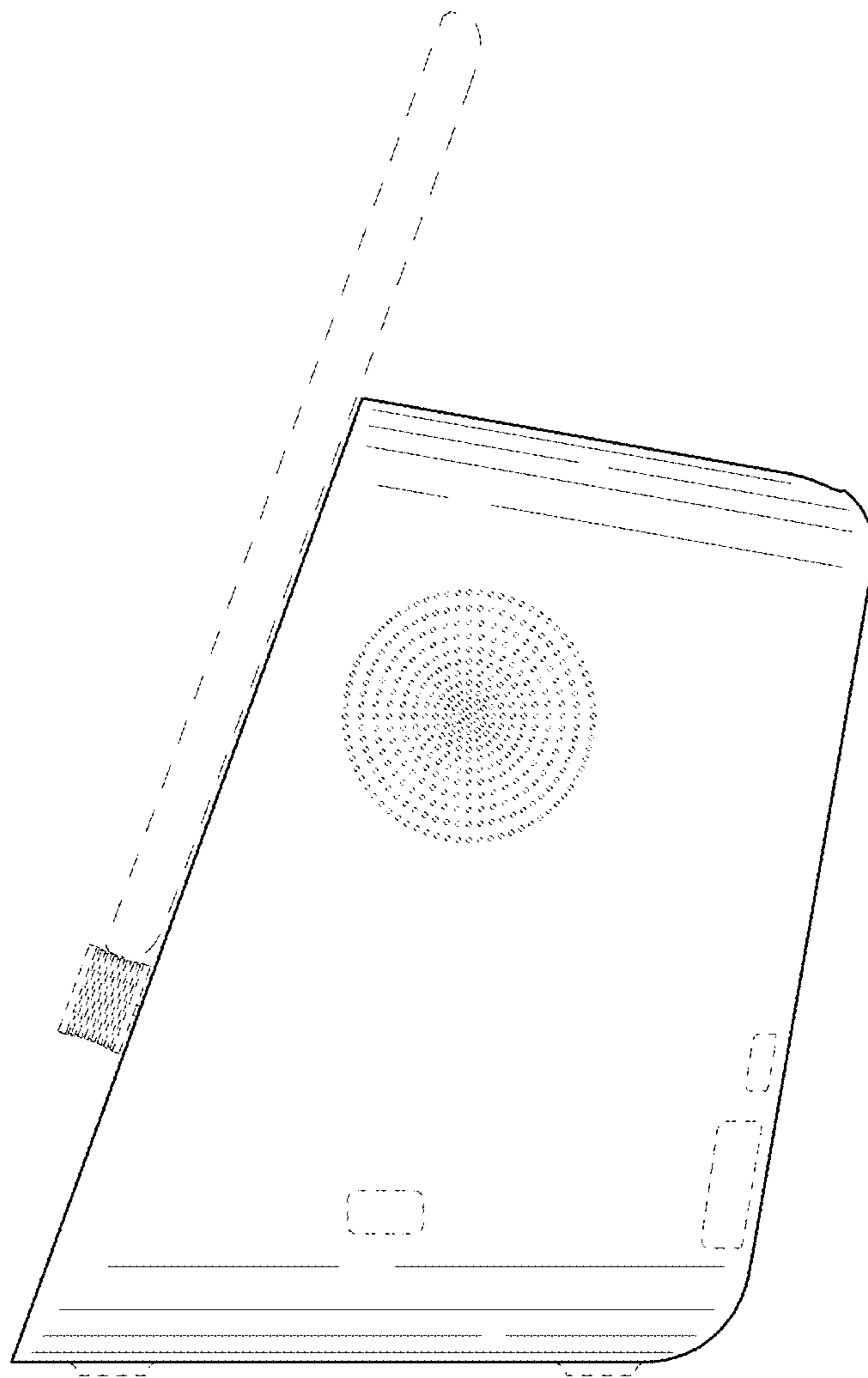


FIG.9

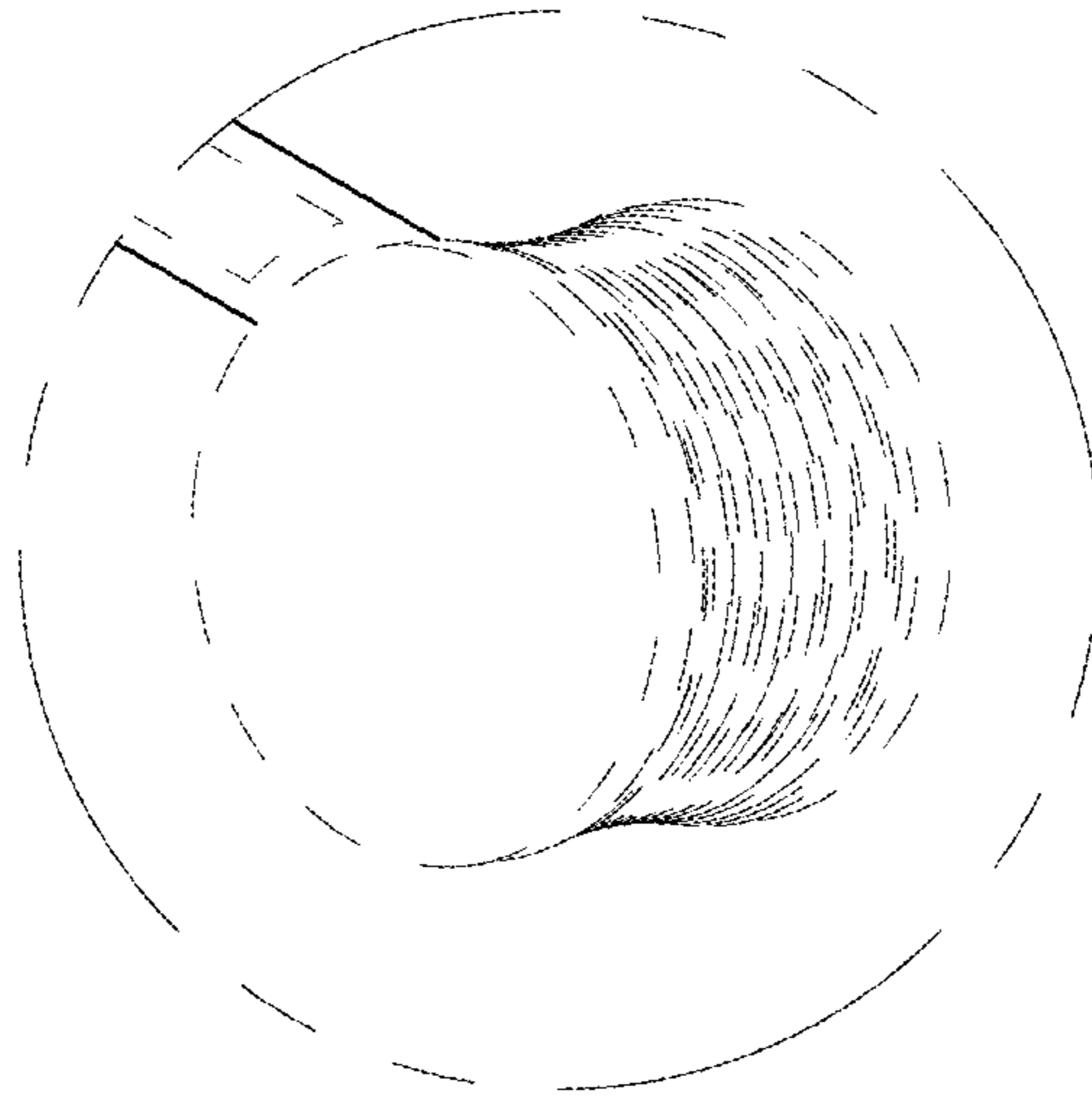


FIG.10

