

US00D763953S

(12) **United States Design Patent**  
**Kenkman**

(10) **Patent No.:** **US D763,953 S**  
(45) **Date of Patent:** **\*\* Aug. 16, 2016**

- (54) **SINGLE CLAW DRUM DISPLAY**
- (71) Applicant: **Steve Kenkman**, Newcastle, WA (US)
- (72) Inventor: **Steve Kenkman**, Newcastle, WA (US)
- (\*\*) Term: **14 Years**
- (21) Appl. No.: **29/506,908**
- (22) Filed: **Oct. 21, 2014**
- (51) **LOC (10) Cl.** ..... **17-04**
- (52) **U.S. Cl.**  
USPC ..... **D17/22**
- (58) **Field of Classification Search**  
USPC ..... D28/7; D6/582, 583, 585, 592, 595,  
D6/596, 597, 601, 602, 603, 606, 608, 610,  
D6/617; D17/4, 9, 12, 13, 14, 15, 16, 17,  
D17/18, 19, 20, 21, 22, 23, 24, 99;  
D21/586; D14/356; D10/93, 104.1,  
D10/108, 114  
CPC ..... A47G 9/00; B60N 2/00; G10D 3/18;  
G10D 3/043; G10D 1/08; G10H 1/02; G10H  
1/0091; G10H 1/32; H01R 13/5213; B60Q  
1/04; B60Q 1/26  
See application file for complete search history.

- 3,867,863 A \* 2/1975 Vennola ..... G10D 13/02  
84/420
- 3,955,461 A \* 5/1976 Ivie ..... G10G 5/00  
84/327
- D254,140 S \* 2/1980 Kuipers ..... D17/22
- 4,214,504 A \* 7/1980 Rex ..... G10D 13/02  
84/411 R

(Continued)

**OTHER PUBLICATIONS**

Individual Drums, image post date 2013, site visited Mar. 20, 2016, (online), <[http://pop1nd1v1dualdrum5296.blogspot.com/2013\\_08\\_01\\_archive.html](http://pop1nd1v1dualdrum5296.blogspot.com/2013_08_01_archive.html)>.\*

(Continued)

*Primary Examiner* — Kevin Rudzinski  
*Assistant Examiner* — Sean D Lough  
(74) *Attorney, Agent, or Firm* — Dean A Craigne

(57) **CLAIM**  
The ornamental design for the single claw drum display, as shown and described.

**DESCRIPTION**

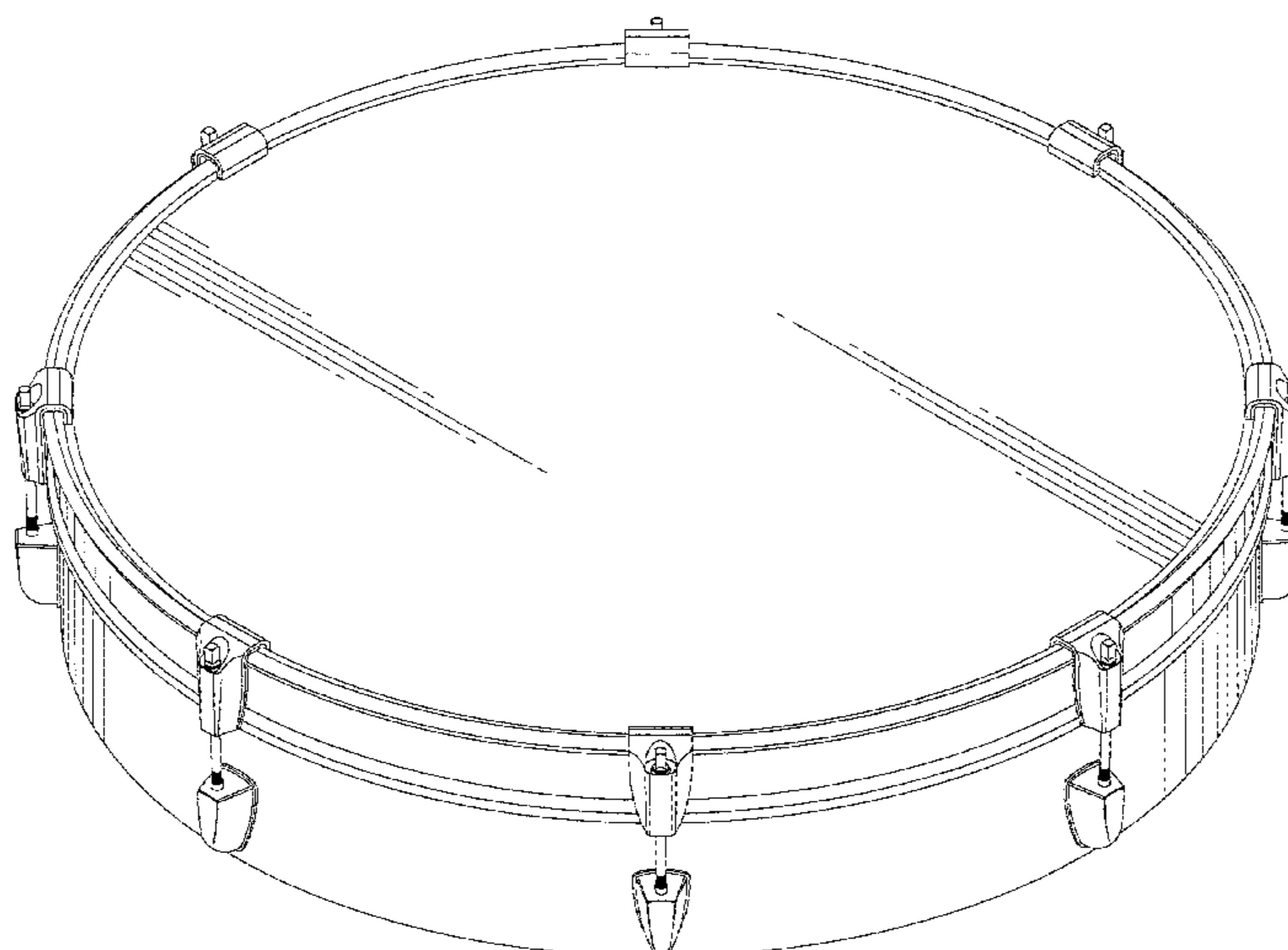
FIG. 1 is a front, top perspective view of a single claw drum display.  
FIG. 2 is a top plan view of the single claw drum display shown in FIG. 1.  
FIG. 3 is a rear plan view of the single claw drum display shown in FIG. 1.  
FIG. 4 is a right side elevational view of the single claw drum display shown in FIG. 1; and,  
FIG. 5 is a left side elevational view of the single claw drum display in FIG. 1.  
The dot-dot-dash broken lines presented in FIG. 3 illustrate portions of the single claw drum display that form no part of the claimed design.

**1 Claim, 4 Drawing Sheets**

(56) **References Cited**

**U.S. PATENT DOCUMENTS**

- 1,828,083 A \* 10/1931 Strupe ..... G10D 13/025  
84/415
- 2,565,225 A \* 8/1951 Gladstone ..... G10D 13/022  
84/411 R
- 3,113,481 A \* 12/1963 Thompson ..... G10D 13/025  
84/415
- 3,346,732 A 10/1967 Crusius
- 3,482,479 A \* 12/1969 Della-Porta ..... G10D 13/023  
84/411 R
- D218,854 S \* 9/1970 Thompson ..... 84/411 R
- 3,626,801 A \* 12/1971 Moore ..... G10D 13/023  
84/411 R



(56)

References Cited

U.S. PATENT DOCUMENTS

4,236,191 A 11/1980 Martinez  
 D257,989 S \* 1/1981 Ludwig ..... D17/22  
 4,254,685 A \* 3/1981 Rose ..... G10D 13/027  
 84/411 R  
 4,441,398 A \* 4/1984 Baker ..... G10G 5/00  
 248/346.03  
 4,520,709 A \* 6/1985 Kester, Jr. .... G10D 13/02  
 84/411 M  
 4,586,912 A \* 5/1986 Adams ..... G10K 9/10  
 446/397  
 D308,983 S \* 7/1990 Bonsor ..... D17/22  
 D311,018 S \* 10/1990 Corder ..... D17/22  
 D316,090 S \* 4/1991 Holloway ..... D14/143  
 D322,622 S \* 12/1991 Gabriel ..... D17/22  
 5,105,710 A \* 4/1992 Rothmel ..... G10D 13/024  
 84/730  
 D340,254 S \* 10/1993 Yamashita ..... 84/415  
 5,562,521 A \* 10/1996 Butler ..... A01M 31/004  
 446/397  
 D387,375 S \* 12/1997 Bacco ..... D17/22  
 5,892,169 A \* 4/1999 Shapiro ..... G10D 13/022  
 84/411 M  
 5,962,798 A \* 10/1999 Meinel ..... G10D 13/02  
 84/411 R  
 5,998,716 A \* 12/1999 Marquez ..... G10D 13/027  
 84/411 M  
 6,095,888 A \* 8/2000 Panepinto ..... A01M 31/004  
 446/397  
 6,239,340 B1 \* 5/2001 Heuerman ..... G10D 13/029  
 84/402  
 6,414,693 B1 7/2002 Berger et al.  
 6,443,803 B1 \* 9/2002 Epple, Jr. .... A01M 31/004  
 446/397  
 D464,078 S \* 10/2002 Lau ..... D17/22  
 D464,986 S \* 10/2002 Hagiwara ..... D17/22  
 6,518,490 B2 \* 2/2003 Good ..... G10D 13/027  
 84/411 R  
 6,805,608 B2 \* 10/2004 Forbes ..... A01M 31/004  
 446/397  
 D507,589 S \* 7/2005 Ito ..... D17/22

6,955,582 B1 \* 10/2005 Forbes ..... A01M 31/004  
 446/397  
 D541,554 S \* 5/2007 Maitland-Smith ..... D6/688  
 D553,194 S \* 10/2007 Huang ..... D19/84  
 7,351,898 B2 \* 4/2008 Sagastegui ..... G09B 15/00  
 84/411 R  
 7,645,928 B2 \* 1/2010 Graham ..... G10D 13/00  
 84/327  
 7,943,840 B2 \* 5/2011 Yoshino ..... G10D 13/026  
 84/421  
 D665,839 S \* 8/2012 Chan ..... D17/22  
 D668,712 S \* 10/2012 Gates ..... D17/22  
 8,283,544 B2 \* 10/2012 Zuffante ..... G10D 13/00  
 84/413  
 D718,810 S \* 12/2014 Marquez ..... D17/22  
 9,190,040 B2 \* 11/2015 Hashimoto ..... G10D 13/027  
 D745,925 S \* 12/2015 Mori ..... D17/22  
 D747,229 S \* 1/2016 Perez ..... D10/104.1  
 2002/0116298 A1 8/2002 Kamon et al.  
 2003/0029301 A1 \* 2/2003 Belli ..... G10D 13/027  
 84/411 R  
 2004/0154458 A1 \* 8/2004 Coleman ..... G09B 15/00  
 84/470 R  
 2009/0319376 A1 12/2009 Mills

OTHER PUBLICATIONS

Select a Head drums, image post date Jun. 17, 2015, site visited Mar. 20, 2016, (online), <<http://425business.com/select-a-head-creates-custom-art-for-musicians-fans/>>.\*  
 Yelp profile Select a Head drums, image post date Jun. 17, 2014, site visited Mar. 20, 2016, (online), <[http://www.yelp.com/user\\_details?userid=O5hE3suzJKfc4z0g66xUYQ](http://www.yelp.com/user_details?userid=O5hE3suzJKfc4z0g66xUYQ)>.\*  
 Select a Head Customized Drum Displays, image post date 2015, site visited Mar. 20, 2016, (online), <<http://www.selectahead.com/>>.\*  
 Select a Head Limited Edition Designs, image post date Jun. 10, 2015, site visited Mar. 20, 2016, (online), <<http://www.thebackstagedivas.com/apps/blog>>.\*

\* cited by examiner

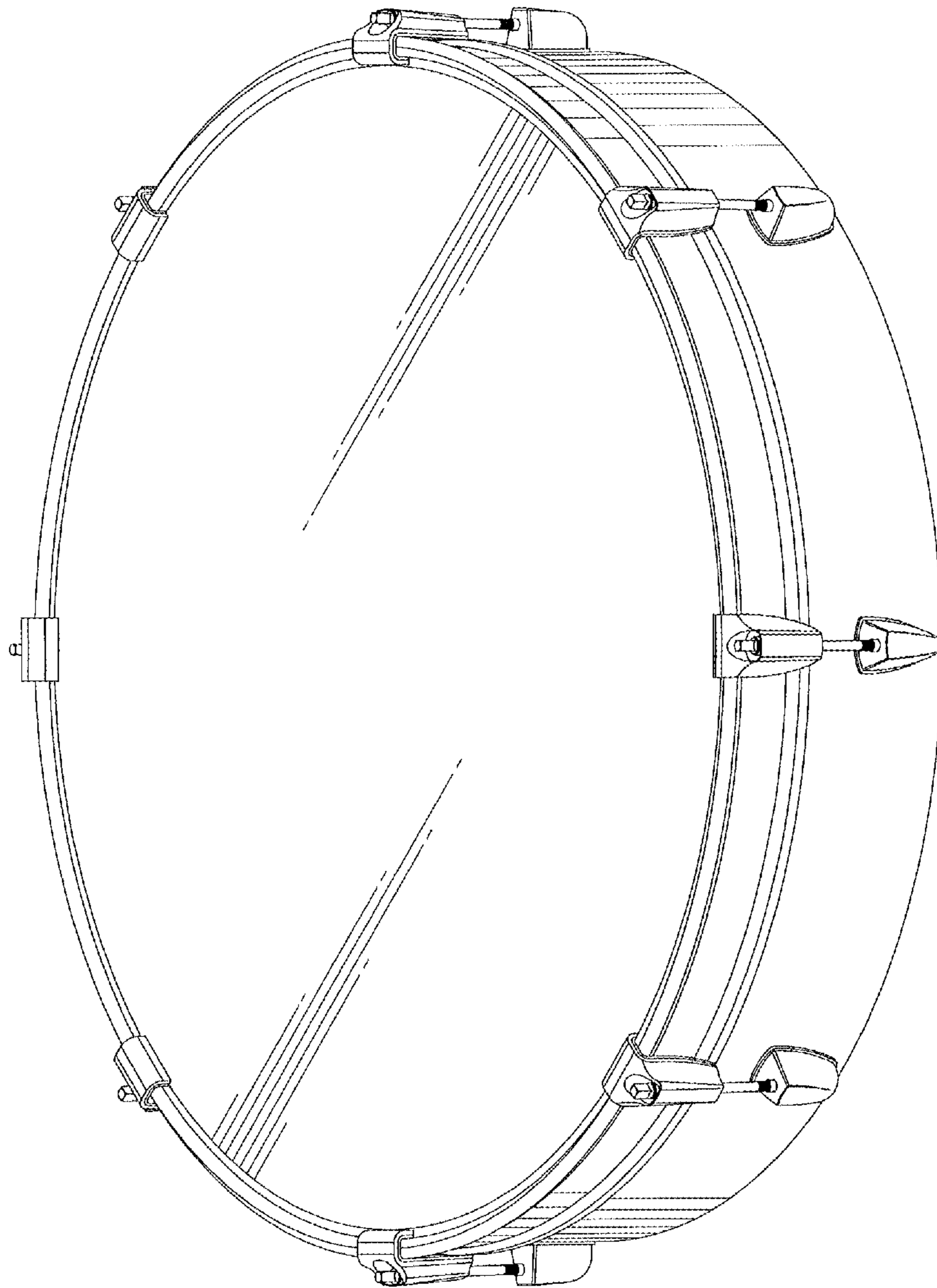
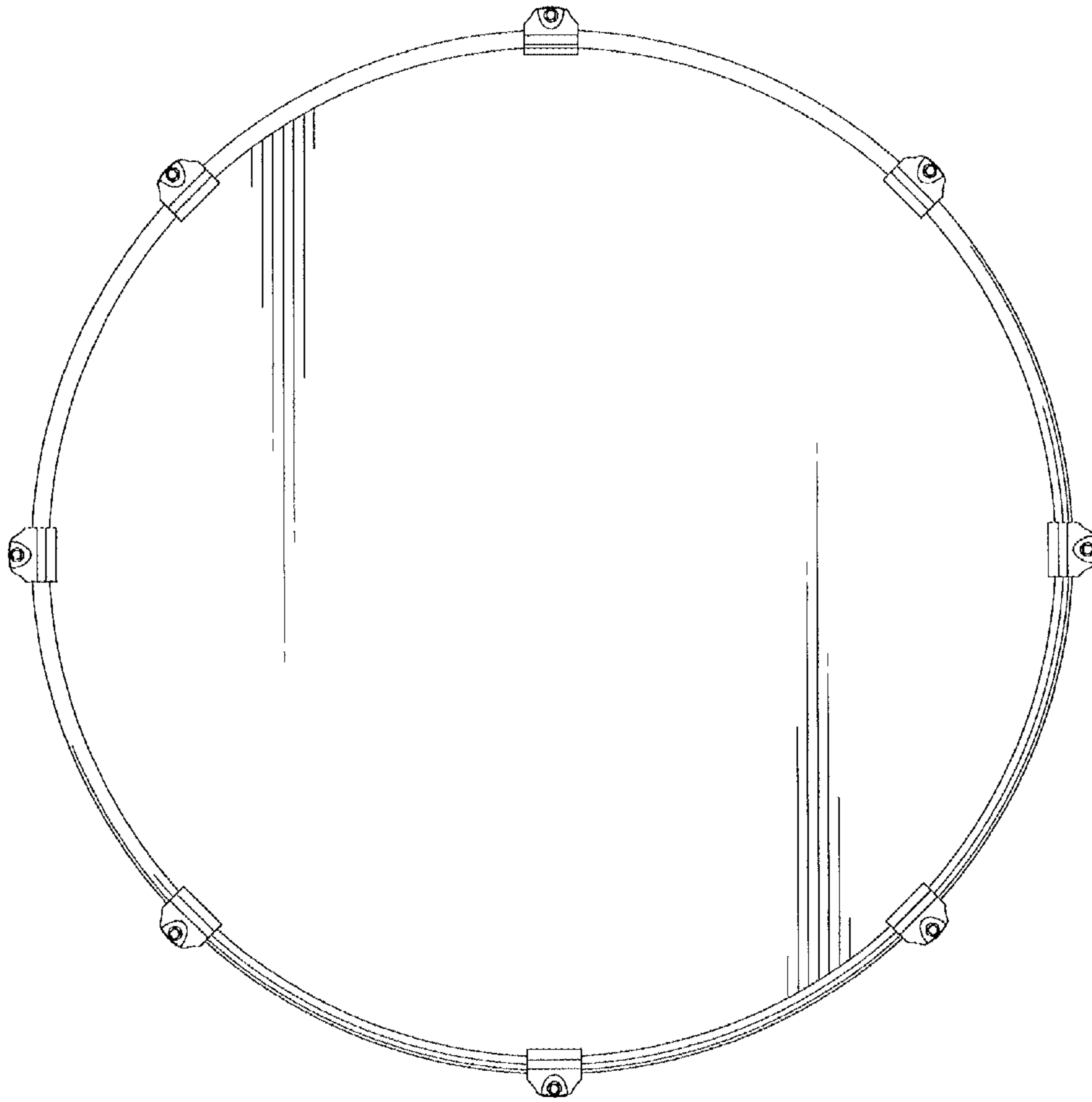
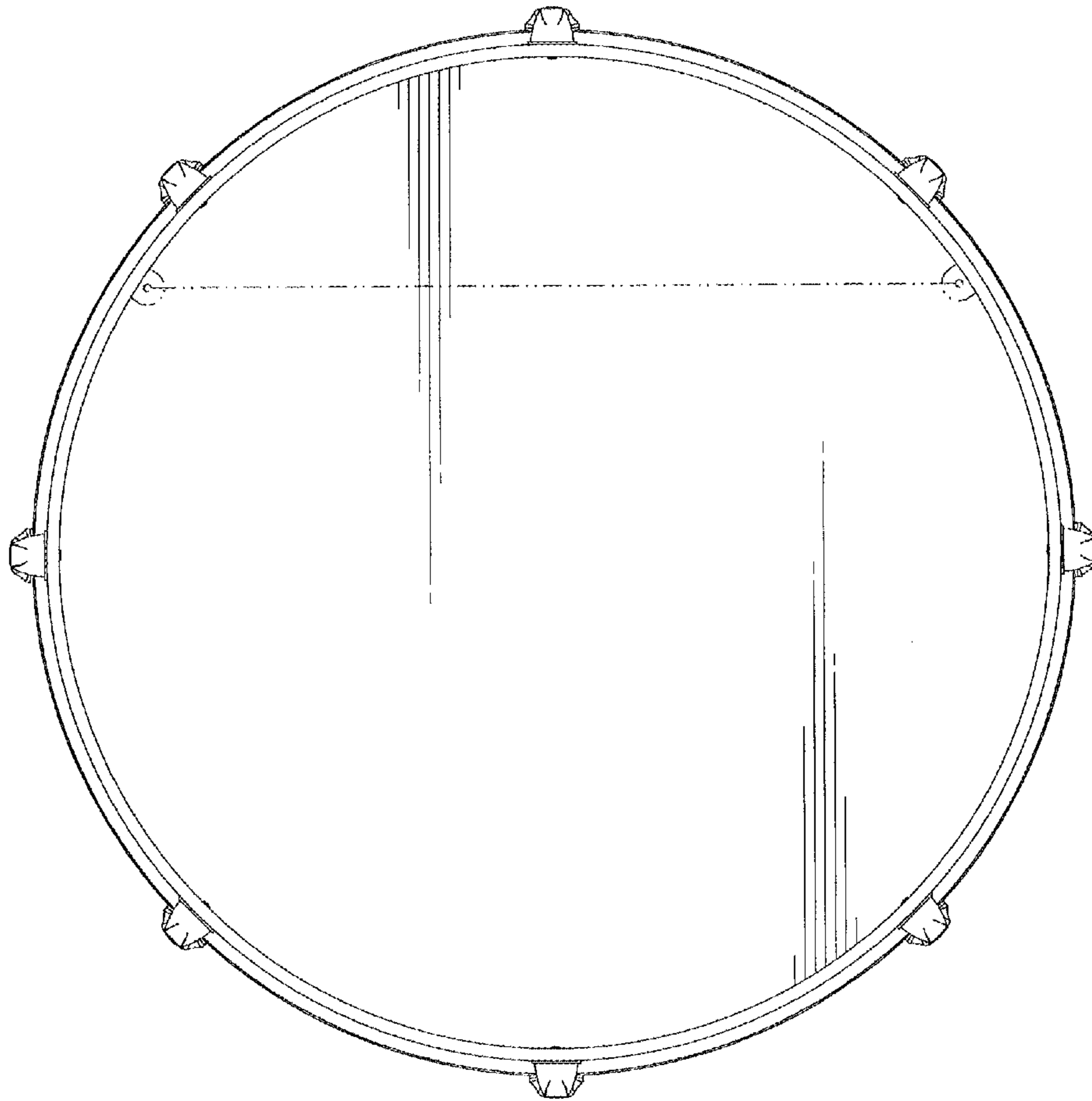


Fig. 1

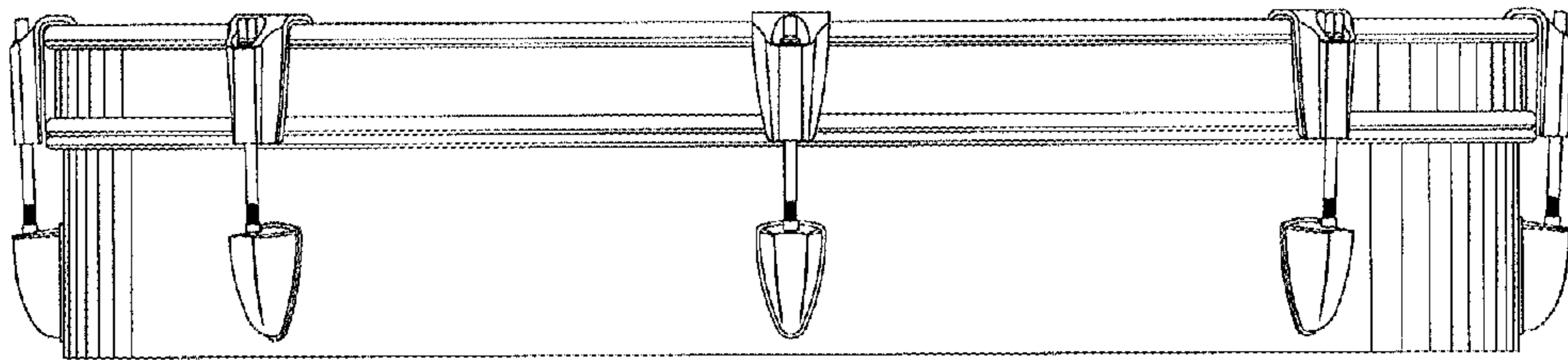


*Fig. 2*

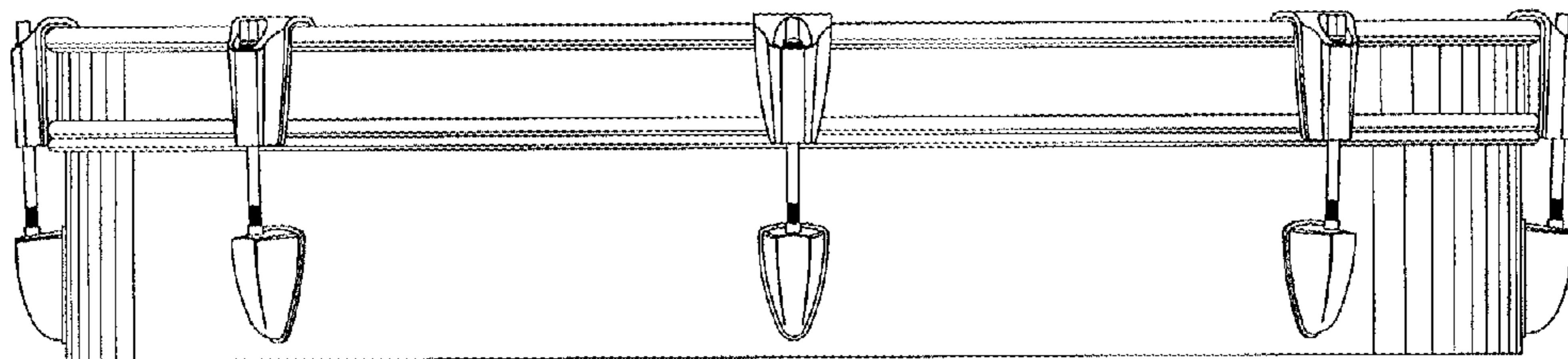




*Fig. 3*



*Fig. 4*



*Fig. 5*