



US00D763952S

(12) **United States Design Patent**
Turner

(10) **Patent No.:** **US D763,952 S**
(45) **Date of Patent:** **** Aug. 16, 2016**

(54) **THIGH DRUM**

(71) Applicant: **Karen Turner**, Austin, TX (US)

(72) Inventor: **Karen Turner**, Austin, TX (US)

(**) Term: **14 Years**

(21) Appl. No.: **29/502,889**

(22) Filed: **Sep. 19, 2014**

(51) **LOC (10) Cl.** **17-04**

(52) **U.S. Cl.**
USPC **D17/22**

(58) **Field of Classification Search**

USPC D28/7; D6/582, 583, 585, 592, 595,
D6/596, 597, 601, 602, 603, 606, 608, 610,
D6/617; D17/4, 9, 12, 13, 14, 15, 16, 17,
D17/18, 19, 20, 21, 22, 23, 24, 99;
D21/586; D14/356; D10/93, 104.1,
D10/108, 114
CPC A47G 9/00; B60N 2/00; G10D 3/18;
G10D 3/043; G10D 1/08; G10H 1/02; G10H
1/0091; G10H 1/32; H01R 13/5213; B60Q
1/04; B60Q 1/26

See application file for complete search history.

(56) **References Cited**

U.S. PATENT DOCUMENTS

114,636 A * 5/1871 Beach A47G 23/06
294/172
1,284,526 A * 11/1918 Winne G10D 13/023
84/411 R
2,338,816 A 1/1944 Lockhart
2,475,873 A * 7/1949 Banta G10D 13/029
84/411 R
2,565,225 A * 8/1951 Gladstone G10D 13/022
84/411 R
3,166,970 A * 1/1965 Ellman G10D 13/029
84/411 R
3,955,461 A * 5/1976 Ivie G10G 5/00
84/327

3,979,993 A * 9/1976 Proctor G10G 5/005
84/327
D254,140 S * 2/1980 Kuipers D17/22
4,214,504 A * 7/1980 Rex G10D 13/02
84/411 R
D257,989 S * 1/1981 Ludwig D17/22
4,387,531 A * 6/1983 Jacob A01M 31/06
446/397

(Continued)

OTHER PUBLICATIONS

Training Pad Practice Pad Tpx6, image post date Apr. 15, 2008, site visited Mar. 20, 2016, (online), <<https://www.tineye.com/search/b80d1f6f0310b23ecadc763a67c40ed8cc3aa277/>>.*

(Continued)

Primary Examiner — Kevin Rudzinski
Assistant Examiner — Sean D Lough
(74) *Attorney, Agent, or Firm* — Scheinberg & Associates, PC; Michael O. Scheinberg

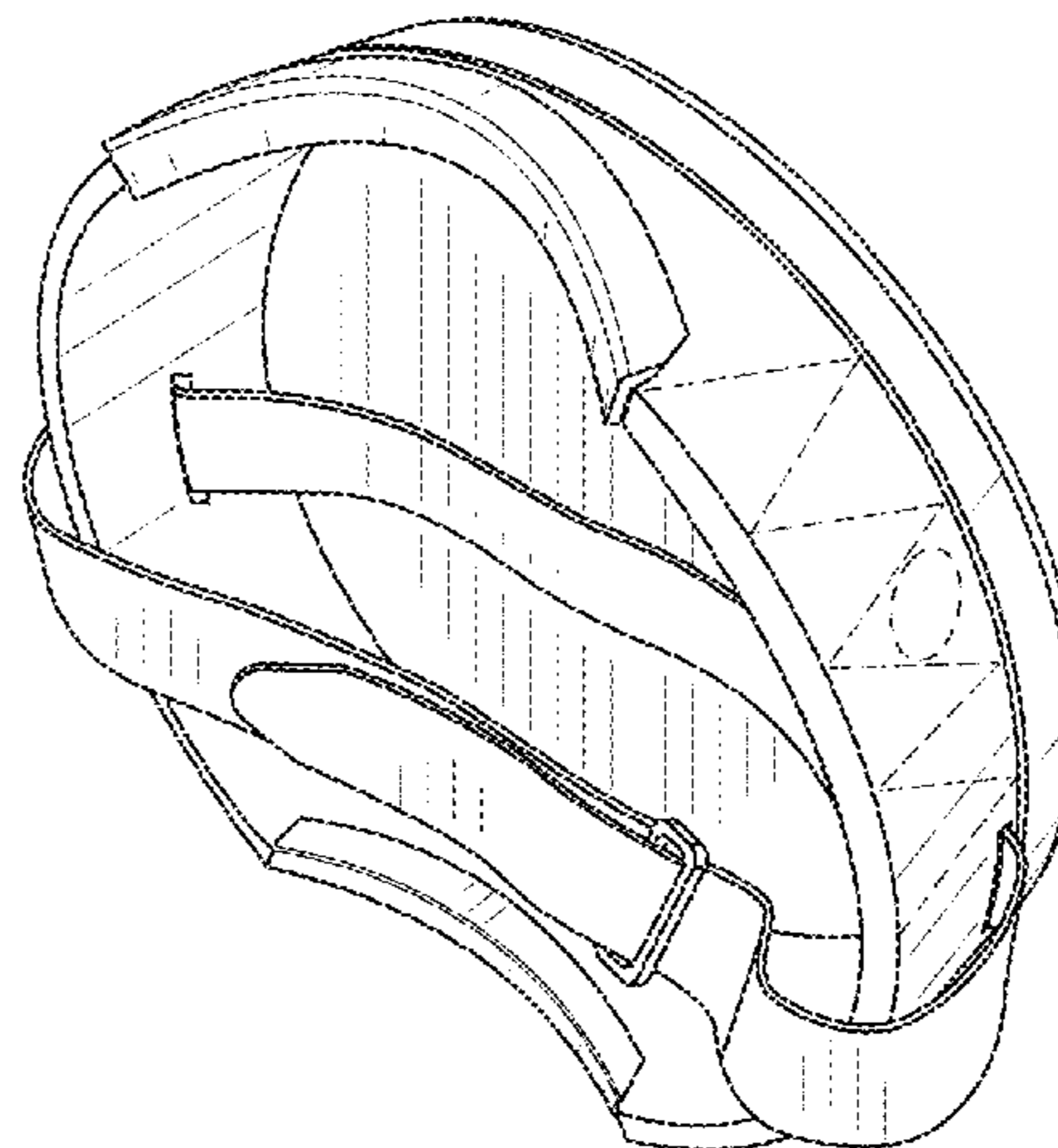
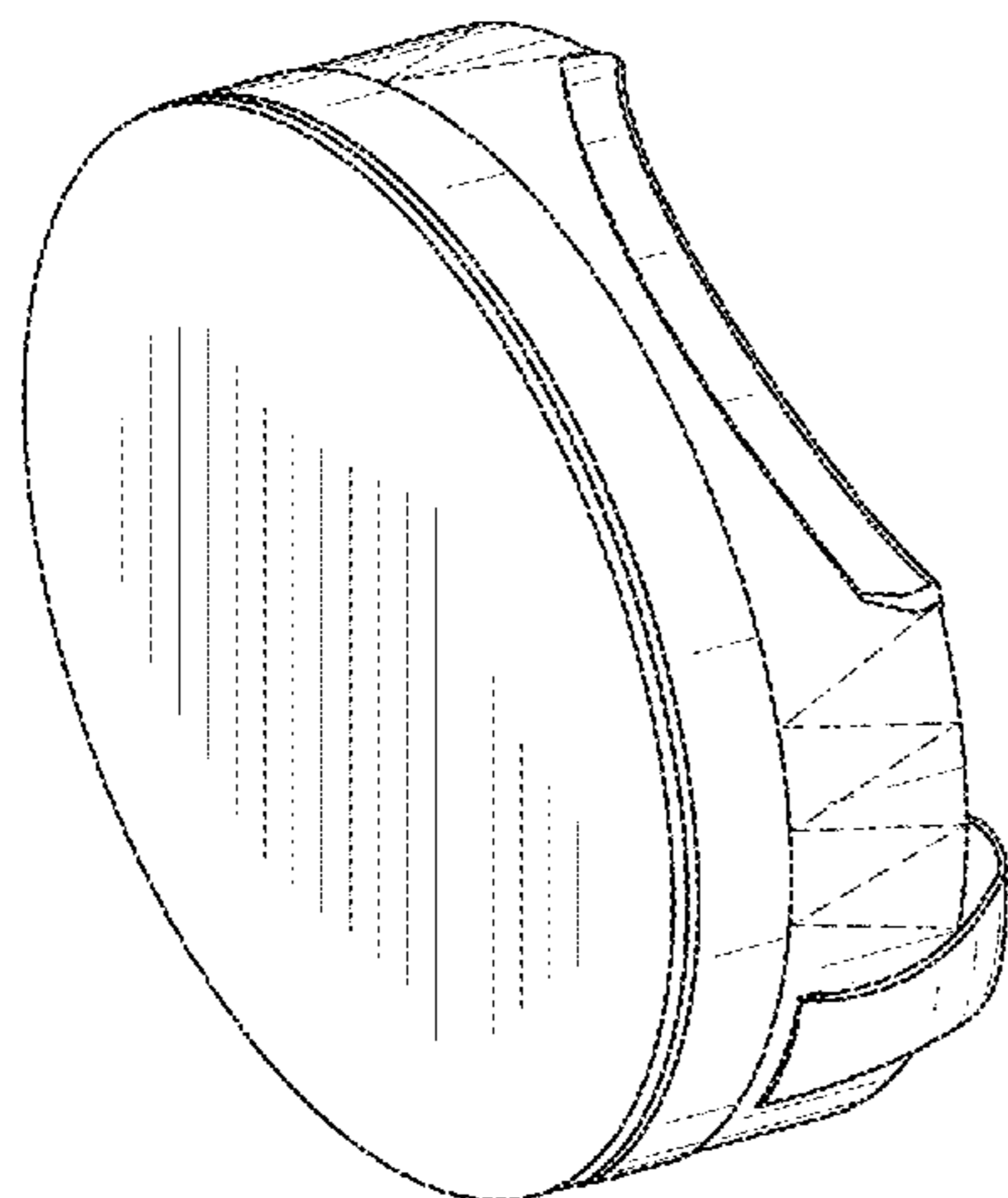
(57) **CLAIM**

I claim the ornamental design for the thigh drum, as shown and described.

DESCRIPTION

FIG. 1 is a front perspective view of a thigh drum according to the present design.
FIG. 2 is a back perspective view thereof.
FIG. 3 is a top plan view thereof.
FIG. 4 is a bottom plan view thereof.
FIG. 5 is an elevation view from the left side thereof.
FIG. 6 is an elevation view from the right side thereof.
FIG. 7 is a front elevation view thereof; and,
FIG. 8 is a back elevation view thereof.
The broken line showing of the thumb hole and decoration illustrate portions of the thigh drum that form no part of the claimed design.

1 Claim, 4 Drawing Sheets



(56)

References Cited

U.S. PATENT DOCUMENTS

4,406,207 A 9/1983 Criscione
 4,409,861 A 10/1983 Sakurai
 4,441,398 A * 4/1984 Baker G10G 5/00
 248/346.03
 4,520,709 A * 6/1985 Kester, Jr. G10D 13/02
 84/411 M
 4,566,365 A * 1/1986 Huston, Jr. G10D 3/08
 84/317
 4,586,912 A * 5/1986 Adams G10K 9/10
 446/397
 4,648,603 A * 3/1987 Hayford, Jr. A63F 13/02
 108/43
 4,733,808 A * 3/1988 Turner, Jr. A01M 31/004
 224/219
 4,821,932 A * 4/1989 Petryshyn A45F 5/00
 156/259
 D308,983 S * 7/1990 Bonsor D17/22
 D311,018 S * 10/1990 Corder D17/22
 D316,090 S * 4/1991 Holloway D14/143
 D322,622 S * 12/1991 Gabriel D17/22
 5,159,138 A * 10/1992 Kleinhans G10D 13/08
 84/402
 5,186,375 A * 2/1993 Plonk A45F 5/00
 108/43
 5,244,430 A * 9/1993 Legursky A01M 31/004
 224/222
 D340,254 S * 10/1993 Yamashita 84/415
 5,562,521 A * 10/1996 Butler A01M 31/004
 446/397
 5,607,091 A * 3/1997 Musacchia A01M 31/004
 108/43
 D387,375 S * 12/1997 Bacco D17/22
 5,716,254 A * 2/1998 Bowes G10K 3/00
 446/397
 5,892,169 A * 4/1999 Shapiro G10D 13/022
 84/411 M
 5,932,823 A * 8/1999 Jacobs G10D 13/029
 428/411.1
 5,973,247 A * 10/1999 Matthews G10G 5/005
 84/402
 5,988,469 A * 11/1999 Musacchia A01M 31/004
 108/43
 5,998,716 A * 12/1999 Marquez G10D 13/027
 84/411 M
 6,095,888 A * 8/2000 Panepinto A01M 31/004
 446/397
 6,239,340 B1 * 5/2001 Heuerman G10D 13/029
 84/402

6,443,803 B1 * 9/2002 Epple, Jr. A01M 31/004
 446/397
 D464,078 S * 10/2002 Lau D17/22
 D464,986 S * 10/2002 Hagiwara D17/22
 6,518,490 B2 * 2/2003 Good G10D 13/027
 84/411 R
 D489,398 S * 5/2004 Pollock D17/22
 6,805,608 B2 * 10/2004 Forbes A01M 31/004
 446/397
 D507,589 S * 7/2005 Ito D17/22
 6,955,582 B1 * 10/2005 Forbes A01M 31/004
 446/397
 D521,845 S * 5/2006 Stevens D8/307
 D541,554 S * 5/2007 Maitland-Smith D6/688
 7,351,898 B2 * 4/2008 Sagastegui G09B 15/00
 84/411 R
 D601,617 S * 10/2009 Cohen D17/22
 7,645,928 B2 * 1/2010 Graham G10D 13/00
 84/327
 7,943,840 B2 * 5/2011 Yoshino G10D 13/026
 84/421
 D668,712 S * 10/2012 Gates D17/22
 8,283,544 B2 * 10/2012 Zuffante G10D 13/00
 84/413
 8,629,339 B1 1/2014 Liao
 D718,810 S * 12/2014 Marquez D17/22
 9,190,040 B2 * 11/2015 Hashimoto G10D 13/027
 D745,925 S * 12/2015 Mori D17/22
 D747,229 S * 1/2016 Perez D10/104.1
 9,263,019 B2 * 2/2016 Dahl G10H 3/143
 2003/0029301 A1 * 2/2003 Belli G10D 13/027
 84/411 R
 2004/0154458 A1 * 8/2004 Coleman G09B 15/00
 84/407 R

OTHER PUBLICATIONS

Gibraltar Knee Pad, image post date Feb. 19, 2008, site visited Mar. 19, 2016, (online), <http://i22.photobucket.com/albums/b324/minddrummer/DRUM_KIT/New%20gears/Gibraltarkneepad3.jpg> & <<http://www.drummerworld.com/forums/showthread.php?t=66444>>.*
 DW Drum Workshop SMPADSS Steve Smith Practice Kneepad, image post date May 29, 2010, site visited Mar. 19, 2016, (online), <<http://www.amazon.com/Drum-Workshop-SMPADSS-Practice-Kneepad/dp/B001RF9XL4>>.*
<http://www.musiciansfriend.com/drums-percussion/remo-tar-frame-drum/h14080000002002>, Remo Tar Frame Drum, Last access Apr. 12, 2014.

* cited by examiner

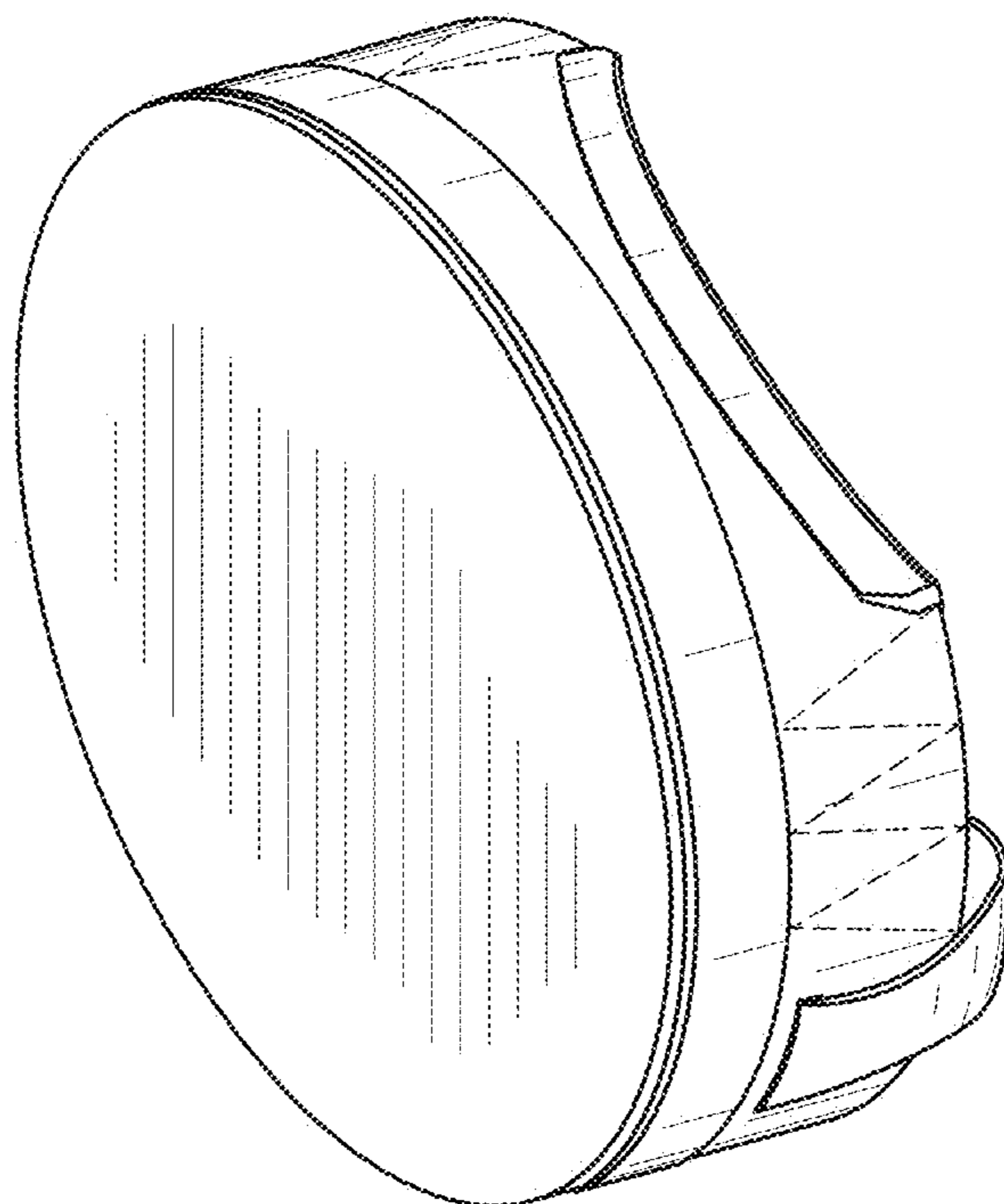


FIG. 1

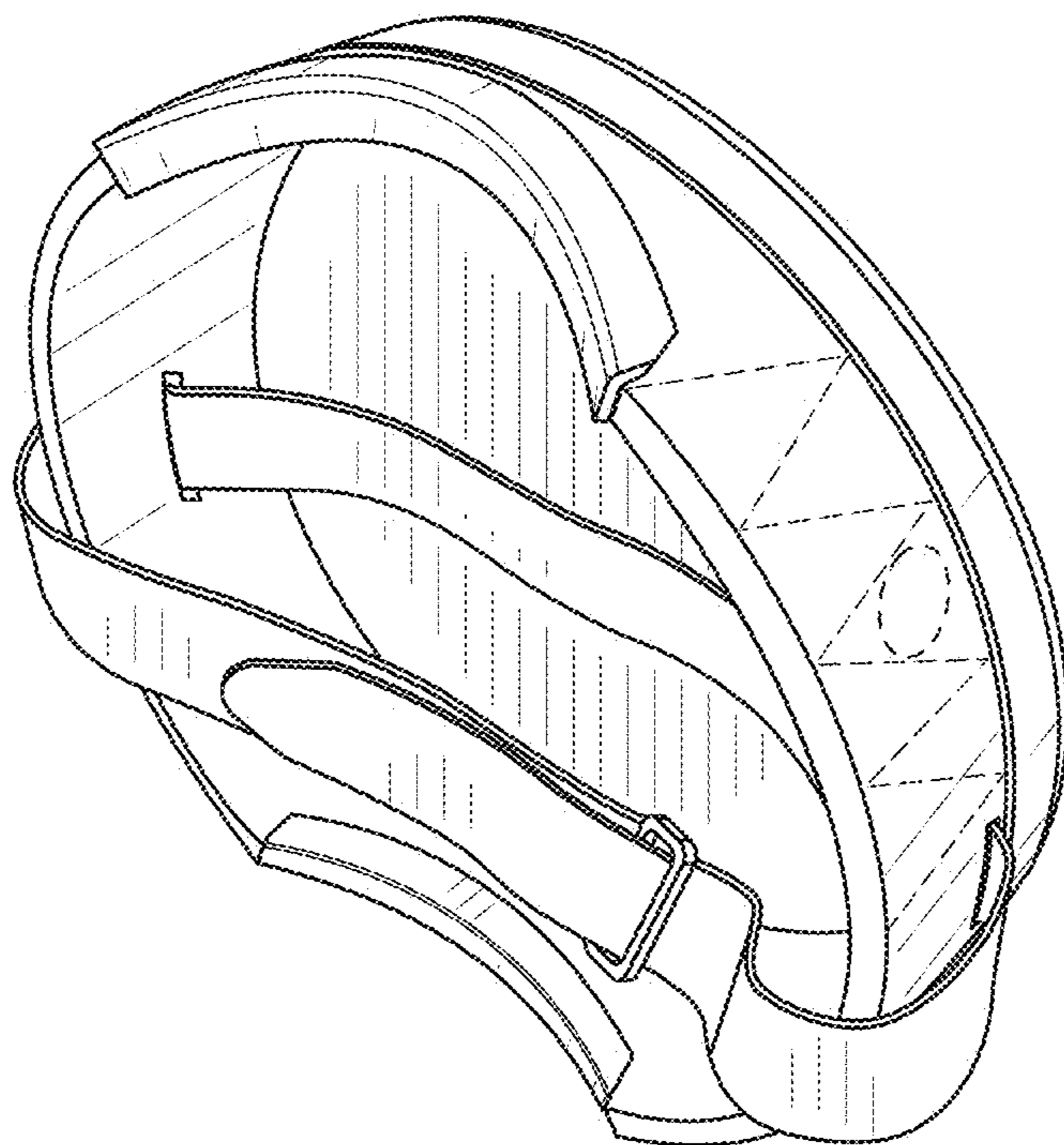


FIG. 2

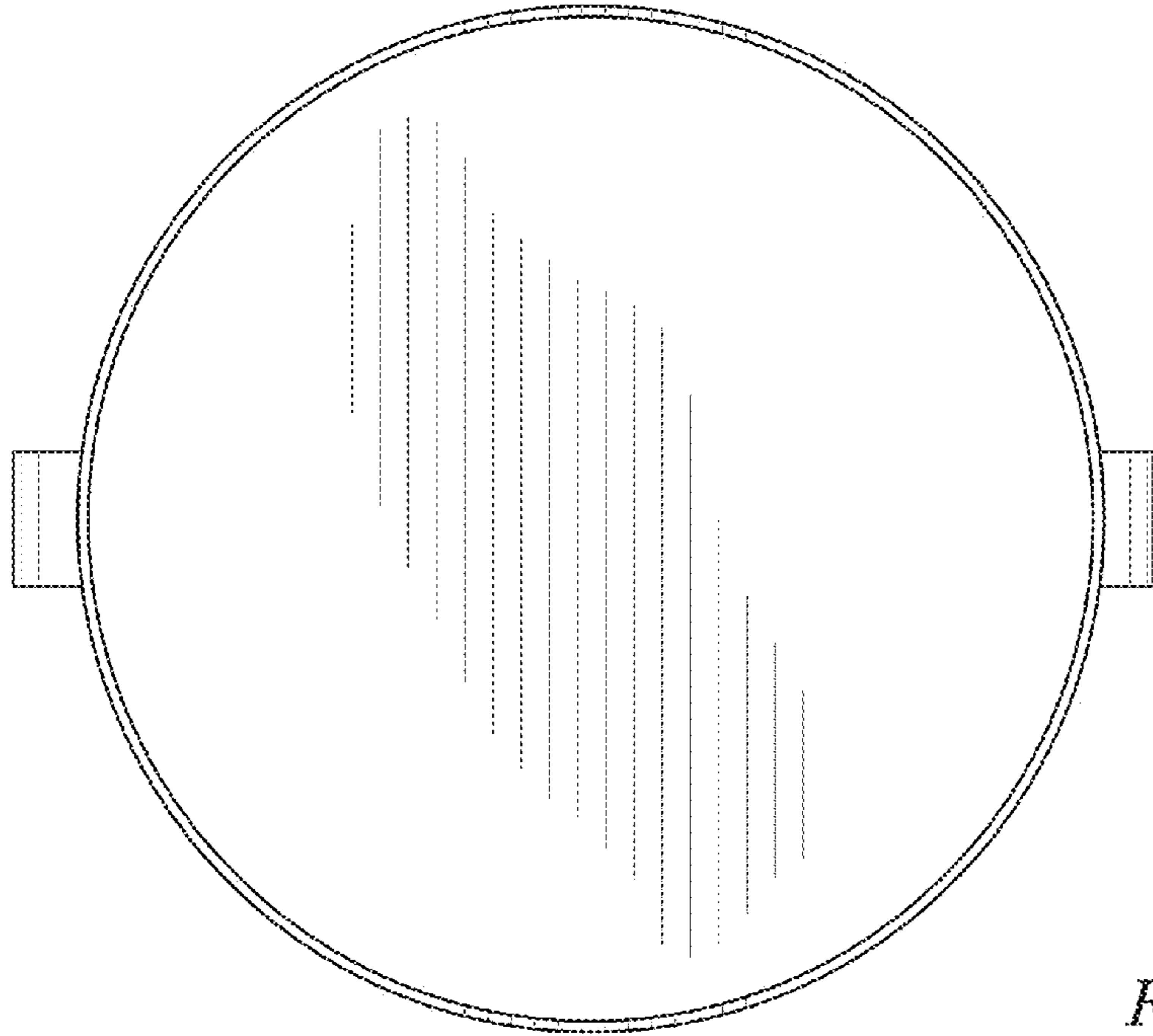


FIG. 3

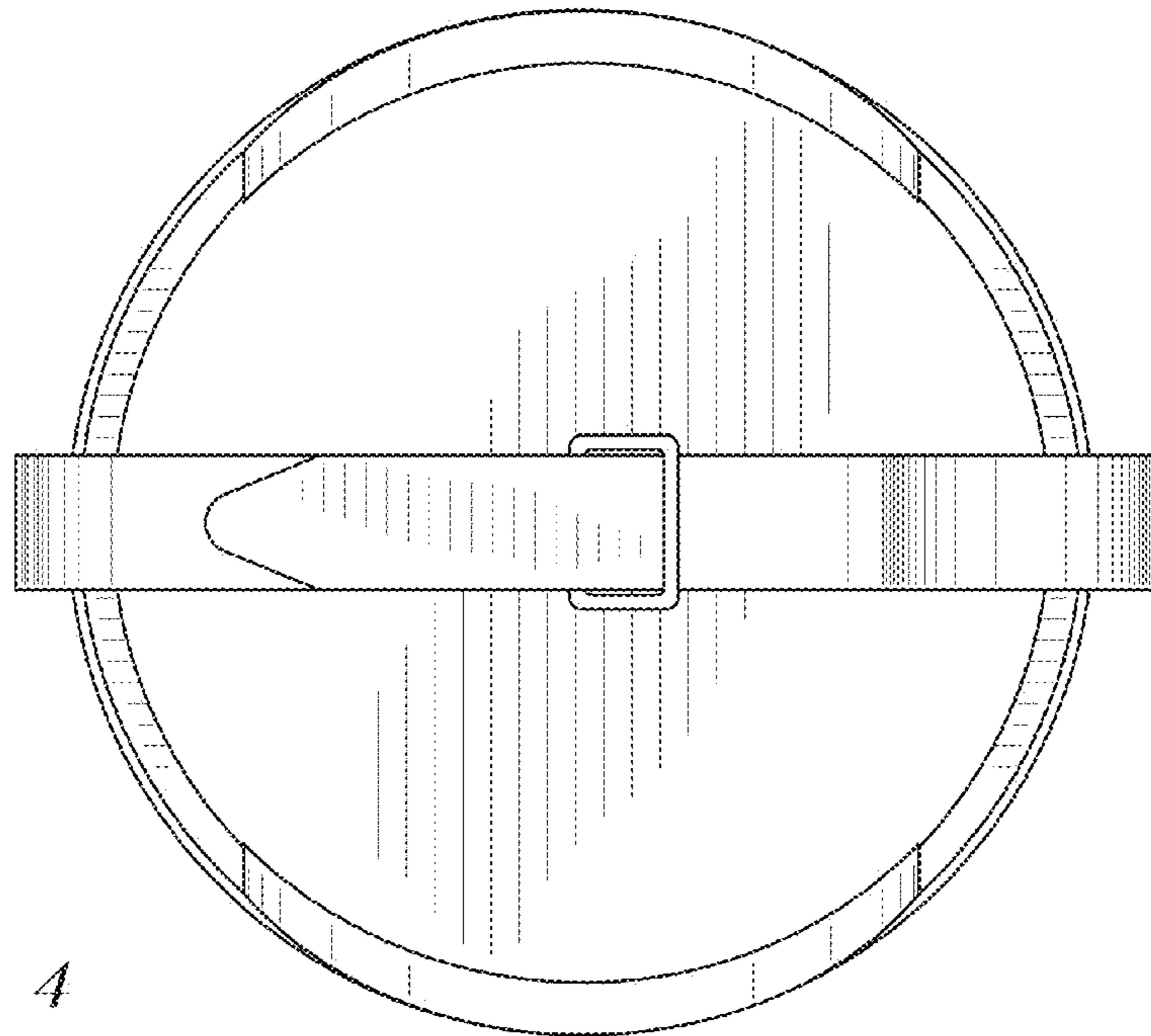


FIG. 4

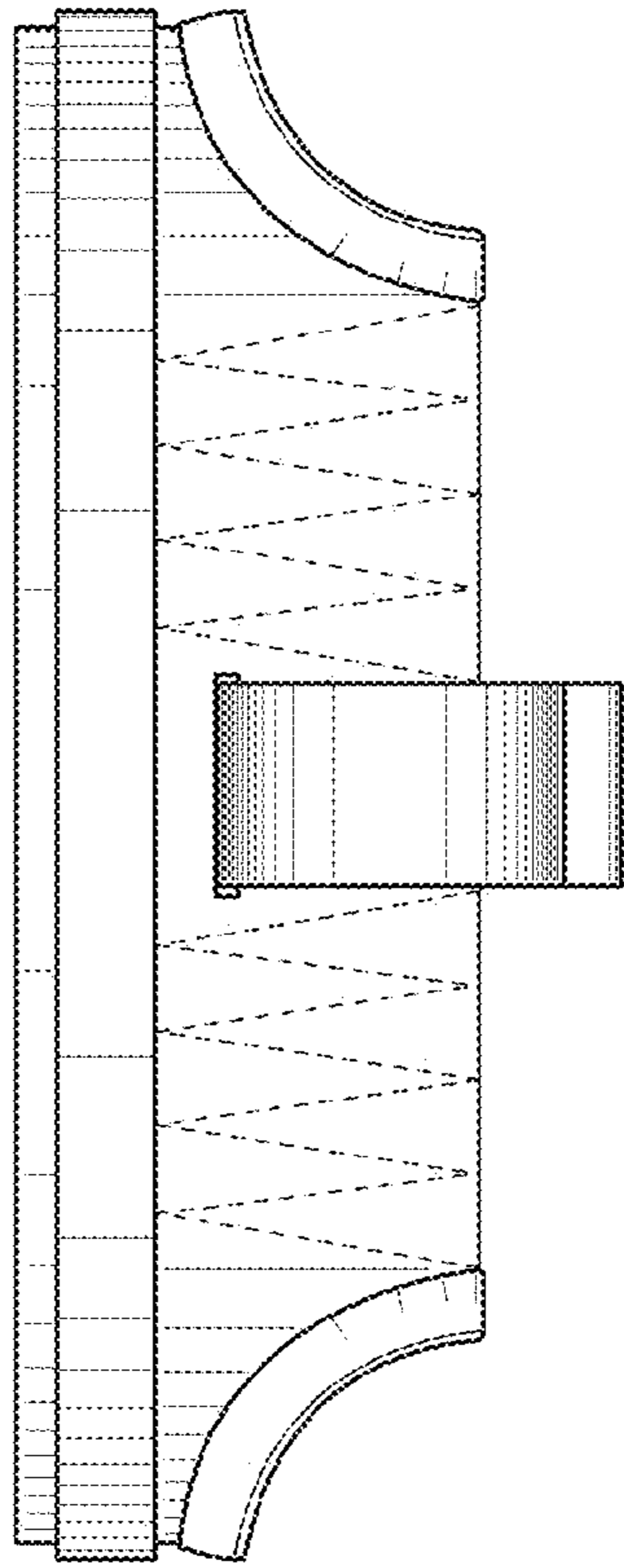


FIG. 5

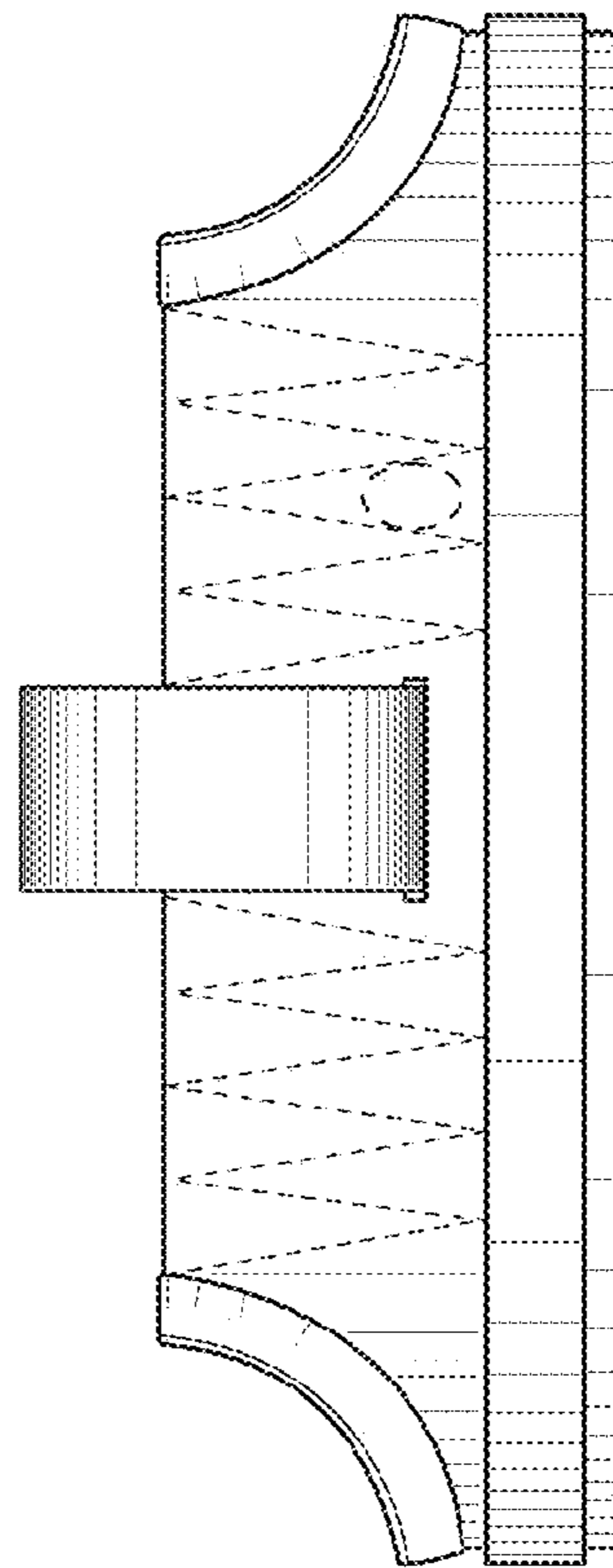


FIG. 6

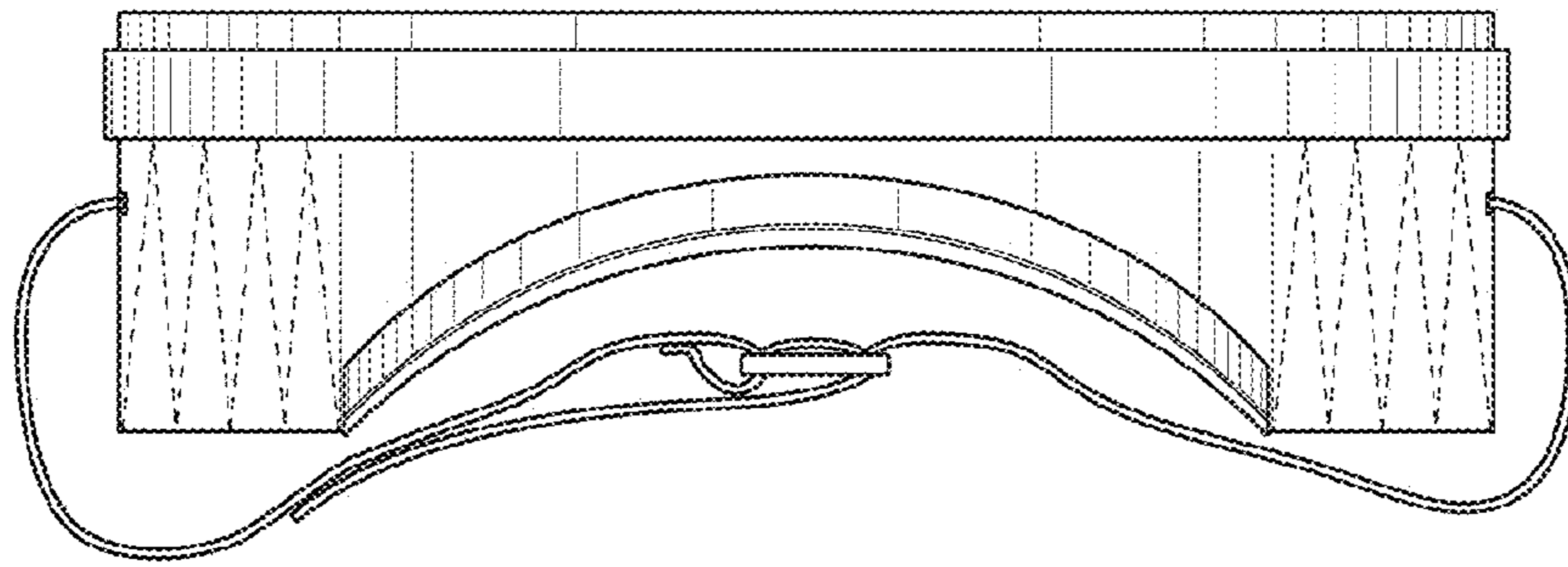


FIG. 7

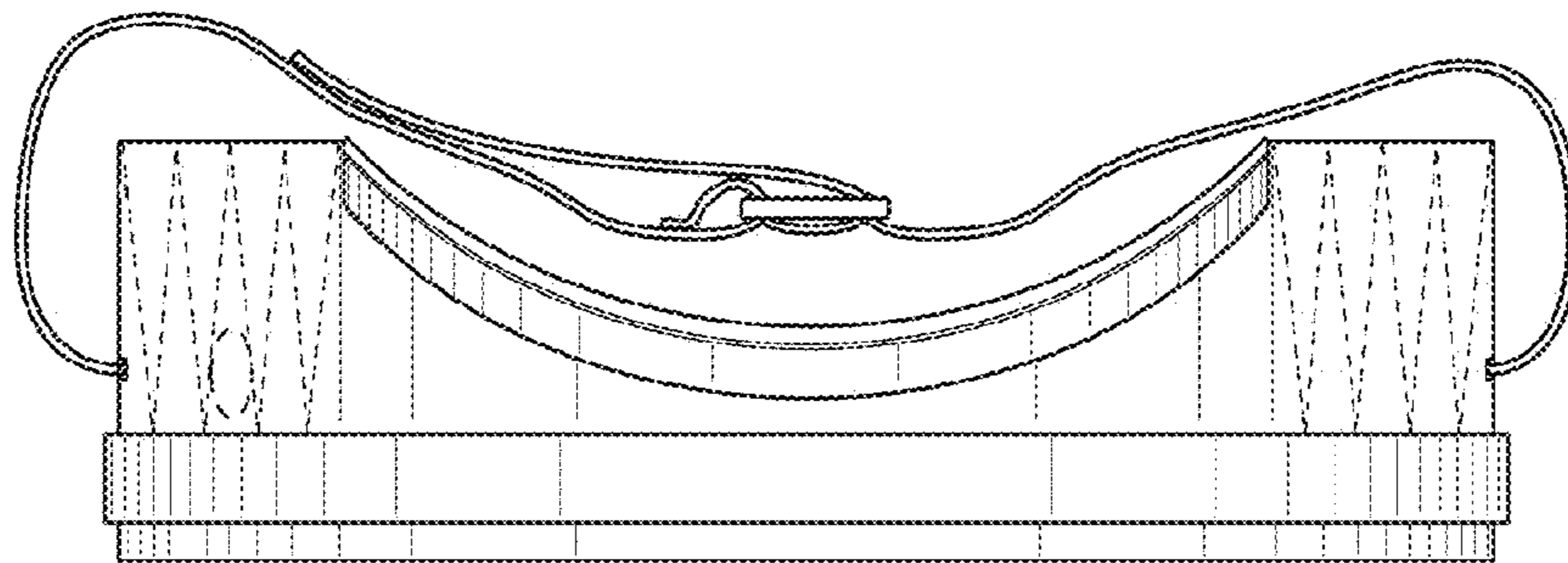


FIG. 8