



US00D763942S

(12) **United States Design Patent**
Yoon

(10) **Patent No.:** **US D763,942 S**
(45) **Date of Patent:** **** Aug. 16, 2016**

(54) **CAMERA LENS**
(71) Applicant: **SAMYANG OPTICS CO., LTD,**
Changwon-si (KR)
(72) Inventor: **Soo-Won Yoon,** Changwon-si (KR)
(73) Assignee: **SAMYANG OPTICS CO., LTD,**
Changwon-Si (KR)
(**) Term: **15 Years**
(21) Appl. No.: **29/527,596**
(22) Filed: **May 20, 2015**

D446,232 S * 8/2001 Watanabe D16/134
D562,862 S * 2/2008 Yasutomi D16/134
D562,863 S * 2/2008 Yasutomi D16/134
D562,864 S * 2/2008 Yasutomi D16/134
7,625,144 B2 * 12/2009 Kranz G02B 7/14
359/827
D684,208 S * 6/2013 Lee D16/219
D697,542 S * 1/2014 Kim D16/219
8,678,678 B2 * 3/2014 Imura G03B 17/14
396/419
D704,759 S * 5/2014 Park D16/219
D718,361 S * 11/2014 Noh D16/219
D726,239 S * 4/2015 So D16/219
D737,357 S * 8/2015 Park D16/219
D737,359 S * 8/2015 Jung D16/219
D737,360 S * 8/2015 Jung D16/219
D741,937 S * 10/2015 Park D16/219

* cited by examiner

(30) **Foreign Application Priority Data**
Mar. 20, 2015 (KR) 30-2015-0014302
(51) **LOC (10) Cl.** **16-05**
(52) **U.S. Cl.**
USPC **D16/219**
(58) **Field of Classification Search**
USPC D16/134, 136, 200, 202-205, 218, 219,
D16/235, 242; 348/373-376; 359/826-828;
396/529-532, 535, 539-541
CPC G03B 17/02; G03B 19/04; G03B 17/56;
G03B 17/04; G03B 15/03; G03B 17/14;
H04N 5/2251; H04N 5/2252; H04N 5/2253;
H04N 5/2254; G02B 7/02; G02B 7/04;
G02B 7/14
See application file for complete search history.

Primary Examiner — Philip S Hyder
Assistant Examiner — Ramzi Almatrahi
(74) *Attorney, Agent, or Firm* — Goldilocks ZONE IP LAW

(56) **References Cited**
U.S. PATENT DOCUMENTS
D362,007 S * 9/1995 Takahashi D16/134
D390,857 S * 2/1998 Hayamizu D16/134
D412,922 S * 8/1999 Sekine D16/134

(57) **CLAIM**
The ornamental design for a camera lens, as shown and described.

DESCRIPTION

FIG. 1 is a perspective view of a camera lens, showing my new design;
FIG. 2 is a front view thereof;
FIG. 3 is a rear view thereof;
FIG. 4 is a left-side view hereof;
FIG. 5 is a right-side view thereof;
FIG. 6 is a top plan view thereof; and,
FIG. 7 is a bottom plan view thereof.
The broken lines depict portions of a camera lens in which the design is embodied that form no part of the claimed design.

1 Claim, 7 Drawing Sheets

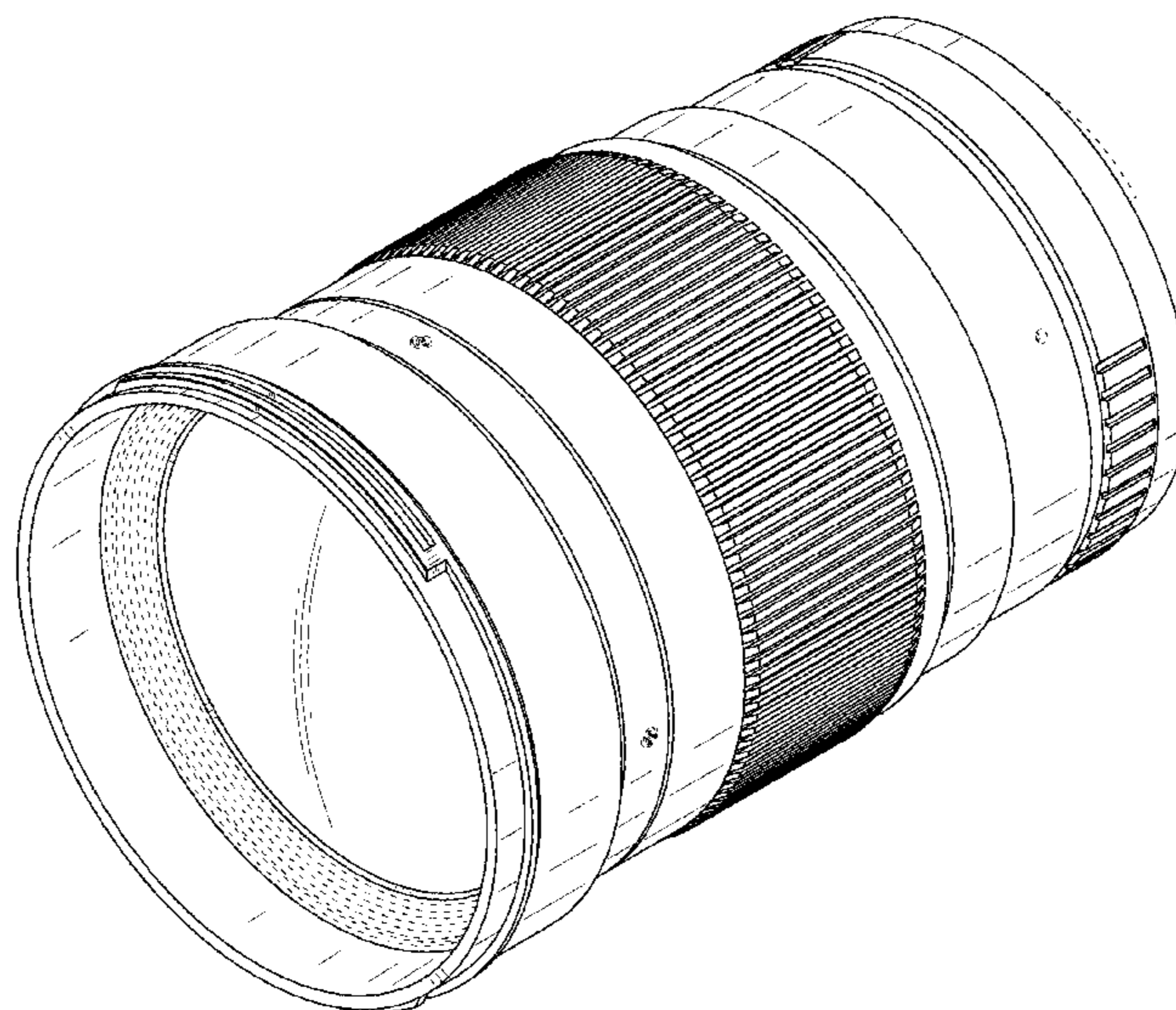


FIG. 1

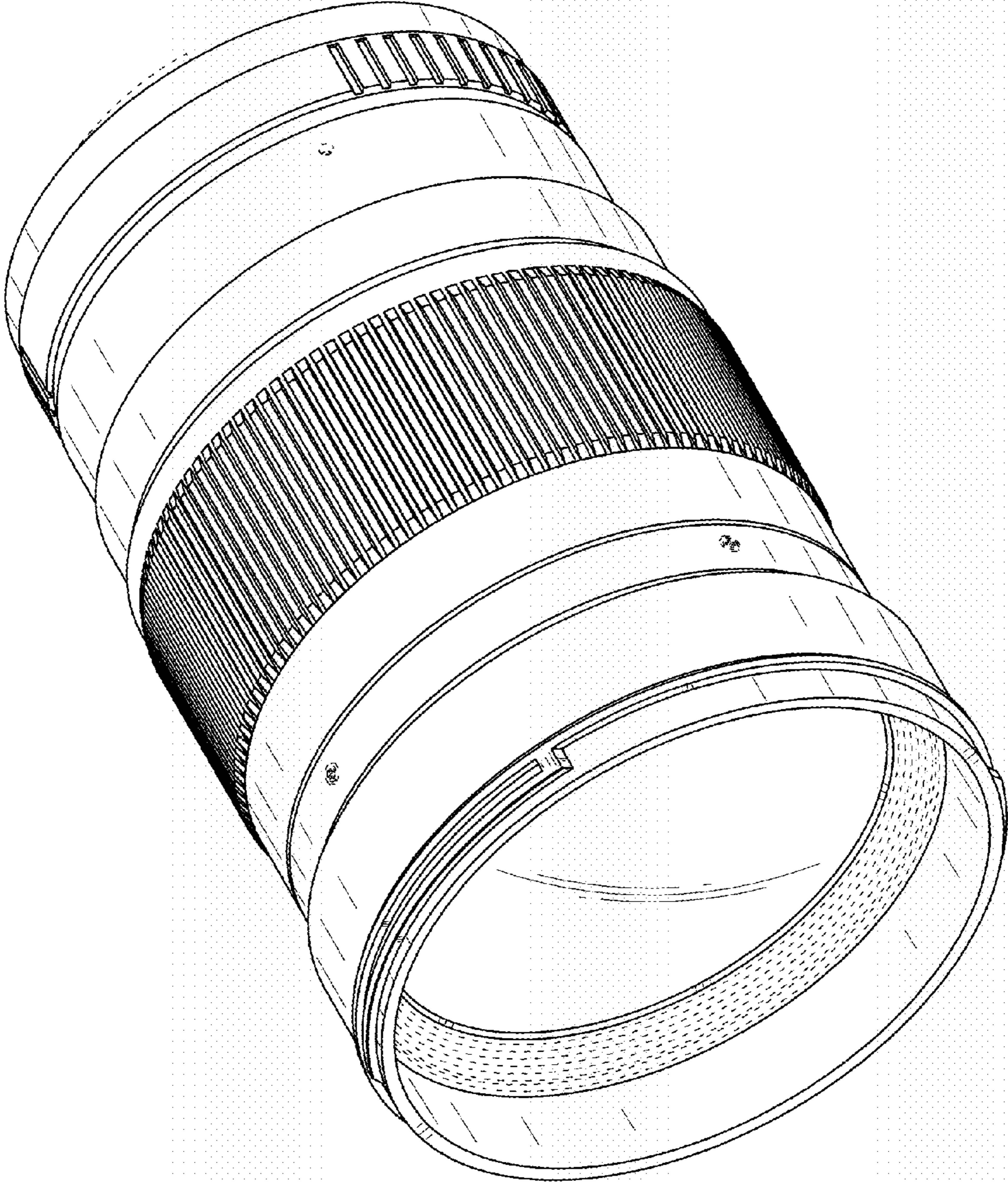


FIG. 2

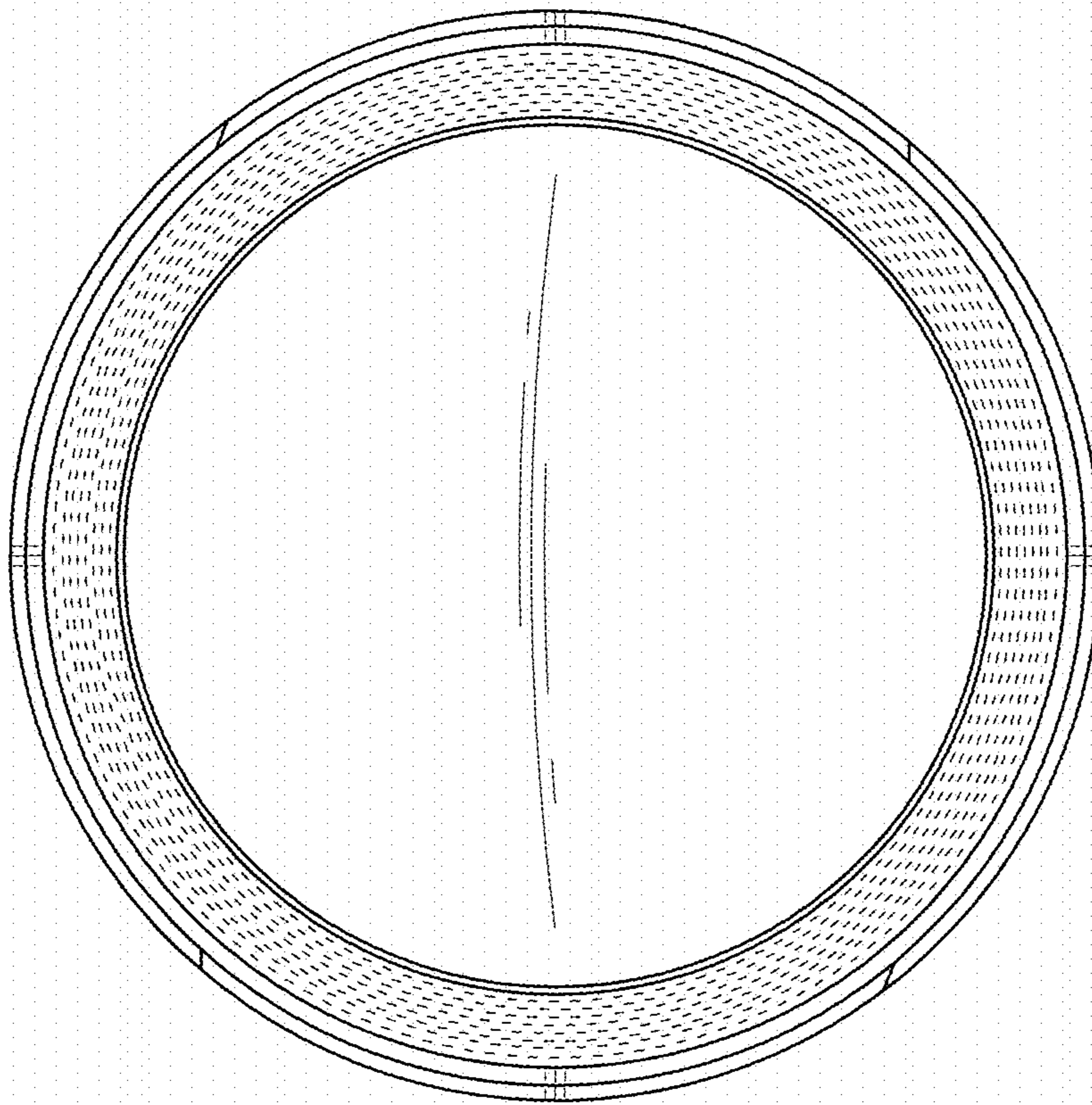


FIG. 3

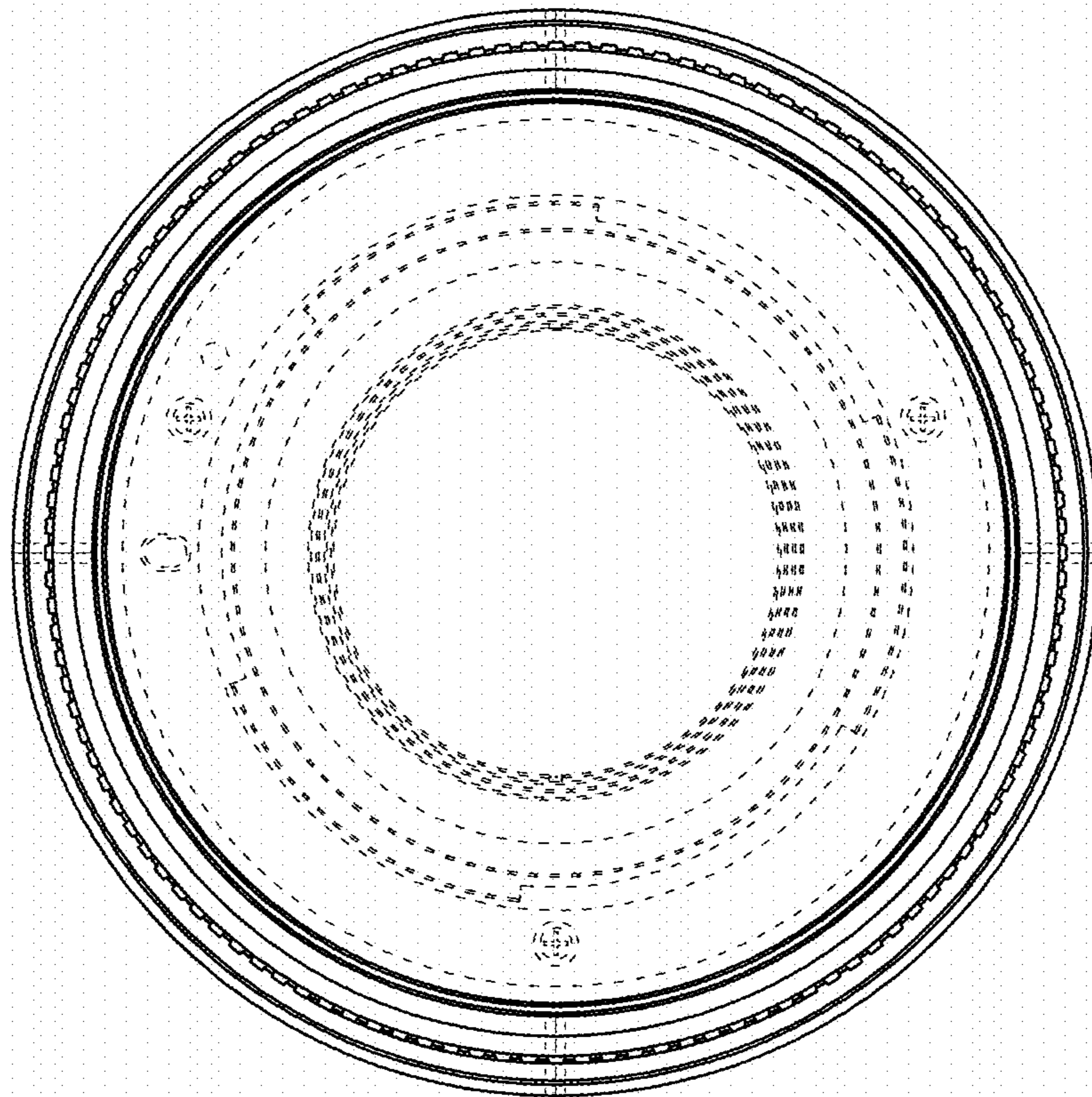


FIG. 4

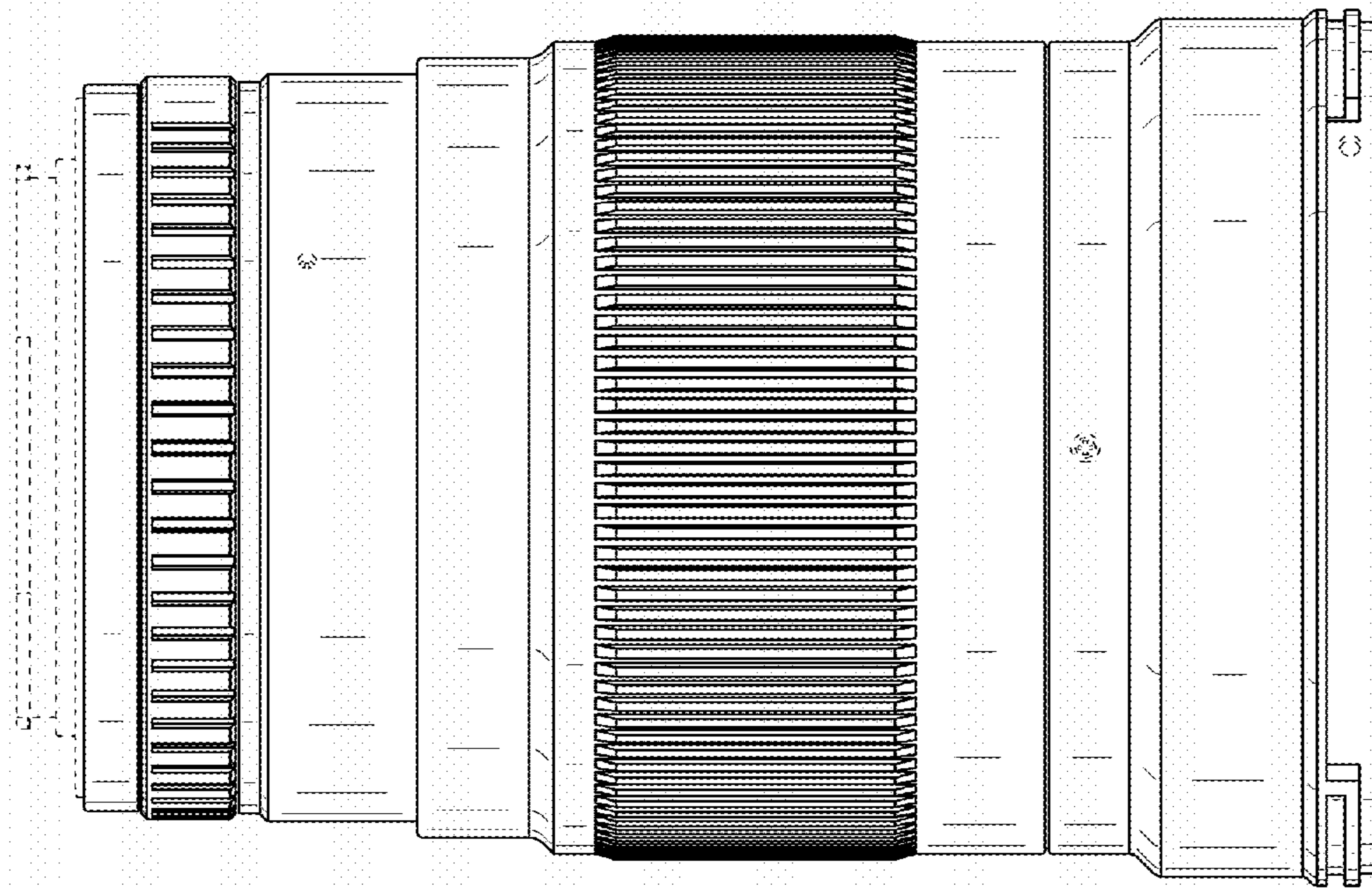


FIG. 5

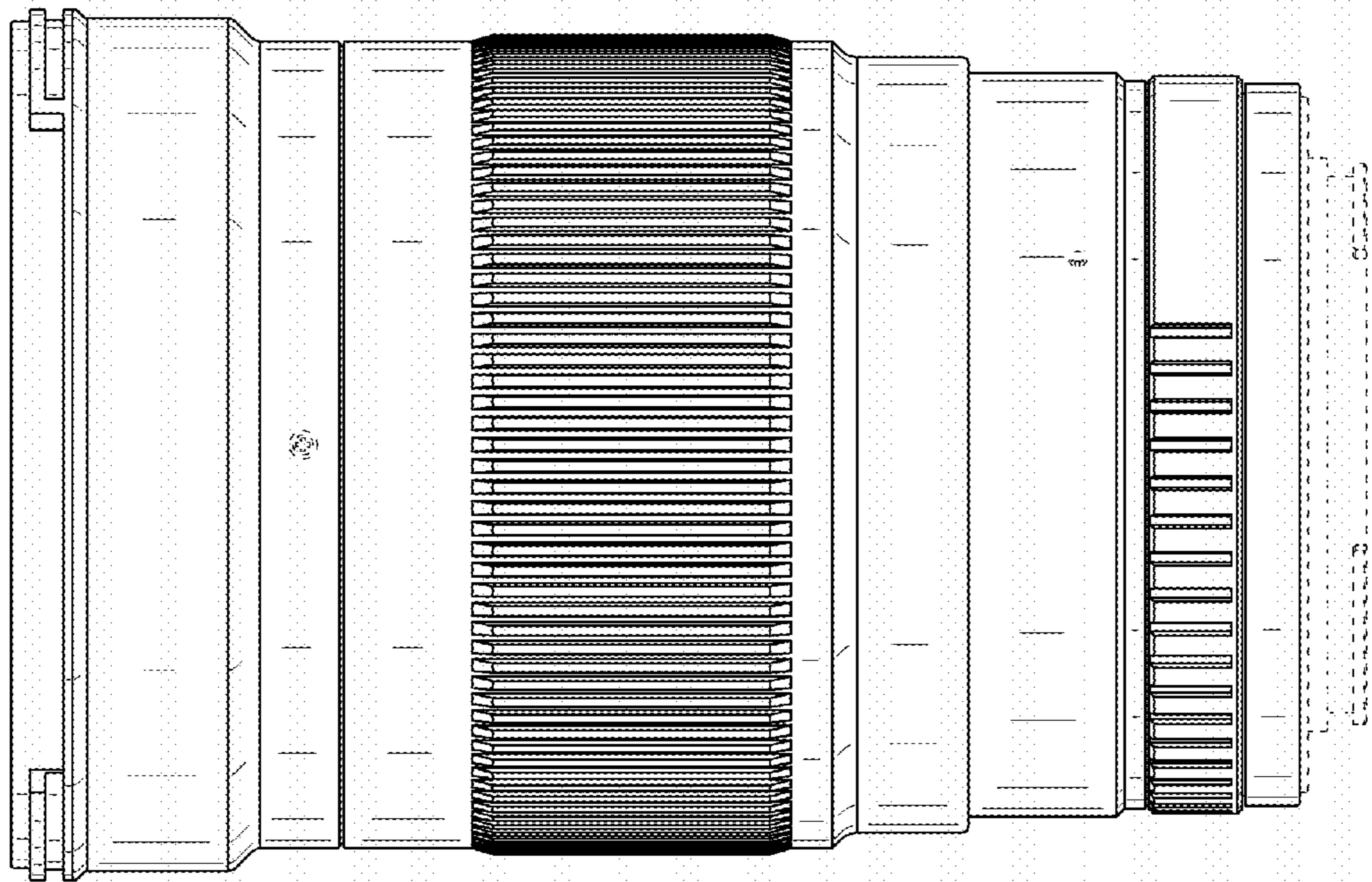


FIG. 6

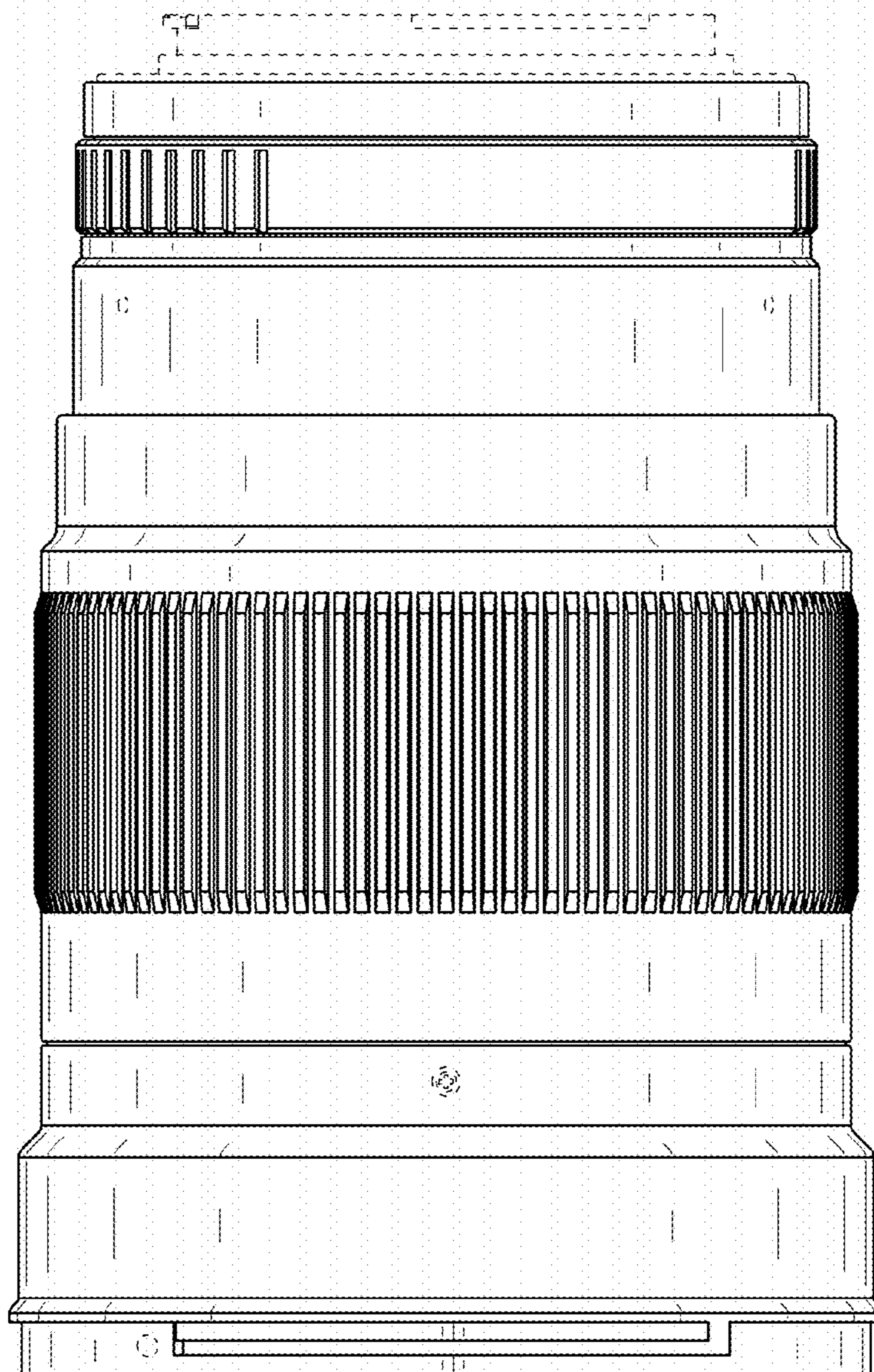


FIG. 7

