



US00D763936S

(12) **United States Design Patent**
Ruffin, Jr.

(10) **Patent No.:** **US D763,936 S**
(45) **Date of Patent:** **** Aug. 16, 2016**

- (54) **VENTED FUNNEL**
- (71) Applicant: **Larry W. Ruffin, Jr.**, Lebanon, TN (US)
- (72) Inventor: **Larry W. Ruffin, Jr.**, Lebanon, TN (US)
- (**) Term: **15 Years**
- (21) Appl. No.: **29/531,478**
- (22) Filed: **Jun. 26, 2015**
- (51) **LOC (10) Cl.** **07-99**
- (52) **U.S. Cl.**
USPC **D15/150; D7/700**
- (58) **Field of Classification Search**
USPC D7/700, 354, 356, 357, 361, 368, 396.2,
D7/667, 400, 409, 543, 523, 510, 512, 629,
D7/668, 669, 691, 589, 412, 415; D9/436,
D9/434, 435, 503, 536; D10/46.2;
D14/208; D15/150, 152; D23/200;
D24/121, 122, 123; D30/129, 132, 162
CPC A61F 5/4556; A61F 5/4553; A61F 5/455;
A61F 5/451; A61F 5/44; A61F 5/453; B01D
23/28; B01D 23/00; B01D 23/005; B01D
23/10; B01D 23/20; B01D 29/00; B01D
29/0002; B01D 29/0093; B01D 29/0095;
B01D 29/0097; B01D 29/085; B01D 29/11;
B01D 29/112; B01D 29/114; B01D 29/117;
B01D 29/13; B01D 29/31; B01D 29/115;
B01D 29/118; B01D 29/15; B01D 29/23;
B01D 29/33; B01D 29/35; B65B 39/00;
B65B 39/04; B65B 39/001; B65B 39/06;
B65B 39/12; B65B 39/14; F16N 31/00;
B67C 2011/00; B67C 2011/02; B67C
2011/20; B67C 2011/30; B67C 2011/40;
B67C 2011/022; B67C 2011/027
See application file for complete search history.

- (56) **References Cited**
U.S. PATENT DOCUMENTS
1,286,639 A * 12/1918 House B01D 23/28
210/482
1,650,317 A * 11/1927 Blunck B01D 23/28
210/472
1,836,612 A * 12/1931 Miller B67C 11/02
73/294

- D217,180 S * 4/1970 Holland 141/333
- 3,807,466 A * 4/1974 Minneman B65B 39/00
141/332
- 4,823,848 A * 4/1989 Sentmore, Sr. B67C 11/00
141/334
- 4,901,776 A * 2/1990 Attinello B67C 11/02
116/228
- 4,976,297 A * 12/1990 Peckels B67C 11/02
116/109
- 5,277,234 A * 1/1994 Warstler B67C 11/04
141/297
- D364,630 S * 11/1995 Akiona D15/150
- D380,481 S * 7/1997 Pournaghdi D15/150

(Continued)

OTHER PUBLICATIONS

<http://www.amazon.com/SpeedyFLO-vented-funnel-combo-pack/dp/B013HD5MGI>—Date first available Aug. 5, 2015.*

(Continued)

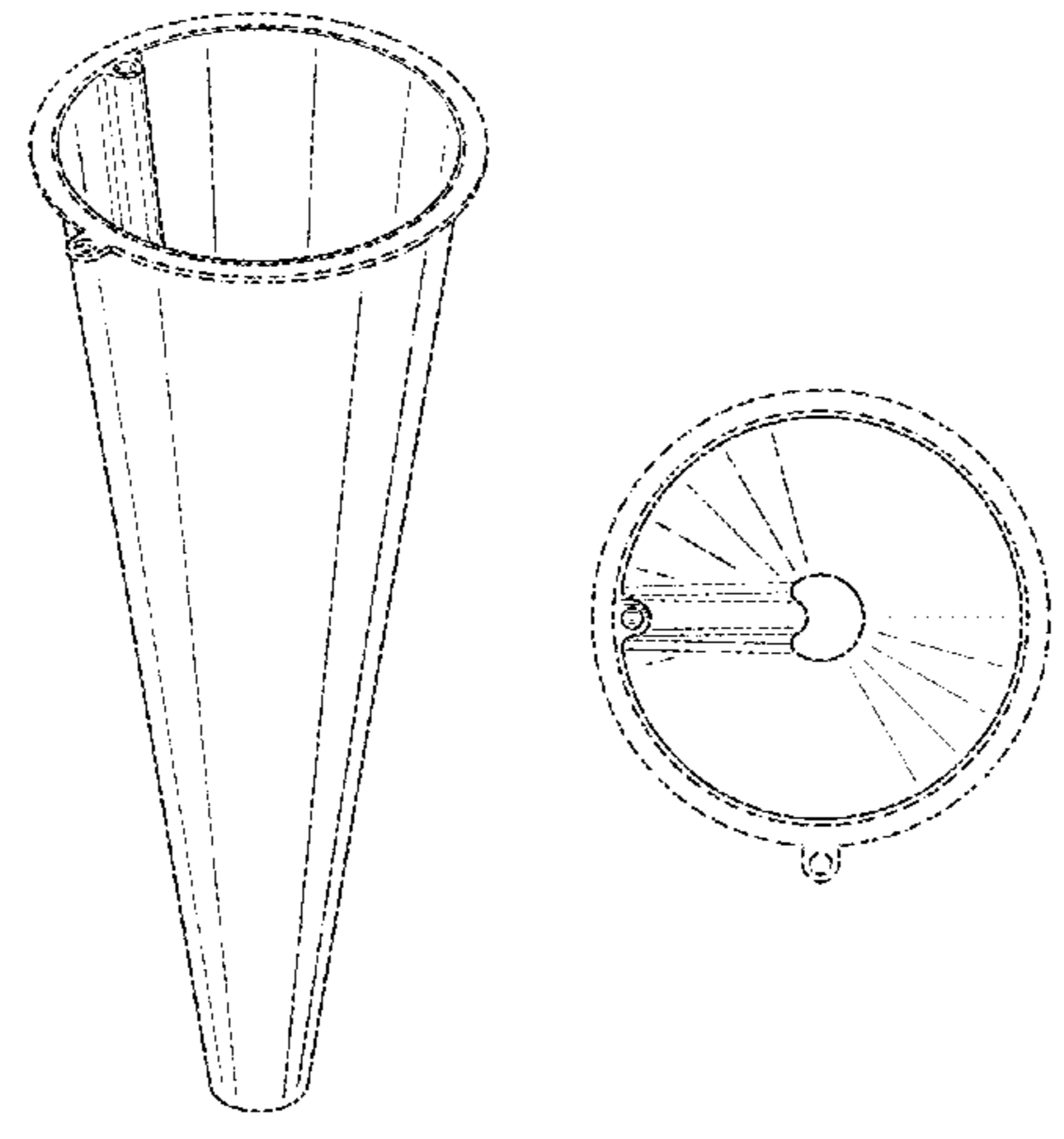
Primary Examiner — Manpreet Matharu
Assistant Examiner — Mojtaba Tehrani
(74) *Attorney, Agent, or Firm* — Waller Lansden Dortch & Davis; Mark A. Pitchford

(57) **CLAIM**
The ornamental design for a vented funnel, as shown and described.

DESCRIPTION

FIG. 1 is a top isometric view of a vented funnel, showing my new design;
FIG. 2 is a bottom isometric view thereof;
FIG. 3 is a left side view thereof;
FIG. 4 is a front side view thereof;
FIG. 5 is a right side view thereof;
FIG. 6 is a rear side view thereof;
FIG. 7 is a top plan view thereof; and,
FIG. 8 is a bottom plan view thereof.
The broken line in the figure drawings represents unclaimed environment only and forms no part of the claimed design.

1 Claim, 4 Drawing Sheets



(56)

References Cited

U.S. PATENT DOCUMENTS

D383,643 S * 9/1997 Mendenhall D7/412
D393,061 S * 3/1998 Mandich D23/309
D397,581 S * 9/1998 Lowery D7/409
D420,870 S * 2/2000 DeCoster D10/46.2
6,083,392 A * 7/2000 Rigney A47J 37/1271
210/451
6,116,299 A * 9/2000 Cummins B67C 9/00
141/332
6,318,422 B2 * 11/2001 Woratyla 141/331
6,460,582 B1 * 10/2002 Smith B60K 15/04
141/331

D511,455 S * 11/2005 Newell D9/436
D539,417 S * 3/2007 Cimino D24/108
D548,329 S * 8/2007 Cimino D24/108
D649,239 S * 11/2011 Taravella D24/122
D657,637 S * 4/2012 Gascoine D7/700
D738,169 S * 9/2015 Weisenbach D7/700
2001/0032682 A1 * 10/2001 Woratyla B67C 11/02
141/333

OTHER PUBLICATIONS

<https://www.youtube.com/watch?v=wrryy5mih5o>—Published on Jul. 27, 2015.*

* cited by examiner

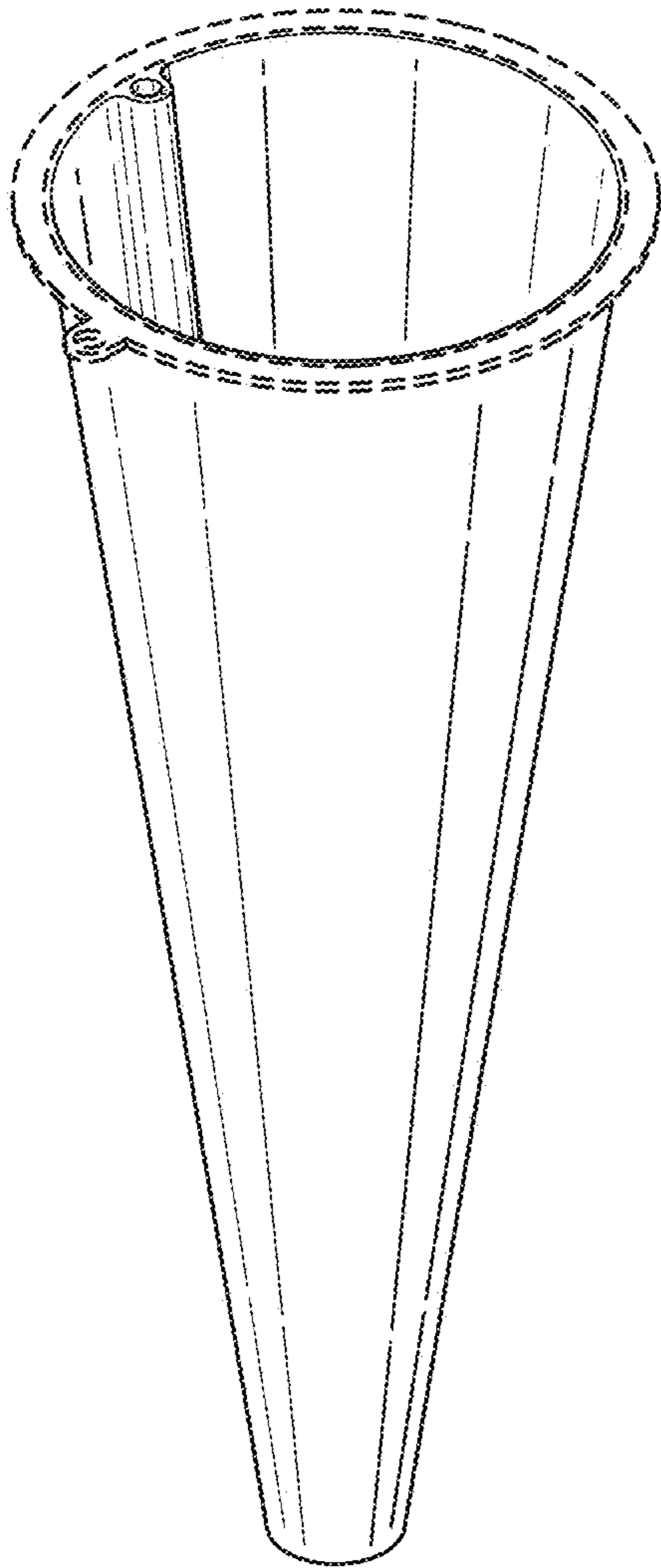


FIG. 1

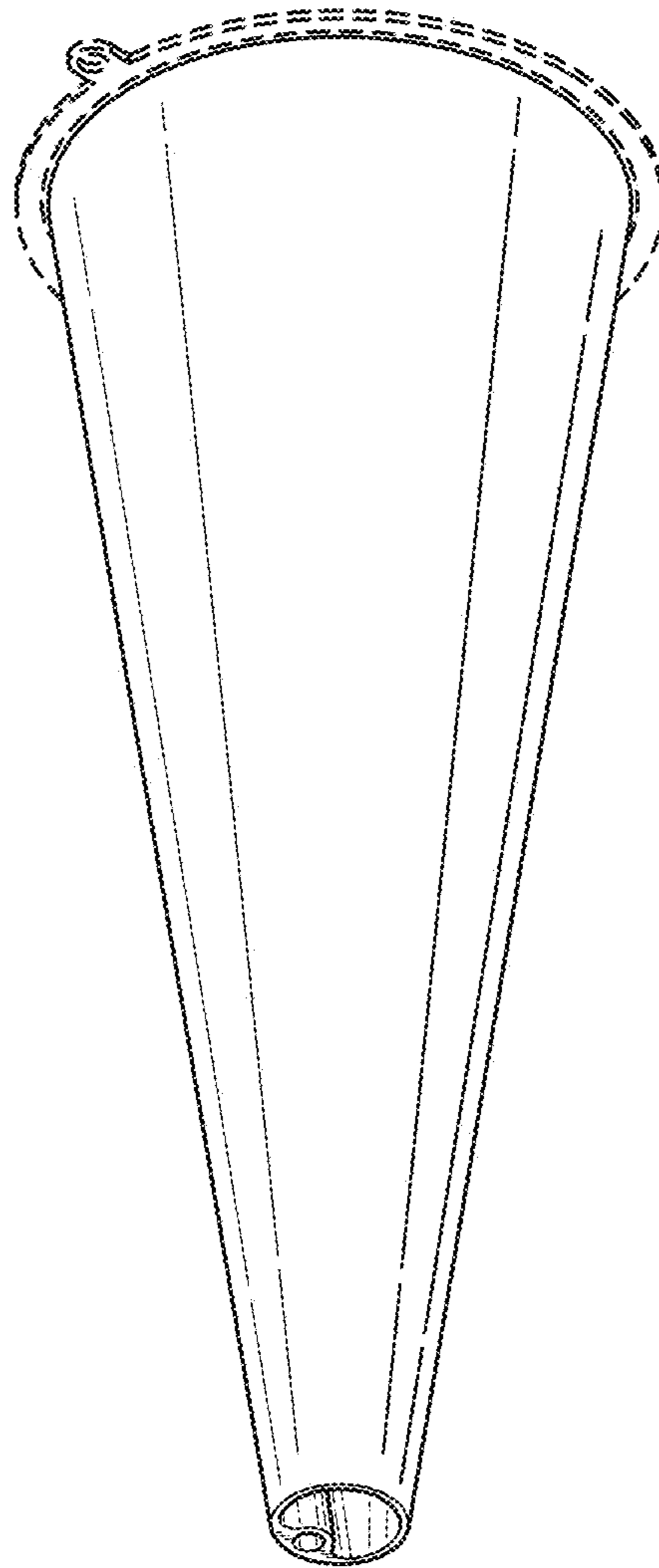


FIG. 2

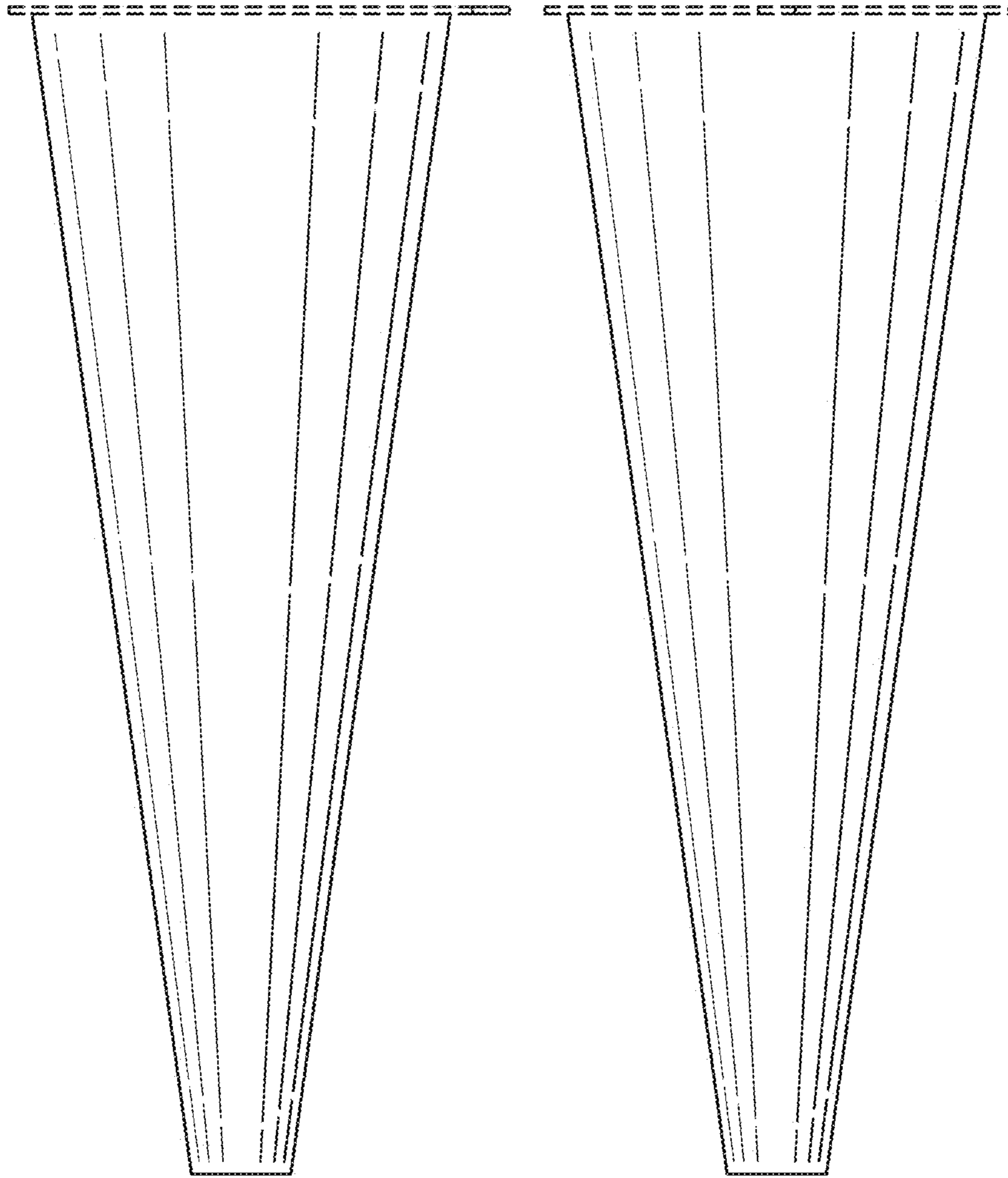


FIG. 3

FIG. 4

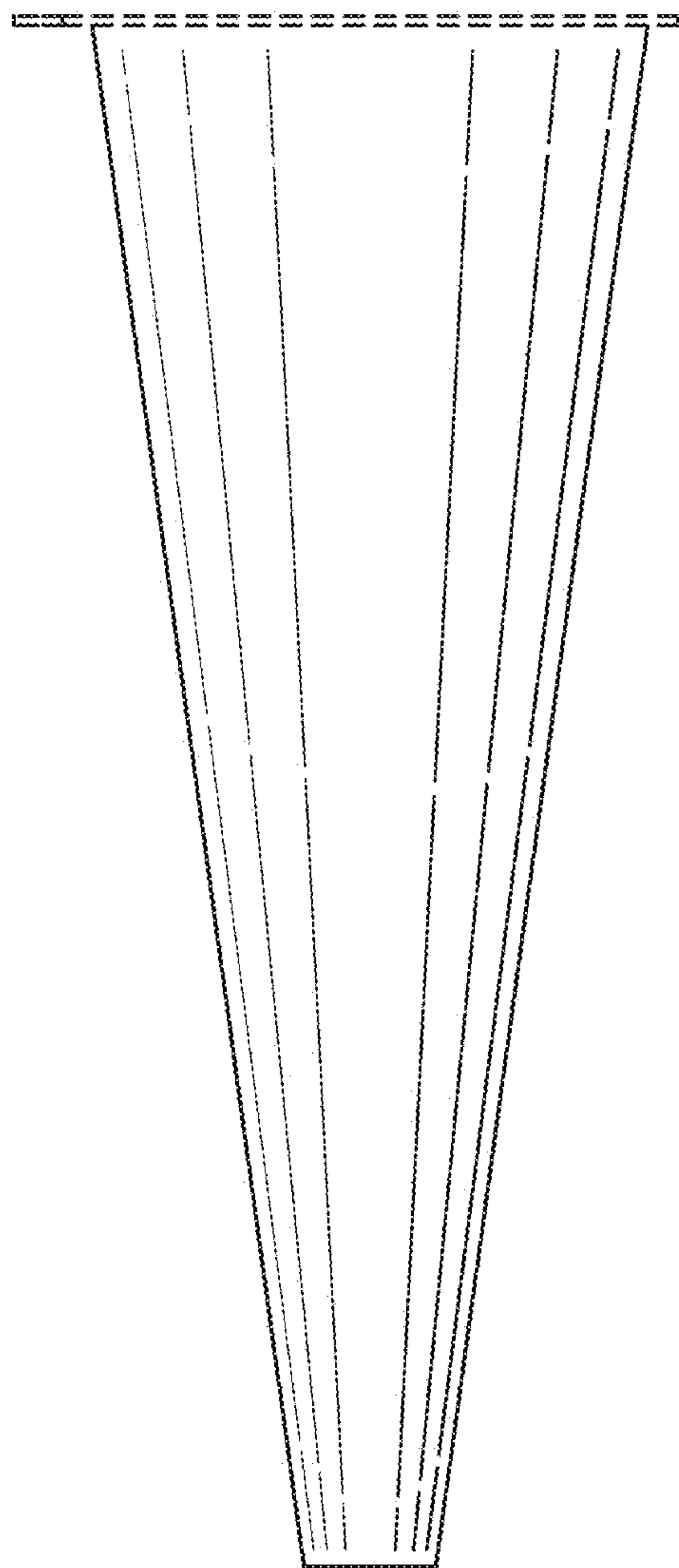


FIG. 5

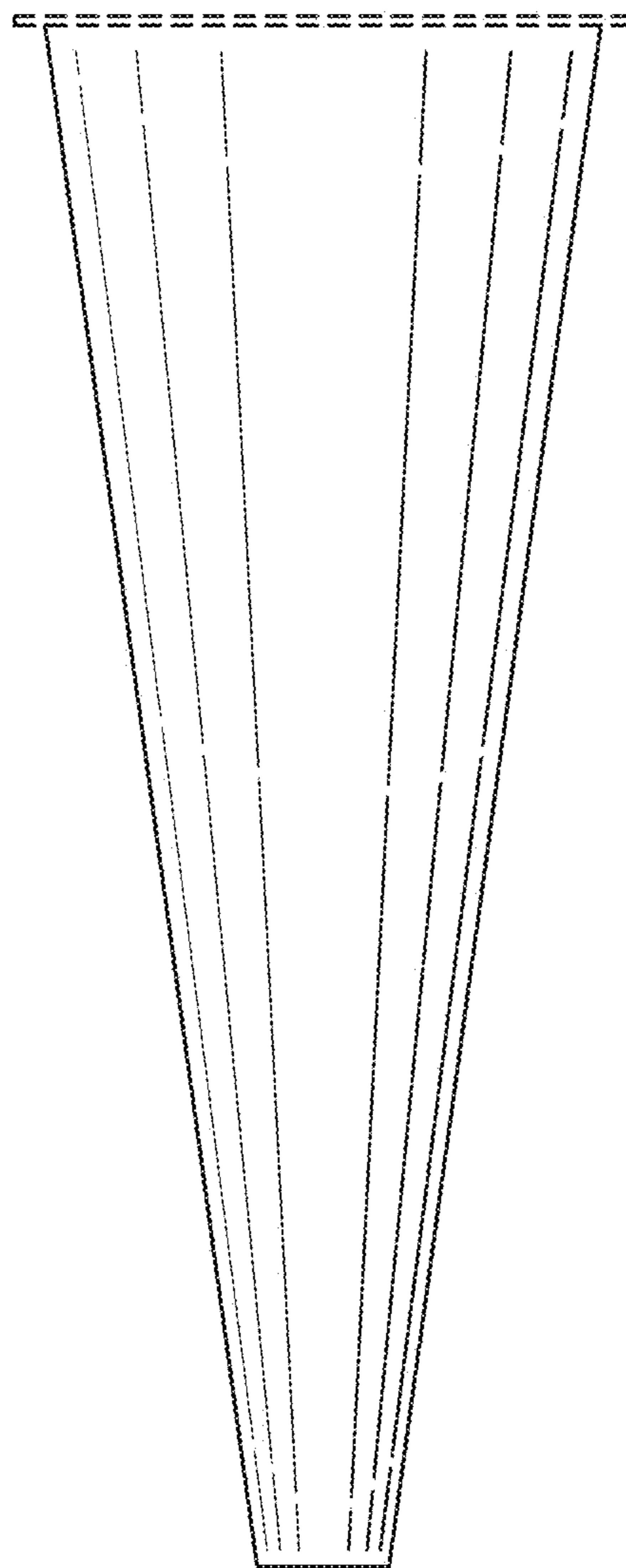


FIG. 6

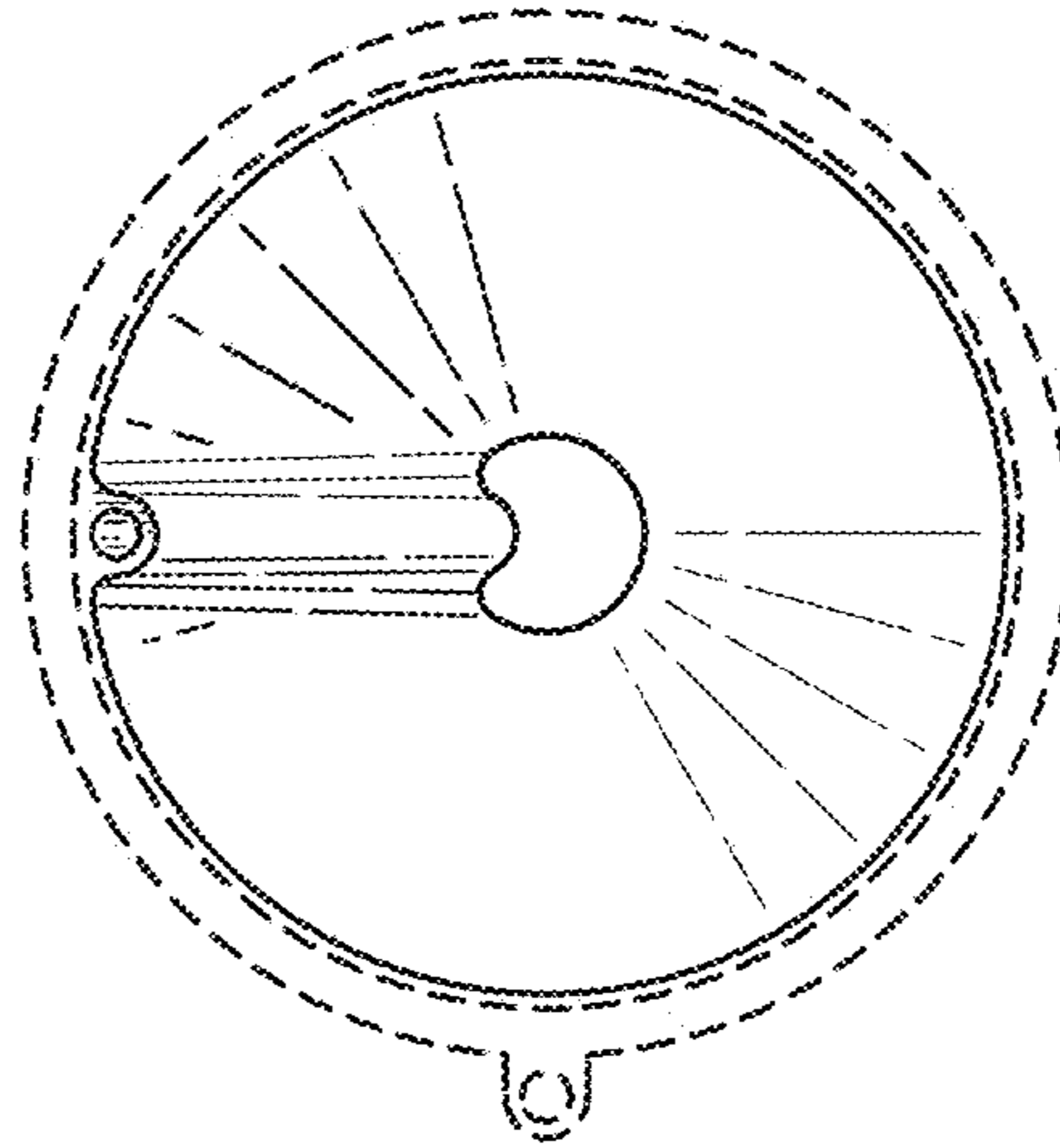


FIG. 7

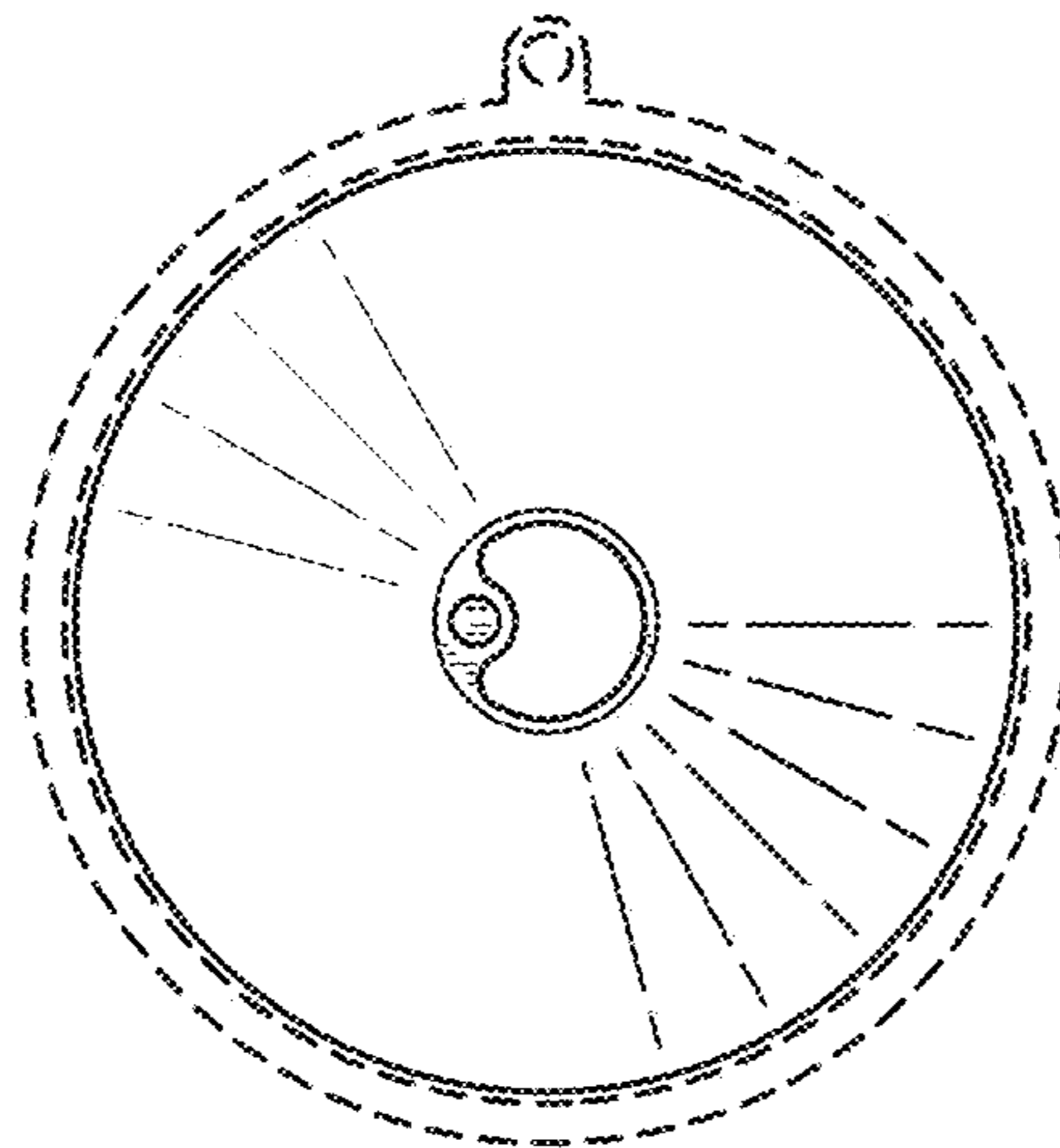


FIG. 8