



US00D763935S

(12) **United States Design Patent**
Hassan et al.

(10) **Patent No.:** **US D763,935 S**
(45) **Date of Patent:** **** Aug. 16, 2016**

(54) **HEAVY DUTY NOZZLE**

(71) Applicant: **Victor Equipment Company**, Denton, TX (US)

(72) Inventors: **Khalid Hassan**, Denton, TX (US);
David Wilton, Chesterfield, MO (US)

(73) Assignee: **Victor Equipment Company**, Denton, TX (US)

(**) Term: **14 Years**

(21) Appl. No.: **29/508,002**

(22) Filed: **Oct. 31, 2014**

(51) **LOC (10) Cl.** **15-09**

(52) **U.S. Cl.**
USPC **D15/144**

(58) **Field of Classification Search**
USPC D15/138-144.2, 21, 123; 299/104-111;
241/207; 219/137.31, 137.42-137.44,
219/137.61-137.63, 74, 75; D8/70;
D23/223, 213; 239/419, 424.5, 549
See application file for complete search history.

(56) **References Cited**

U.S. PATENT DOCUMENTS

2,514,777 A * 7/1950 Marra 239/424.5
2,727,126 A * 12/1955 Guest et al. 219/75
D225,185 S * 11/1972 Kittner D23/213

D231,928 S * 6/1974 Nelson D23/213
4,158,763 A * 6/1979 Moerke 219/137.42
D281,349 S * 11/1985 Goldish D23/223
5,045,665 A * 9/1991 Sarkissian 219/75
D371,426 S * 7/1996 Darin D23/213
D459,785 S * 7/2002 Chih D23/213
6,892,963 B1 * 5/2005 Scarpa et al. 239/424.5
D542,815 S * 5/2007 Concari et al. D15/140
D565,697 S * 4/2008 Thiel et al. D23/213
D589,319 S * 3/2009 Peters D8/70
D594,306 S * 6/2009 Decker D8/70
8,552,341 B2 * 10/2013 Zamuner 219/137.31
D703,713 S * 4/2014 Frazier D15/139
D717,626 S * 11/2014 Dickrede D8/70

* cited by examiner

Primary Examiner — Susan Bennett Hattan
Assistant Examiner — Brett Miller

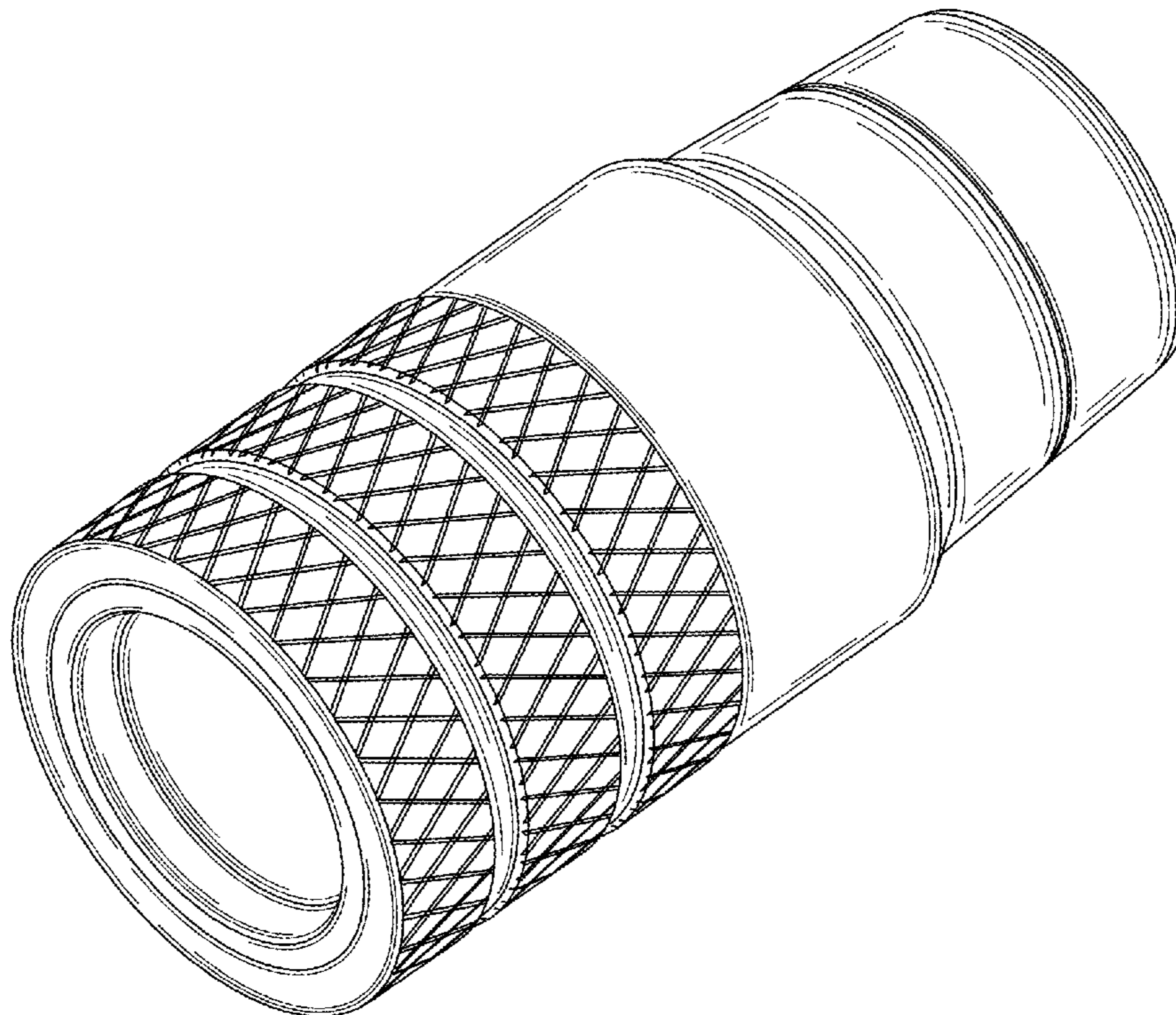
(57) **CLAIM**

The ornamental design for a heavy duty nozzle, as shown and described.

DESCRIPTION

FIG. 1 is a front perspective view of the heavy duty nozzle;
FIG. 2 is a rear perspective view;
FIG. 3 is a side view;
FIG. 4 is another side view;
FIG. 5 is a front view; and,
FIG. 6 is a rear view.
The broken lines depict unclaimed portions of the nozzle and form no part of the claimed design.

1 Claim, 6 Drawing Sheets



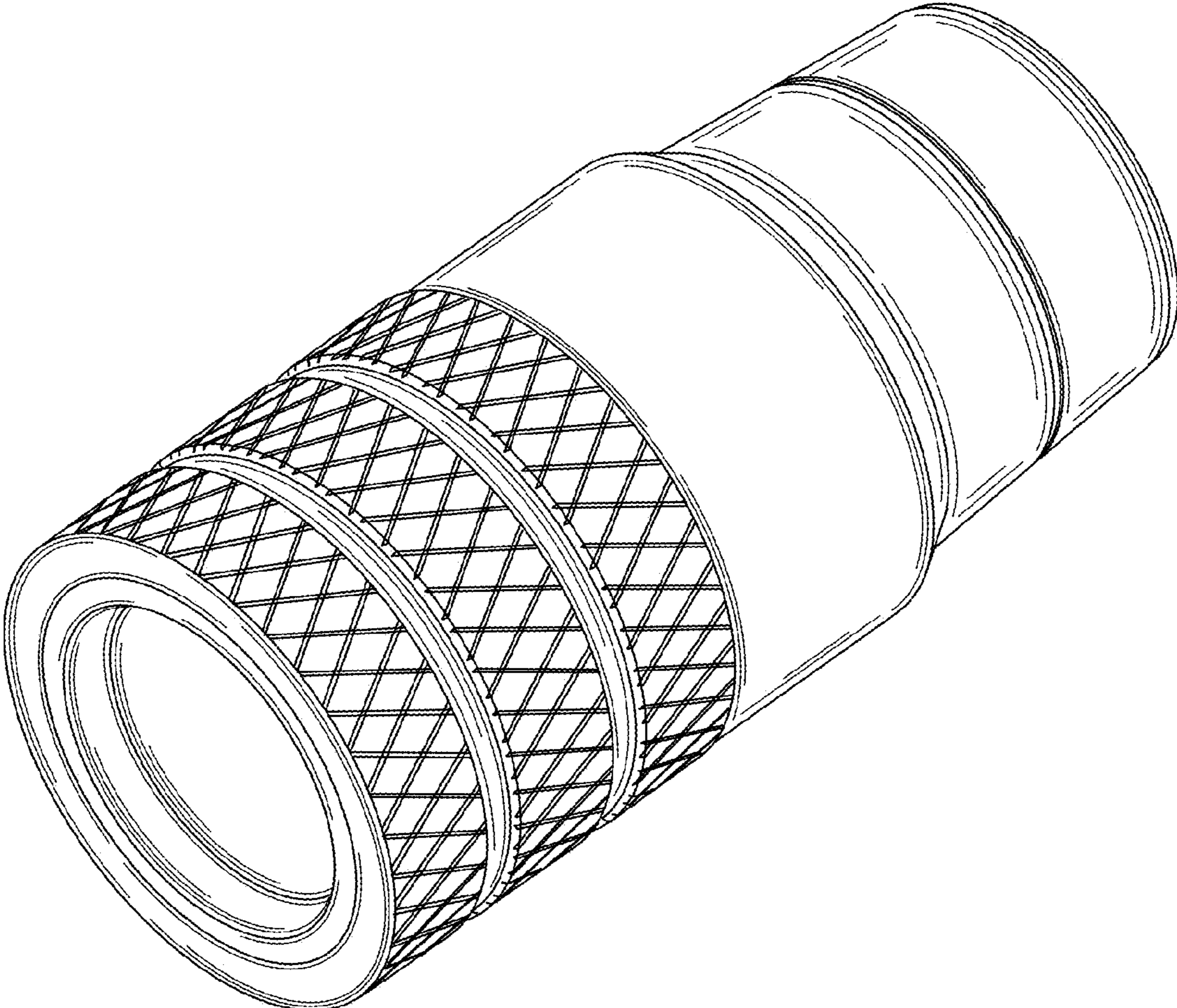


FIG. 1

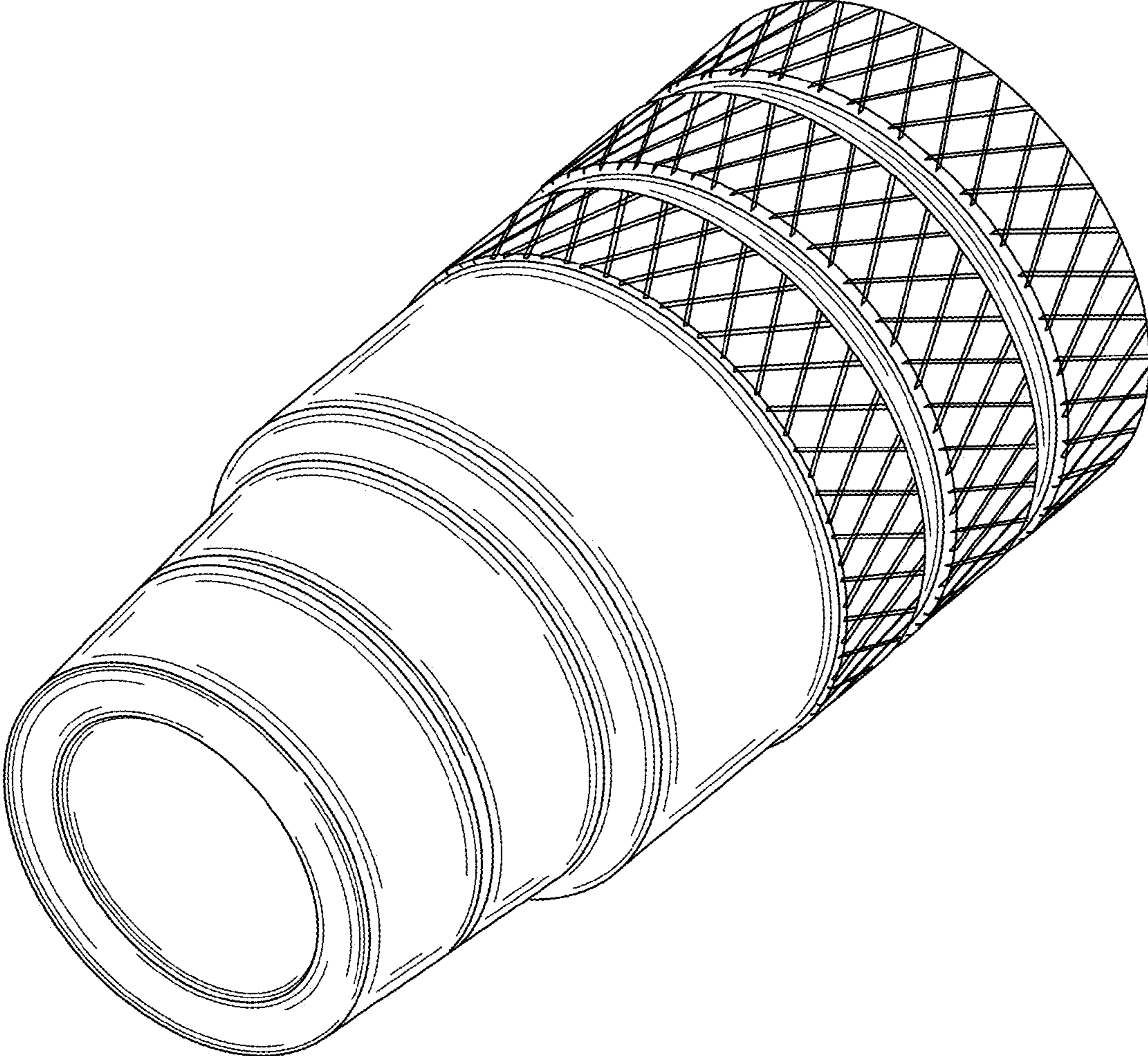


FIG. 2

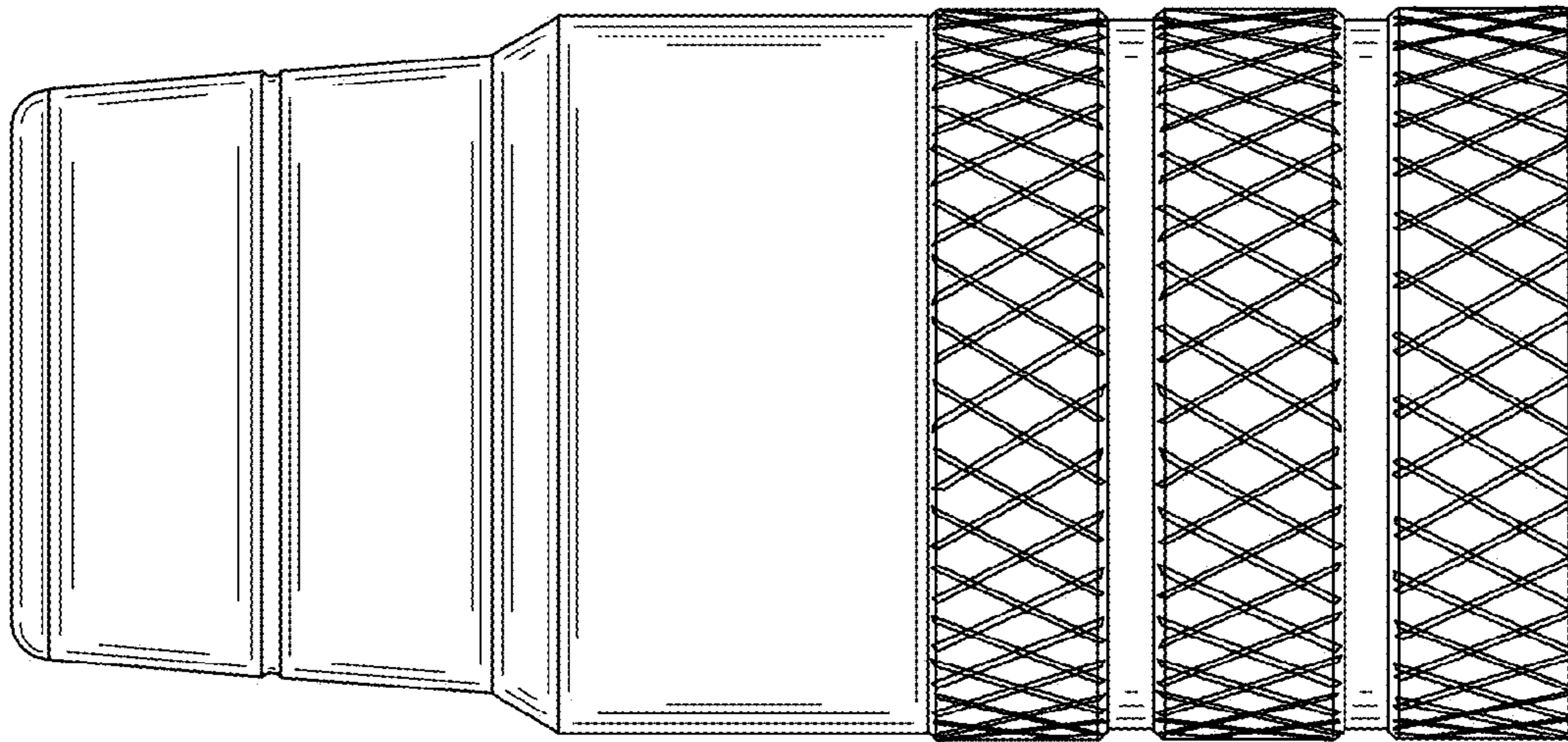


FIG. 3

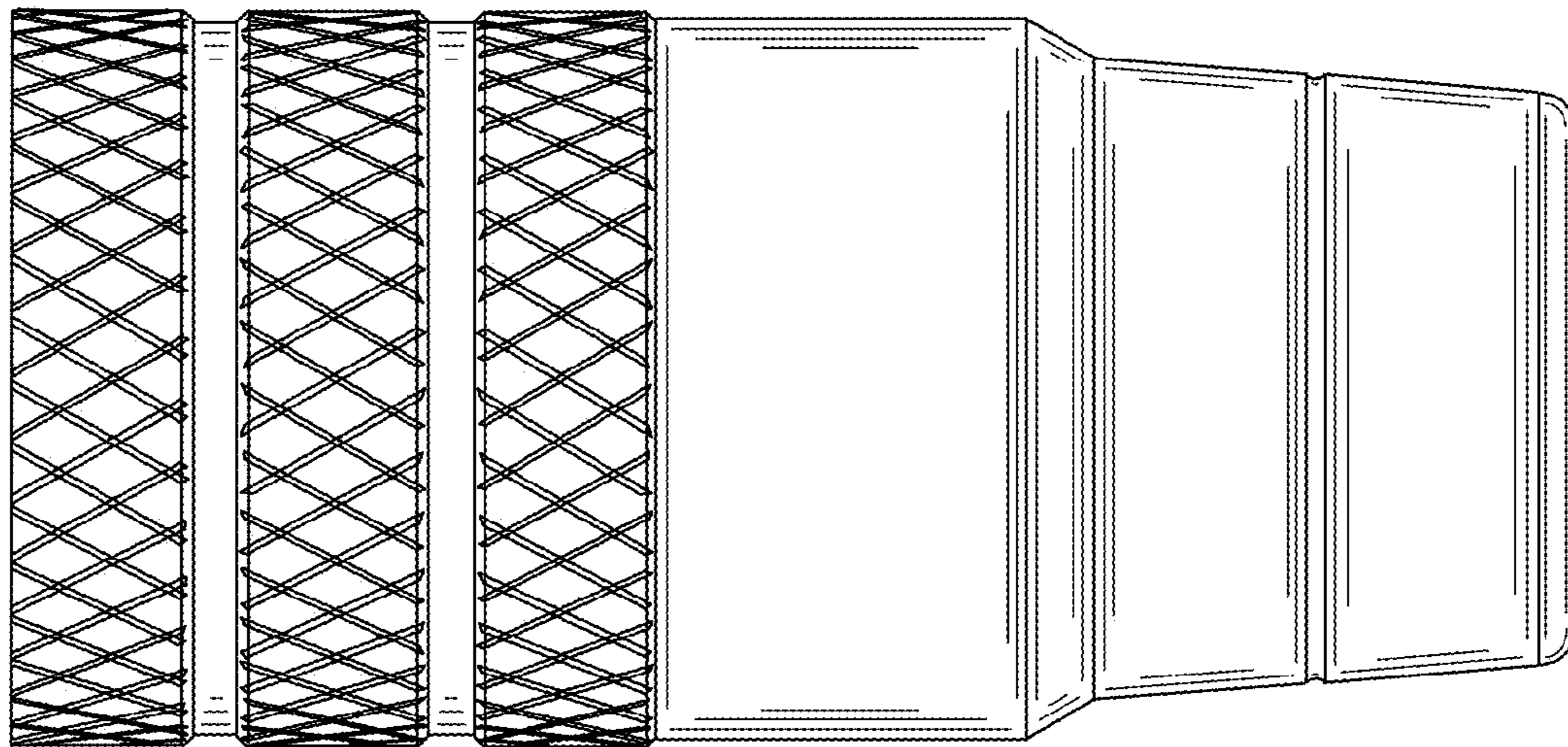


FIG. 4

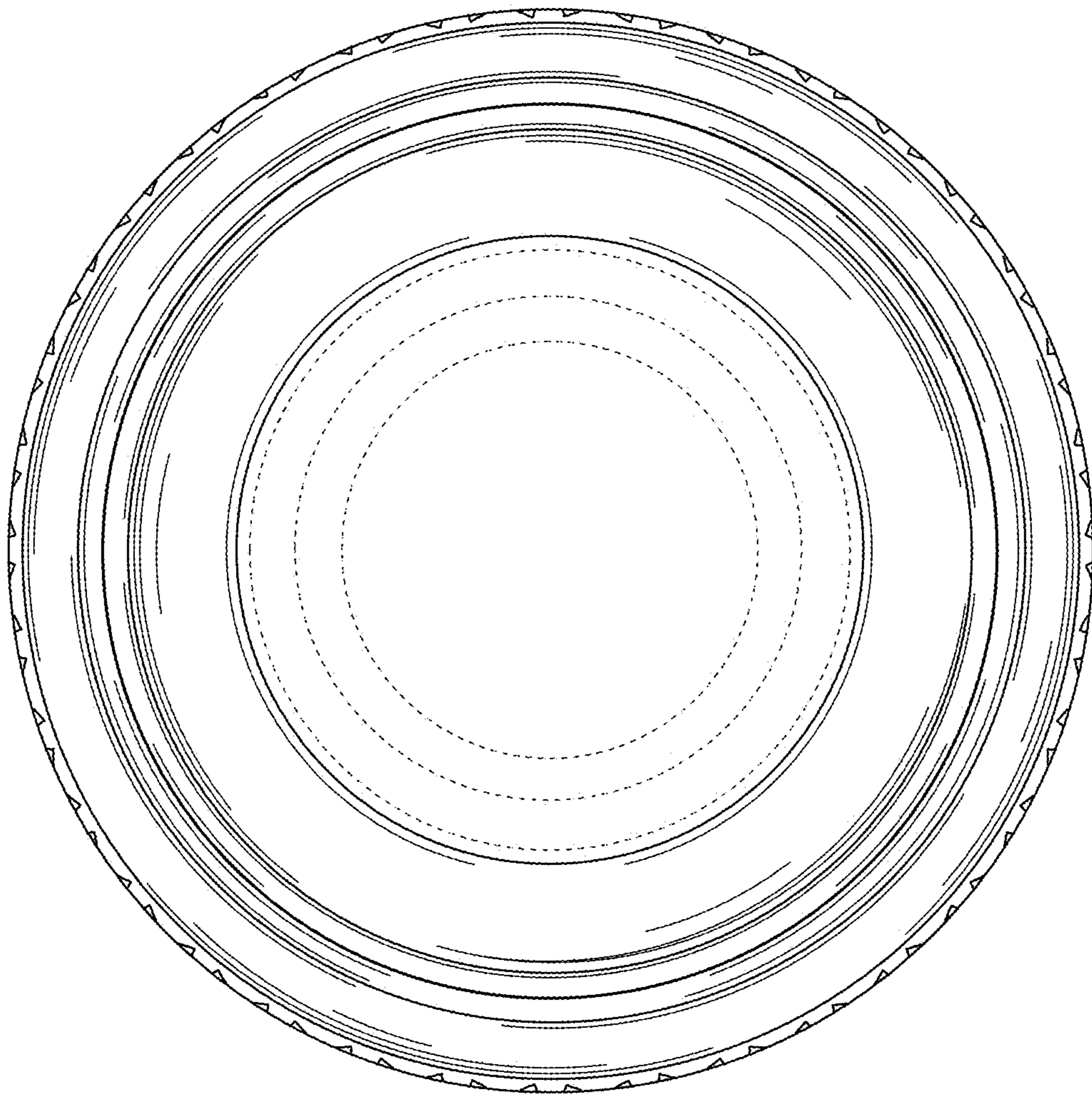


FIG. 5

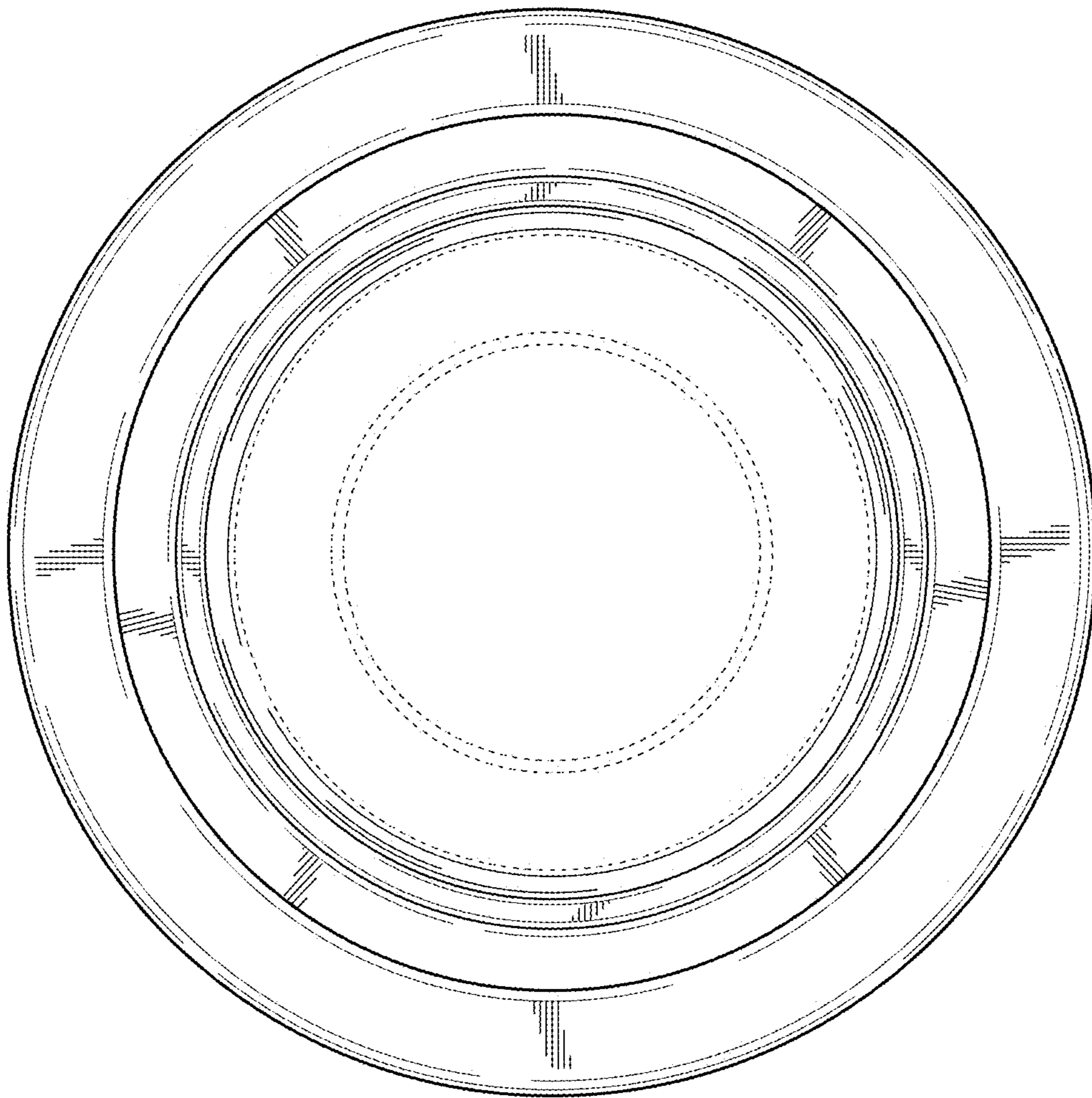


FIG. 6