



US00D763934S

(12) **United States Design Patent**  
**Landerholm et al.**

(10) **Patent No.:** **US D763,934 S**  
(45) **Date of Patent:** **\*\* Aug. 16, 2016**

(54) **LINEAR DUAL ACTUATOR**

(71) Applicant: **LINAK A/S**, Nordborg (DK)

(72) Inventors: **John Landerholm**, Risskov (DK); **Peter Boldsen Lund**, Aarhus (DK)

(73) Assignee: **Linak A/S**, Nordborg (DK)

(\*\*) Term: **14 Years**

(21) Appl. No.: **29/519,841**

(22) Filed: **Mar. 9, 2015**

(30) **Foreign Application Priority Data**

Sep. 9, 2014 (DK) ..... 2014 00083

(51) **LOC (10) Cl.** ..... **15-09**

(52) **U.S. Cl.**  
USPC ..... **D15/143**

(58) **Field of Classification Search**  
USPC ..... D15/143, 148, 199  
See application file for complete search history.

(56) **References Cited**

**U.S. PATENT DOCUMENTS**

D487,902 S \* 3/2004 Nielsen ..... D15/143  
6,848,327 B2 \* 2/2005 Nagai ..... F16C 29/063  
74/89.23

D567,753 S 4/2008 Landerholm et al.  
D576,646 S \* 9/2008 Liao ..... D15/143  
D624,102 S \* 9/2010 Tseng ..... D15/143  
D686,257 S \* 7/2013 Wu ..... D15/143  
D702,744 S \* 4/2014 Lin ..... D15/143  
D708,239 S \* 7/2014 Lin ..... D15/143  
2014/0013878 A1 \* 1/2014 Kollreider ..... A47B 9/04  
74/89.35

\* cited by examiner

*Primary Examiner* — Patricia Palasik

(74) *Attorney, Agent, or Firm* — Dykema Gossett PLLC

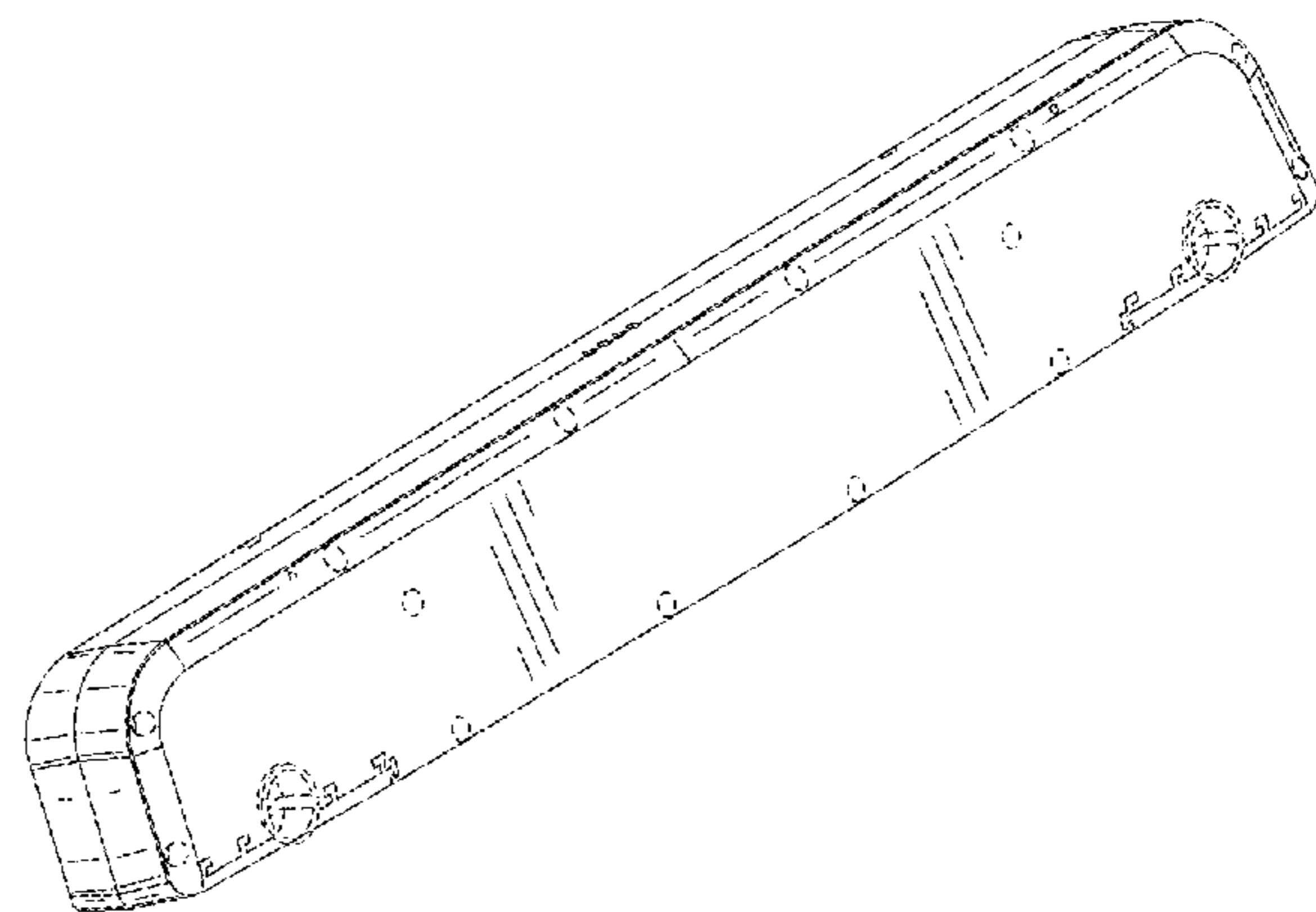
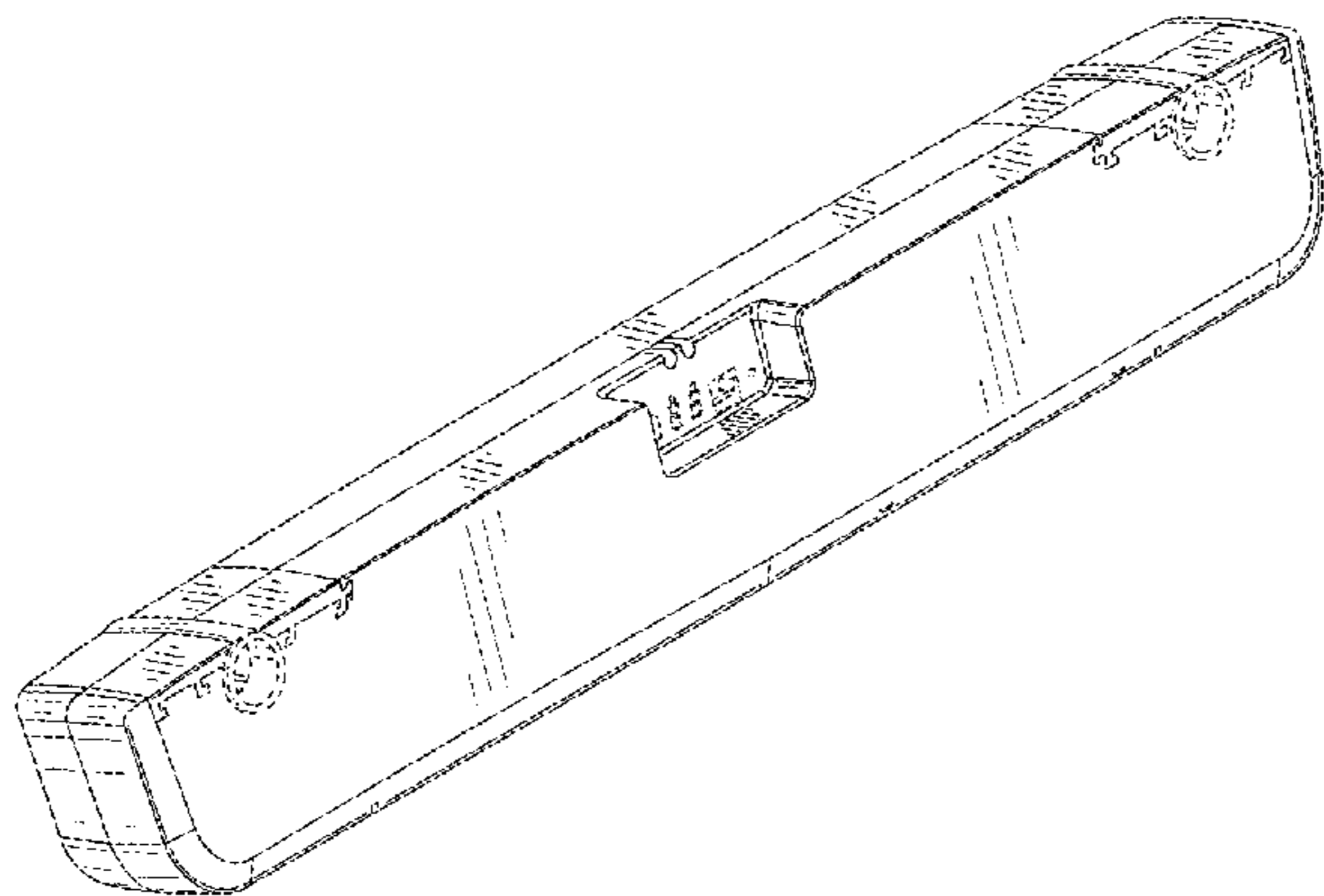
(57) **CLAIM**

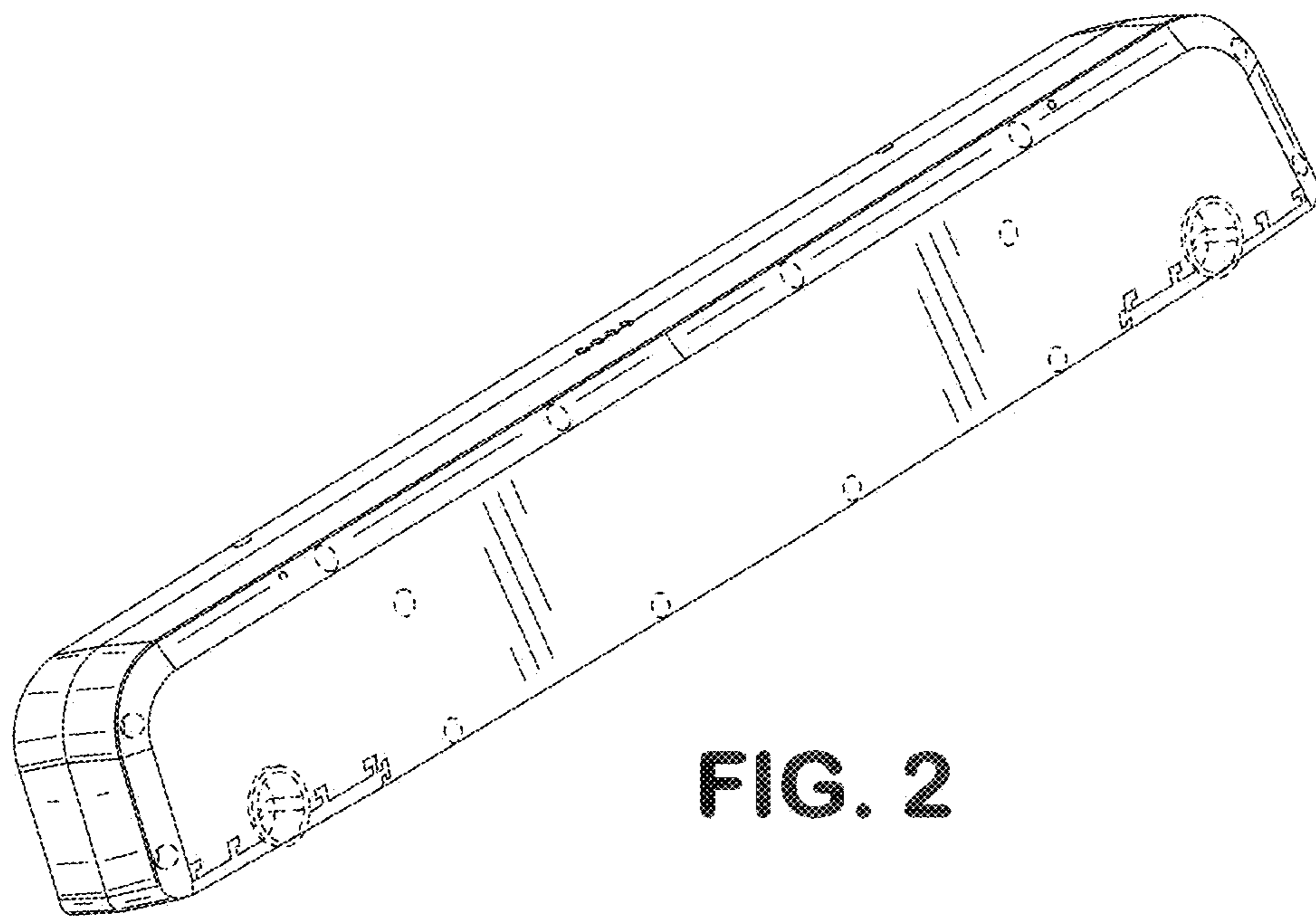
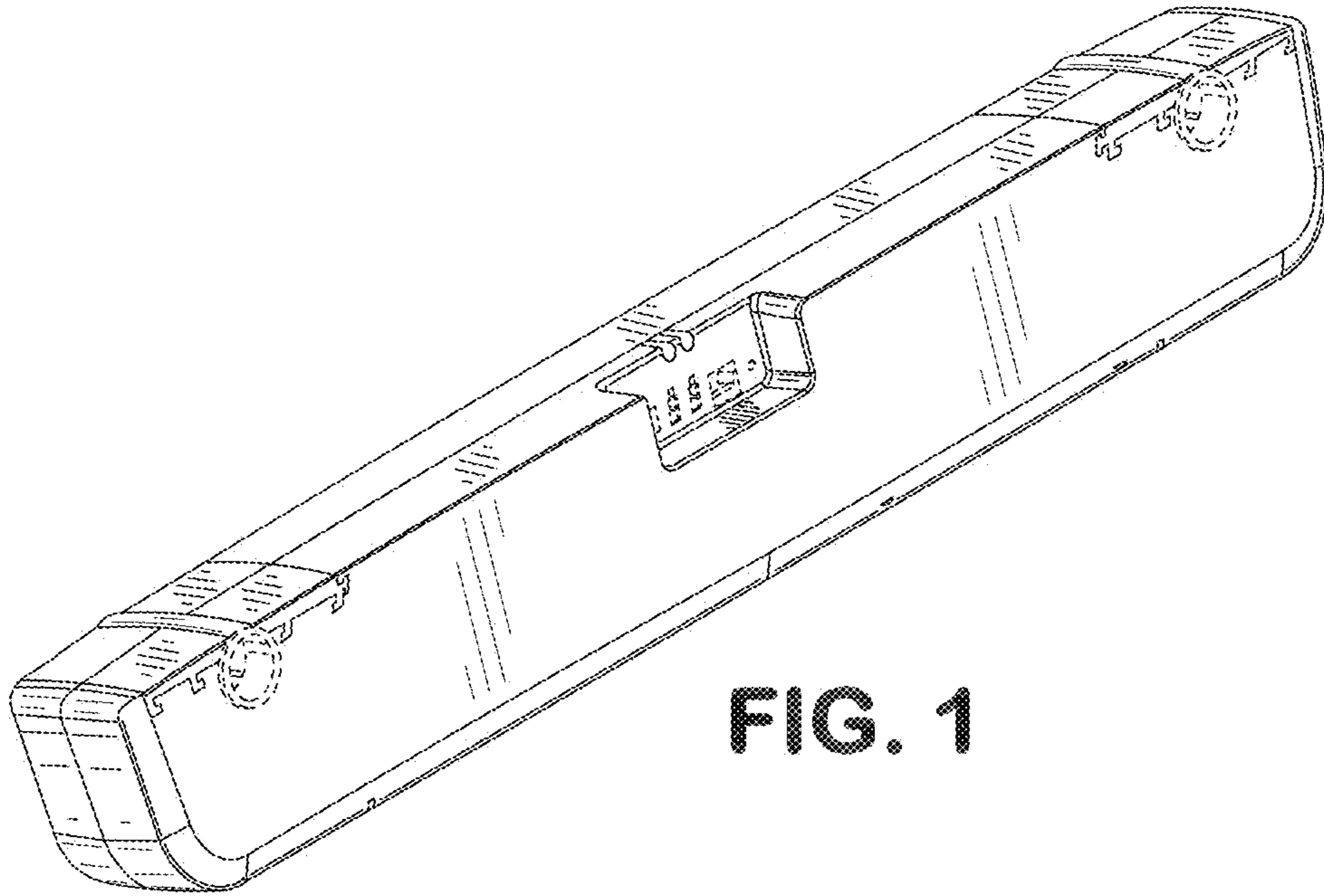
The ornamental design for a linear dual actuator, as shown and described.

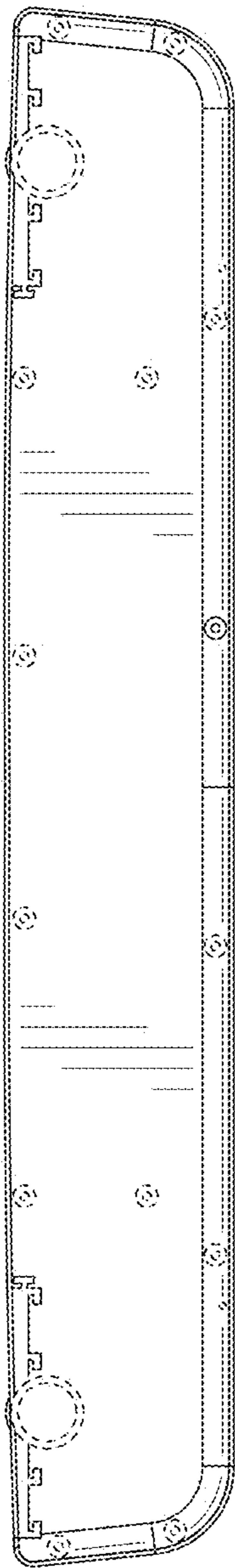
**DESCRIPTION**

FIG. 1 is a perspective front view of a linear dual actuator showing our new and ornamental design, FIG. 2 is a perspective rear view thereof, FIG. 3 is a top plan view thereof, FIG. 4 is a bottom plan view thereof, FIG. 5 is an elevational rear view thereof, FIG. 6 is an elevational front view thereof, FIG. 7 is a left end view thereof; and, FIG. 8 is a right end view thereof. The broken lines in the drawings depict unclaimed environmental subject matter.

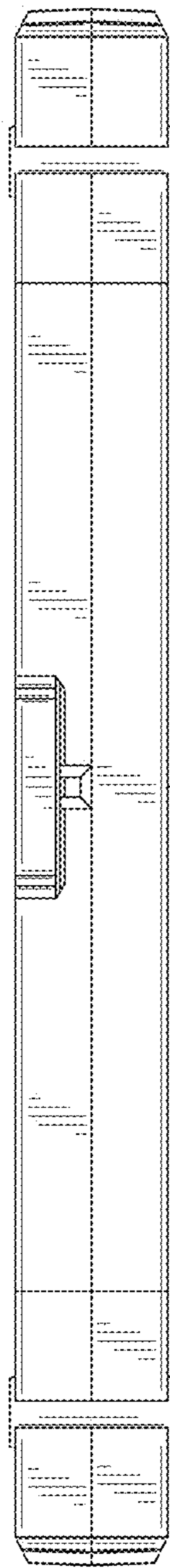
**1 Claim, 2 Drawing Sheets**



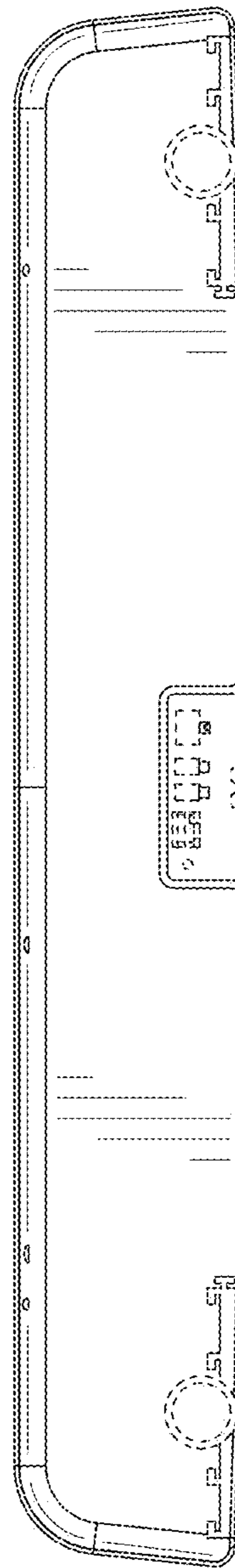




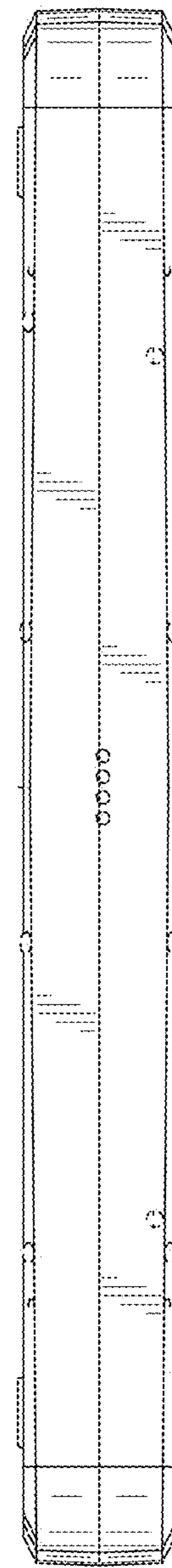
**FIG. 5**



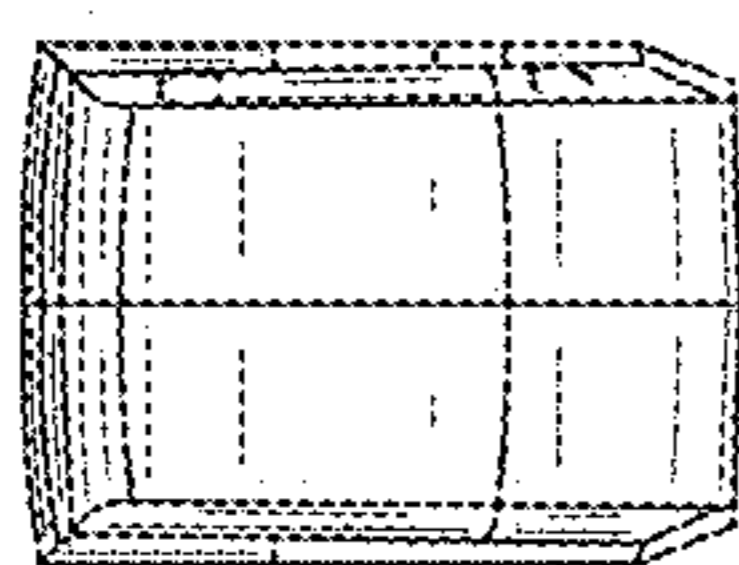
**FIG. 3**



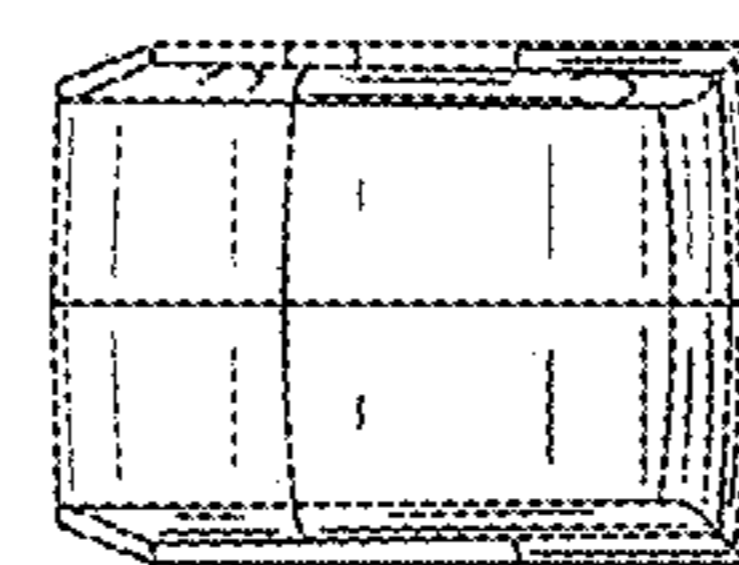
**FIG. 6**



**FIG. 4**



**FIG. 7**



**FIG. 8**