



US00D763933S

(12) **United States Design Patent**
Johnston et al.

(10) **Patent No.:** **US D763,933 S**
(45) **Date of Patent:** **** Aug. 16, 2016**

(54) **PUNCH HOLDER**

5,056,392 A 10/1991 Johnson et al.
5,316,323 A 5/1994 Jovanovic
5,752,424 A 5/1998 Rosene et al.

(71) Applicant: **WILSON TOOL INTERNATIONAL INC.**, White Bear Lake, MN (US)

(Continued)

(72) Inventors: **Kevin A. Johnston**, Deer Park, WI (US);
Joseph Daniel Broadbent, Stacy, MN (US);
Anthony D. Schwartz, Forest Lake, MN (US)

FOREIGN PATENT DOCUMENTS

DE 19505754 C1 5/1996
FR 2012207 A1 3/1970

(73) Assignee: **WILSON TOOL INTERNATIONAL INC.**, White Bear Lake, MN (US)

OTHER PUBLICATIONS

ISR and Written Opinion corresponding to PCT Application PCT/US2014/038704, mailed Feb. 20, 2015, 18 pages.

(**) Term: **15 Years**

Primary Examiner — Patricia Palasik

(21) Appl. No.: **29/540,783**

(74) *Attorney, Agent, or Firm* — Fredrikson & Byron, P.A.

(22) Filed: **Sep. 28, 2015**

(57) **CLAIM**

We claim the ornamental design for a punch holder, as shown and described.

Related U.S. Application Data

(62) Division of application No. 29/455,531, filed on May 21, 2013, now Pat. No. Des. 742,441.

DESCRIPTION

(51) **LOC (10) Cl.** **15-09**

(52) **U.S. Cl.**
USPC **D15/128**

(58) **Field of Classification Search**
USPC D15/128; D19/65, 72
See application file for complete search history.

FIG. 1 is a perspective of an embodiment of our new design for a punch holder;
FIG. 2 is front view thereof;
FIG. 3 is a left side view thereof;
FIG. 4 is right a view thereof;
FIG. 5 is a rear side view thereof;
FIG. 6 is a top view thereof;
FIG. 7 is a bottom view thereof;
FIG. 8 is a perspective of another embodiment of our new design for a punch holder;
FIG. 9 is front view thereof;
FIG. 10 is a left side view thereof;
FIG. 11 is a right side view thereof;
FIG. 12 is a rear side view thereof;
FIG. 13 is a top view thereof; and,
FIG. 14 is a bottom view thereof.

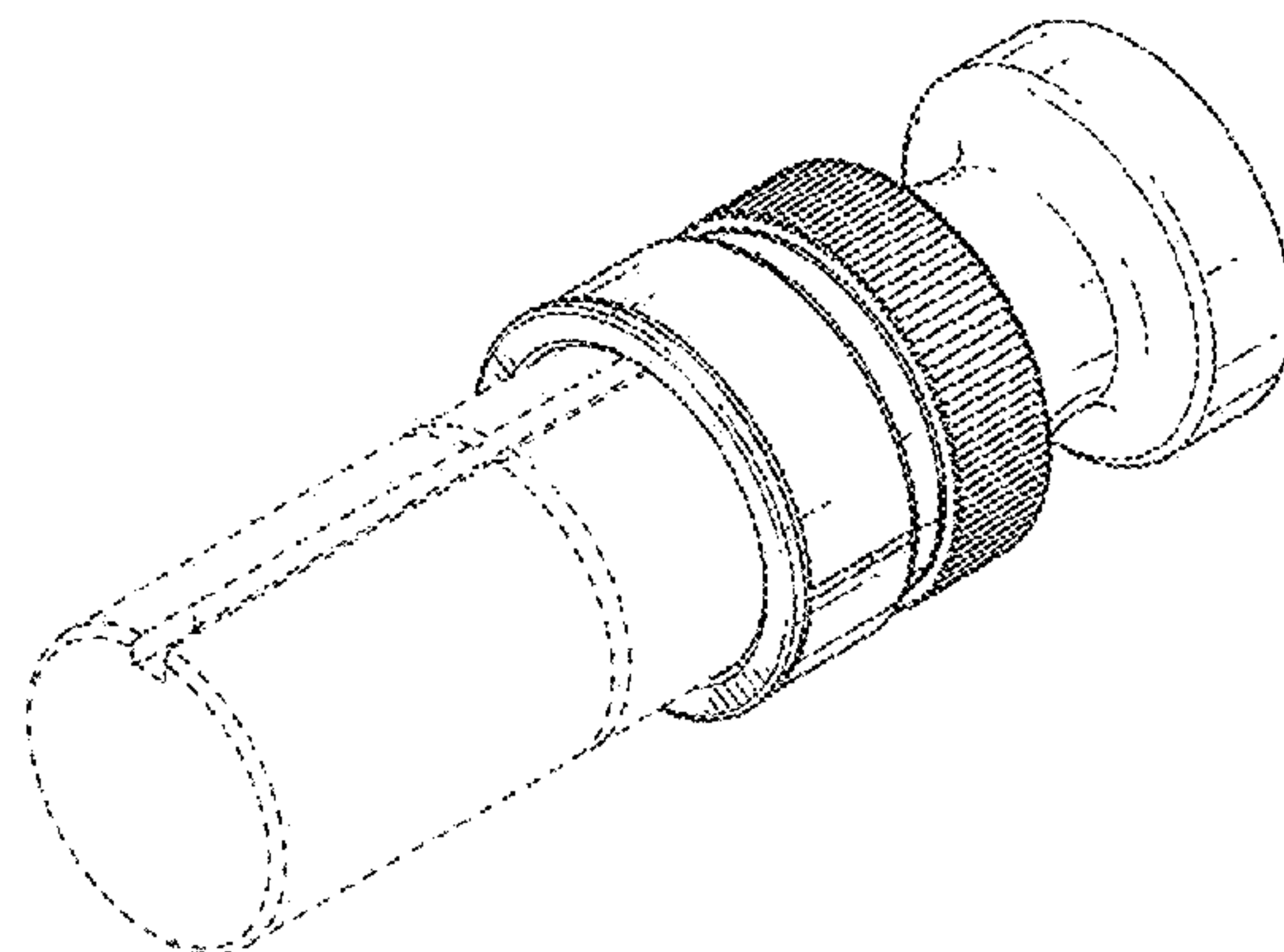
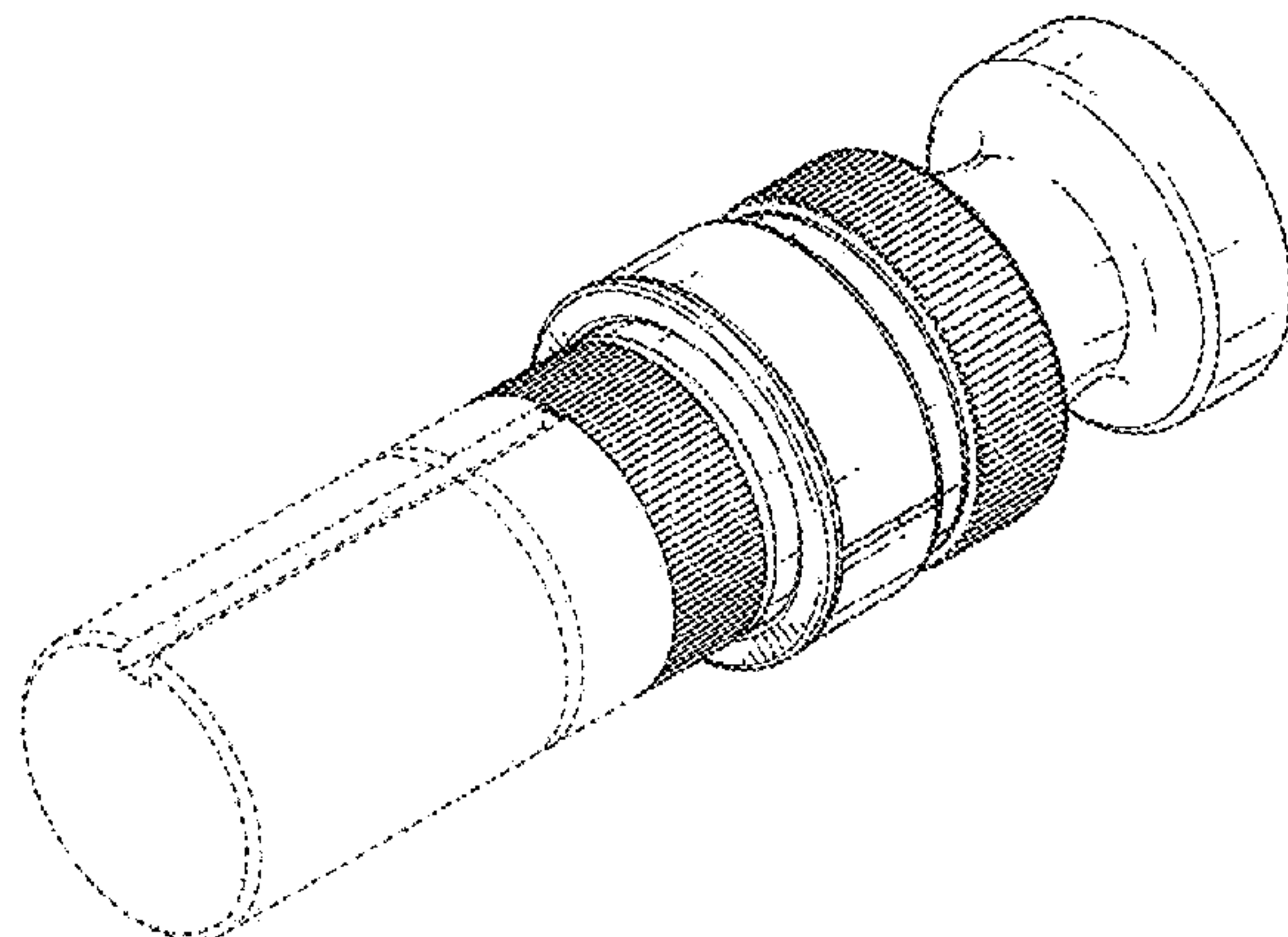
The broken lines showing the bottom portion of the punch holder form no part of the claimed design.

(56) **References Cited**

U.S. PATENT DOCUMENTS

2,708,970 A * 5/1955 Taylor B21D 28/34
83/140
3,719,117 A * 3/1973 Mauk B21D 28/34
279/126
4,273,015 A 6/1981 Johnson
4,824,298 A 4/1989 Lippacher et al.
4,989,484 A 2/1991 Johnson et al.
4,993,294 A * 2/1991 Chun B21D 45/006
83/139
5,017,157 A 5/1991 Liu et al.
5,020,407 A 6/1991 Brinlee
5,054,347 A 10/1991 Johnson et al.

1 Claim, 4 Drawing Sheets



(56)

References Cited

U.S. PATENT DOCUMENTS

5,839,341 A 11/1998 Johnson et al.
 5,884,546 A 3/1999 Johnson
 5,992,285 A * 11/1999 Talarico B21D 28/34
 83/684
 6,082,516 A 7/2000 Willer
 6,276,247 B1 8/2001 Helda
 D458,308 S 6/2002 Hsuan
 6,782,787 B2 8/2004 Morehead et al.
 6,895,797 B2 5/2005 Lowry et al.
 7,007,582 B2 3/2006 Iwamoto et al.
 D526,667 S 8/2006 Sakamoto et al.
 7,156,009 B2 1/2007 Iwamoto et al.
 D615,569 S 5/2010 Greenleaf
 7,726,554 B2 6/2010 Thielges et al.
 7,926,399 B2 4/2011 Huang et al.
 7,975,587 B2 7/2011 Schneider
 D665,832 S 8/2012 Nguyen
 D690,332 S 9/2013 Morehead et al.
 D690,333 S 9/2013 Morehead et al.
 D694,788 S 12/2013 Carper

D742,441 S * 11/2015 Johnston D15/128
 2002/0007714 A1 * 1/2002 Ohtsuka B21D 19/08
 83/698.31
 2002/0162440 A1 * 11/2002 Ostini B21D 28/12
 83/552
 2003/0015079 A1 * 1/2003 Talarico B21D 28/34
 83/698.91
 2003/0027699 A1 * 2/2003 Brodie B21D 37/04
 483/28
 2004/0163507 A1 * 8/2004 Voves B25G 1/08
 81/487
 2007/0180723 A1 8/2007 Morgan
 2007/0193323 A1 8/2007 Coelho et al.
 2008/0314220 A1 12/2008 Ferry et al.
 2009/0223032 A1 9/2009 Huang et al.
 2009/0266209 A1 10/2009 Thielges et al.
 2010/0132530 A1 6/2010 Chen
 2011/0203417 A1 8/2011 Hill, III
 2013/0118331 A1 5/2013 Morehead et al.
 2013/0288743 A1 10/2013 Hunt et al.
 2013/0319200 A1 12/2013 Johnston et al.
 2014/0345435 A1 * 11/2014 Johnston B21D 37/04
 83/698.91

* cited by examiner

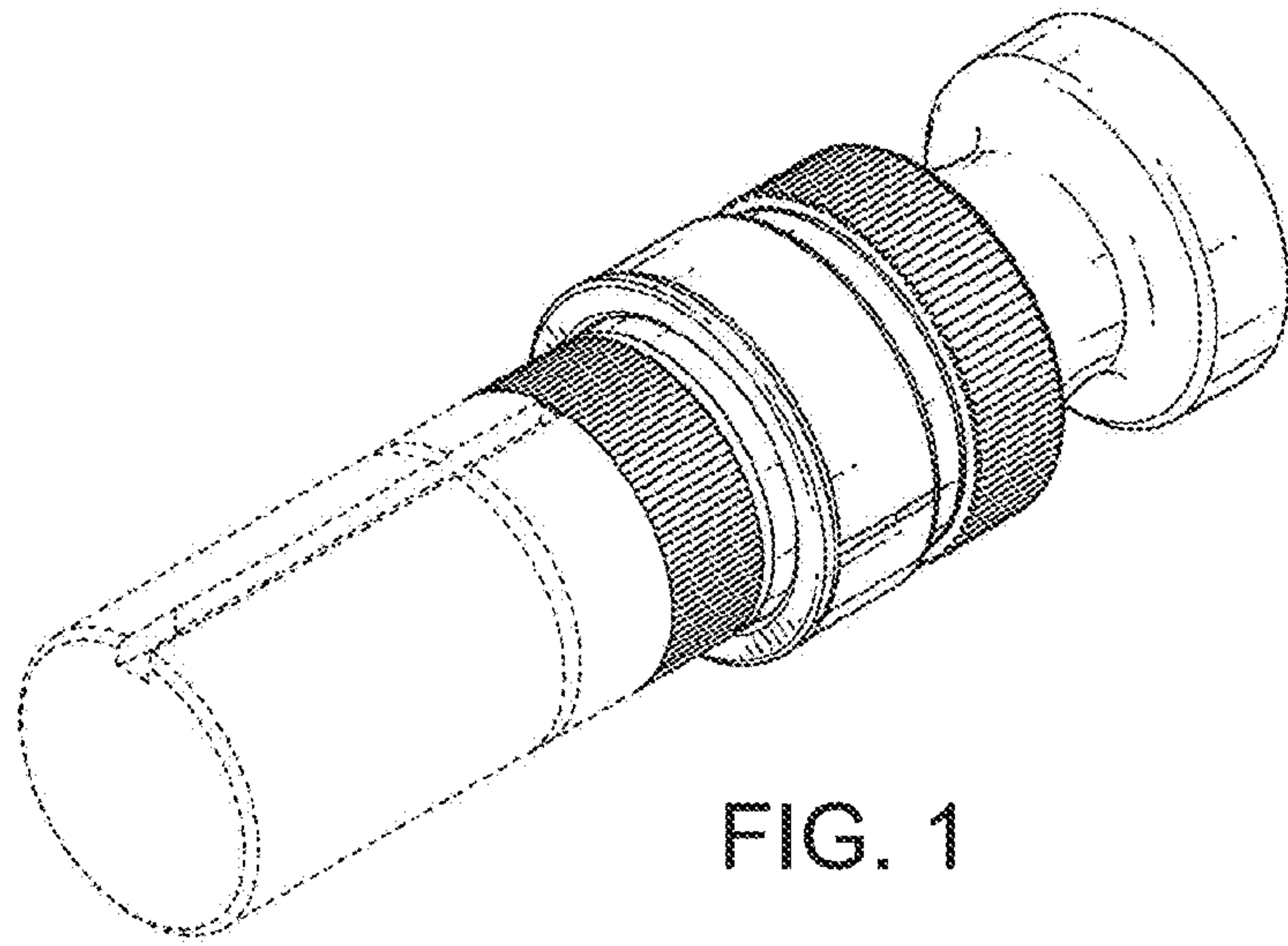


FIG. 1

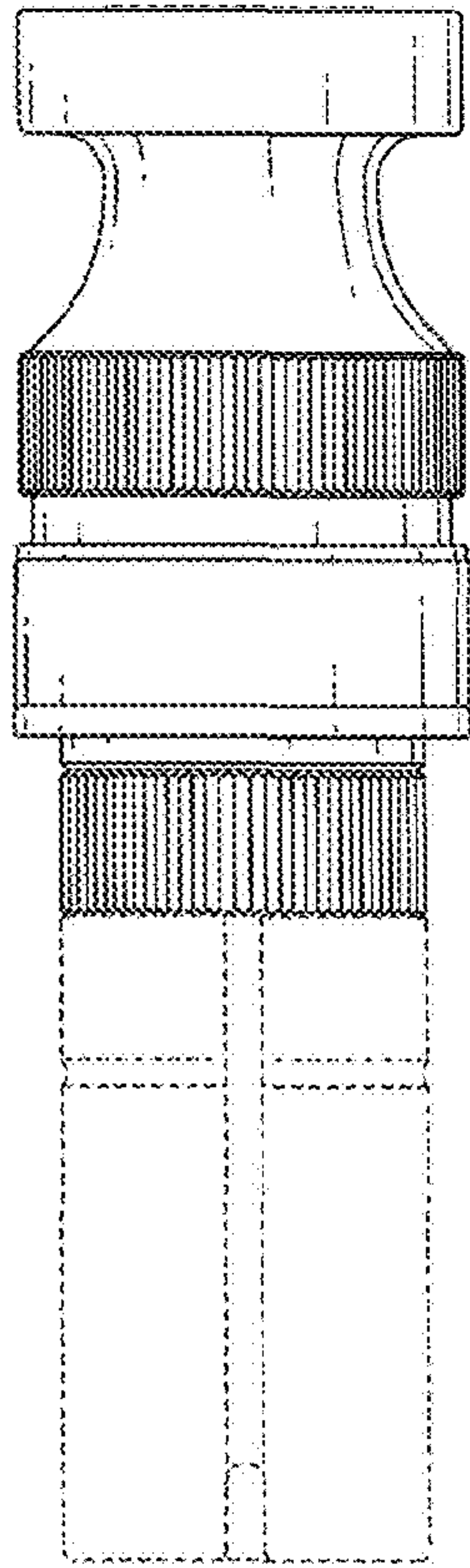


FIG. 2

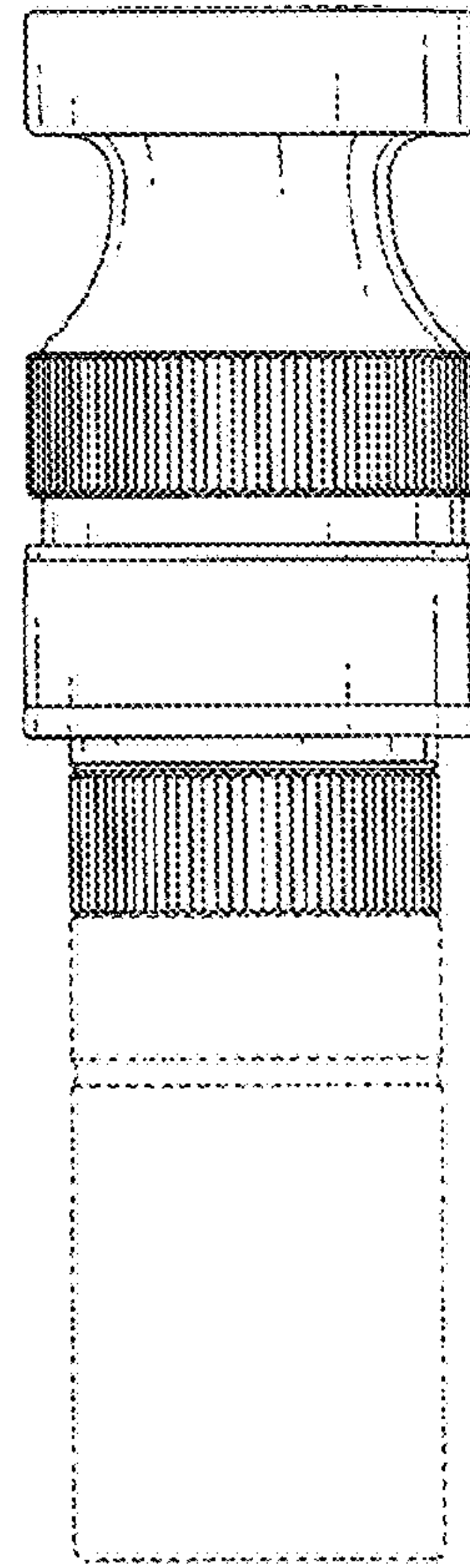


FIG. 3

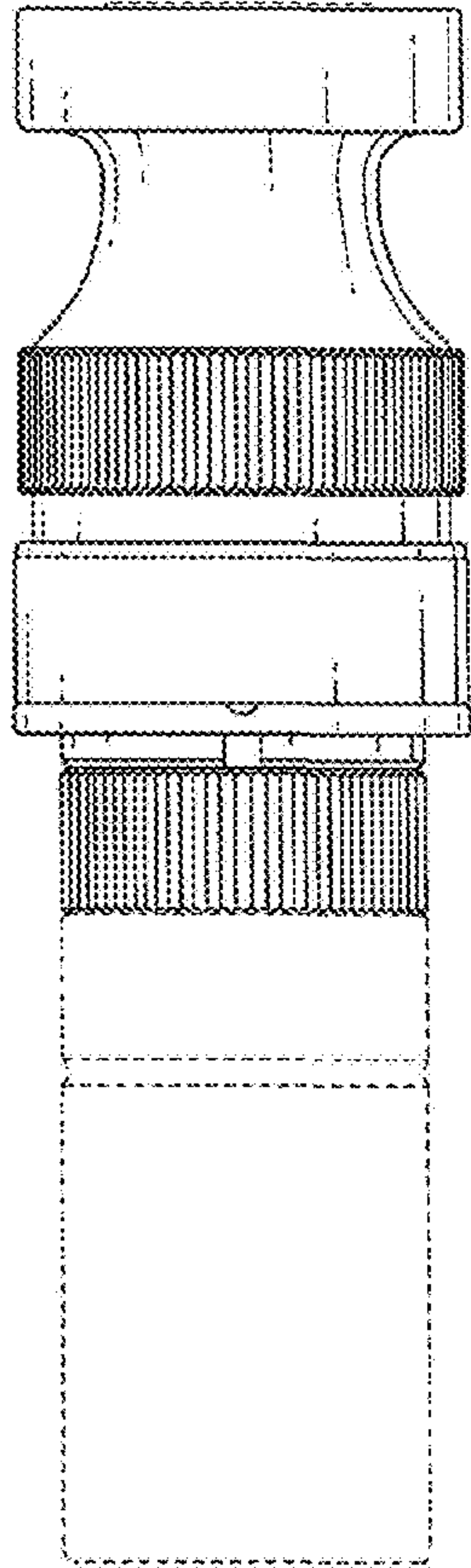


FIG. 4

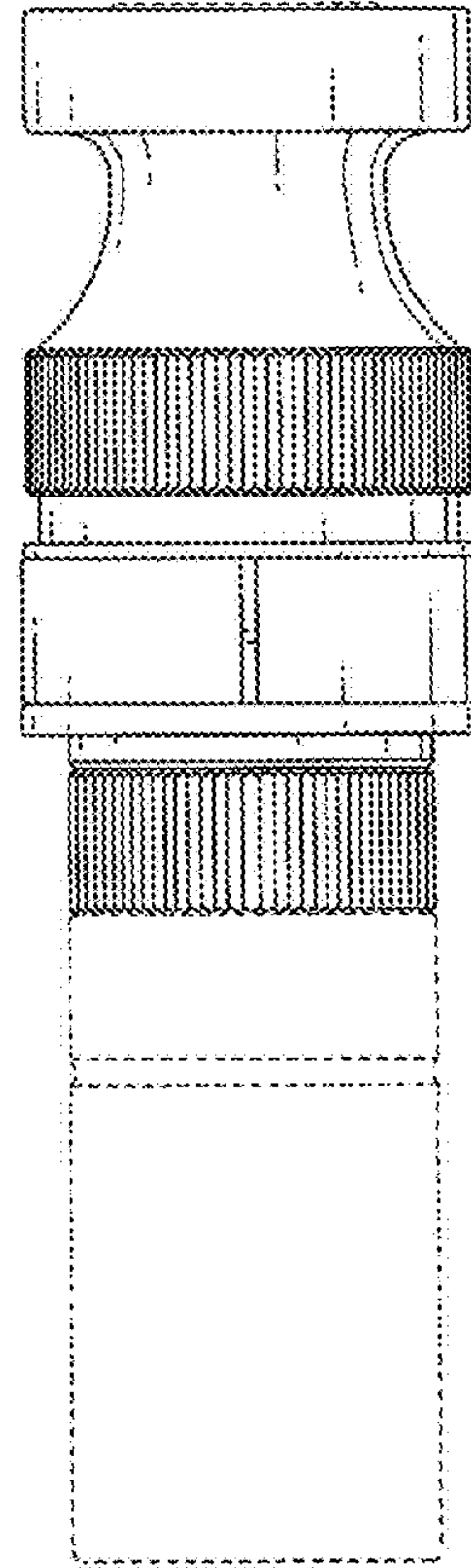


FIG. 5

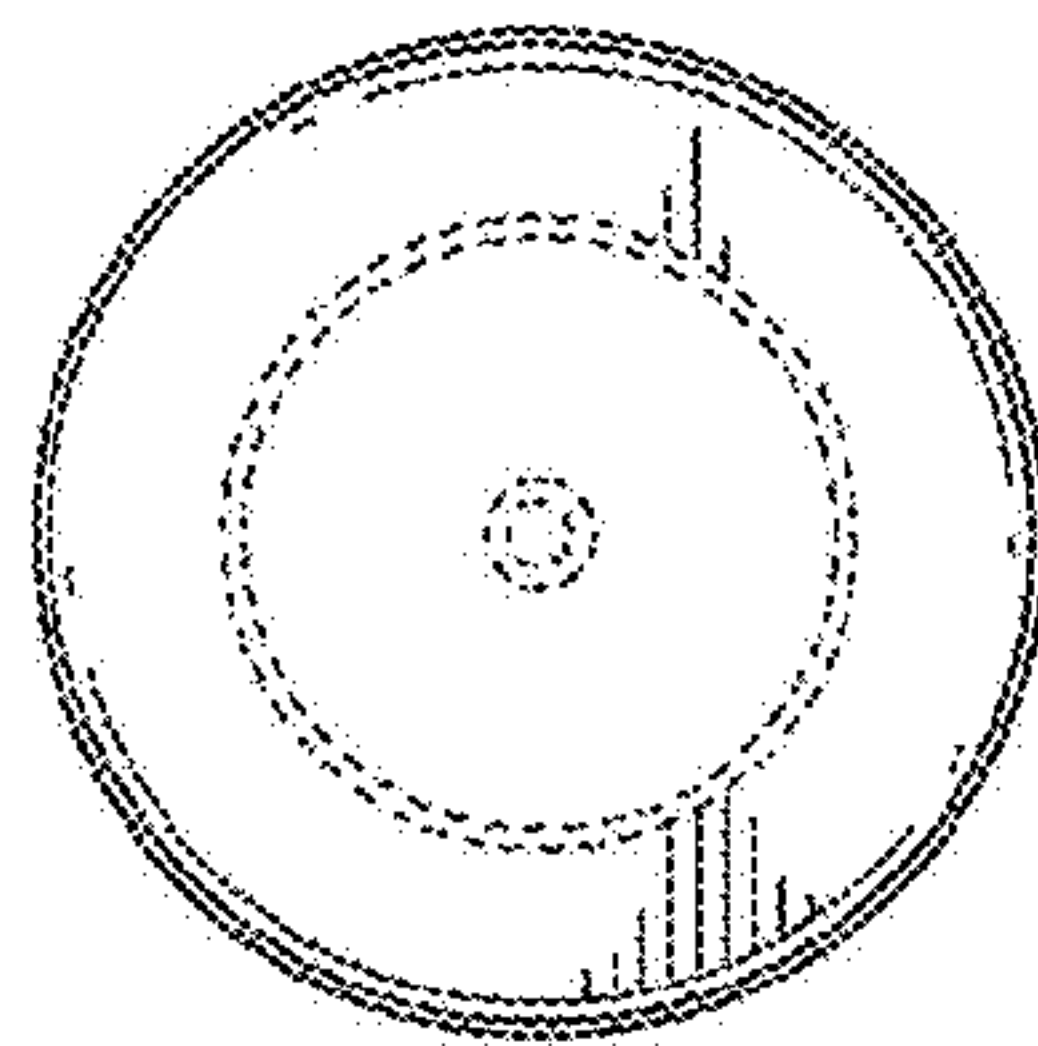


FIG. 6

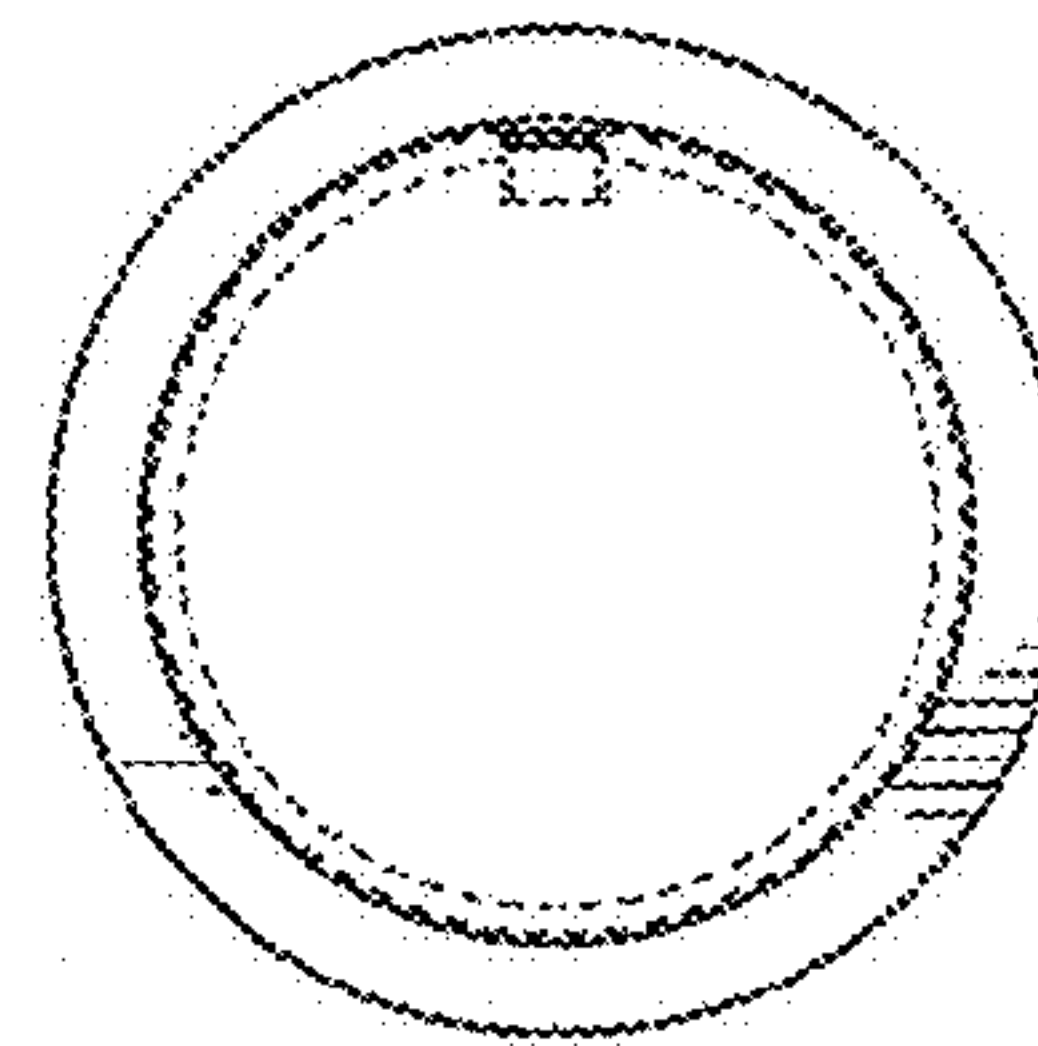


FIG. 7

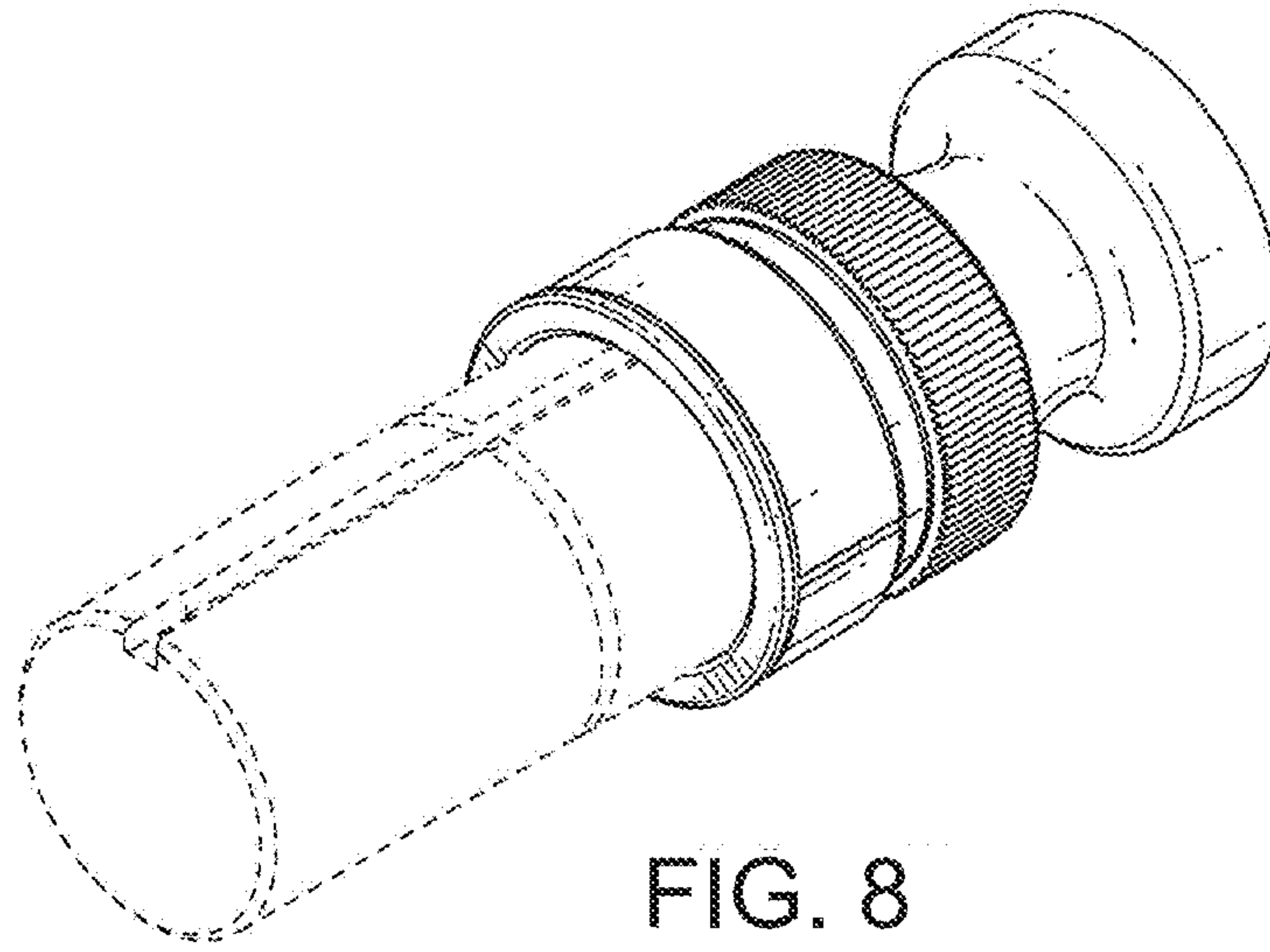


FIG. 8

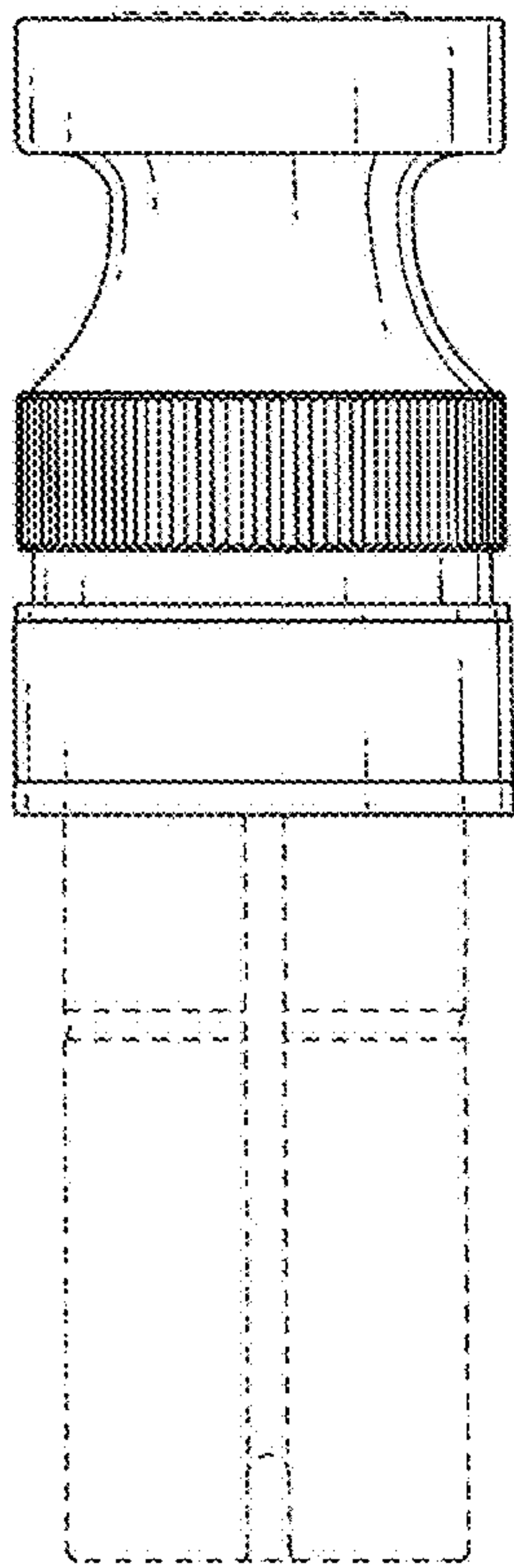


FIG. 9

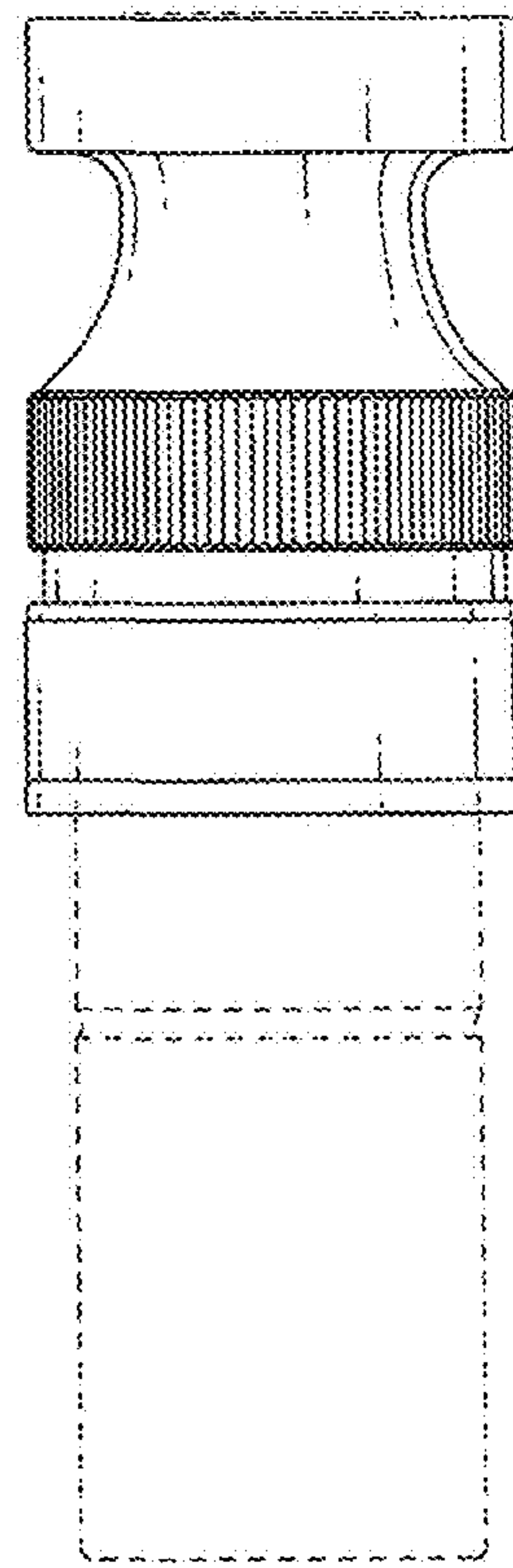


FIG. 10

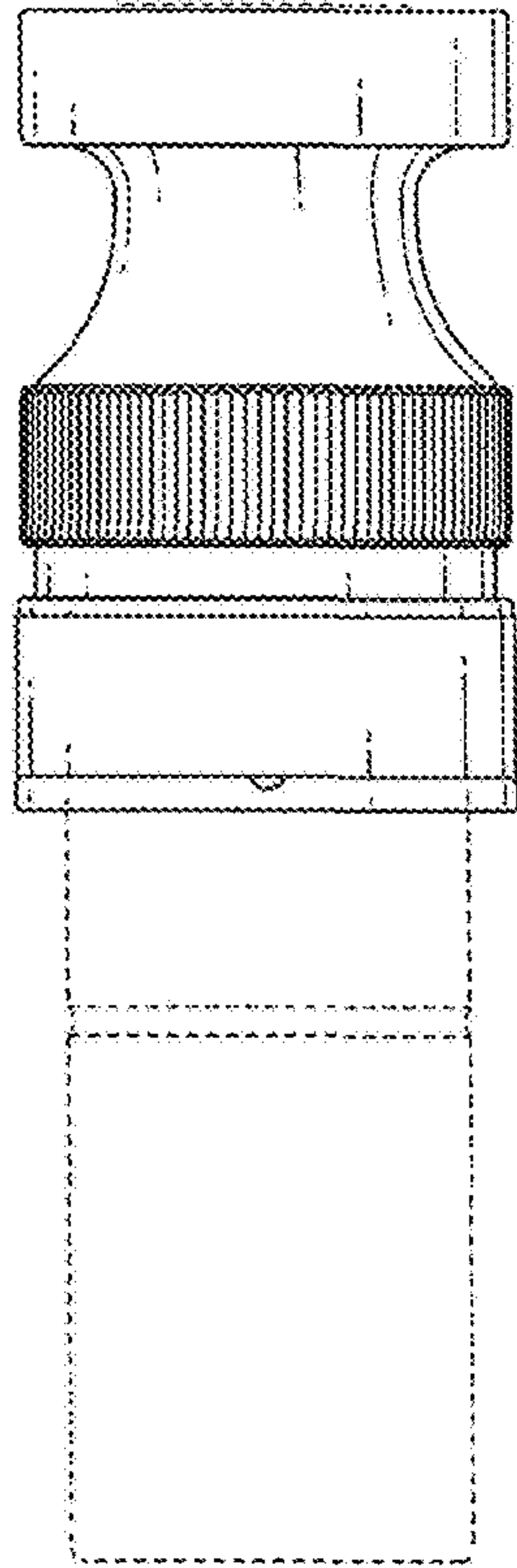


FIG. 11

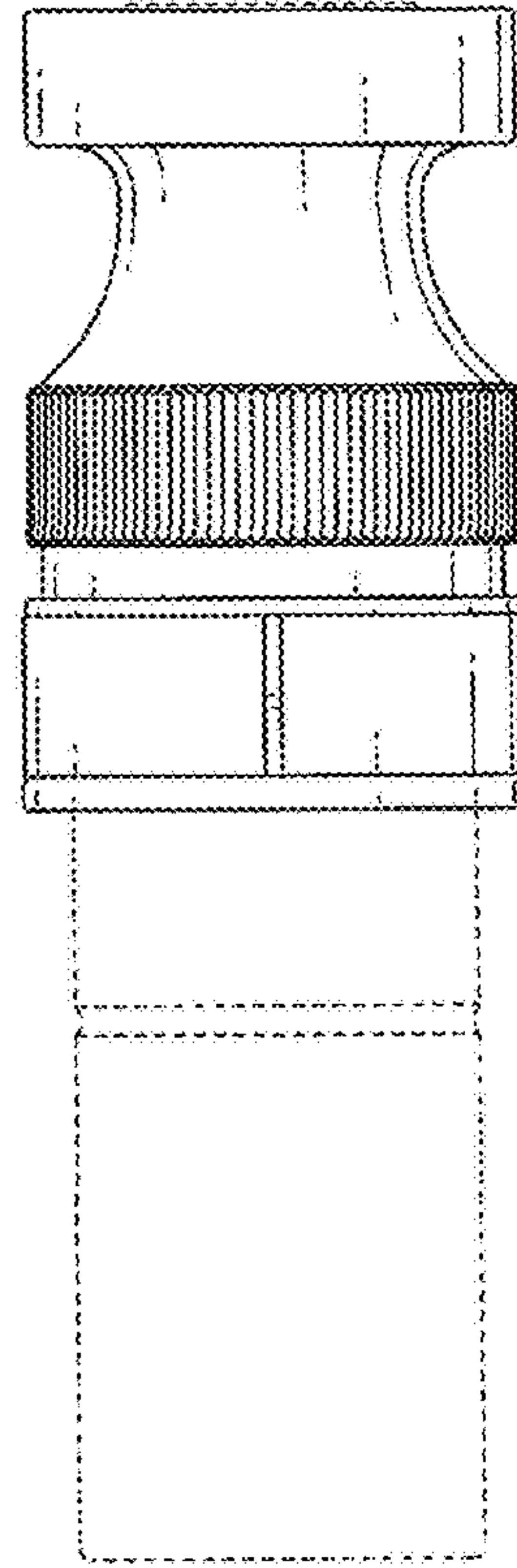


FIG. 12

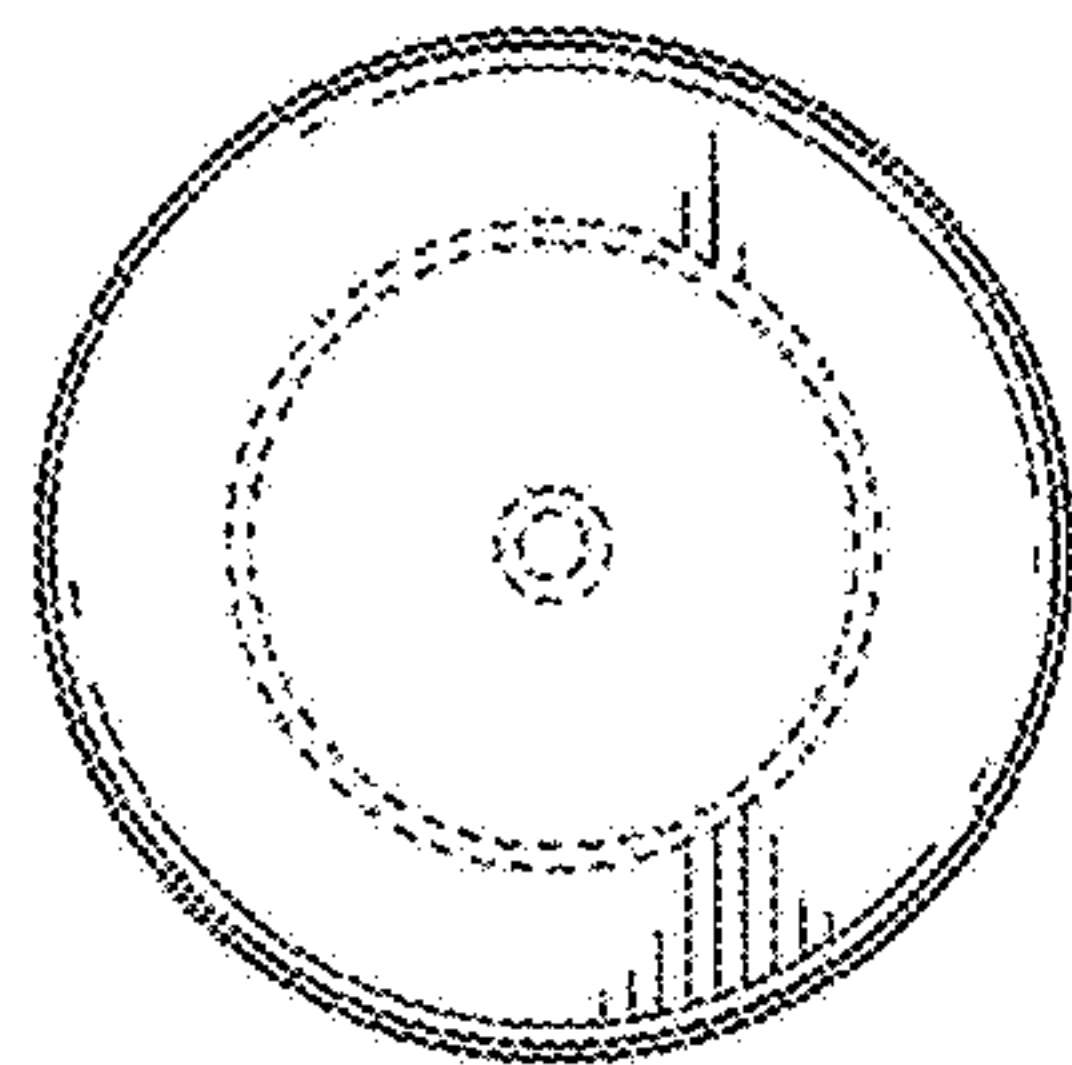


FIG. 13

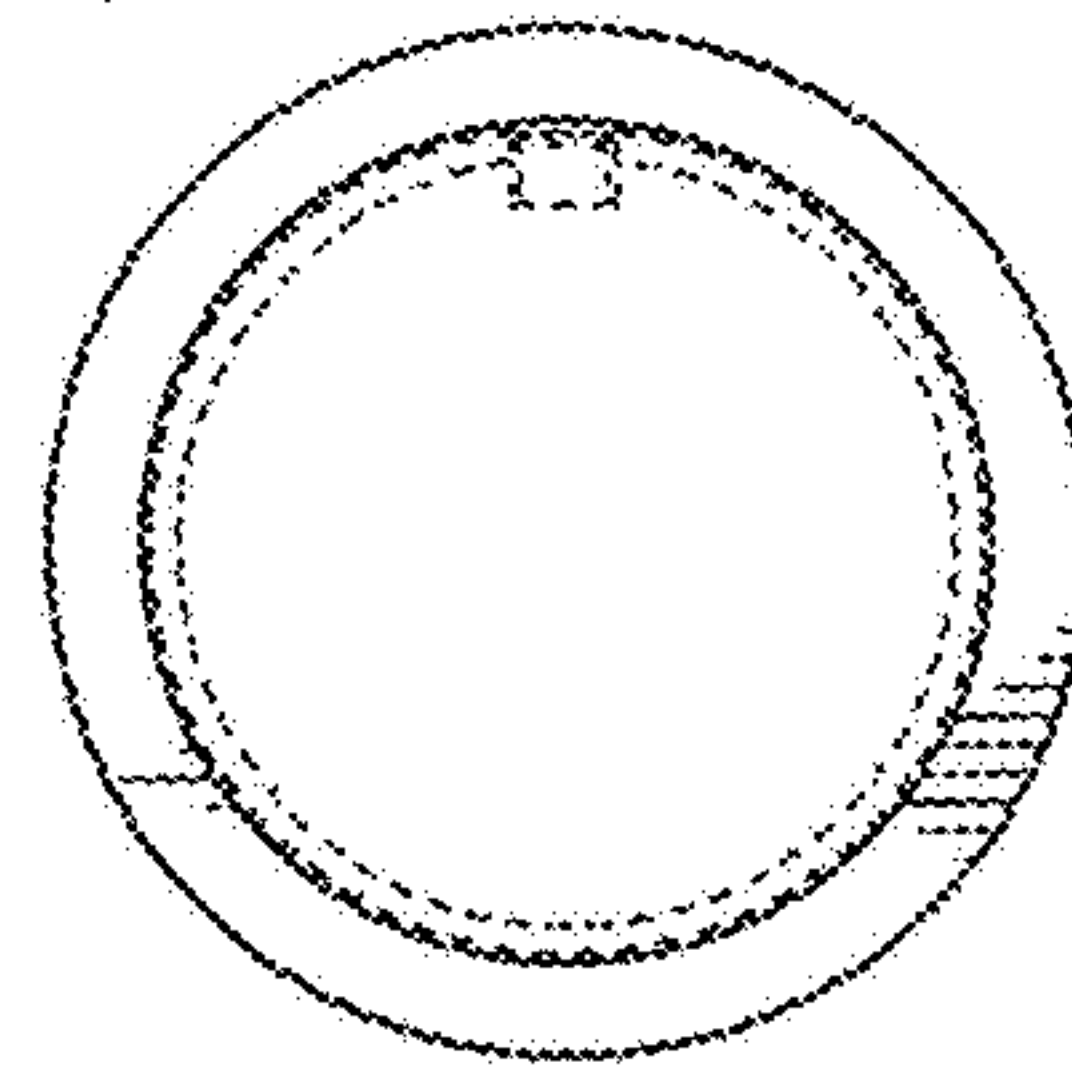


FIG. 14