



US00D763932S

(12) **United States Design Patent**  
**Popov**

(10) **Patent No.:** **US D763,932 S**

(45) **Date of Patent:** **\*\* Aug. 16, 2016**

(54) **GRINDING TOOL**

(71) Applicant: **Georgi M Popov**, Braselton, GA (US)

(72) Inventor: **Georgi M Popov**, Braselton, GA (US)

(\*\*) Term: **14 Years**

(21) Appl. No.: **29/510,880**

(22) Filed: **Dec. 4, 2014**

(51) **LOC (10) Cl.** ..... **15-09**

(52) **U.S. Cl.**  
USPC ..... **D15/126**

(58) **Field of Classification Search**  
USPC ..... D8/70, 71, 90, 98; D15/125, 126, 138,  
D15/139; D21/485, 488, 499, 500, 503,  
D21/504; D25/103, 113-118  
See application file for complete search history.

(56) **References Cited**

**U.S. PATENT DOCUMENTS**

5,453,041	A *	9/1995	Oliver	.....	B24D 5/06 451/541
5,575,707	A *	11/1996	Talieh	.....	B24B 21/00 451/168
5,782,682	A *	7/1998	Han	.....	B24B 7/22 451/527
6,106,382	A *	8/2000	Sakaguchi	.....	B24D 3/06 451/443
6,196,911	B1 *	3/2001	Preston	.....	B24D 7/06 451/527
D506,481	S *	6/2005	Olsen	.....	D15/126
D507,801	S *	7/2005	Olsen	.....	D15/126
D508,927	S *	8/2005	Olsen	.....	D15/126
6,933,018	B2 *	8/2005	Masuko	.....	B24B 13/01 427/282
D513,514	S *	1/2006	Olsen	.....	D15/139
D514,142	S *	1/2006	Olsen	.....	D15/139

D514,143	S *	1/2006	Olsen	.....	D15/139
D514,605	S *	2/2006	Olsen	.....	D15/139
D521,031	S *	5/2006	Thysell	.....	D15/126
D522,543	S *	6/2006	Thysell	.....	D15/126
D552,135	S *	10/2007	Olsen	.....	D15/139
D682,893	S *	5/2013	Bergstrand	.....	D15/126
8,992,645	B2 *	3/2015	Upadhyay	.....	B24D 3/06 51/293
9,102,038	B2 *	8/2015	Kinoshita	.....	B24D 3/06

\* cited by examiner

*Primary Examiner* — Patricia Palasik

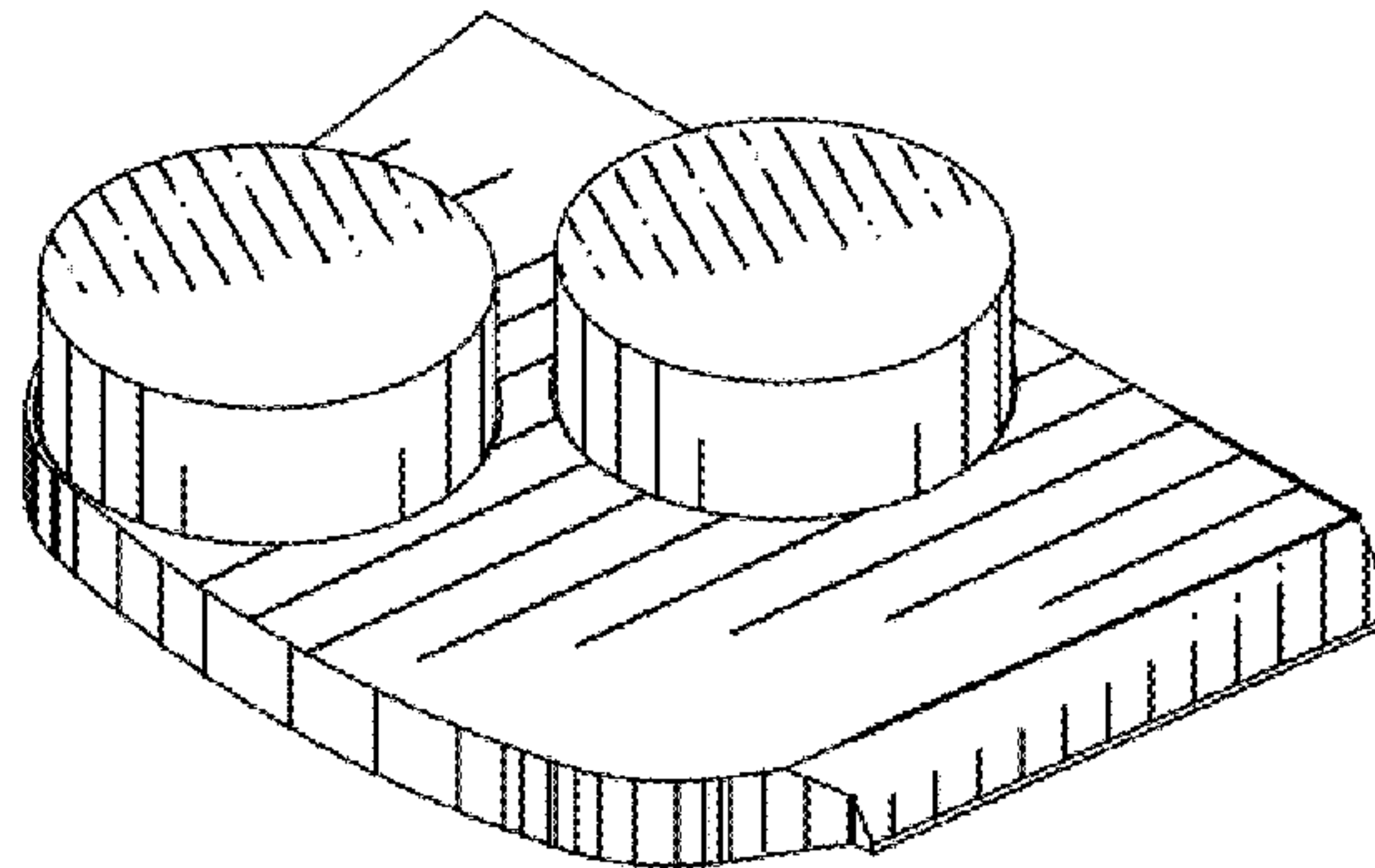
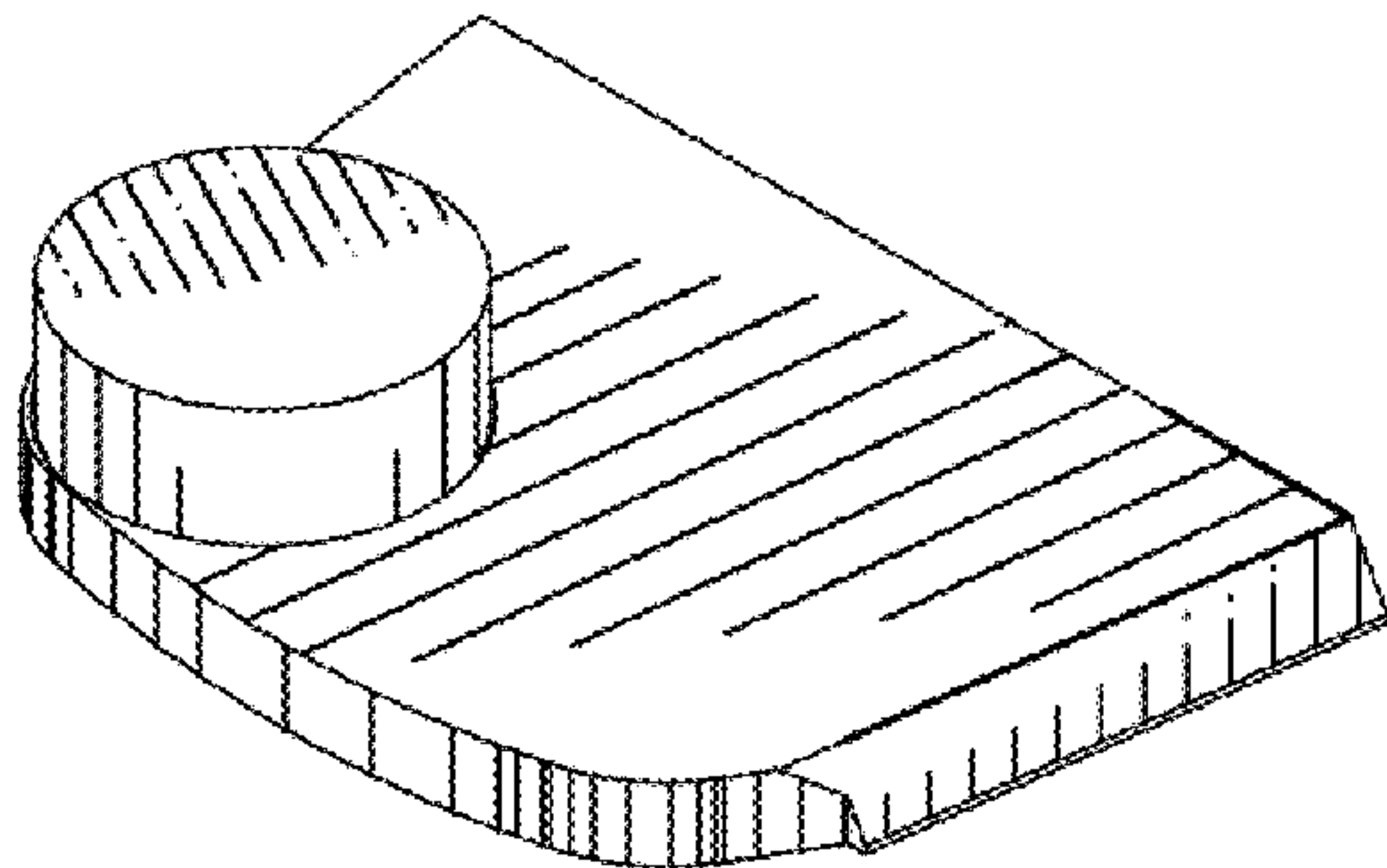
(57) **CLAIM**

The ornamental design for a grinding tool, as shown and described.

**DESCRIPTION**

FIG. 1 is a front perspective view of a grinding tool according to a first embodiment;  
 FIG. 2 is a bottom plan view thereof;  
 FIG. 3 is a front elevation view thereof;  
 FIG. 4 is a top plan view thereof;  
 FIG. 5 is a left side elevation view thereof;  
 FIG. 6 is a right side elevation view thereof;  
 FIG. 7 is a back side elevation view thereof;  
 FIG. 8 is a bottom perspective view thereof;  
 FIG. 9 is a front perspective view of a grinding tool according to a second embodiment;  
 FIG. 10 is a bottom plan view thereof;  
 FIG. 11 is a front elevation view thereof;  
 FIG. 12 is a top plan view thereof;  
 FIG. 13 is a left side elevation view thereof;  
 FIG. 14 is a right side elevation view thereof;  
 FIG. 15 is a back side elevation view thereof; and,  
 FIG. 16 is a bottom perspective view thereof.

**1 Claim, 2 Drawing Sheets**



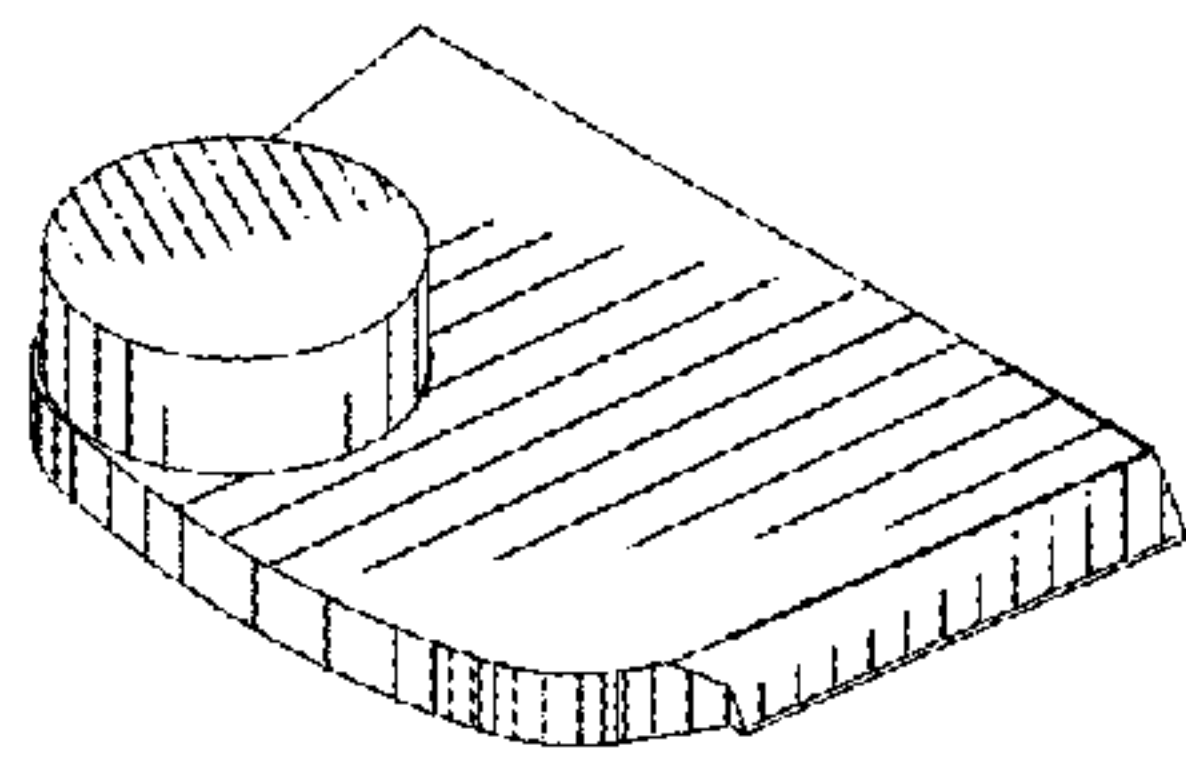


FIG. 1

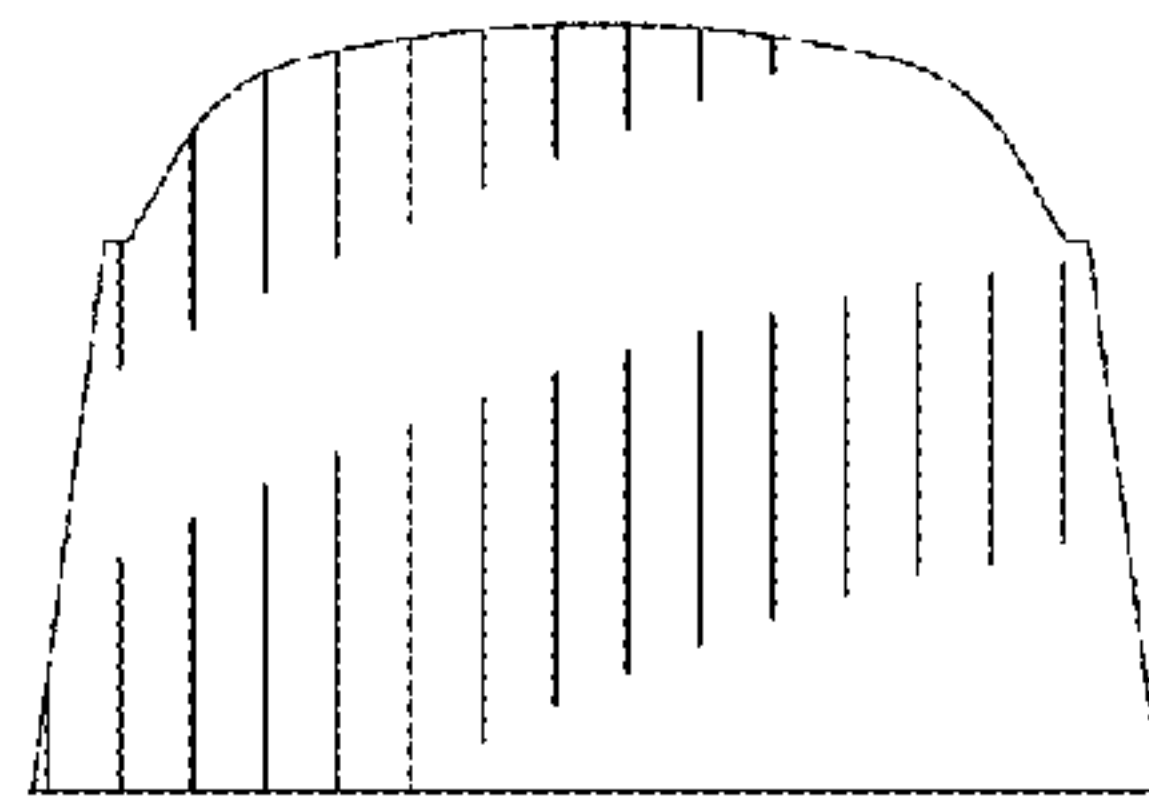


FIG. 2

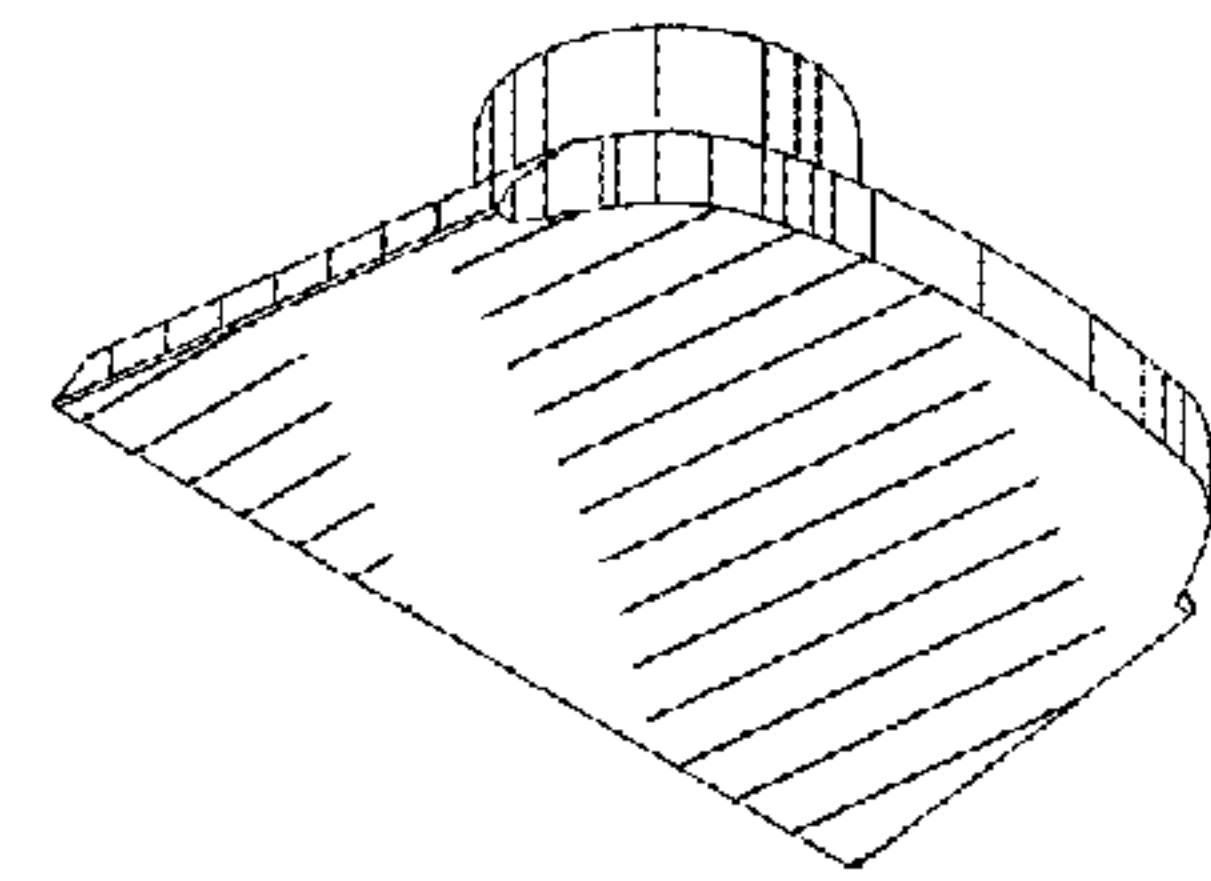


FIG. 8

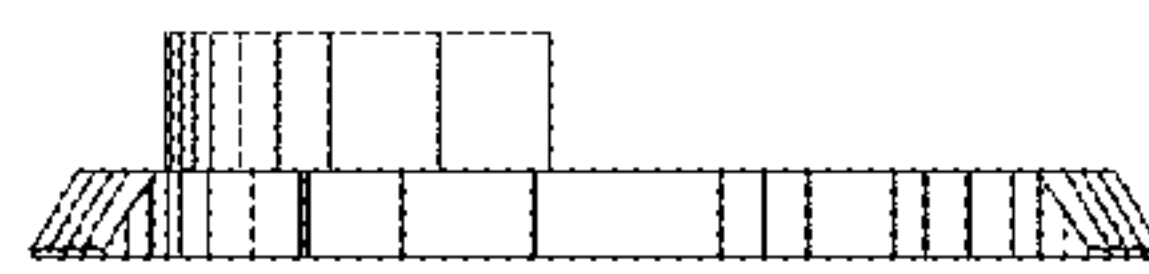


FIG. 3

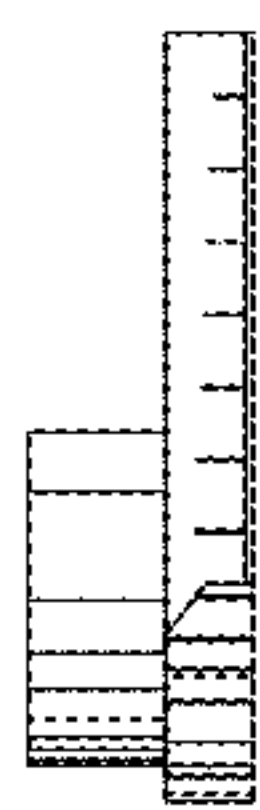


FIG. 5

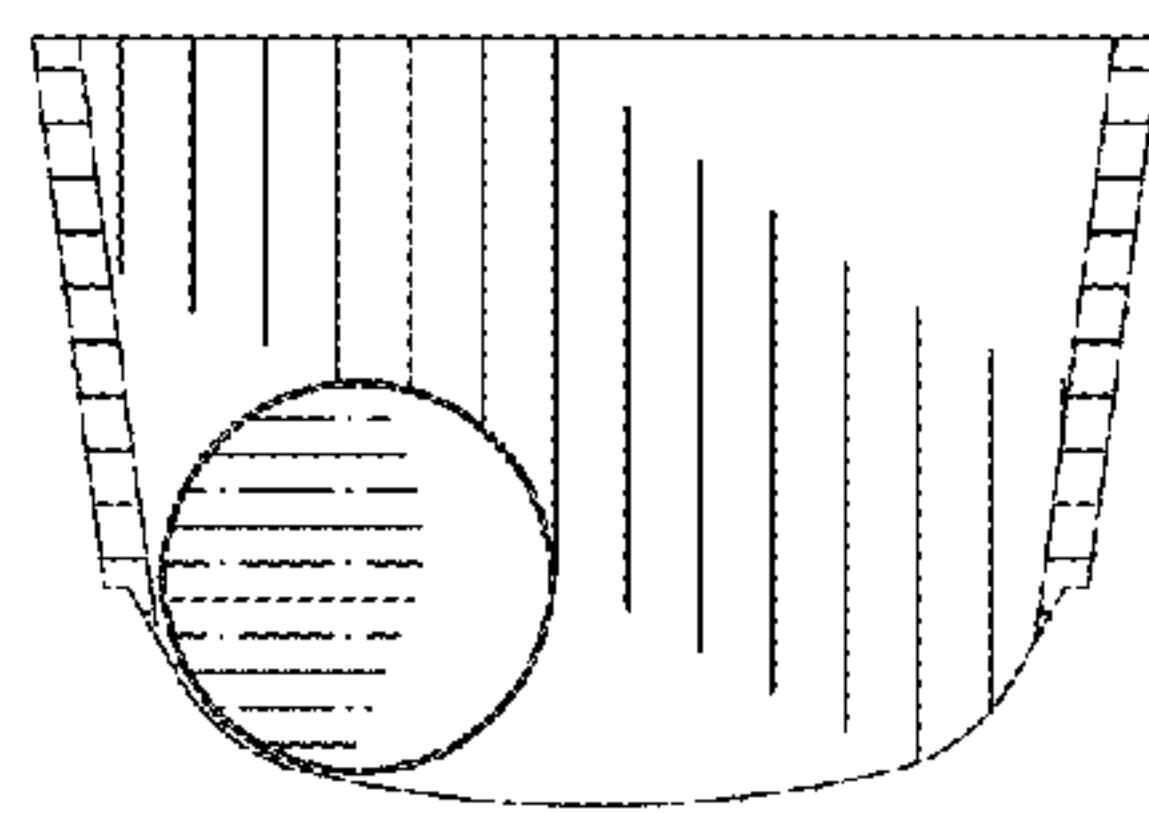


FIG. 4

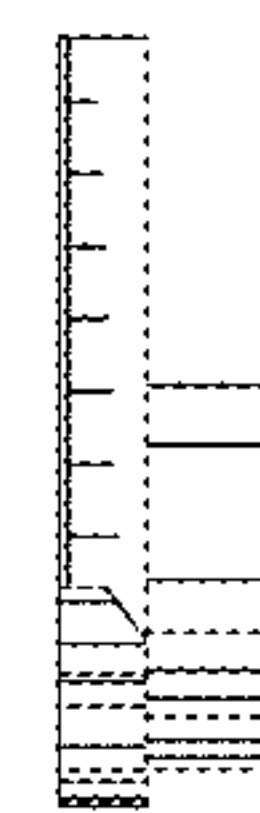


FIG. 6

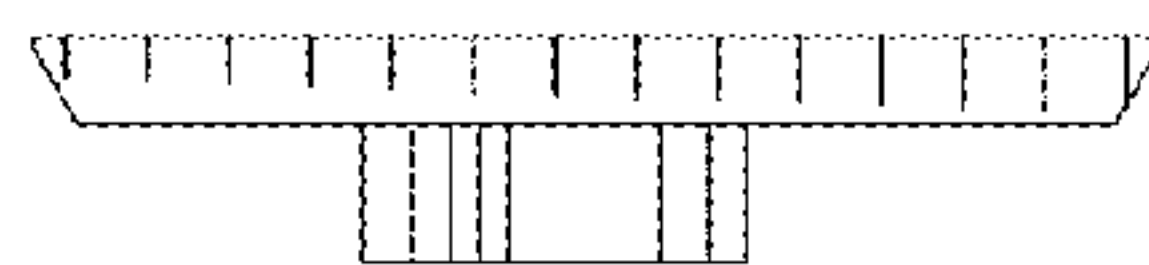


FIG. 7

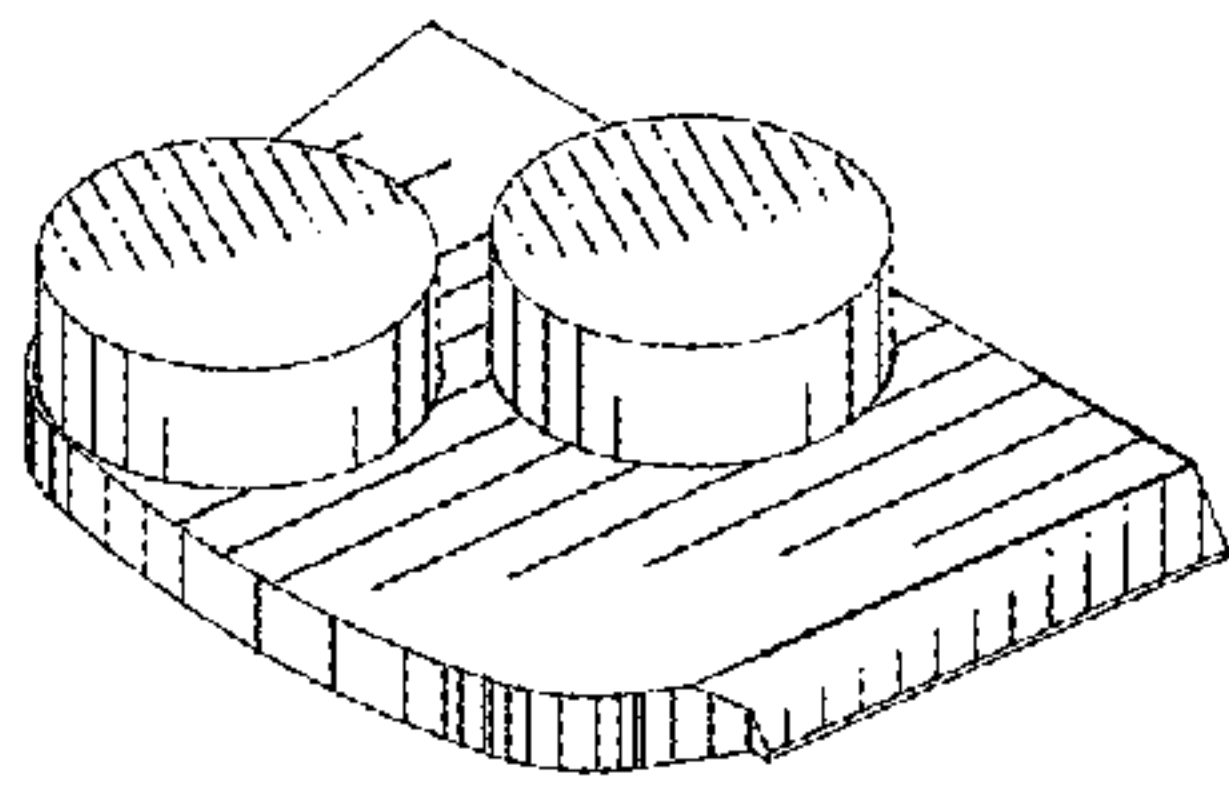


FIG. 9

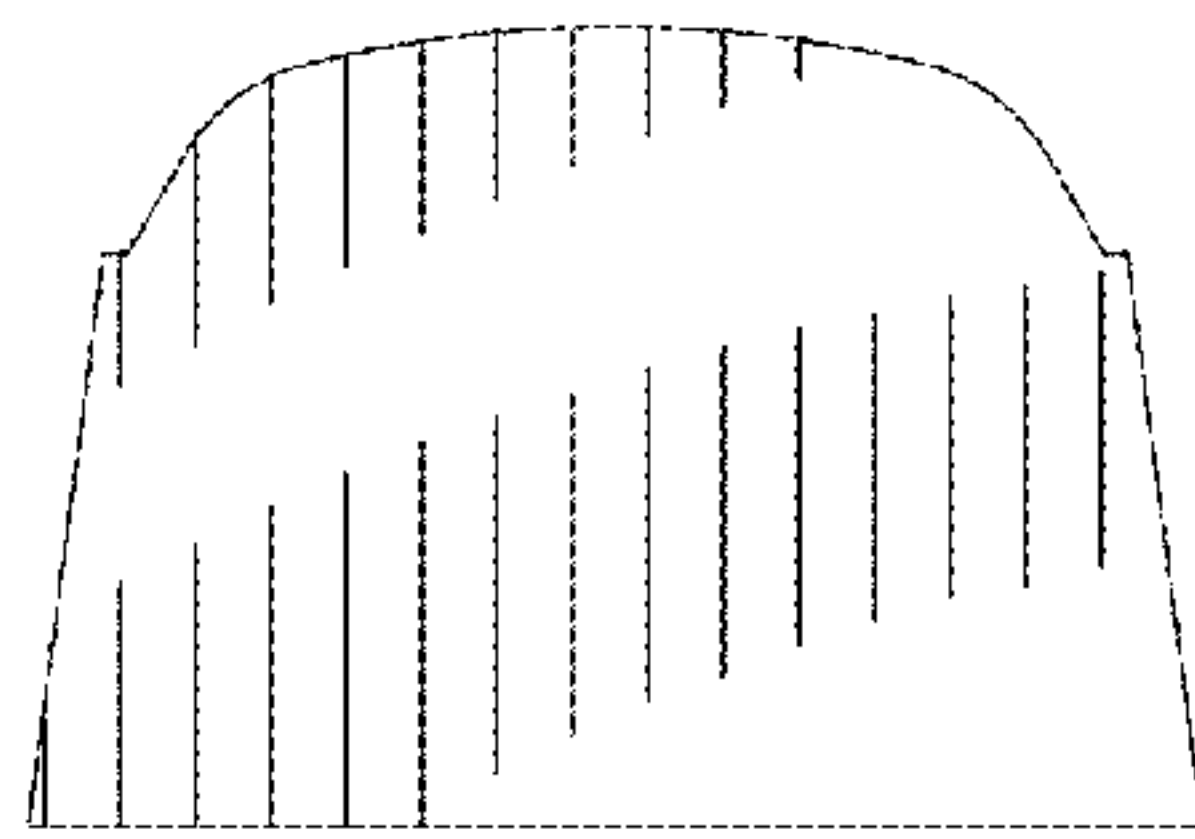


FIG. 10

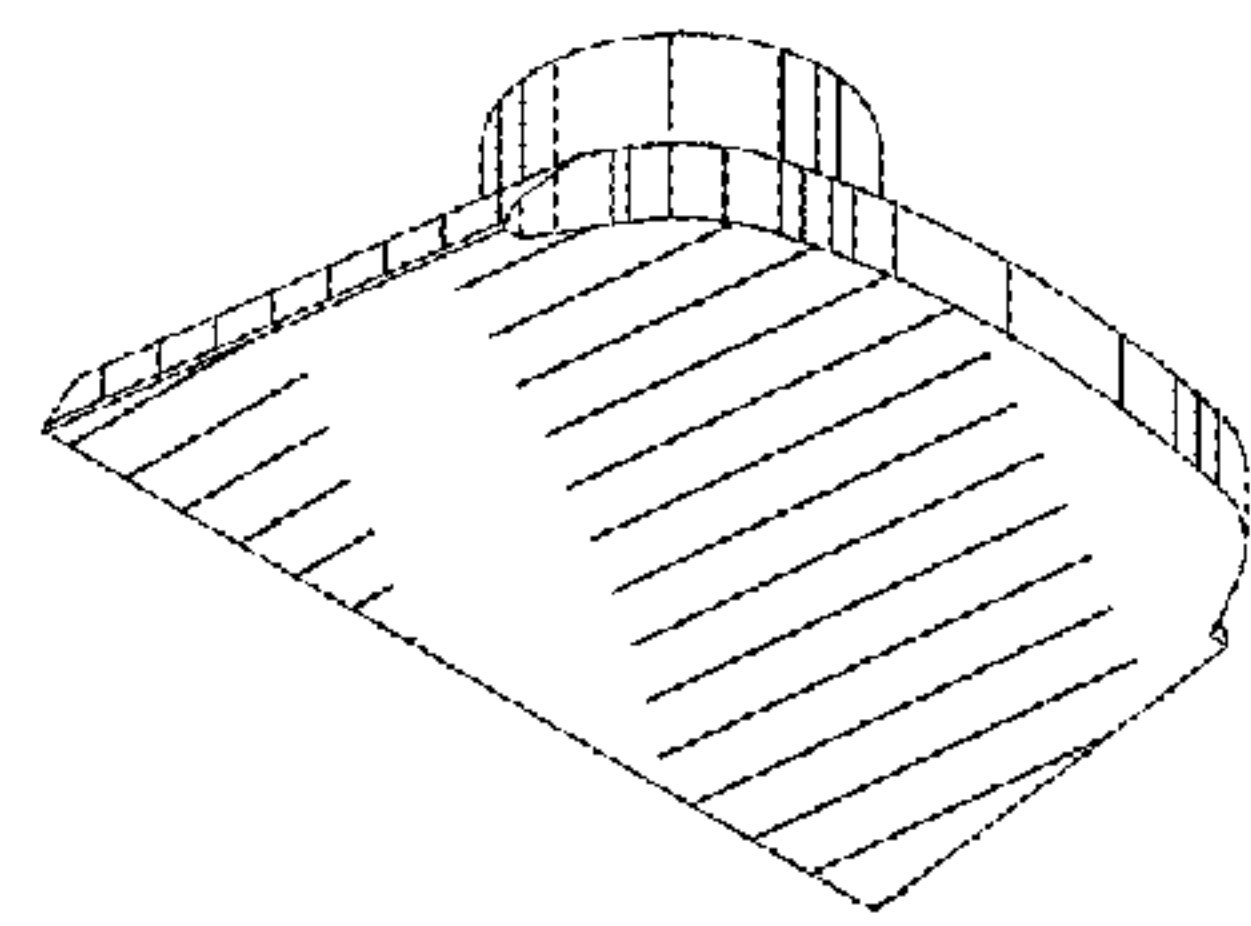


FIG. 16

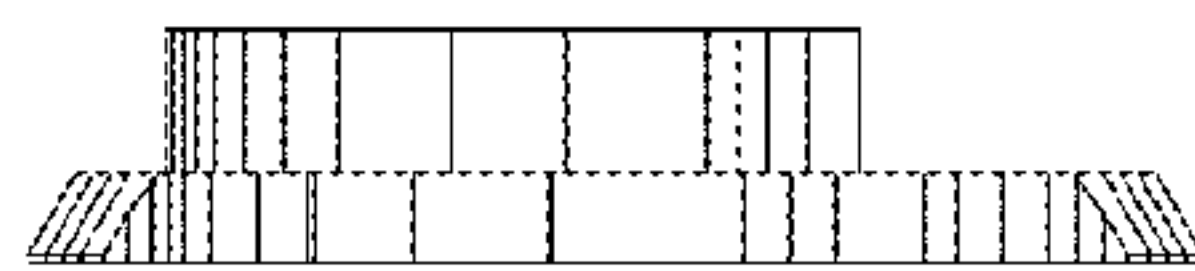


FIG. 11

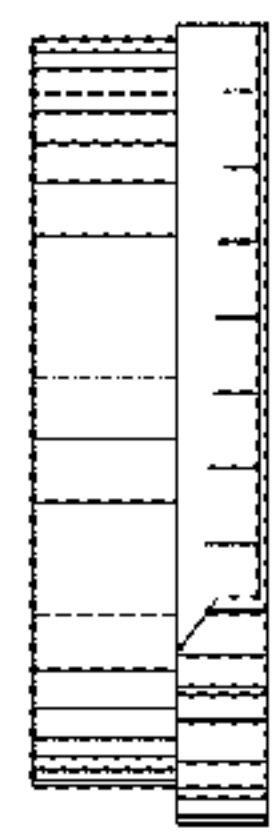


FIG. 13

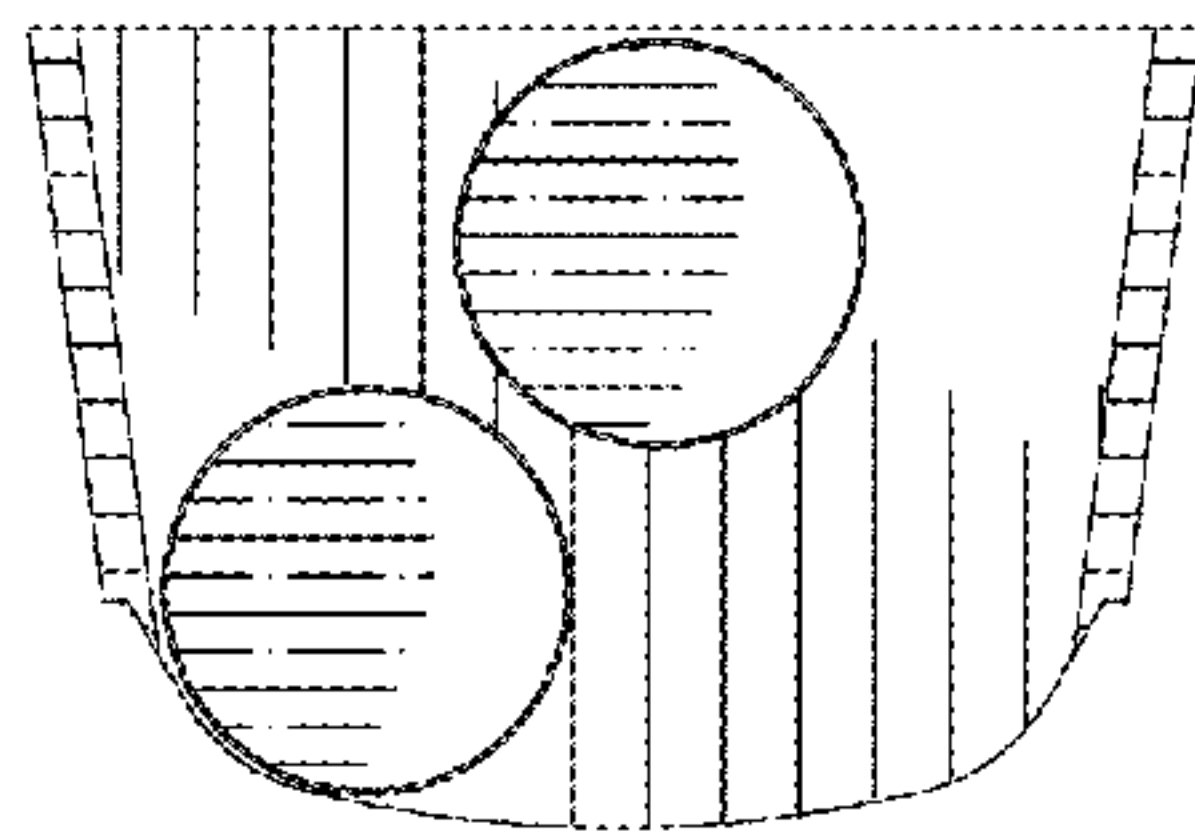


FIG. 12



FIG. 14

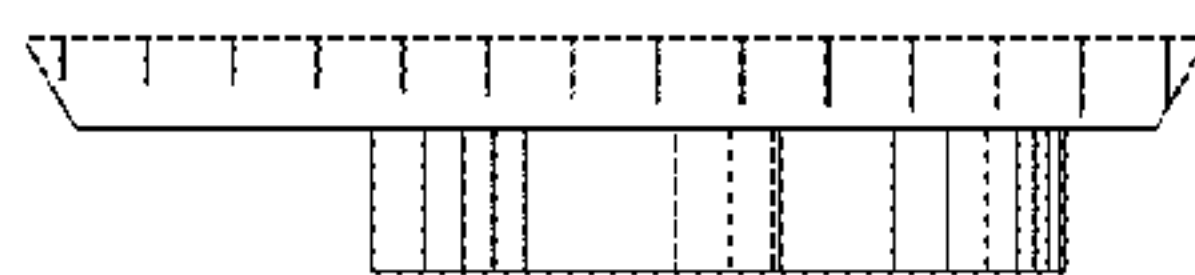


FIG. 15