

US00D763930S

(12) **United States Design Patent**  
**Baber**

(10) **Patent No.:** **US D763,930 S**

(45) **Date of Patent:** **\*\* Aug. 16, 2016**

- (54) **ENCLOSED HOPPER**
- (71) Applicant: **Roger Baber**, Galveston, IN (US)
- (72) Inventor: **Roger Baber**, Galveston, IN (US)
- (73) Assignee: **ROGER BABER PORTABLE WELDING, LLC**, Galveston, IN (US)
- (\*\*) Term: **14 Years**
- (21) Appl. No.: **29/525,592**
- (22) Filed: **Apr. 30, 2015**
- (51) **LOC (10) Cl.** ..... **15-03**
- (52) **U.S. Cl.**  
USPC ..... **D15/28**
- (58) **Field of Classification Search**  
USPC ..... D15/10, 19, 28; 34/526, 167  
CPC ..... B28C 7/0046; B28C 7/00; B28C 7/067;  
B65D 90/12; B65D 90/14; B65D 88/52;  
B65D 88/30; B65D 88/128; D06F 1/00;  
D06F 1/06; F26B 25/002; F26B 25/00;  
F26B 9/063  
See application file for complete search history.

D260,651 S *	9/1981	Gibbons	.....	D15/138
4,727,977 A	3/1988	Arnson		
D303,265 S *	9/1989	Miyoshi	.....	D15/122
4,956,821 A *	9/1990	Fenelon	.....	B28C 7/067 366/16
D335,293 S *	5/1993	Pingry	.....	D15/28
5,339,996 A *	8/1994	Dubbert	.....	B28C 7/0046 182/186.6
5,788,055 A	8/1998	Stewart et al.		
D512,538 S *	12/2005	Bird	.....	119/52.1
7,028,731 B1	4/2006	Jones		
7,475,796 B2 *	1/2009	Garton	.....	B65D 88/128 211/153
D588,166 S *	3/2009	Lyons, III	.....	D15/19
8,201,520 B2 *	6/2012	Meritt	.....	A01K 1/10 119/53
D671,563 S *	11/2012	Moretto	.....	D15/28
D671,564 S *	11/2012	Moretto	.....	D15/28
8,414,061 B1	4/2013	Greminger		
D718,791 S *	12/2014	Moretto	.....	D15/10

\* cited by examiner

*Primary Examiner* — Mark Goodwin  
(74) *Attorney, Agent, or Firm* — Lachenmaier Law Firm

(57) **CLAIM**  
The ornamental design for an enclosed hopper, as shown and described in the attached drawings.

**DESCRIPTION**

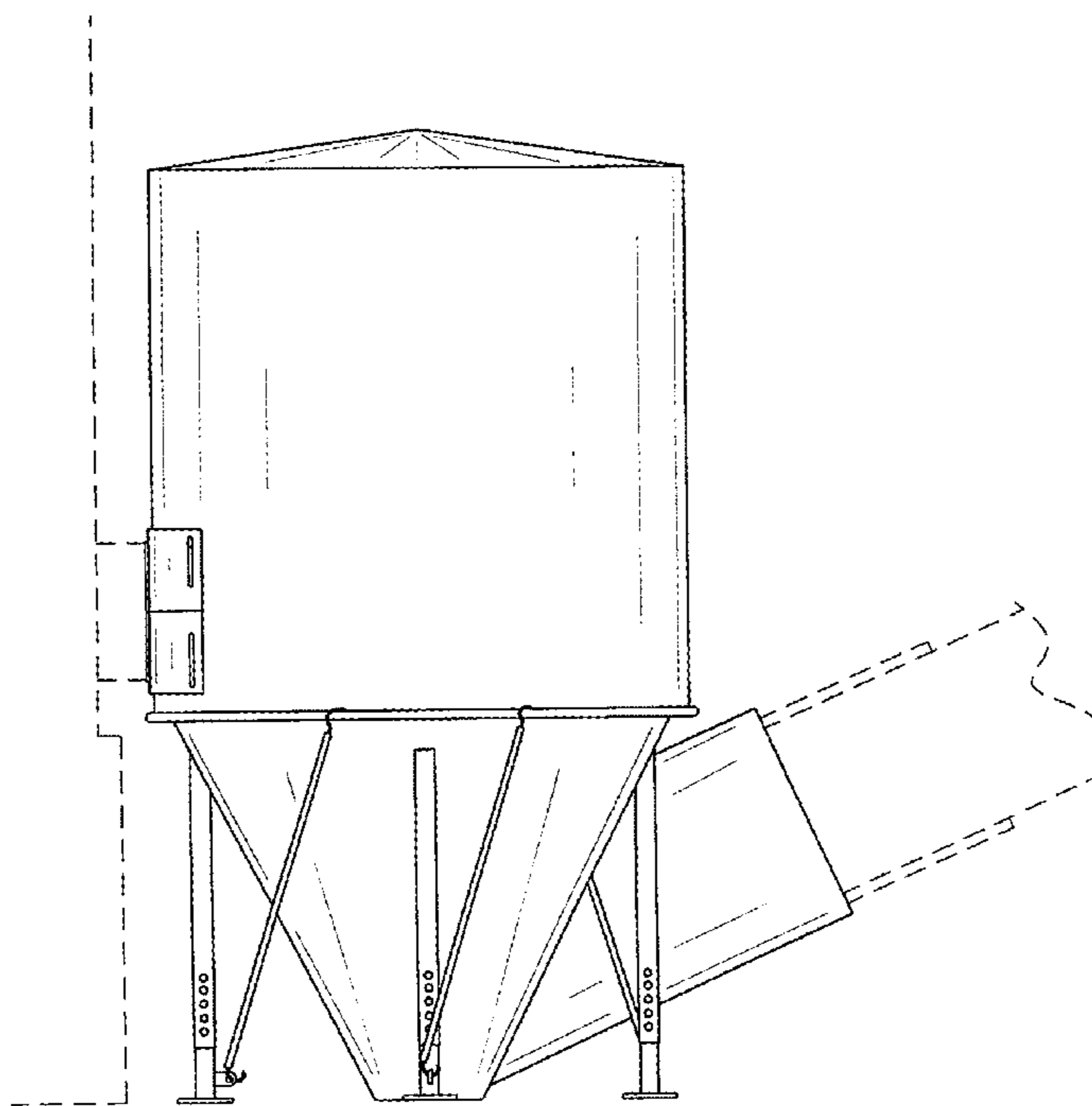
FIG. 1 is a front view of enclosed hopper showing my new design.  
FIG. 2 is a left side view thereof; and,  
FIG. 3 is a top view thereof.  
Grain elevator and Grain Bin are shown in broken lines as they form no part of enclosed hopper design.

**1 Claim, 3 Drawing Sheets**

(56) **References Cited**

**U.S. PATENT DOCUMENTS**

1,342,807 A *	6/1920	Harrington	.....	D06F 1/06 220/4.12
D187,717 S *	4/1960	Kayser	.....	D15/19
3,380,174 A *	4/1968	McClaren	.....	F26B 9/063 34/169
3,849,901 A *	11/1974	Sietmann	.....	F26B 25/002 34/167



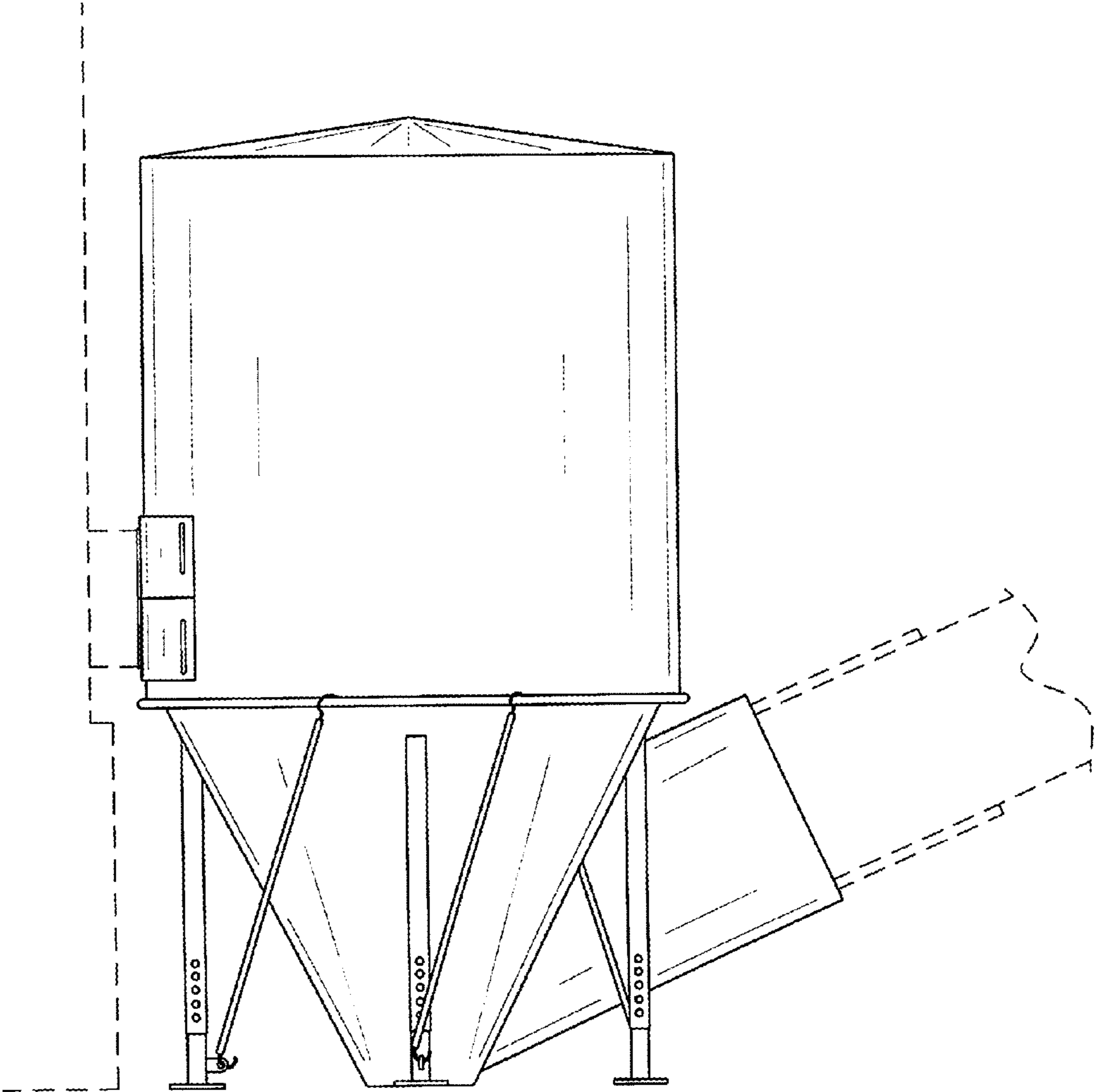


FIG. 1

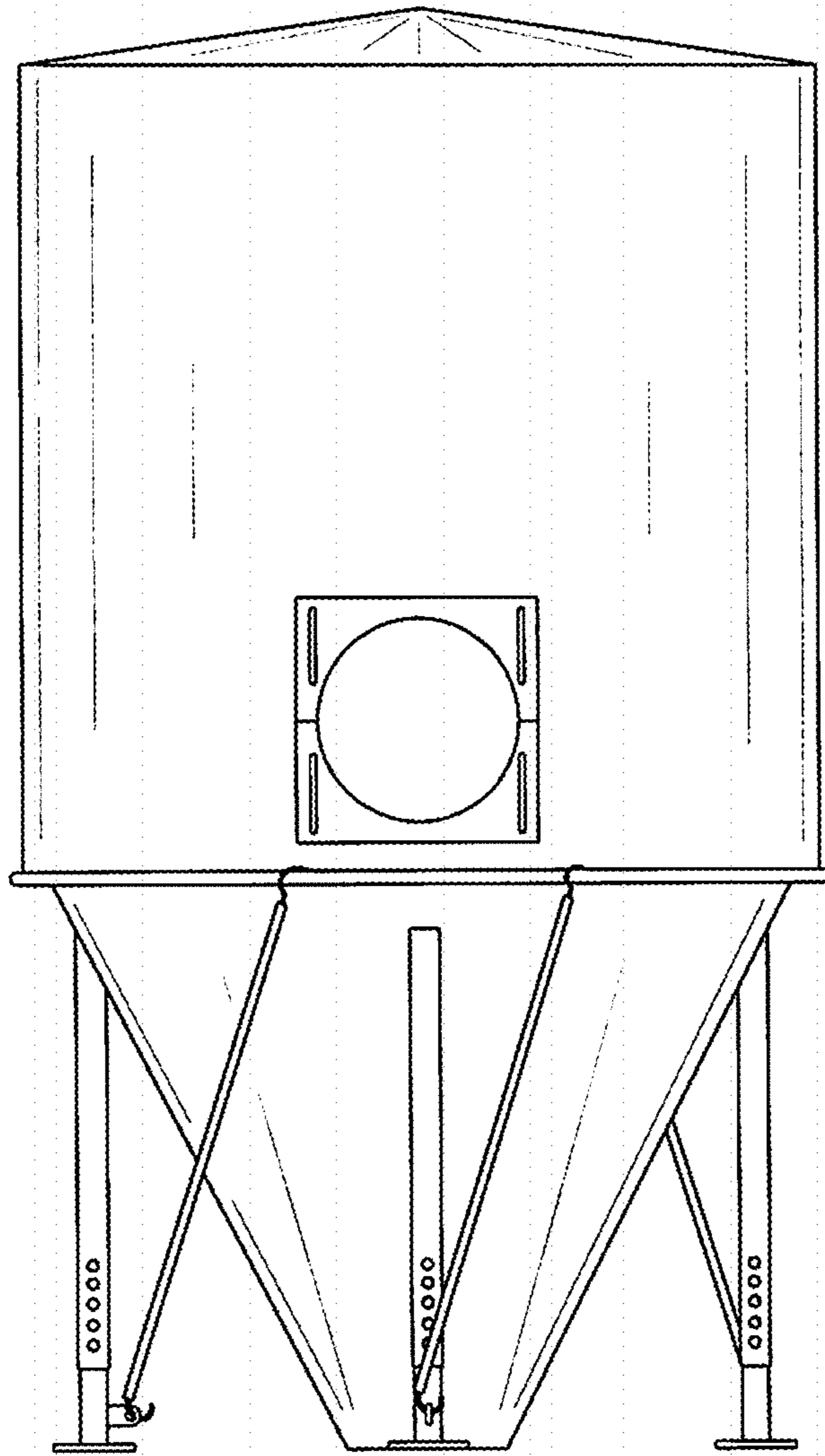


FIG. 2

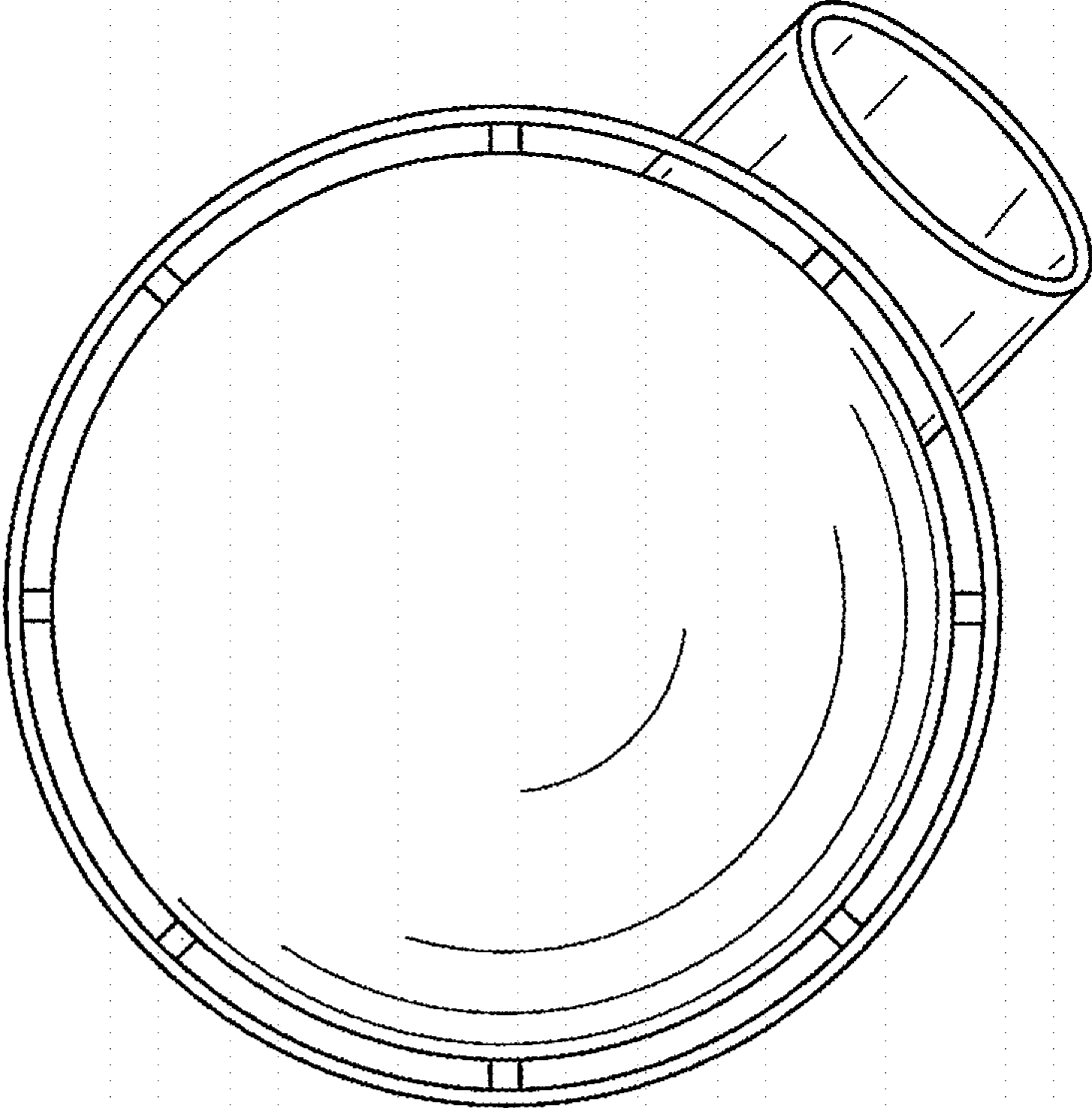


FIG. 3