

US00D763929S

(12) **United States Design Patent**  
**Schmaltz et al.**

(10) **Patent No.:** **US D763,929 S**  
(45) **Date of Patent:** **\*\* Aug. 16, 2016**

(54) **DISPLAY INTERFACE OR HOUSING THEREOF**

(71) Applicant: **Deere & Company**, Moline, IL (US)

(72) Inventors: **Mark D. Schmaltz**, Fargo, ND (US);  
**Derrick J. Becker**, Williamsburg, IA (US)

(73) Assignee: **Deere & Company**, Moline, IL (US)

(\*\*) Term: **14 Years**

(21) Appl. No.: **29/523,226**

(22) Filed: **Apr. 7, 2015**

**Related U.S. Application Data**

(62) Division of application No. 29/455,676, filed on May 23, 2013, now Pat. No. Des. 731,560.

(51) **LOC (10) Cl.** ..... **15-03**

(52) **U.S. Cl.**  
USPC ..... **D15/28**

(58) **Field of Classification Search**  
USPC ..... D15/28, 17; D13/158-184; D14/371,  
D14/240, 239; D24/215; 361/728, 729, 736,  
361/740, 752, 761; 315/291, 294, 295;  
362/559, 225; 700/17-32; 345/173,  
345/156; 439/761, 341; D10/49, 46, 96  
CPC ..... G06F 3/041; G06F 3/0412; G06F 3/0416;  
G06F 3/04817; G06F 3/0482; H02B 1/30;  
H02B 1/42; H02B 1/46  
See application file for complete search history.

(56) **References Cited**

**U.S. PATENT DOCUMENTS**

- 6,247,768 B1 \* 6/2001 Yamaguchi ..... G07G 1/0018  
312/223.2
- D446,193 S \* 8/2001 Lavelle ..... D14/126
- D504,687 S \* 5/2005 Lee ..... D14/374
- D520,386 S \* 5/2006 Takach ..... D10/50
- D521,002 S \* 5/2006 Rinna ..... D14/374
- D669,075 S \* 10/2012 Seo ..... D14/371
- D690,275 S \* 9/2013 Seidl ..... D13/162

- D694,195 S \* 11/2013 Gammon ..... D13/162
- D721,740 S \* 1/2015 Schmaltz ..... D15/28
- D731,560 S \* 6/2015 Schmaltz ..... D15/28
- D750,021 S \* 2/2016 Gao ..... D13/118

**OTHER PUBLICATIONS**

- “GS3 2630 Display.” User Guide manual. “GreenStar3 2630 Display.” Copyright 2012 Deere & Company.
- “GreenStar2 Guidance Quick Reference Guide.” PF12297-GS2 QRG-NA-EU 1, dated 2005.
- “GS2 Display—Basic Applications” Operator’s Manual, pp. 20-2, 20-3, 20-4 and 20-5. OMPFP10231, Issue E0 (English). Copyright 2010 Deere & Company.
- “GS2 1800 Display” Operator’s Manual, pp. 15-1, 20-1, 20-2 and 20-3. OMPFP11871, Issue L1 (English). Copyright 2011 Deere & Company.

\* cited by examiner

*Primary Examiner* — Mark Goodwin

(74) *Attorney, Agent, or Firm* — Ingrassia, Fisher & Lorenz PC

(57) **CLAIM**

The ornamental design for a display interface or housing thereof, as shown and described.

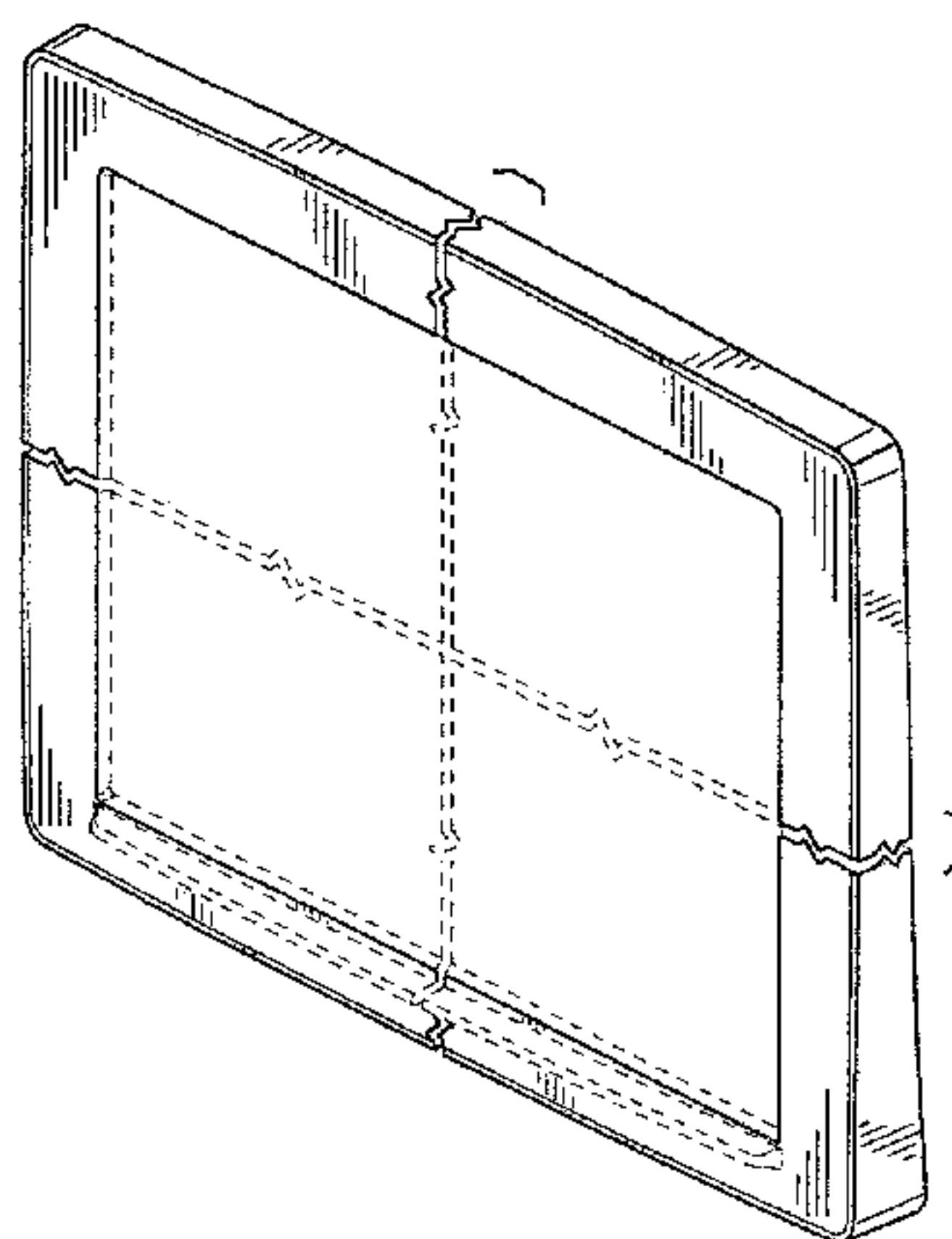
**DESCRIPTION**

FIG. 1 is a right, front, top perspective view of a display interface or housing thereof according to our new design; FIG. 2 is a front elevational view thereof; FIG. 3 is a right side elevational view thereof; FIG. 4 is a left side elevational view thereof; FIG. 5 is a top plan view thereof; and, FIG. 6 is a bottom plan view thereof.

The nature of this design pertains to a display interface, or housing for a display interface, such as a touch screen control for a work vehicle.

The broken line representations in the figures illustrate unclaimed environment of the display interface. The break lines in the figures represent indeterminate dimensioning of the claimed design having surfaces therebetween that can be configured continuously or discontinuously with respect to one or more adjacent surfaces. Thus, the broken lines and the break lines form no part of the claimed design.

**1 Claim, 4 Drawing Sheets**



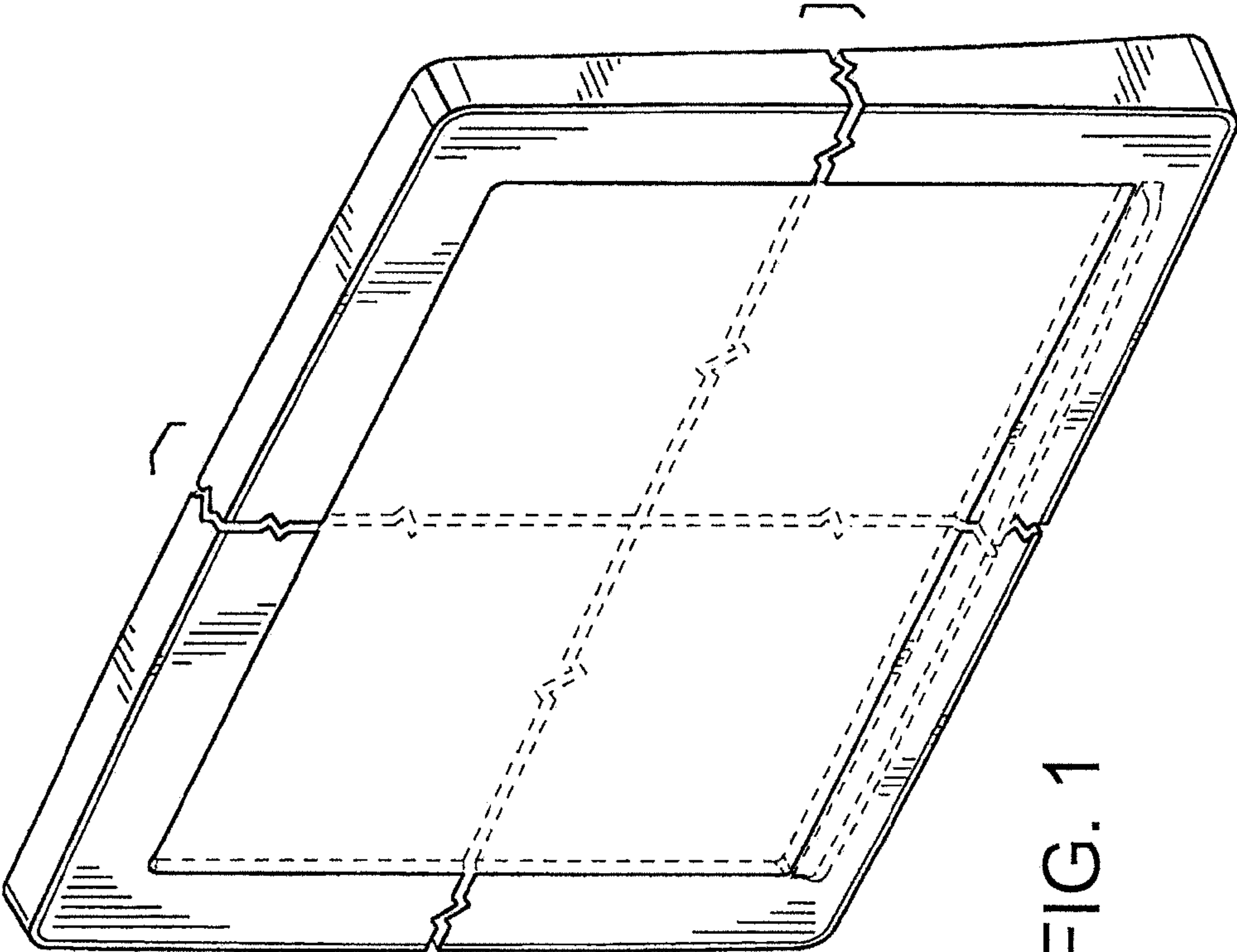


FIG. 1

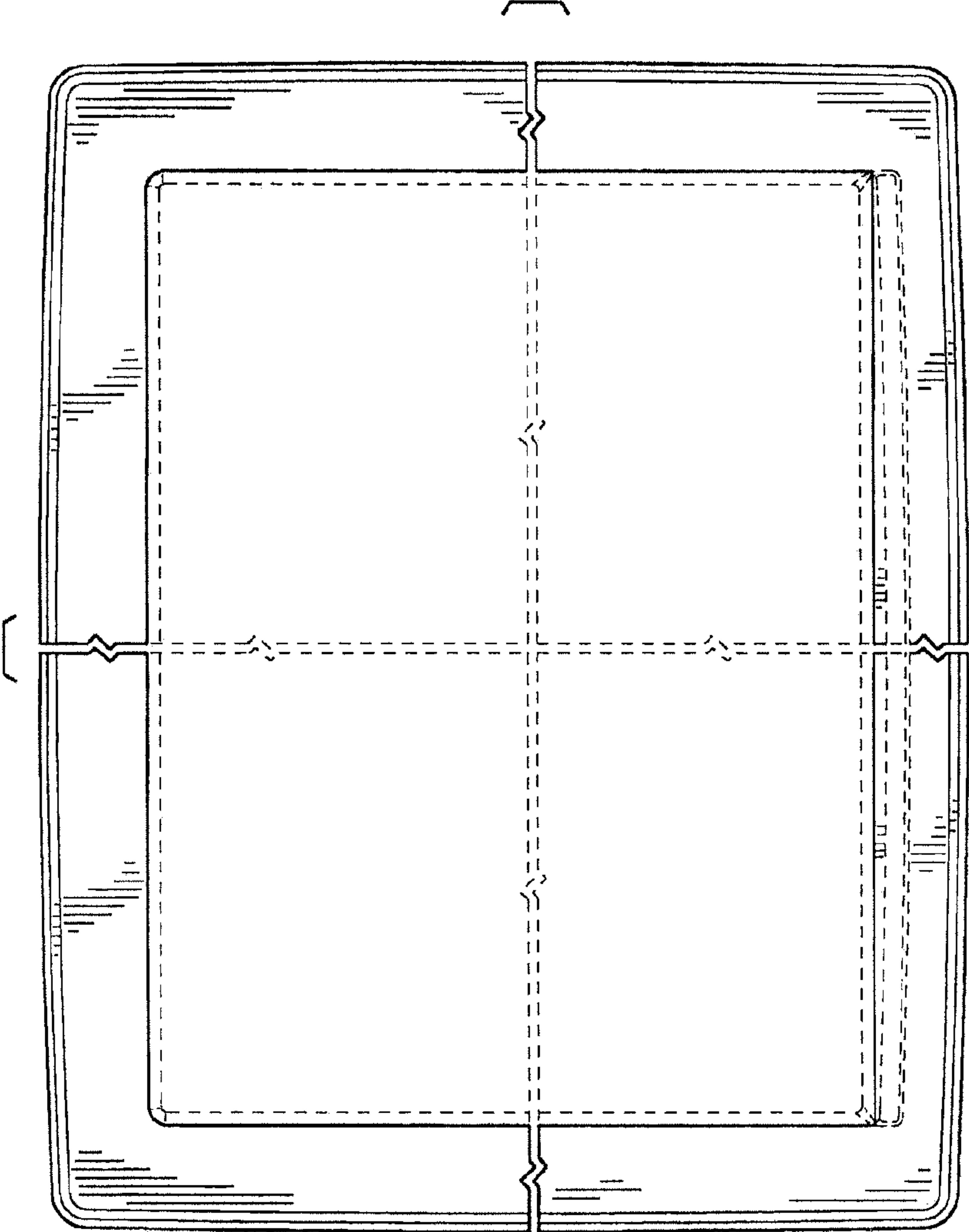


FIG. 2

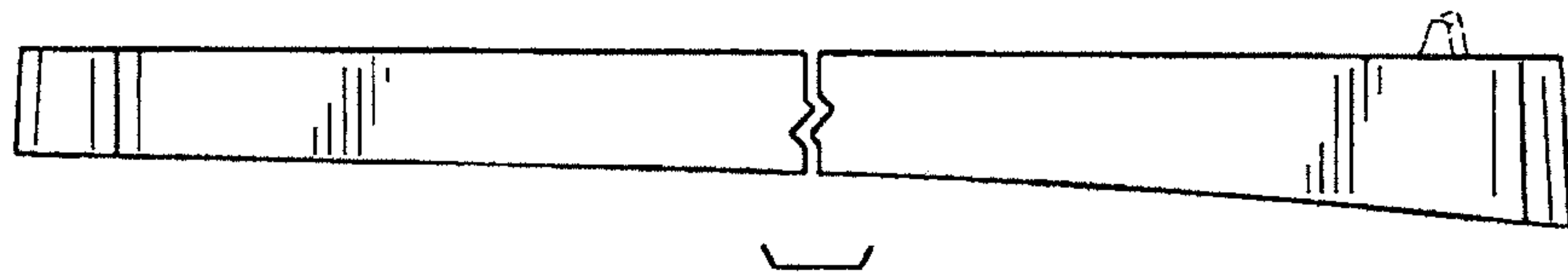


FIG. 4

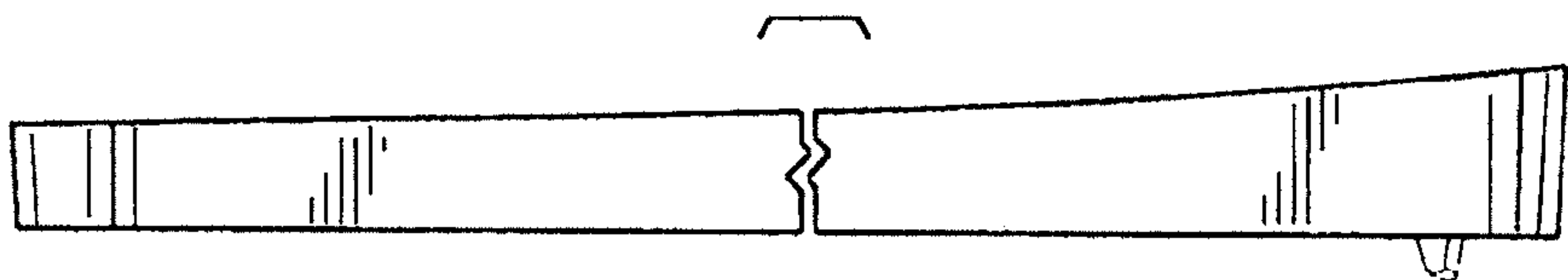


FIG. 3

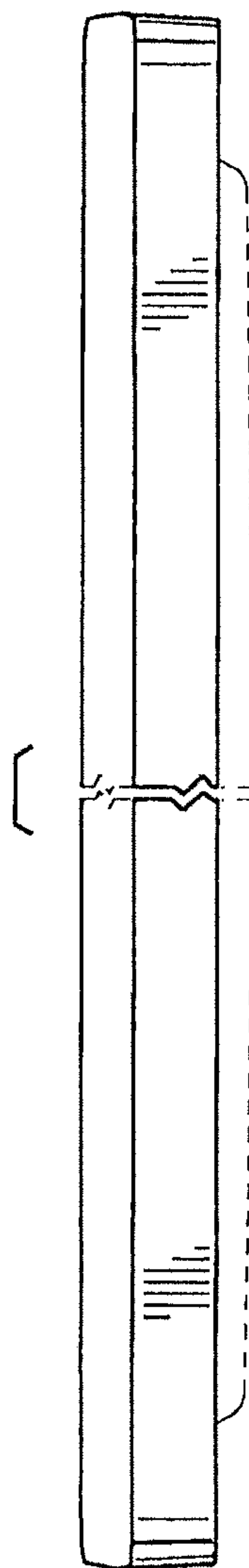


FIG. 5

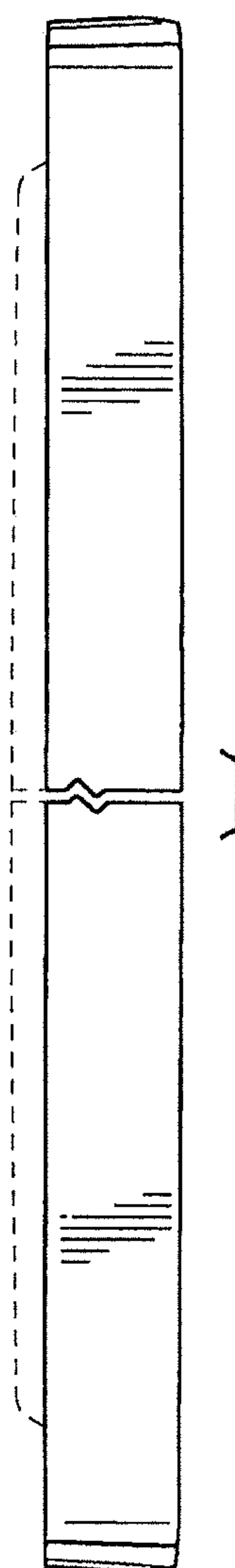


FIG. 6