



US00D763911S

(12) **United States Design Patent**  
**Choi et al.**

(10) **Patent No.:** **US D763,911 S**

(45) **Date of Patent:** **\*\* Aug. 16, 2016**

(54) **DISPLAY SCREEN OR PORTION THEREOF WITH GRAPHICAL USER INTERFACE**

(71) Applicant: **Samsung Electronics Co., Ltd.**,  
Suwon-si (KR)

(72) Inventors: **Hye-Jeong Choi**, Seoul (KR); **Bo-Woo Park**, Seoul (KR)

(73) Assignee: **SAMSUNG ELECTRONICS CO., LTD.**, Suwon-Si (KR)

(\*\*) Term: **14 Years**

(21) Appl. No.: **29/510,053**

(22) Filed: **Nov. 24, 2014**

(30) **Foreign Application Priority Data**

Jul. 17, 2014 (KR) ..... 30-2014-0035187

(51) **LOC (10) Cl.** ..... **14-04**

(52) **U.S. Cl.**  
USPC ..... **D14/489**

(58) **Field of Classification Search**  
USPC ..... D14/485–495  
CPC ... G06F 3/048; G06F 3/0481; G06F 3/04812;  
G06F 3/04815; G06F 3/04817; G06F 3/0482;  
G06F 3/0483; G06F 3/0484; G06F 3/04842;  
G06F 3/04845; G06F 3/04847; G06F 3/0485;  
G06F 3/04855; G06F 3/0486; G06F 3/0487;  
G06F 3/0488; G06F 3/04883; G06F 3/04886;  
H04N 1/00424  
See application file for complete search history.

(56) **References Cited**

**U.S. PATENT DOCUMENTS**

6,542,172 B1 \* 4/2003 Yamamoto ..... G06F 8/34  
715/759  
D488,818 S \* 4/2004 Lee ..... D14/489  
D599,362 S \* 9/2009 Danton ..... D14/485

D606,093 S \* 12/2009 Danton ..... D14/489  
D643,853 S \* 8/2011 Matas ..... D14/490  
D693,364 S \* 11/2013 Gardner ..... D14/489  
D703,692 S \* 4/2014 Phelan ..... D14/488  
D706,816 S 6/2014 Holz  
D706,824 S 6/2014 Smith  
D709,088 S \* 7/2014 Barcheck ..... D14/489  
D732,578 S \* 6/2015 Seo ..... D14/489  
D736,820 S \* 8/2015 Clement ..... D14/488  
D741,904 S \* 10/2015 Clement ..... D14/490  
D746,830 S \* 1/2016 Seo ..... D14/485

(Continued)

**FOREIGN PATENT DOCUMENTS**

KR 300744176 5/2014  
RO f20120077-0006 3/2012  
SE 81227-0001 9/2010

*Primary Examiner* — Melanie H Tung

*Assistant Examiner* — Bao-Yen Nguyen

(74) *Attorney, Agent, or Firm* — McAndrews Held & Malloy, Ltd.

(57) **CLAIM**

The ornamental design for a display screen or portion thereof with graphical user interface, as shown and described.

**DESCRIPTION**

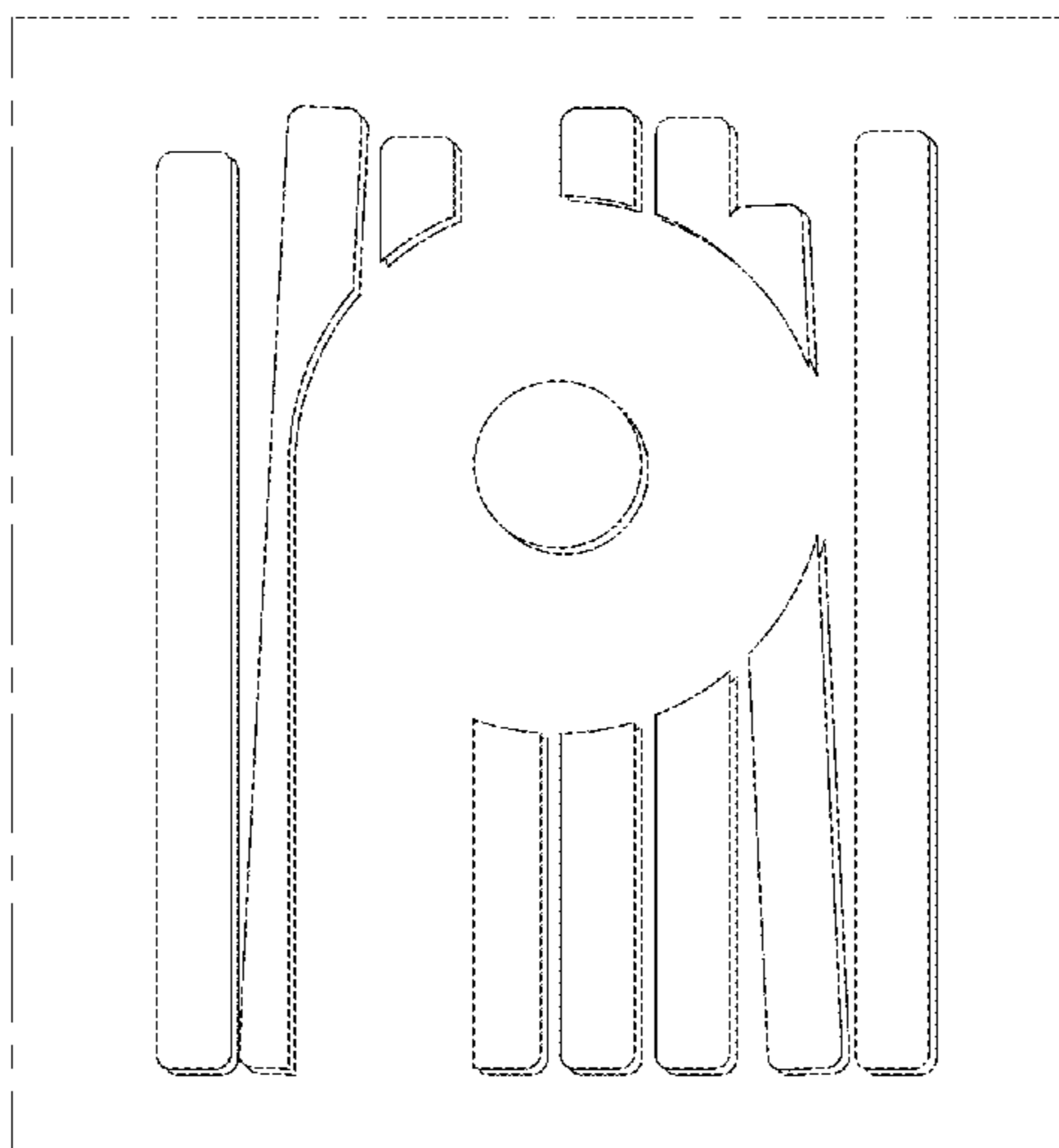
FIG. 1 is a front view of a display screen or portion thereof with graphical user interface showing our new design; the icon is shown separately for clarity of illustration, on an enlarged scale; and,  
FIG. 2 is another front view thereof.

The dash-dot broken lines in FIGS. 1 and 2 represent an unclaimed boundary line and form no part of the claimed design.

The outer dashed broken lines in FIG. 2 show a display screen or portion thereof and form no part of the claimed design.

The inner dashed broken line showing the remainder of the graphical user interface in FIG. 2 forms no part of the claimed design.

**1 Claim, 2 Drawing Sheets**



(56)

**References Cited**

2011/0252370 A1\* 10/2011 Chaudhri ..... G06F 3/04883  
715/830

U.S. PATENT DOCUMENTS

2010/0159898 A1\* 6/2010 Krzyzanowski ..... G06F 9/4445  
455/414.1

\* cited by examiner

FIG. 1

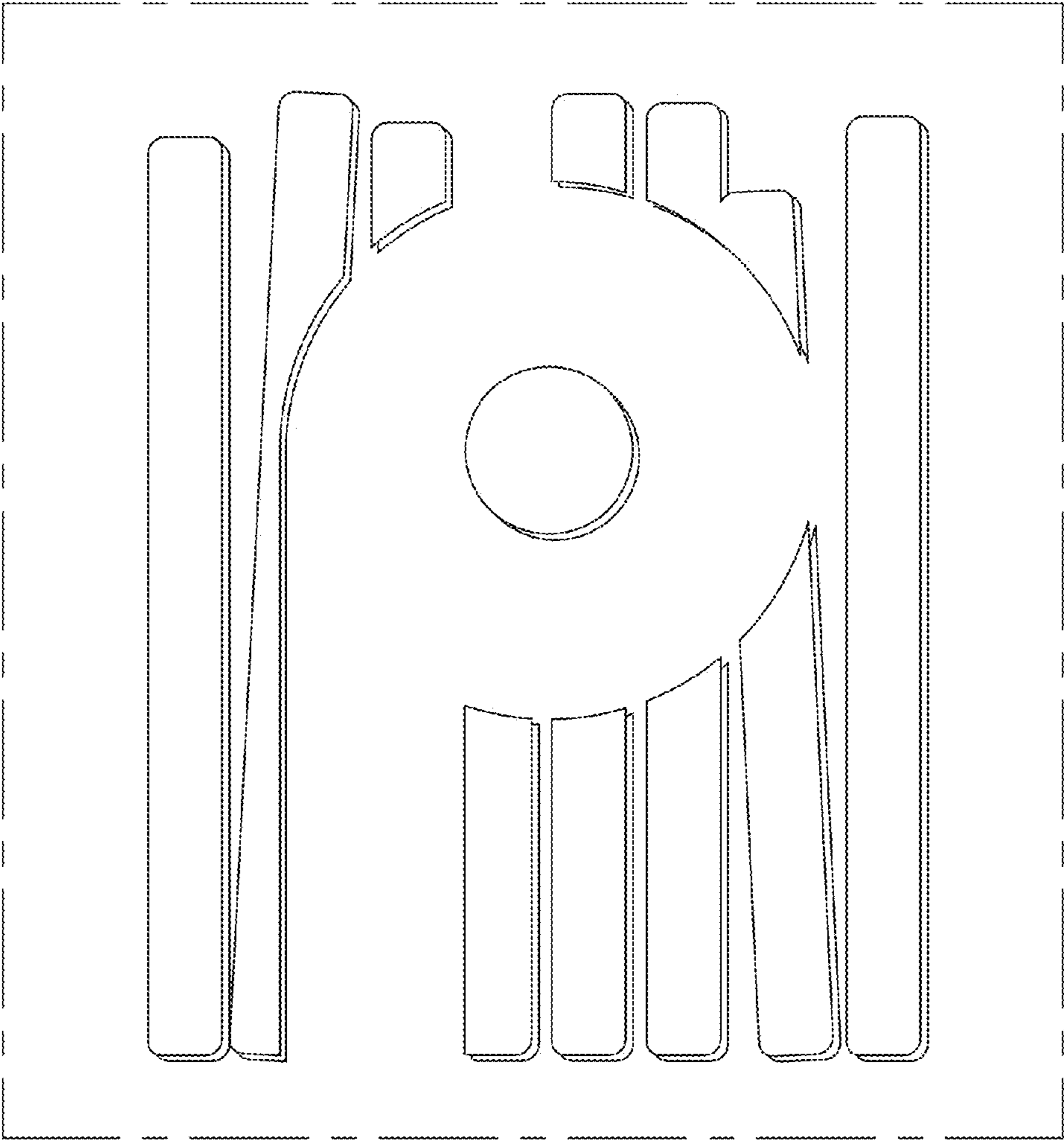


FIG. 2

