



US00D763899S

(12) **United States Design Patent**
Lee

(10) **Patent No.:** **US D763,899 S**

(45) **Date of Patent:** **** Aug. 16, 2016**

(54) **DISPLAY SCREEN OR PORTION THEREOF WITH ANIMATED GRAPHICAL USER INTERFACE**

7,661,071 B2 * 2/2010 Blanco G06F 8/38
715/782
D611,053 S * 3/2010 Kanga D14/485
D637,606 S * 5/2011 Luke D14/488

(71) Applicant: **Samsung Electronics Co., Ltd.**,
Suwon-si, Gyeonggi-do (KR)

(Continued)

Primary Examiner — Cathron Brooks

Assistant Examiner — Andrew Nemeth

(72) Inventor: **Jae-Myoung Lee**, Seoul (KR)

(74) *Attorney, Agent, or Firm* — Cantor Colburn LLP

(73) Assignee: **SAMSUNG ELECTRONICS CO., LTD.** (KR)

(57) **CLAIM**

The ornamental design for a display screen or portion thereof with animated graphical user interface, as shown and described.

(**) Term: **14 Years**

DESCRIPTION

(21) Appl. No.: **29/464,320**

(22) Filed: **Aug. 15, 2013**

(30) **Foreign Application Priority Data**

Feb. 23, 2013 (KR) 30-2013-0009485

(51) **LOC (10) Cl.** **14-04**

(52) **U.S. Cl.**
USPC **D14/488**

(58) **Field of Classification Search**
USPC D14/485–495
CPC ... G06F 3/0481; G06F 3/0482; G06F 3/0486;
G06F 3/0488

See application file for complete search history.

FIG. 1 is a front view of the first image in a sequence for a display screen or portion thereof with animated graphical user interface showing my new design, FIG. 2 is a front view of the second image thereof; FIG. 3 is a front view of the third image thereof; FIG. 4 is a front view of the fourth image thereof; FIG. 5 is a front view of the fifth image thereof; FIG. 6 is another front view of FIG. 1 but showing the display screen in an exemplary environment; FIG. 7 is another front view of FIG. 2 but showing the display screen in an exemplary environment; FIG. 8 is another front view of FIG. 2 but showing the display screen in an exemplary environment; FIG. 9 is another front view of FIG. 3 but showing the display screen in an exemplary environment; and, FIG. 10 is another front view of FIG. 4 but showing the display screen in an exemplary environment.

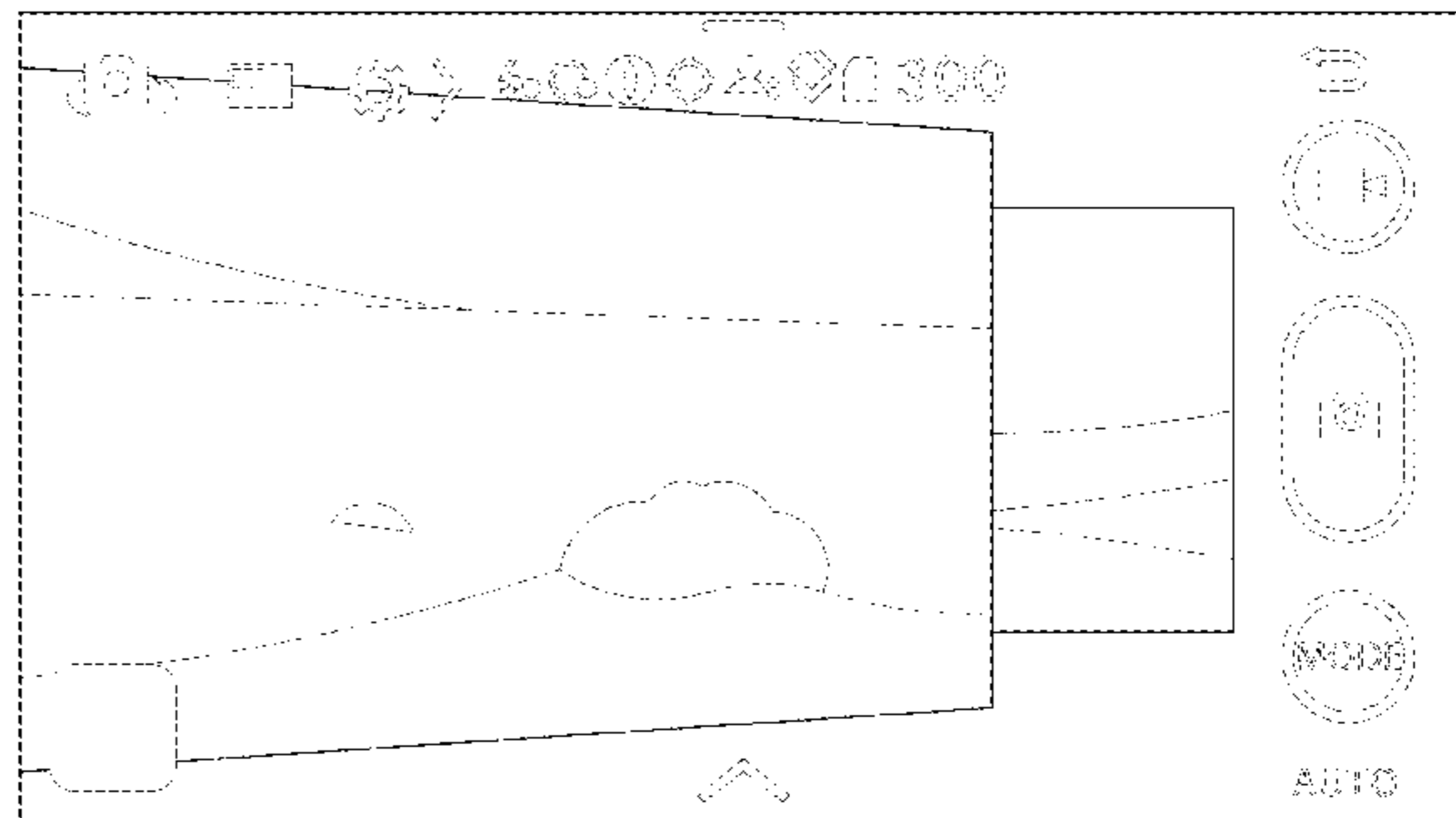
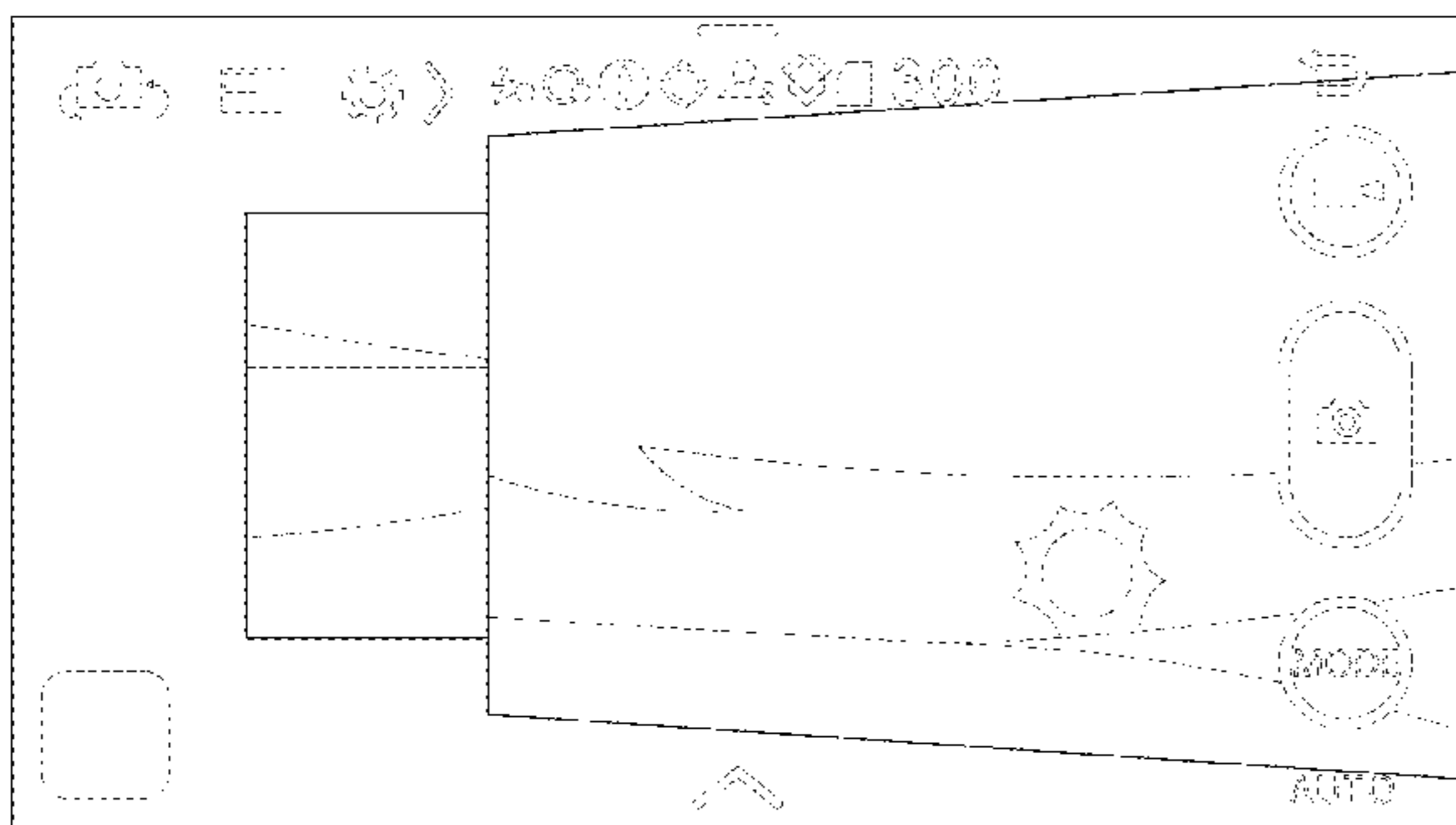
The appearance of the animated user interface sequentially transitions between the images shown in FIGS. 1-5 and in FIGS. 6-10. The outermost broken line shown in FIGS. 6-10 illustrates an electronic device. The broken line renderings of the alphanumeric characters, symbols, and other features in FIGS. 1-10, and the remainder of the device containing the display screen in FIGS. 6-10, illustrate the environment of the design. None of the broken lines form part of the claimed design.

(56) **References Cited**

U.S. PATENT DOCUMENTS

5,880,733 A * 3/1999 Horvitz G06F 3/04815
345/427
6,411,292 B1 * 6/2002 Cook G06F 3/04815
345/419
6,577,330 B1 * 6/2003 Tsuda G06F 3/04815
715/781
D599,368 S * 9/2009 Kanga D14/485
D599,806 S * 9/2009 Brown D14/485
7,636,889 B2 * 12/2009 Weber G06F 3/0482
345/672
D609,715 S * 2/2010 Chaudhri D14/486

1 Claim, 10 Drawing Sheets



(56)

References Cited

U.S. PATENT DOCUMENTS

D640,284 S *	6/2011	Woo	D14/487	D742,901 S *	11/2015	Choi	D14/486
D651,609 S *	1/2012	Pearson	D14/486	D744,496 S *	12/2015	Seo	D14/485
D654,504 S *	2/2012	Pearson	D14/486	D748,650 S *	2/2016	Moon	D14/486
D658,678 S *	5/2012	Gleasant	D14/488	D749,099 S *	2/2016	Moon	D14/486
D663,740 S *	7/2012	Gleasant	D14/486	D751,092 S *	3/2016	Moon	D14/486
D664,552 S *	7/2012	Gleasant	D14/486	D751,093 S *	3/2016	Moon	D14/486
D664,553 S *	7/2012	Gleasant	D14/486	9,283,829 B2 *	3/2016	Waller	B60H 1/00985
8,341,541 B2 *	12/2012	Holecek	G06F 17/30994 715/757	2003/0184576 A1 *	10/2003	Vronay	G06F 3/04815 715/719
D675,223 S *	1/2013	Woo	D14/487	2008/0062141 A1 *	3/2008	Chandhri	G06F 3/0482 345/173
D675,638 S *	2/2013	Woo	D14/487	2008/0066016 A1 *	3/2008	Dowdy	G06F 17/30775 715/854
D681,044 S *	4/2013	Sakata	D14/485	2009/0119590 A1 *	5/2009	Kondziela	G06F 8/38 715/716
D682,842 S *	5/2013	Kurata	D14/485	2010/0325568 A1 *	12/2010	Pedersen	G06F 17/30994 715/765
D682,874 S *	5/2013	Frijlink	D14/488	2014/0325556 A1 *	10/2014	Hoang	H04N 21/431 725/32
D689,873 S *	9/2013	Brinda	D14/485	2014/0351728 A1 *	11/2014	Seo	H04M 1/72569 715/766
D690,320 S *	9/2013	Frijlink	D14/488	2015/0020009 A1 *	1/2015	Keane	G06F 3/0483 715/765
D695,755 S *	12/2013	Hwang	D14/485	2015/0067601 A1 *	3/2015	Bernstein	G06F 3/0488 715/823
D697,079 S *	1/2014	Yuk	D14/488	2015/0277699 A1 *	10/2015	Algreatly	G06F 3/04815 715/850
D706,802 S *	6/2014	Myung	D14/486	2015/0326742 A1 *	11/2015	Ogino	H04N 1/00448 358/1.13
D707,249 S *	6/2014	Yamada	D14/488				
D716,338 S *	10/2014	Lee	D14/488				
D717,311 S *	11/2014	Sakata	D14/485				
D718,781 S *	12/2014	Arnold	D14/486				
D719,183 S *	12/2014	Kuwahara	D14/486				
9,046,986 B2 *	6/2015	Park	G06F 3/0481				
D738,906 S *	9/2015	Frijlink	D14/488				

* cited by examiner

FIG. 1

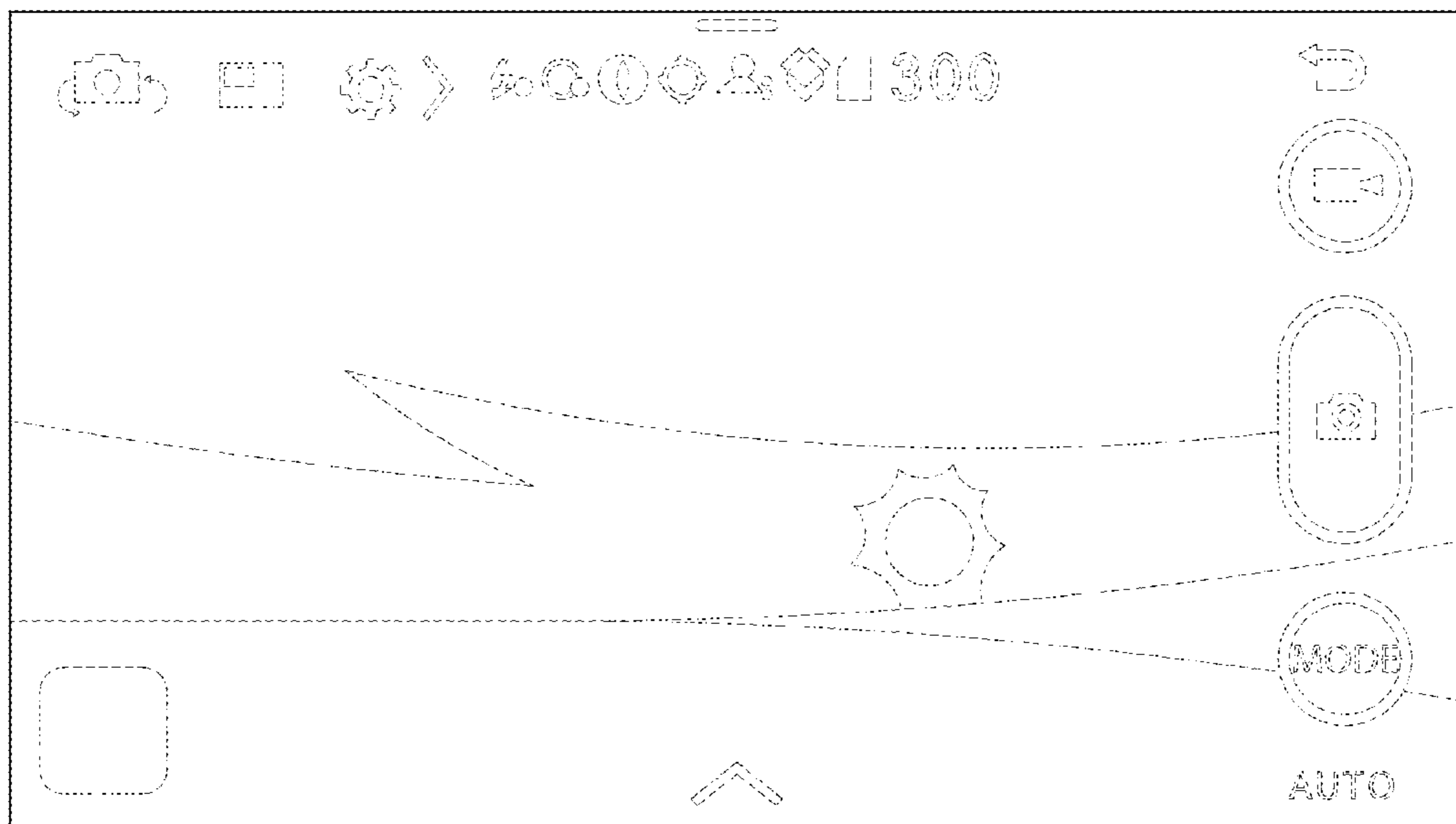


FIG. 2

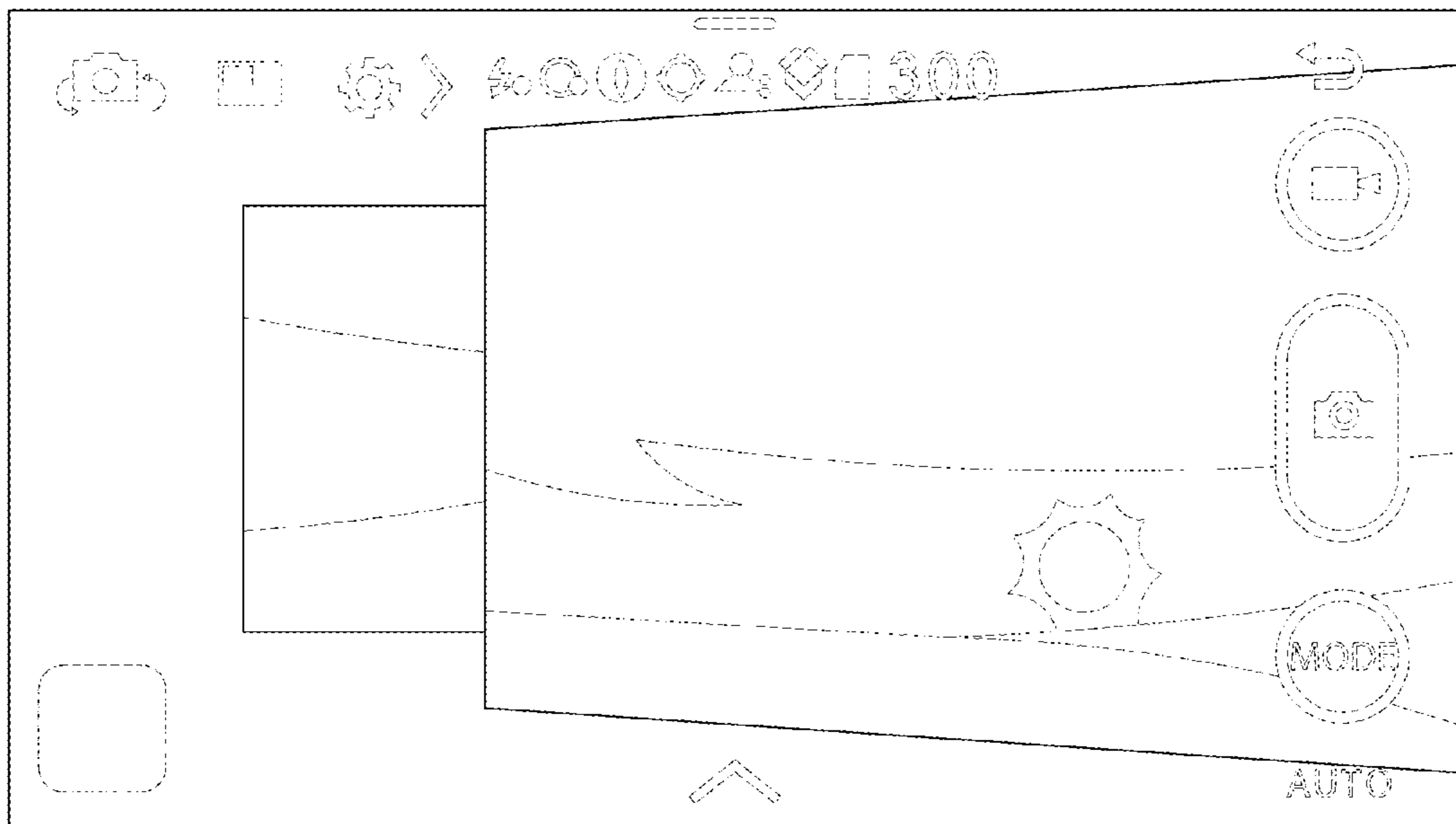


FIG. 3

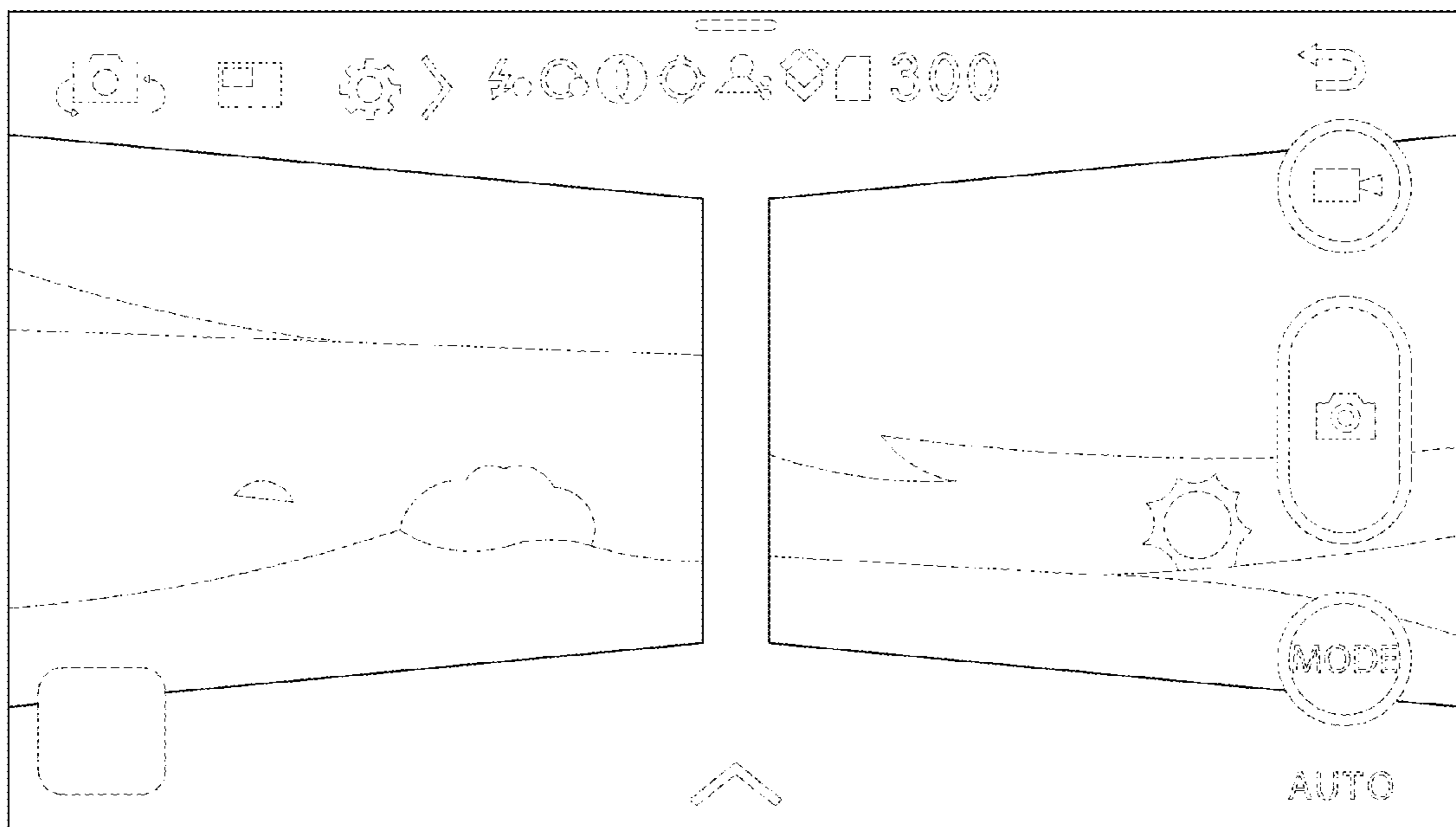


FIG. 4

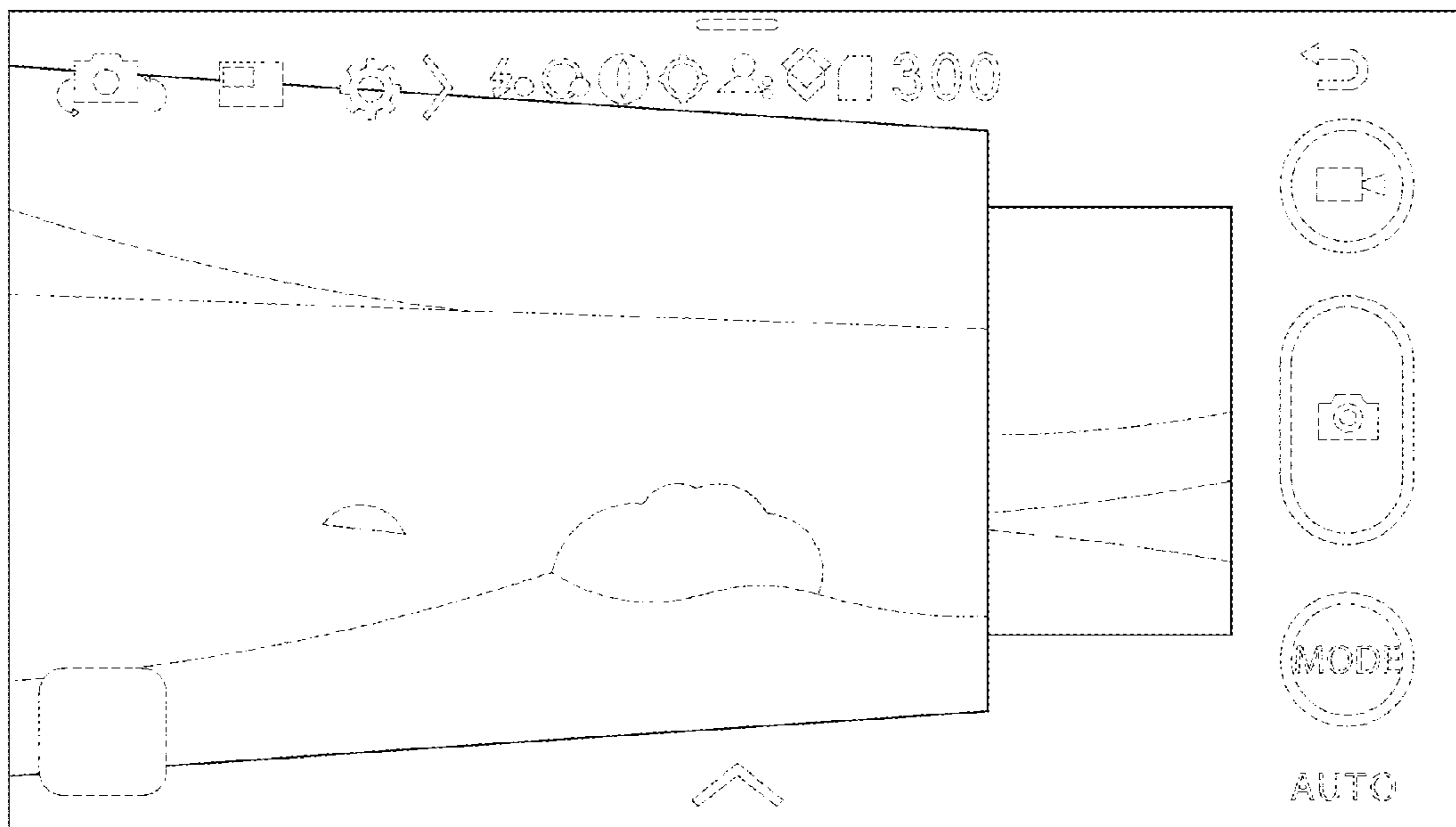


FIG. 5

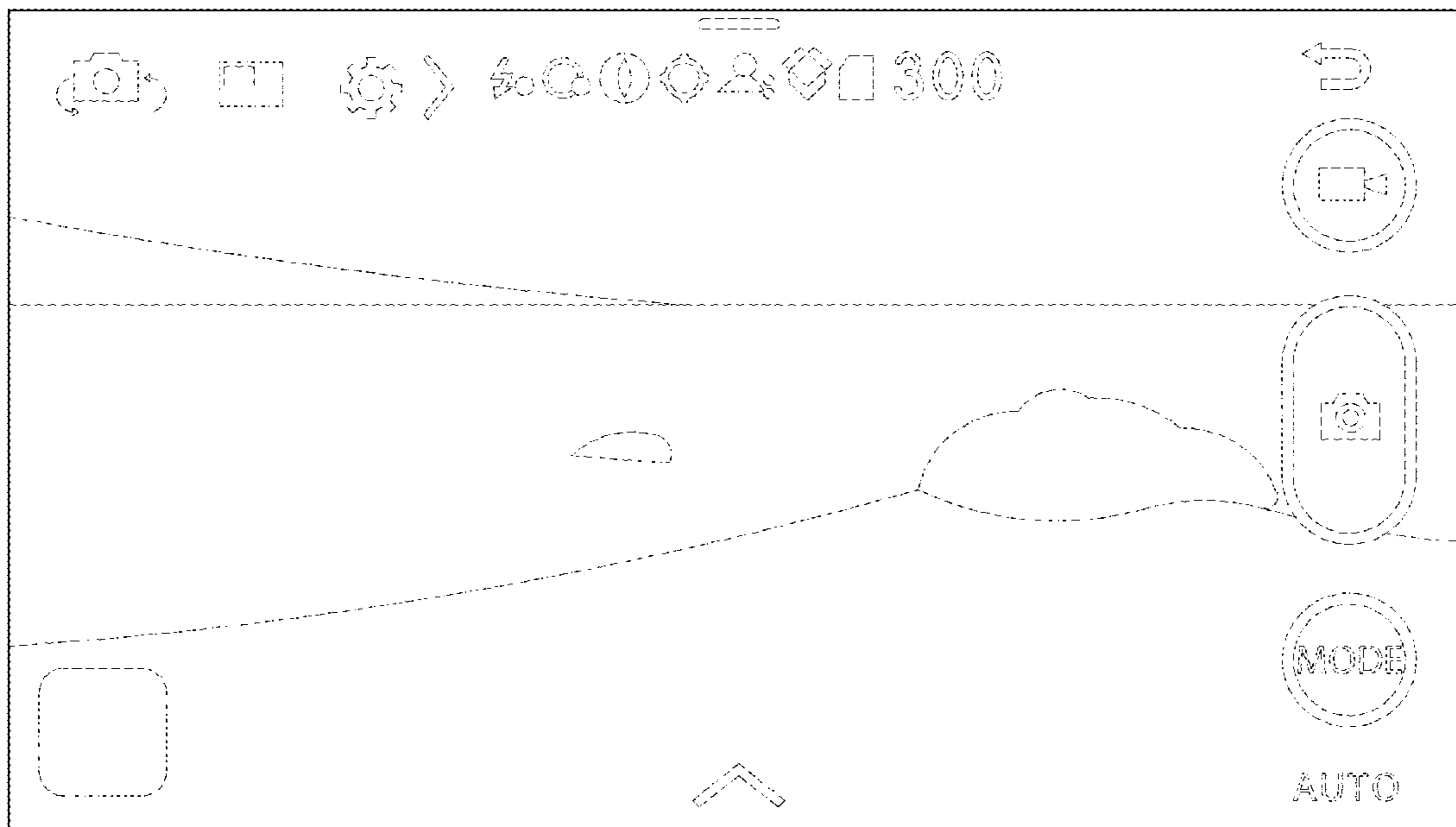


FIG. 6

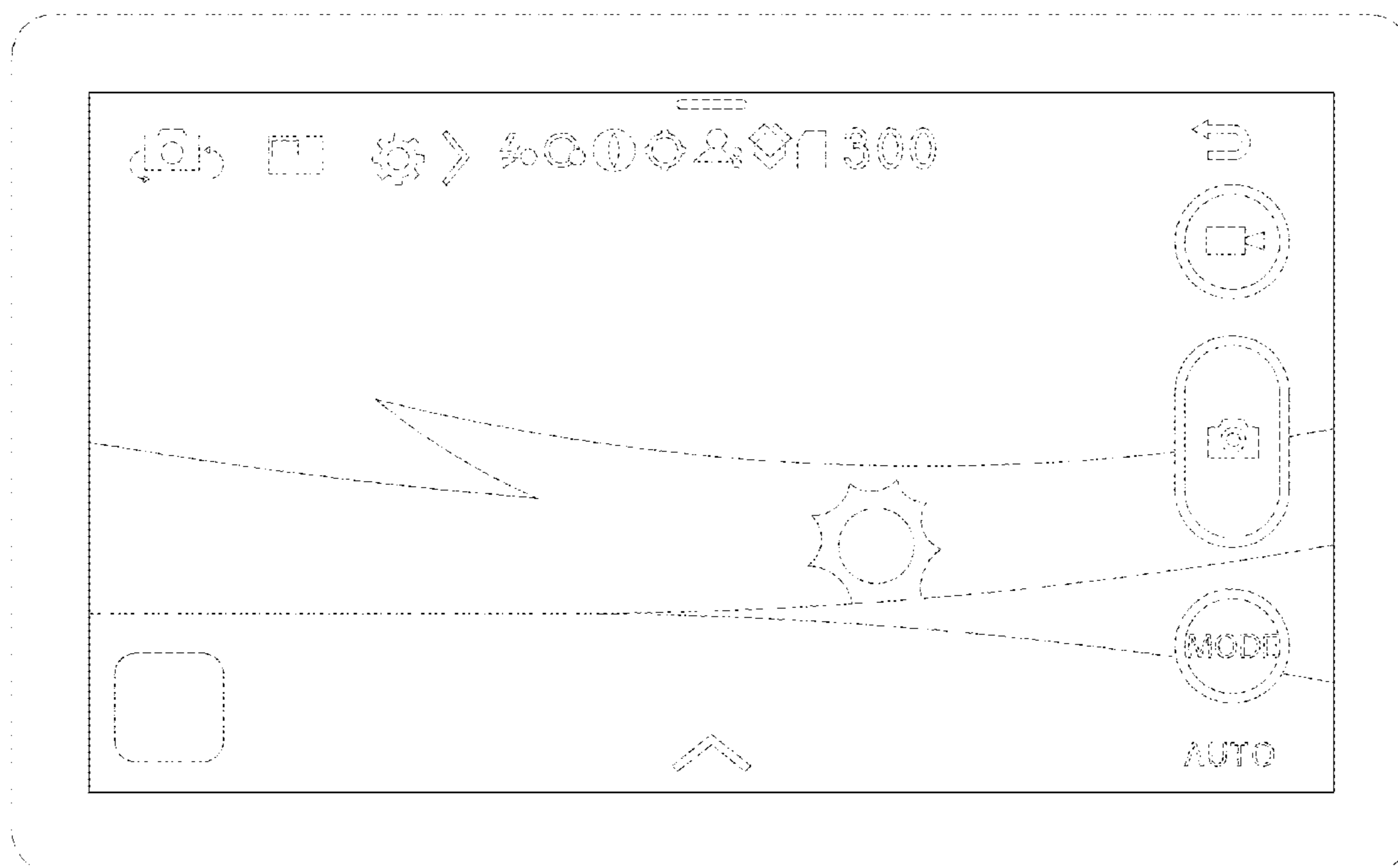


FIG. 7

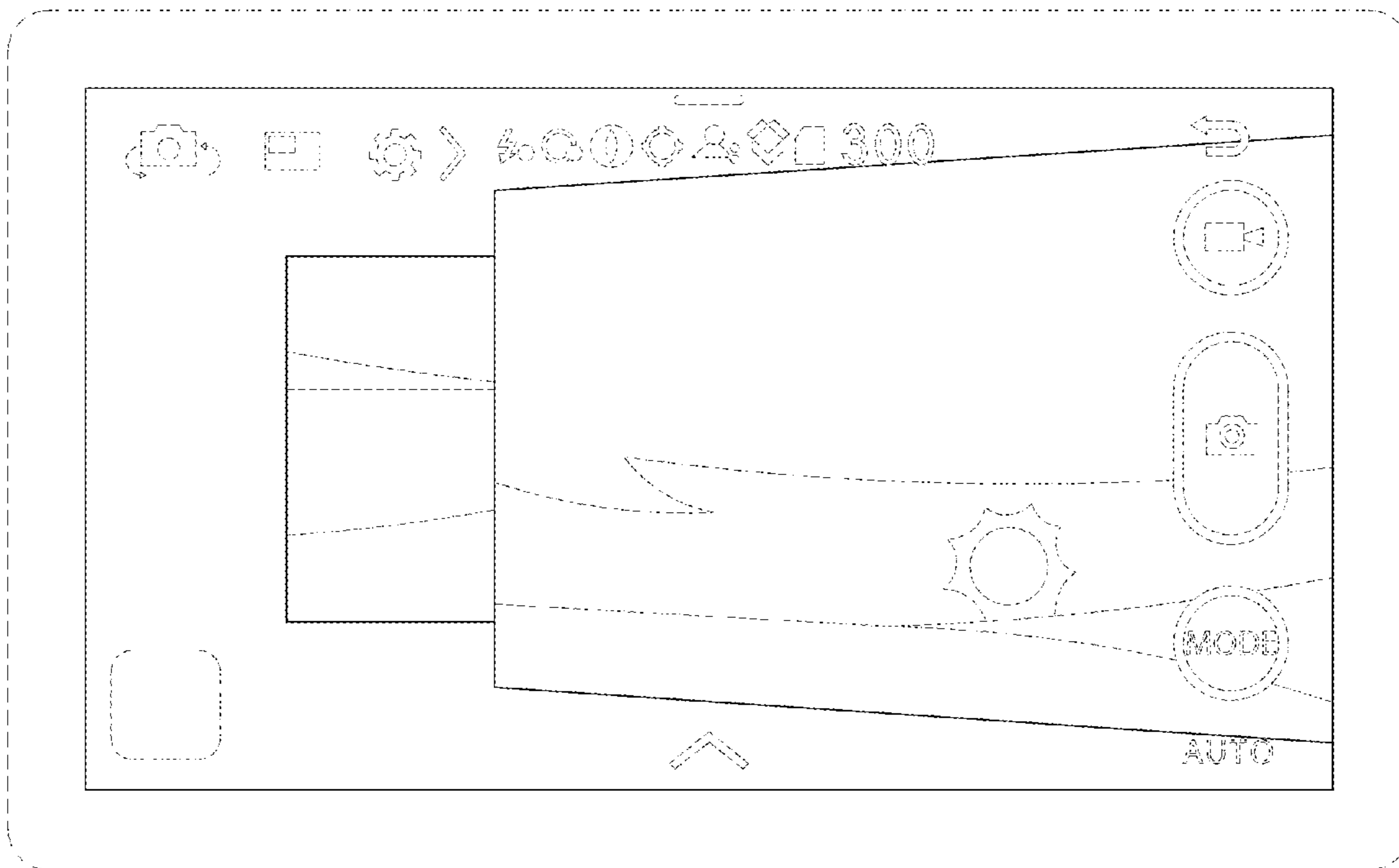


FIG. 8

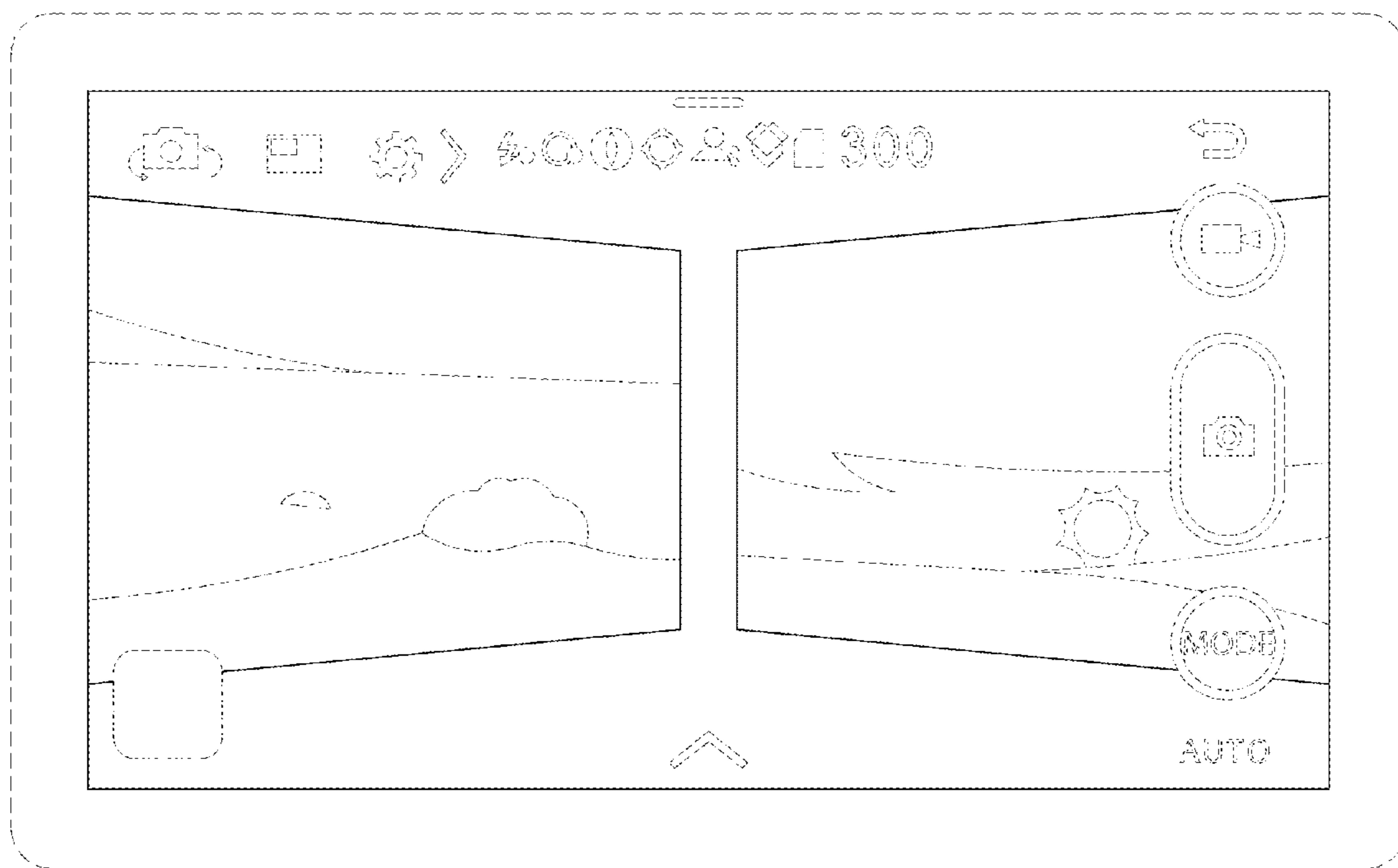


FIG. 9

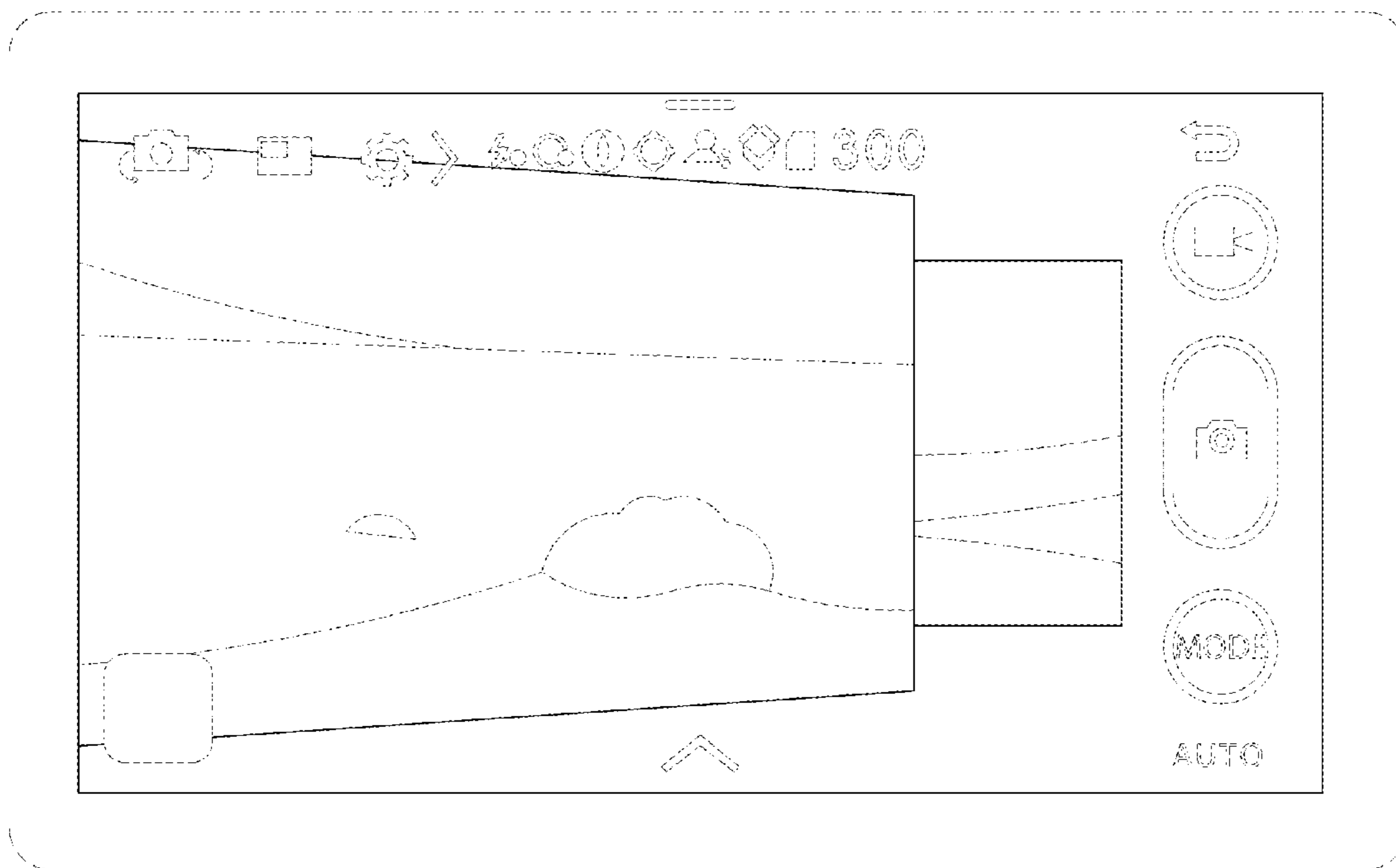


FIG. 10

