



US00D763869S

(12) **United States Design Patent**  
**Wang et al.**

(10) **Patent No.:** **US D763,869 S**  
(45) **Date of Patent:** **\*\* Aug. 16, 2016**

- (54) **DISPLAY SCREEN WITH A GRAPHICAL USER INTERFACE**
- (71) Applicants: **Beijing Qihoo Technology Co. Ltd,** Beijing (CN); **Qizhi Software (Beijing) Co. Ltd,** Beijing (CN)
- (72) Inventors: **Dongbin Wang,** Beijing (CN); **Jingbo Huang,** Beijing (CN)
- (73) Assignees: **Beijing Qihoo Technology Co. Ltd,** Beijing (CN); **Qizhi Software (Beijing) Co. Ltd,** Beijing (CN)

(\*\*) Term: **14 Years**

(21) Appl. No.: **29/507,815**

(22) Filed: **Oct. 30, 2014**

(30) **Foreign Application Priority Data**

May 1, 2014 (CN) ..... 2014 3 0114596

(51) **LOC (10) Cl.** ..... **14-04**

(52) **U.S. Cl.**  
USPC ..... **D14/485**

(58) **Field of Classification Search**  
USPC ..... D14/485-495; 715/763, 834  
CPC ... G06F 3/04847; G06F 3/0488; G06T 13/80;  
G06Q 10/063114  
See application file for complete search history.

(56) **References Cited**

**U.S. PATENT DOCUMENTS**

- D429,252 S \* 8/2000 Haitani ..... D14/492
- 7,076,738 B2 \* 7/2006 Baker ..... G06F 3/04817  
715/763
- D562,344 S \* 2/2008 Anderson ..... D14/488
- D587,723 S \* 3/2009 Lee ..... D14/486
- D593,116 S \* 5/2009 Garcia ..... D14/487

- D594,468 S \* 6/2009 Bamford ..... D14/488
- D644,243 S \* 8/2011 Matas ..... D14/489
- D650,793 S \* 12/2011 Impas ..... D14/489
- D651,612 S \* 1/2012 Impas ..... D14/489
- D687,063 S \* 7/2013 Myung ..... D14/489
- D702,700 S \* 4/2014 Thompson ..... D14/485
- D704,220 S \* 5/2014 Lim ..... D14/492
- 8,959,457 B2 \* 2/2015 Reed ..... G06F 3/0481  
715/763
- D726,221 S \* 4/2015 Gomez ..... D14/492
- D726,748 S \* 4/2015 Maekawa ..... D14/486
- D736,256 S \* 8/2015 Kwon ..... D14/492
- D738,393 S \* 9/2015 Lee ..... D14/486
- D742,897 S \* 11/2015 Matas ..... D14/485
- 9,183,560 B2 \* 11/2015 Abelow ..... G06Q 10/067
- D745,527 S \* 12/2015 Wang ..... D14/485
- D749,105 S \* 2/2016 Daniel ..... D14/486
- D751,606 S \* 3/2016 Yu ..... D14/494

(Continued)

*Primary Examiner* — Barbara Fox

*Assistant Examiner* — Kimberly Barnes

(74) *Attorney, Agent, or Firm* — Baker & Hostetler LLP

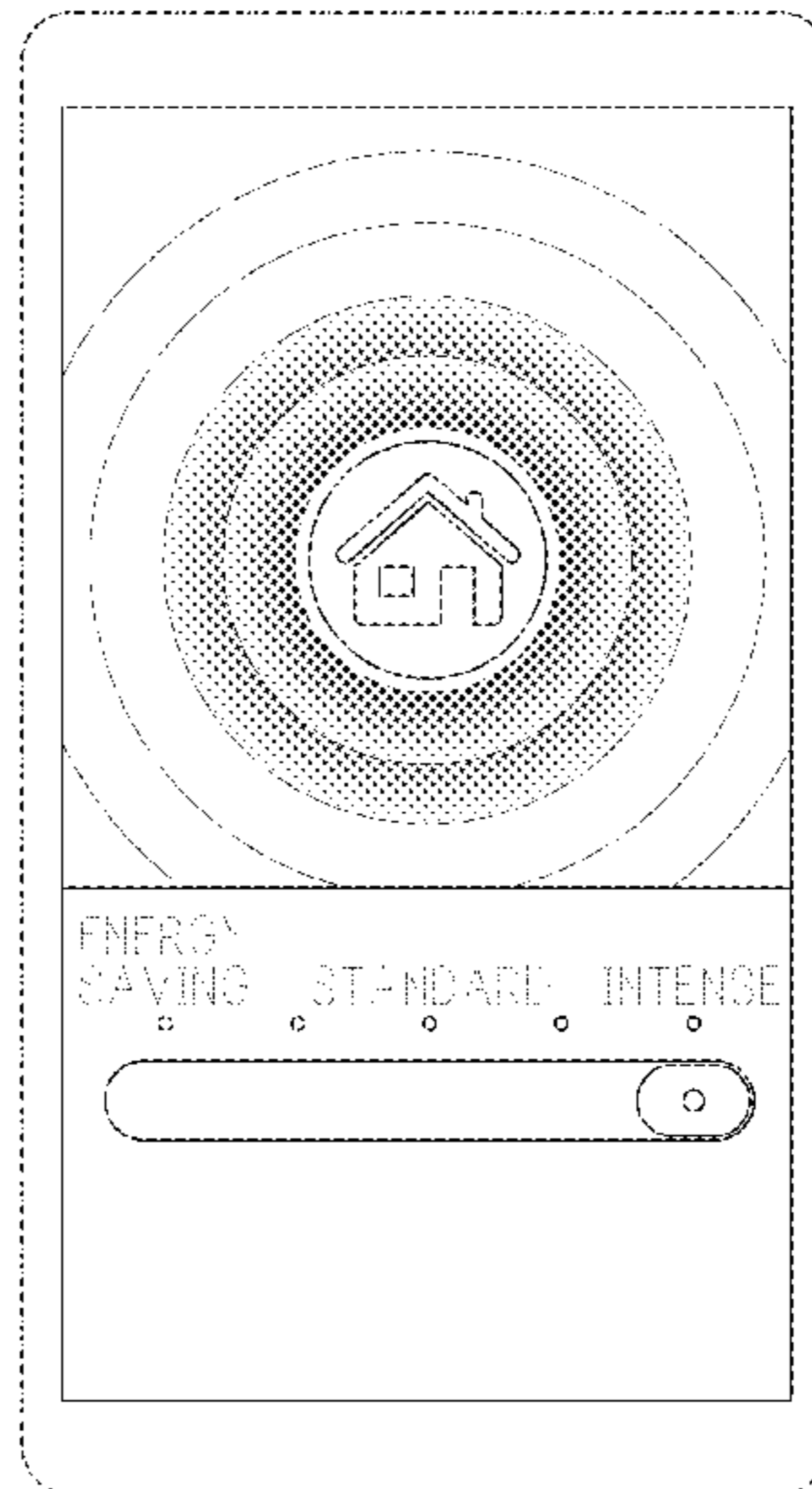
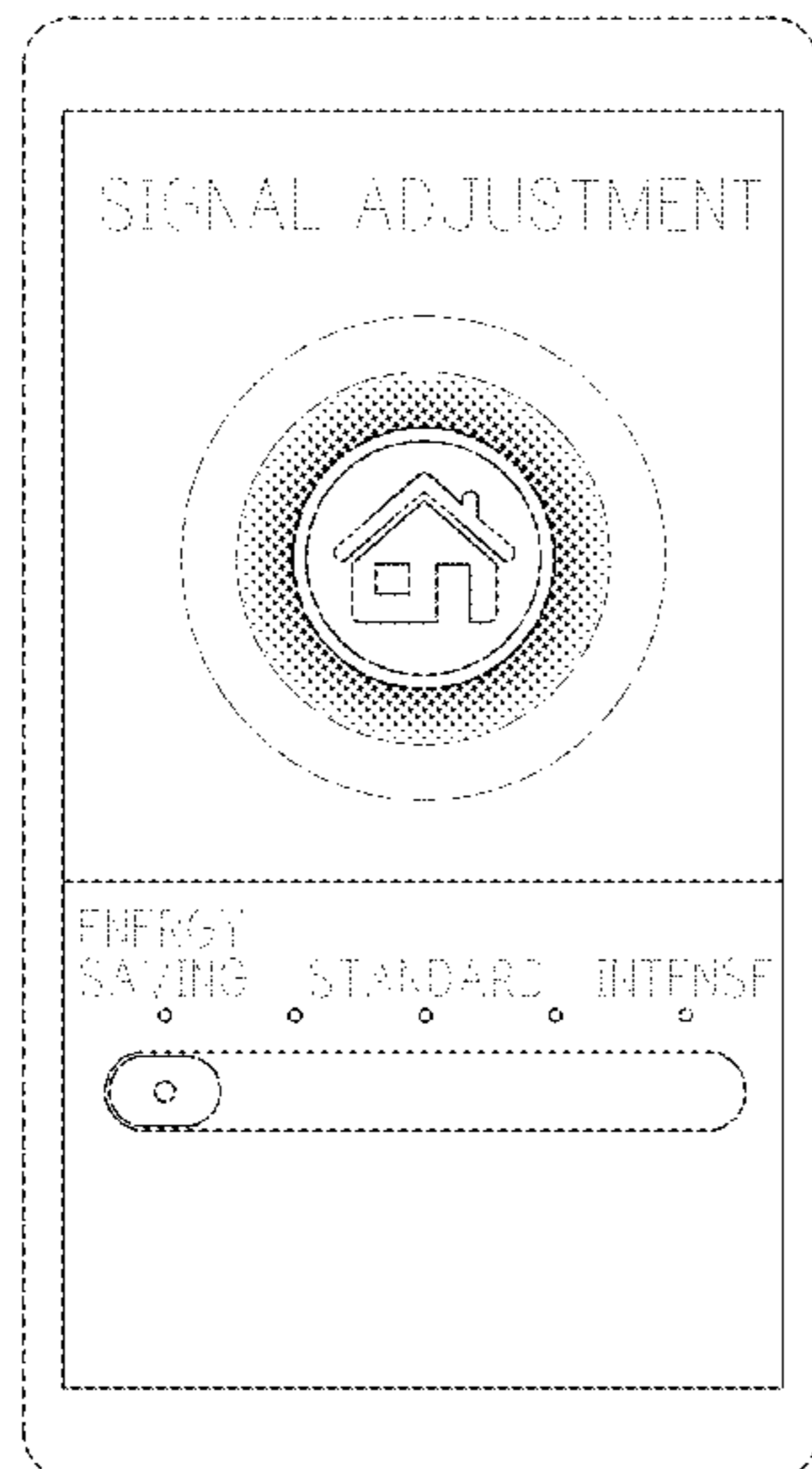
(57) **CLAIM**

We claim the ornamental design for a display screen with a graphical user interface, as shown and described.

**DESCRIPTION**

FIG. 1 is a front view of a first embodiment of a display screen with a graphical user interface showing the new design; FIG. 2 is a front view of a second embodiment thereof; FIG. 3 is a front view of a third embodiment thereof; FIG. 4 is a front view of a fourth embodiment thereof; and, FIG. 5 is a front view of a fifth embodiment thereof. The broken line showing of the outermost rectangle in the drawings depicts environmental subject matter and forms no part of the claimed design. The remaining broken lines illustrate portions of the display screen with a graphical user interface that form no part of the claimed design.

**1 Claim, 3 Drawing Sheets**



# US D763,869 S

Page 2

---

(56)

## References Cited

### U.S. PATENT DOCUMENTS

D753,132 S \* 4/2016 Cuthbert ..... D14/485  
2013/0091468 A1\* 4/2013 Xie ..... H04M 1/67  
715/835

2014/0180725 A1\* 6/2014 Ton-That ..... G06Q 10/10  
705/4  
2016/0026423 A1\* 1/2016 Zenoff ..... G06F 3/1407  
345/156

\* cited by examiner

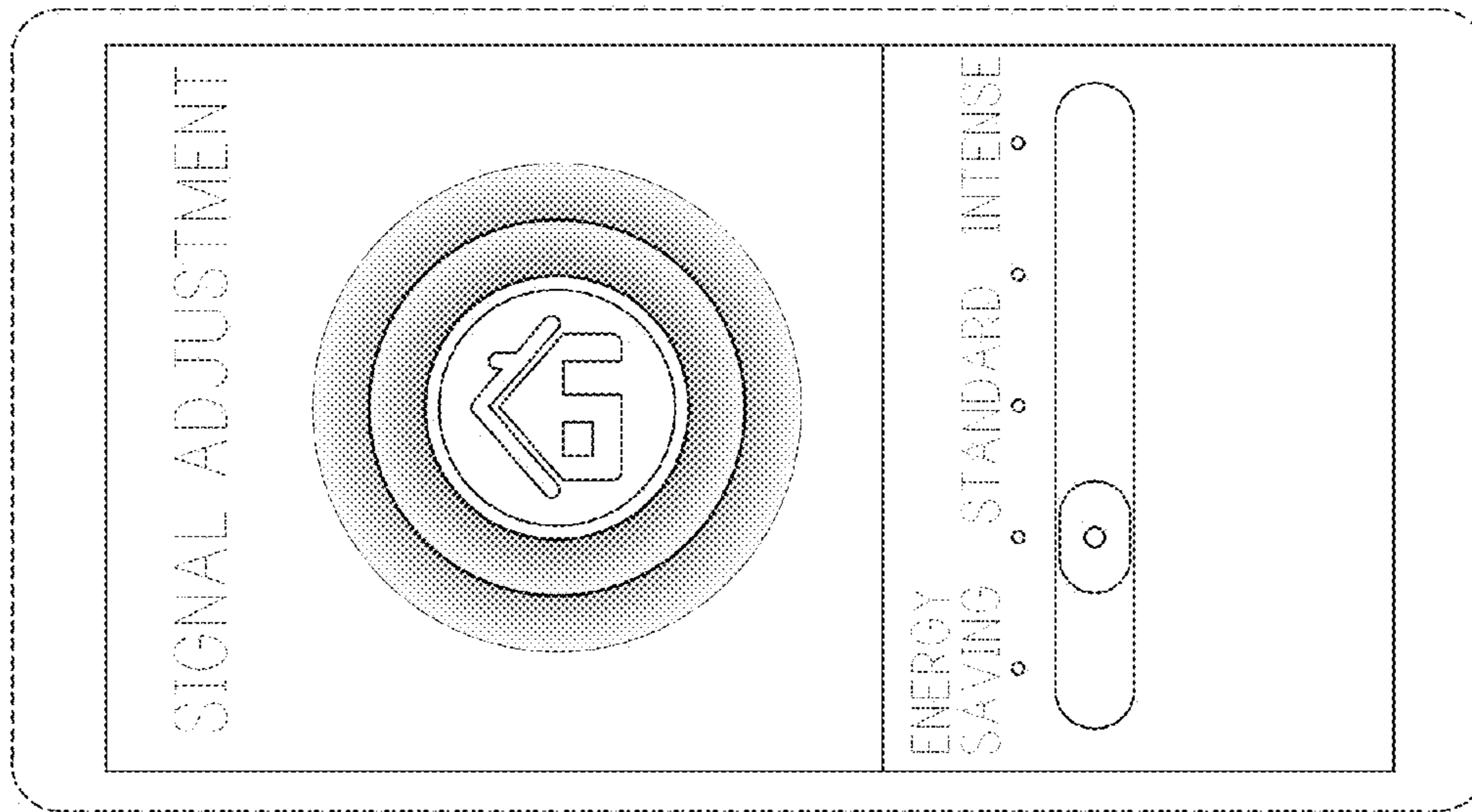


FIG. 2

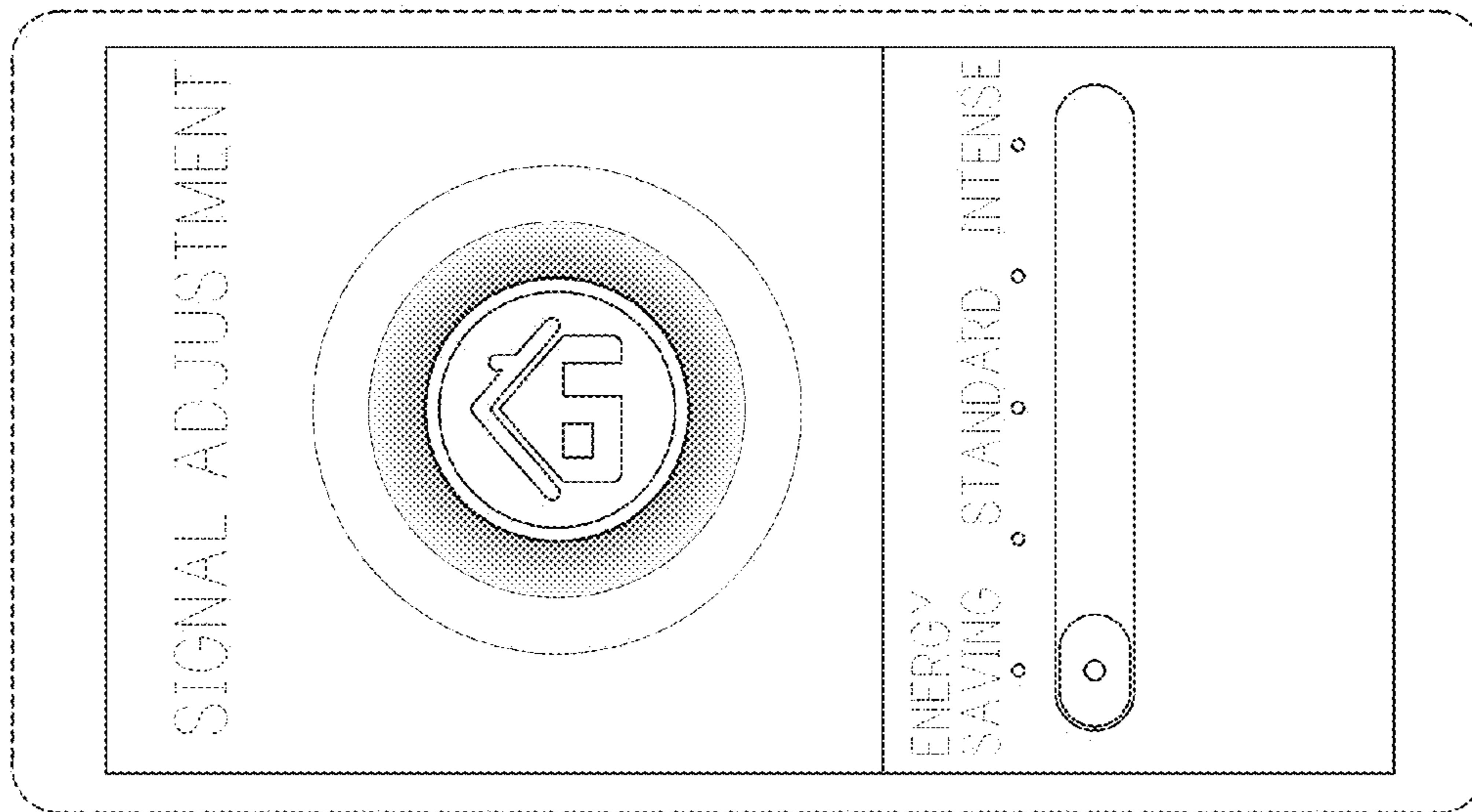


FIG. 1



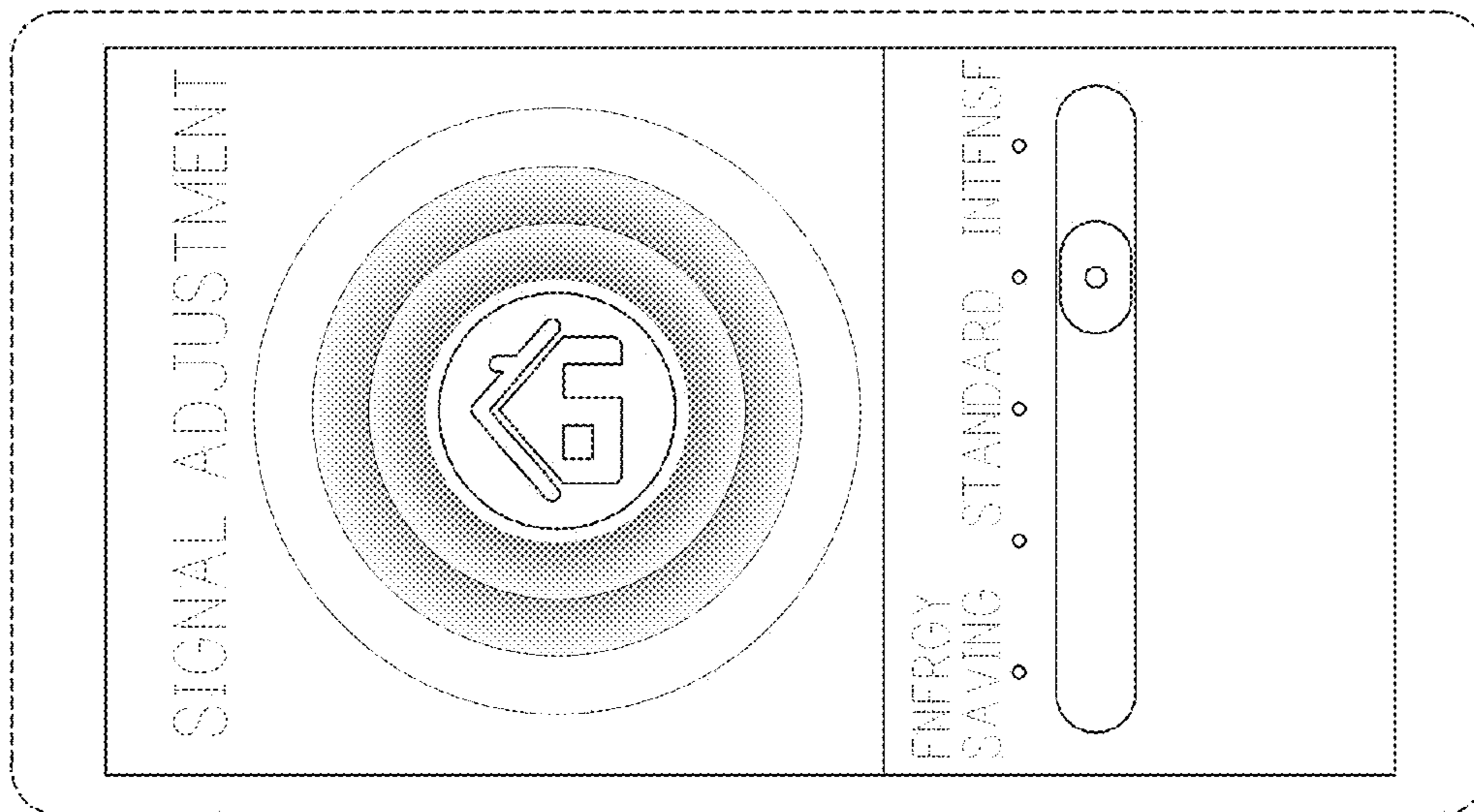


FIG. 4

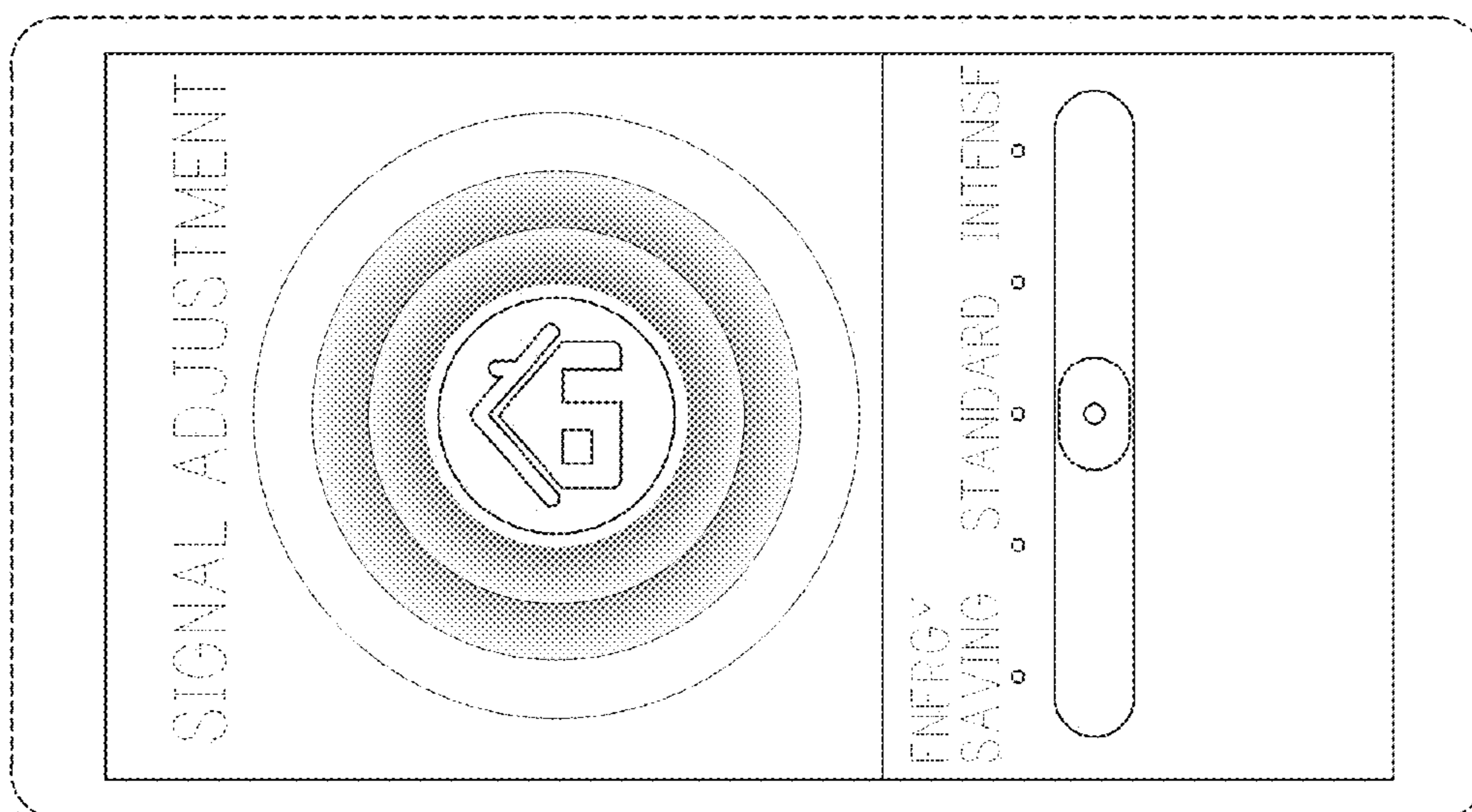


FIG. 3

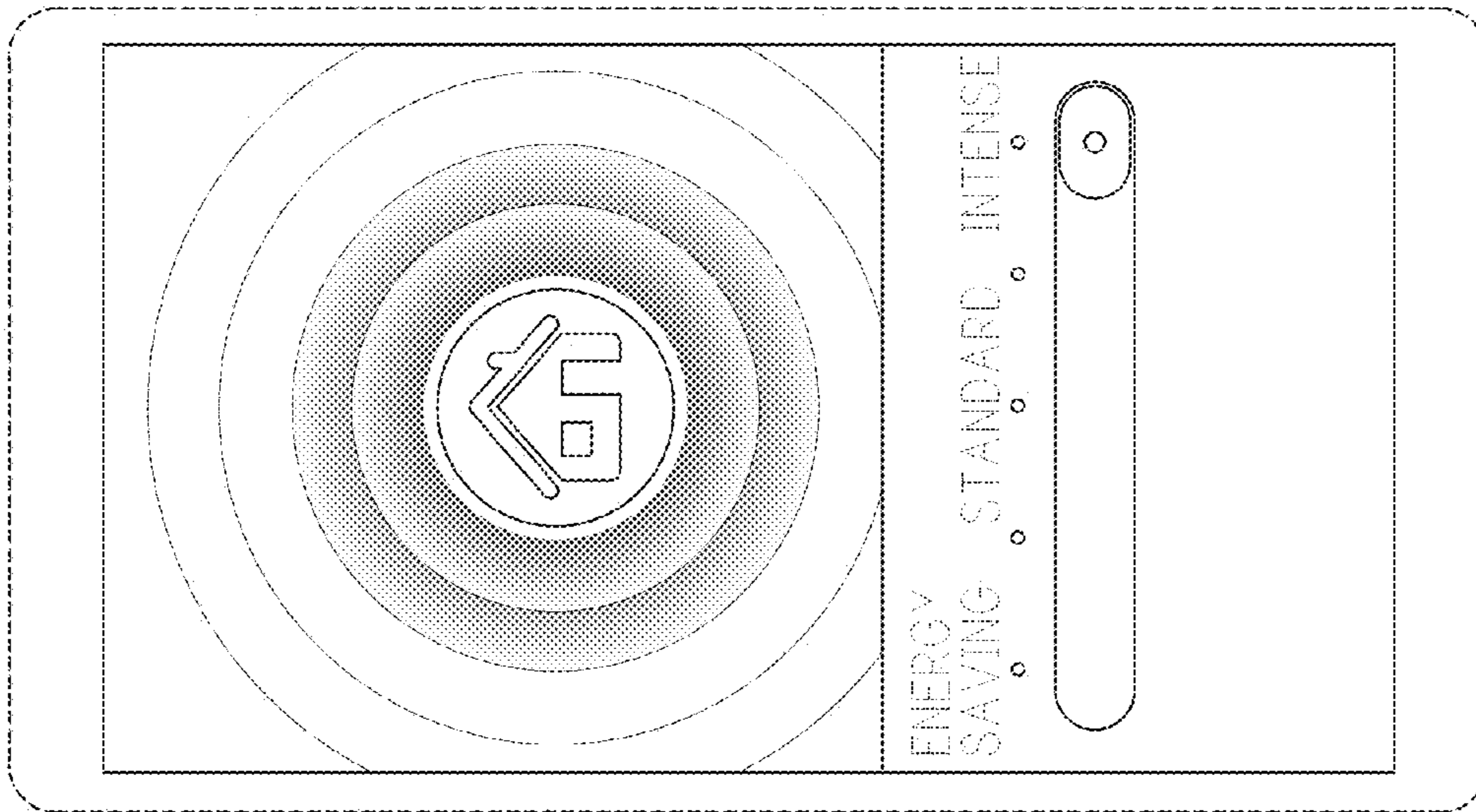


FIG. 5