

US00D763868S

(12) **United States Design Patent**  
**Lee et al.**

(10) **Patent No.:** **US D763,868 S**  
(45) **Date of Patent:** **\*\* Aug. 16, 2016**

(54) **DISPLAY SCREEN OR PORTION THEREOF WITH ANIMATED GRAPHICAL USER INTERFACE**

D693,831 S \* 11/2013 Edwards ..... D14/485  
D697,076 S \* 1/2014 Oda ..... D14/486  
D700,198 S \* 2/2014 Akcasu ..... D14/486  
D709,078 S \* 7/2014 Jonsson ..... D14/485

(71) Applicant: **Samsung Electronics Co., Ltd.**,  
Suwon-Si, Gyeonggi-Do (KR)

(Continued)

(72) Inventors: **Min Sun Lee**, Seoul (KR); **Olivia Lee**,  
Seoul (KR); **Han Chul Jung**,  
Seongnam-si (KR)

**OTHER PUBLICATIONS**

iOS 6: The iPad Clock app, posted date Sep. 19, 2012, engadget.com,  
Copyright © 2016, site visited Mar. 9, 2016, Available from Internet,  
<<http://www.engadget.com/2012/09/19/ios-6-the-ipad-clock-app/>>.\*

(73) Assignee: **Samsung Electronics Co., Ltd.**,  
Gyeonggi-Do (KR)

(Continued)

(\*\*) Term: **14 Years**

*Primary Examiner* — Karen E Kearney  
*Assistant Examiner* — Sharon S Oum

(21) Appl. No.: **29/498,925**

(74) *Attorney, Agent, or Firm* — Harness, Dickey & Pierce,  
P.L.C.

(22) Filed: **Aug. 8, 2014**

(30) **Foreign Application Priority Data**

Feb. 11, 2014 (KR) ..... 30-2014-0006885

(51) **LOC (10) Cl.** ..... **14-04**

(52) **U.S. Cl.**  
USPC ..... **D14/485**

(58) **Field of Classification Search**  
USPC ..... D14/485-495  
CPC ..... G06F 3/04847; G06Q 10/063114;  
H04N 1/00477; G11B 27/34  
See application file for complete search history.

(57) **CLAIM**

The ornamental design for a display screen or portion thereof with animated graphical user interface, as shown and described.

(56) **References Cited**

**U.S. PATENT DOCUMENTS**

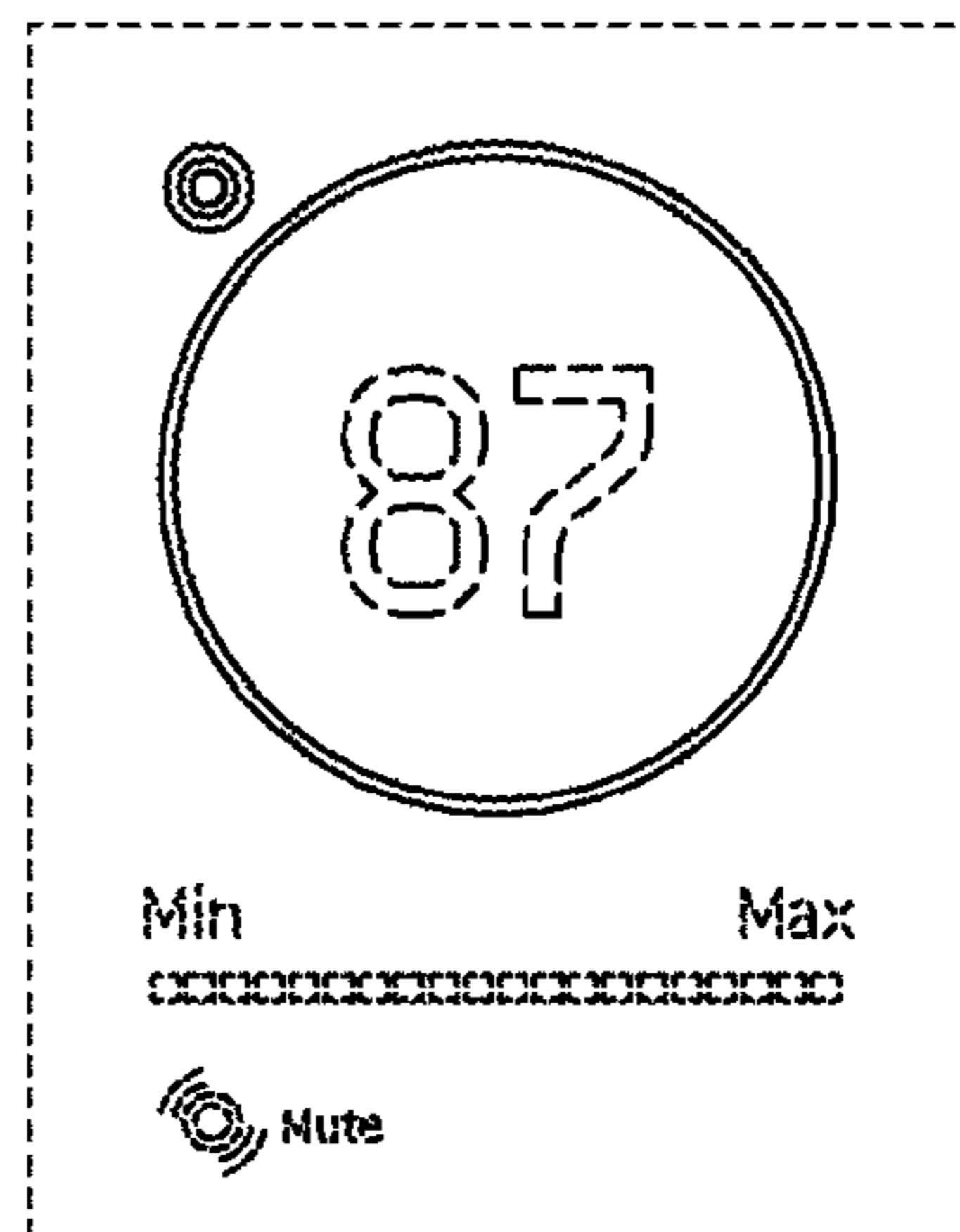
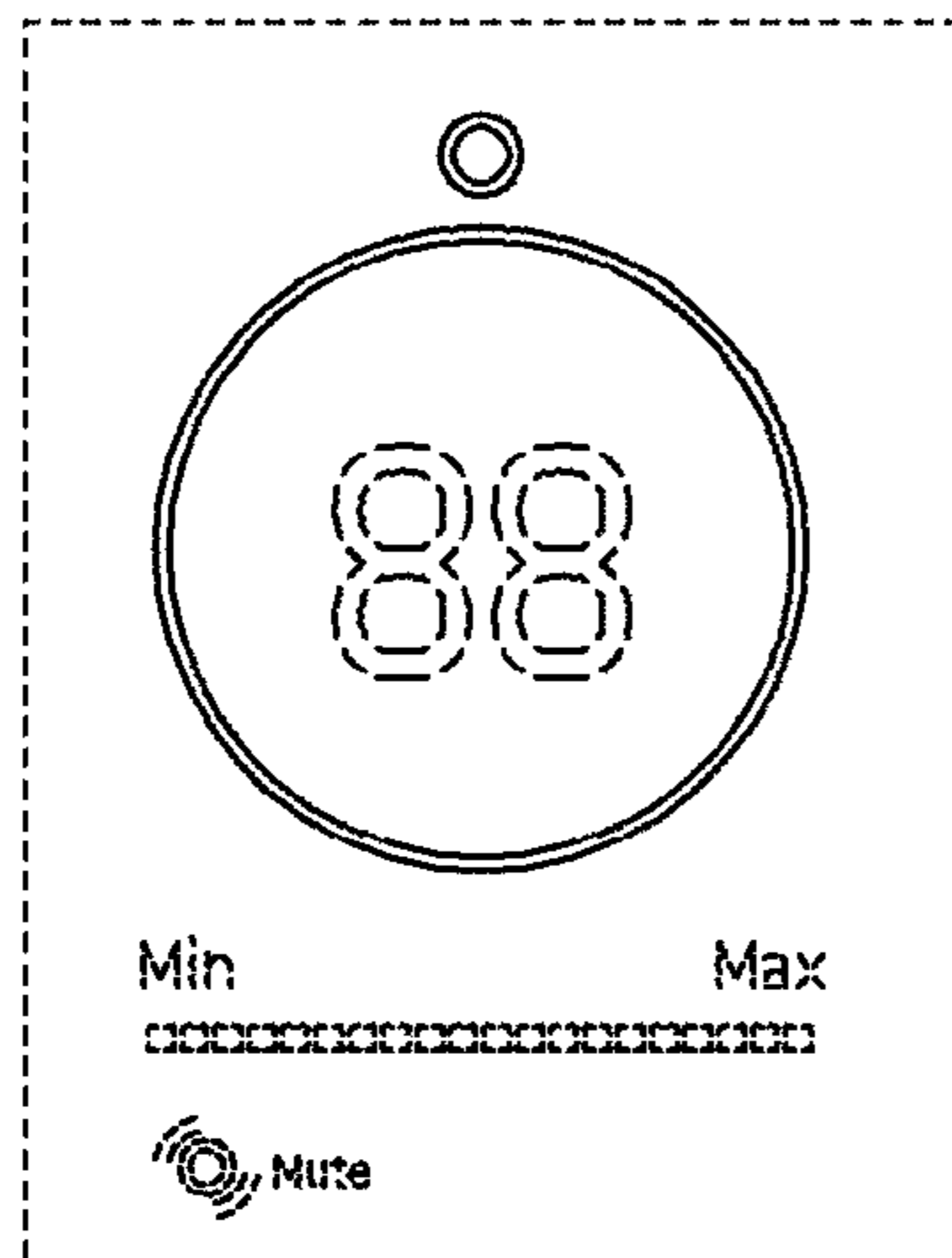
D392,632 S \* 3/1998 Spiegel ..... D10/125  
D550,227 S \* 9/2007 Sato ..... D14/485  
D593,107 S \* 5/2009 Shimoda ..... D14/485  
D626,131 S \* 10/2010 Kruzeniski ..... D14/485  
D645,470 S \* 9/2011 Matas ..... D14/489  
D650,793 S \* 12/2011 Impas ..... D14/489  
D659,704 S \* 5/2012 Sharma ..... D14/486  
D687,047 S \* 7/2013 Hales, IV ..... D14/485  
D687,851 S \* 8/2013 Sloo ..... D14/487

**DESCRIPTION**

FIG. 1 is the first image in a sequence for a display screen or portion thereof with animated graphical user interface showing our new design;  
FIG. 2 is the second image thereof;  
FIG. 3 is the third image thereof;  
FIG. 4 is the fourth image thereof;  
FIG. 5 is the fifth image thereof; and,  
FIG. 6 is the sixth image thereof.

The outermost broken line showing the display screen and all other broken lines showing portions of the animated graphical user interface are included for the purpose of illustrating portions of the article and form no part of the claimed design. The appearance of the animated user interface sequentially transitions between the images shown in FIGS. 1-6. The process or period in which one image transitions to another forms no part of the claimed design.

**1 Claim, 6 Drawing Sheets**



(56)

References Cited

OTHER PUBLICATIONS

U.S. PATENT DOCUMENTS

D710,367 S \* 8/2014 Quattrocchi ..... D14/485  
D712,422 S \* 9/2014 Anzures ..... D14/486  
D726,221 S \* 4/2015 Gomez ..... D14/492  
D737,278 S \* 8/2015 Shin ..... D14/485  
D740,300 S \* 10/2015 Lee ..... D14/485  
D741,890 S \* 10/2015 Chaudhri ..... D14/486  
2010/0194763 A1\* 8/2010 Niles ..... G06T 13/20  
345/474  
2013/0235704 A1\* 9/2013 Grinberg ..... G04G 21/08  
368/69  
2015/0205455 A1\* 7/2015 Shaw ..... G06F 3/0482  
715/834

Radar icon, posted date Apr. 14, 2013, dribble.com, Copyright ©  
2009-2016, site visited Mar. 9, 2016, Available from Internet,  
<<https://dribbble.com/shots/1028330-Radar-icon>>.\*  
Dial—YUI Library, posted date Jan. 13, 2011, yuilibrary.com, site  
visited Mar. 9, 2016, Available from Internet, <[http://yuilibrary.com/  
yui/docs/dial/](http://yuilibrary.com/yui/docs/dial/)>.\*

\* cited by examiner

Fig. 1

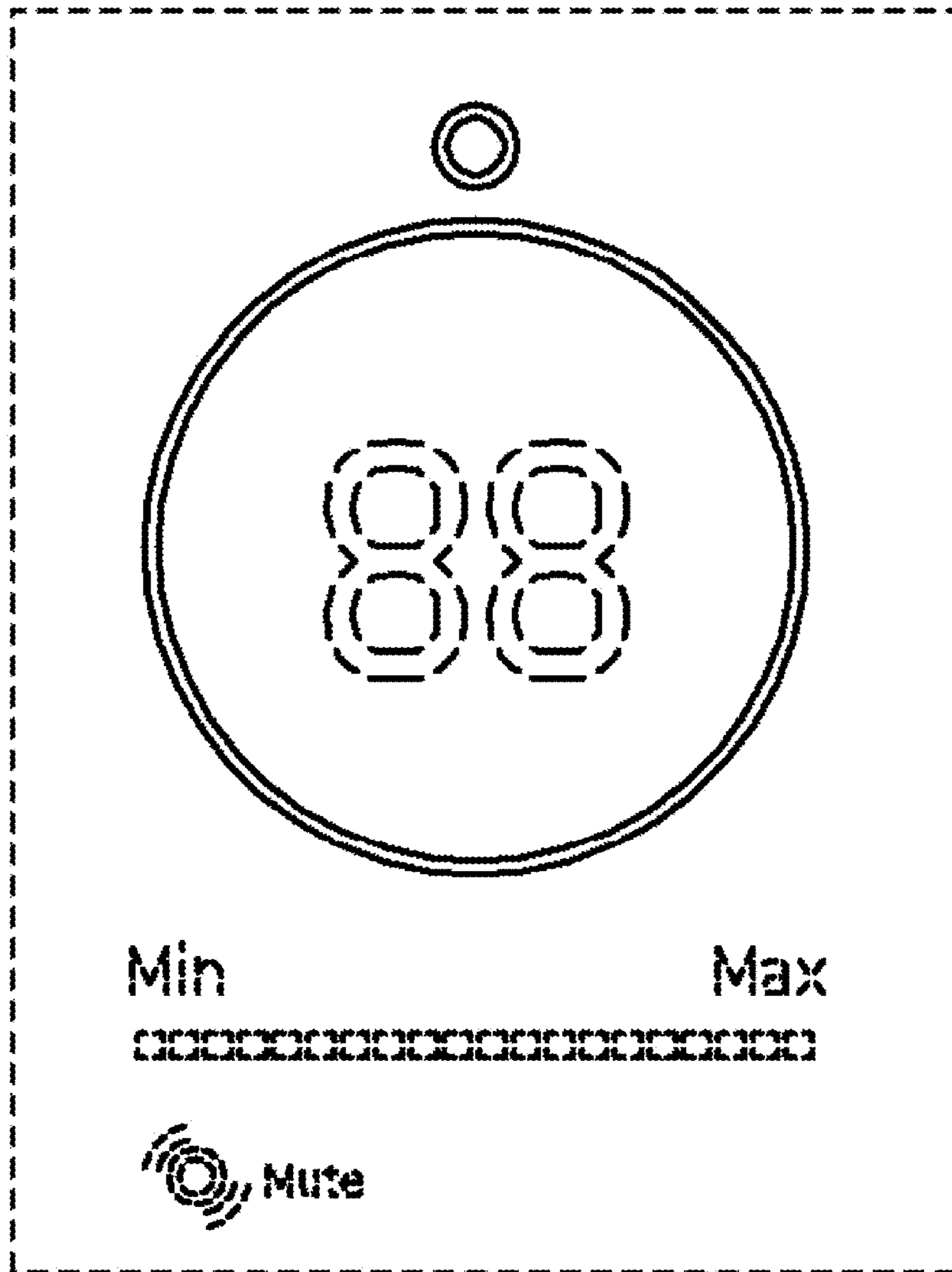


Fig. 2

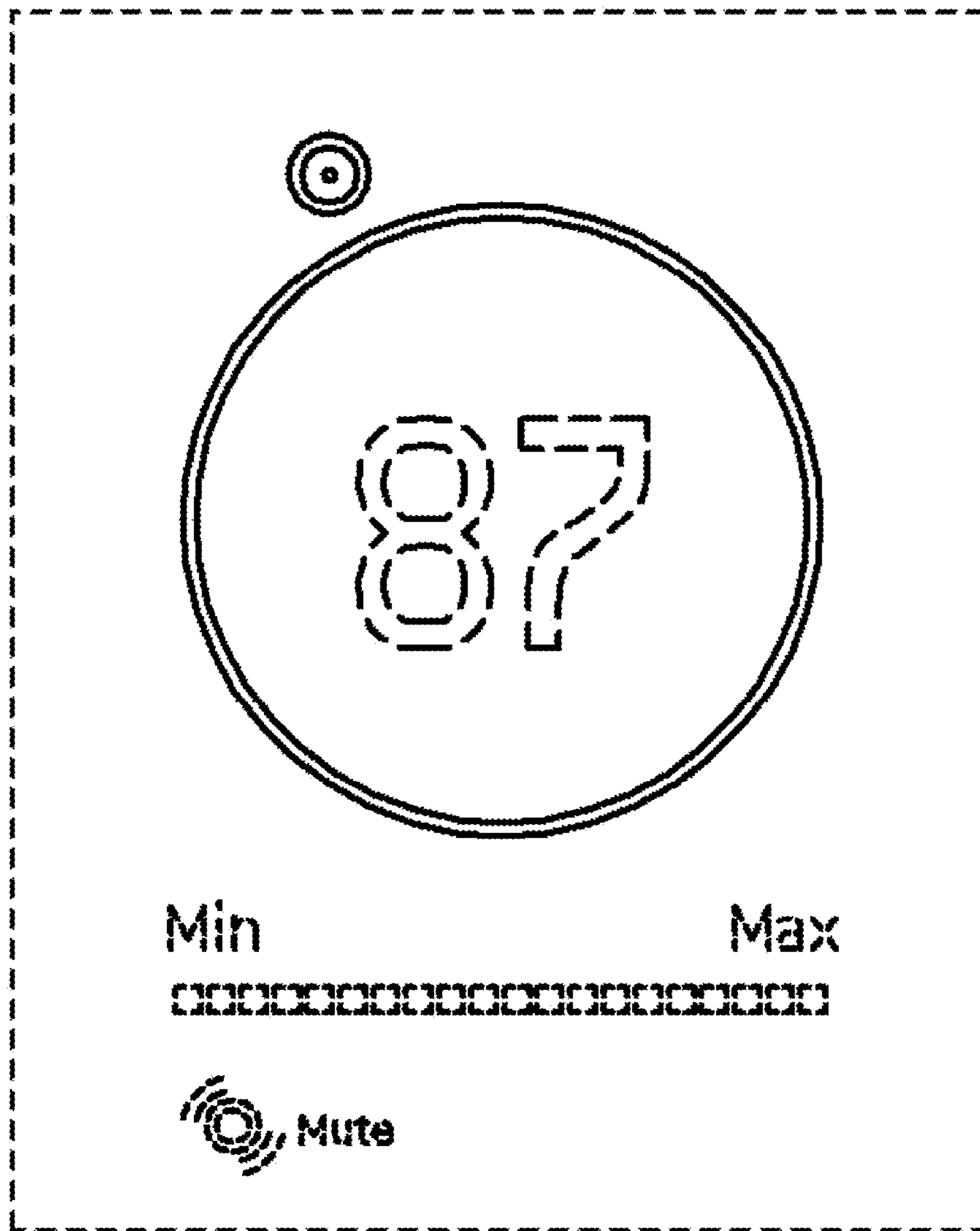


Fig. 3

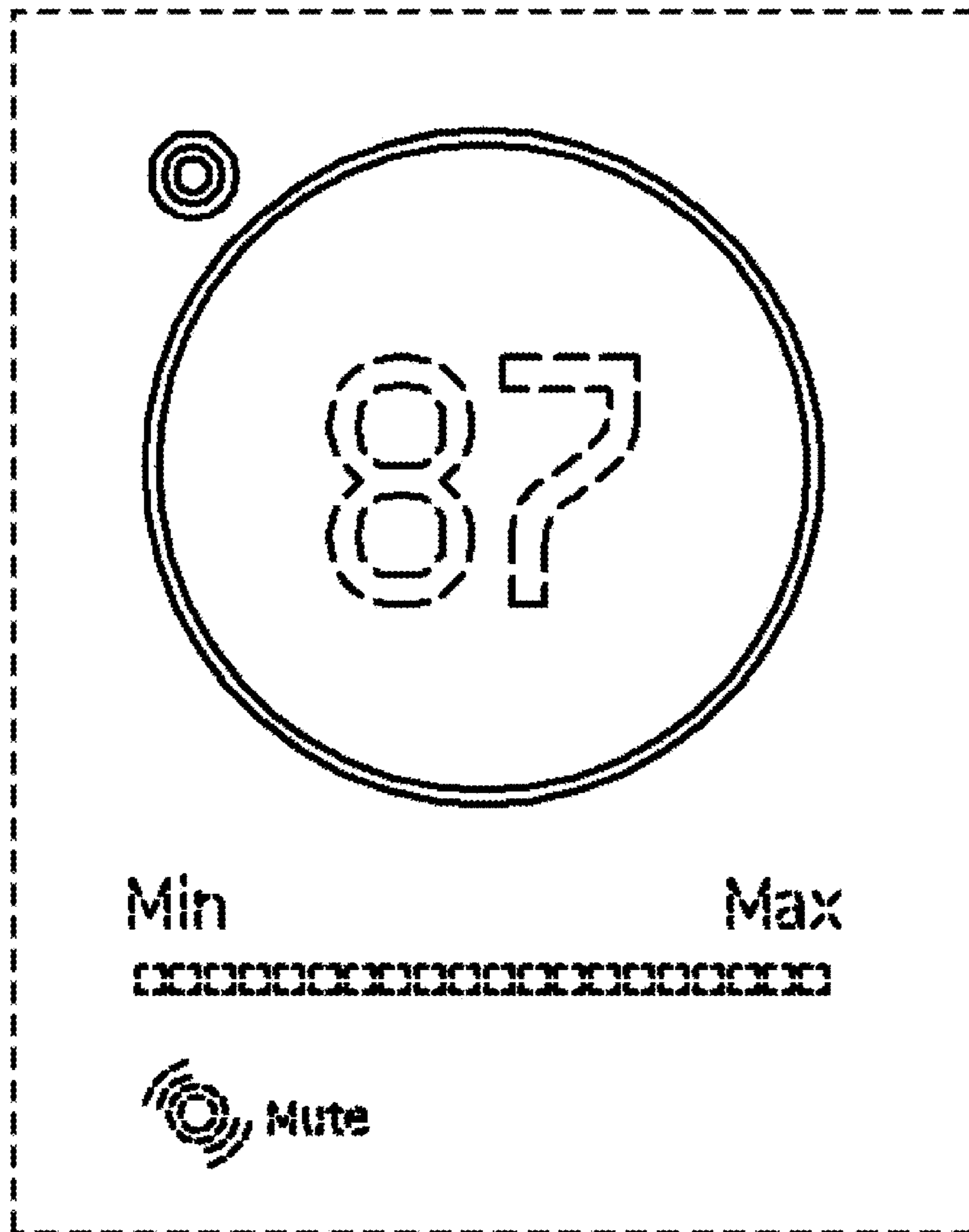


Fig. 4

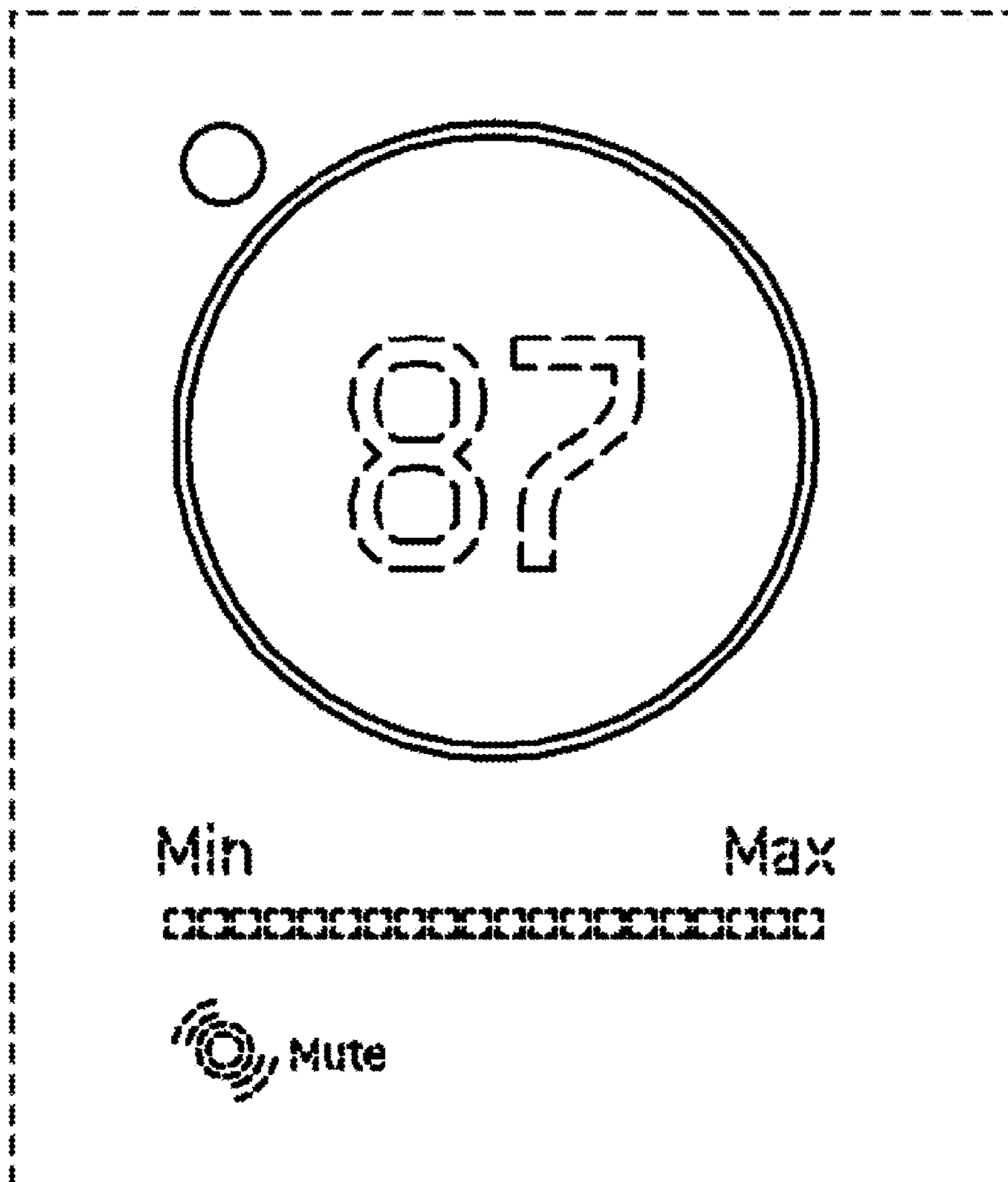


Fig. 5

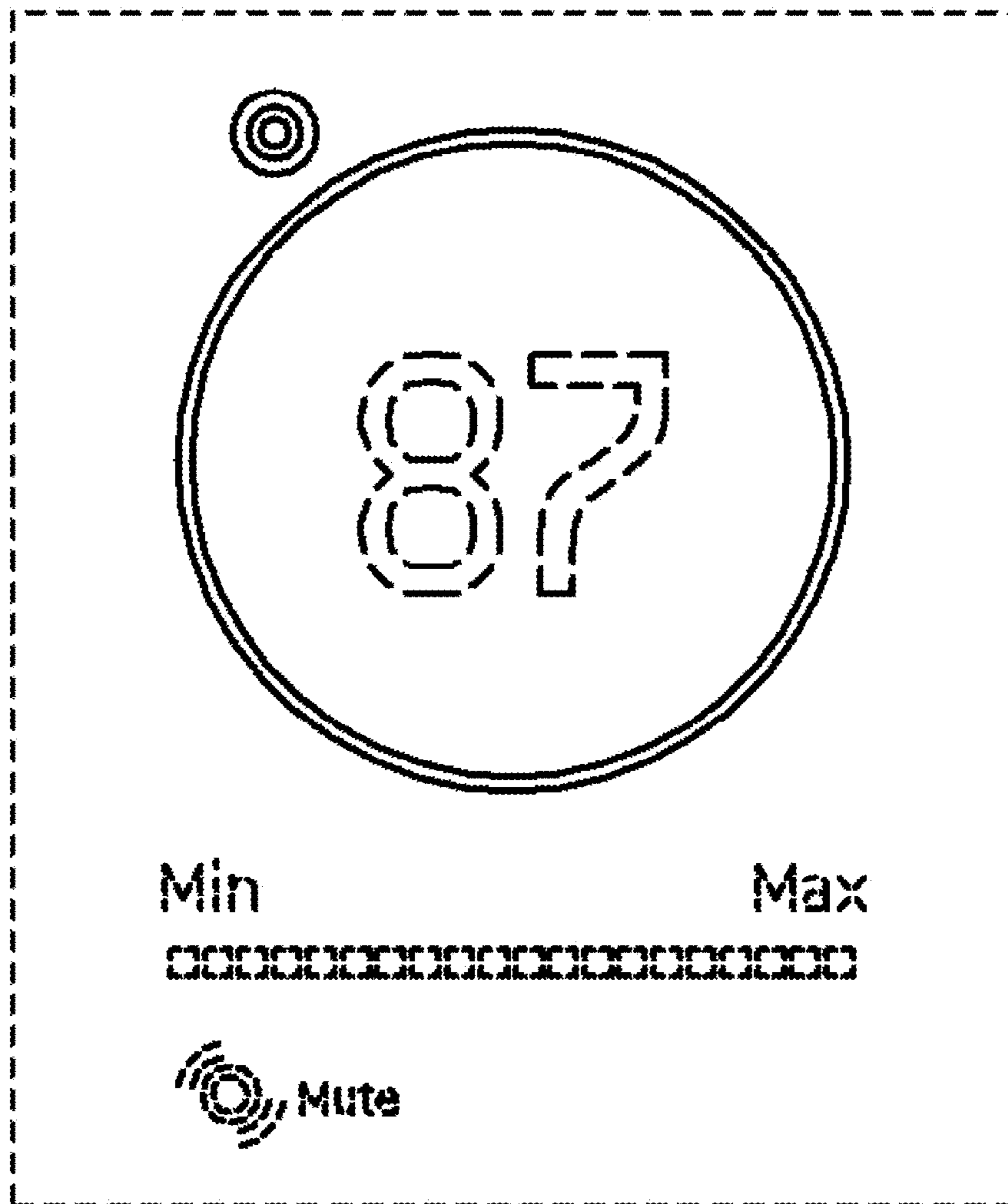


Fig. 6

