



US00D763857S

(12) **United States Design Patent**
Dang et al.

(10) **Patent No.:** **US D763,857 S**
(45) **Date of Patent:** **** Aug. 16, 2016**

- (54) **ELECTRONIC DEVICE SHELL**
- (71) Applicant: **BlackBerry Limited**, Waterloo (CA)
- (72) Inventors: **Christopher Duy-Liem Dang**, Montreal (CA); **Di Tao**, Toronto (CA); **Leonardo Aldana**, Waterloo (CA)
- (73) Assignee: **BlackBerry Limited**, Waterloo, Ontario (CA)
- (**) Term: **15 Years**
- (21) Appl. No.: **29/533,428**
- (22) Filed: **Jul. 17, 2015**
- (51) **LOC (10) Cl.** **14-02**
- (52) **U.S. Cl.**
USPC **D14/440**
- (58) **Field of Classification Search**
USPC D14/250, 440, 447; 206/45.23, 320,
206/45.2; 361/679.55; 294/25; 224/218; 1/1
CPC ... G06F 1/1628; G06F 1/1613; G06F 1/1626;
A47B 23/044
See application file for complete search history.

(56) **References Cited**

U.S. PATENT DOCUMENTS

1,189,531	A *	7/1916	Bierwirth	B65D 5/5206 206/45.24
2,444,369	A *	6/1948	Rentos	A24F 15/18 206/265
4,905,821	A *	3/1990	Corbett	A47G 1/12 206/45.24
D583,572	S *	12/2008	Zhai	D14/371
8,016,107	B2 *	9/2011	Emsky	A45C 11/00 206/320
D650,380	S *	12/2011	Ballout	D14/331
D663,294	S *	7/2012	Buxton	D14/250
8,243,428	B2 *	8/2012	Fu	F16M 11/10 248/917
D679,271	S *	4/2013	Liu	D13/103
8,522,965	B1 *	9/2013	Hsiung	B65D 25/24 206/320

D697,508	S *	1/2014	Hsu	D14/345
8,636,183	B1 *	1/2014	Steiner	B60R 11/02 224/483
8,783,458	B2 *	7/2014	Gallagher	F16M 11/105 206/320
8,797,132	B2 *	8/2014	Childs	A45C 11/00 206/320
8,820,525	B1 *	9/2014	Zanxiang	F16M 11/10 206/320
D718,771	S *	12/2014	Huang	D14/447
D718,772	S *	12/2014	Westrup	D14/447
D719,169	S *	12/2014	McBroom	D14/440
D719,951	S *	12/2014	Fenton	D14/253
D732,543	S *	6/2015	Westrup	D14/447

Primary Examiner — Cynthia Underwood

(74) *Attorney, Agent, or Firm* — Jon Gibbons; Fleit Gibbons Gutman Bongini & Bianco P.L.

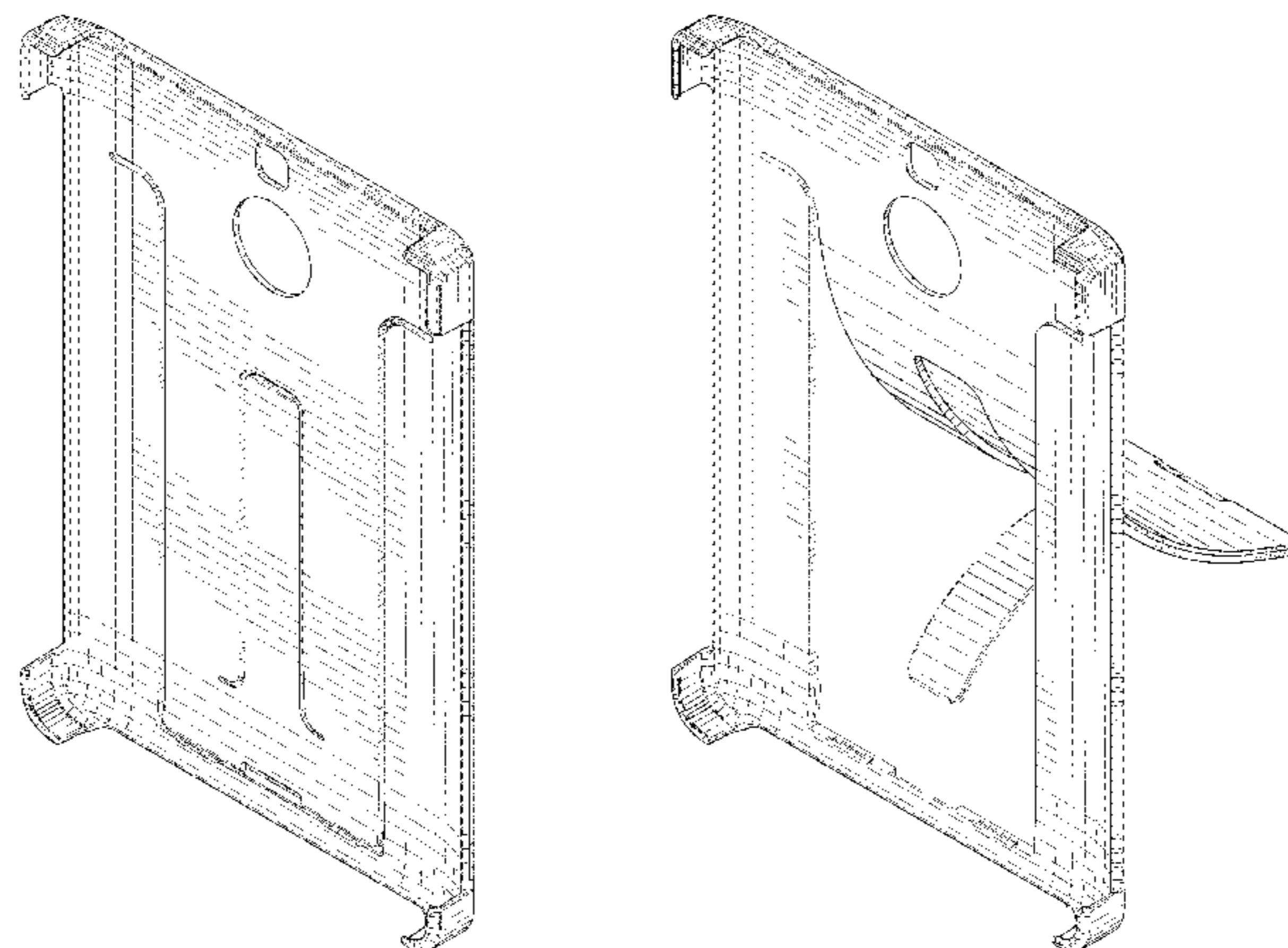
(57) **CLAIM**

The ornamental design for an electronic device shell, as shown and described.

DESCRIPTION

FIG. 1 is a first perspective view of the electronic device shell; FIG. 2 is a second perspective view thereof; FIG. 3 is a first elevational view thereof; FIG. 4 is a second elevational view thereof; FIG. 5 is a first side elevational view thereof; FIG. 6 is a second side elevational view thereof; FIG. 7 is a top plan view thereof; FIG. 8 is a bottom plan view thereof; FIG. 9 is a first perspective view of the electronic device shell in another configuration; FIG. 10 is a second perspective view thereof; FIG. 11 is a first elevational view thereof; FIG. 12 is a second elevational view thereof; FIG. 13 is a first side elevational view thereof; FIG. 14 is a second side elevational view thereof; FIG. 15 is a top plan view thereof; and, FIG. 16 is a bottom plan view thereof.

1 Claim, 13 Drawing Sheets



(56)

References Cited

U.S. PATENT DOCUMENTS

9,095,194 B2 *	8/2015	Hassett	A45C	11/00	2012/0106054 A1 *	5/2012	Royz	F16M	11/10
D749,594 S *	2/2016	Kim	D14/440						361/679.3	
D750,085 S *	2/2016	Hsu	D14/440		2012/0262897 A1 *	10/2012	Hsu	G06F	1/1616
2010/0294909 A1 *	11/2010	Hauser	B42D	9/00					361/807	
				248/456		2013/0214661 A1 *	8/2013	McBroom	G06F	1/1667
2011/0038119 A1 *	2/2011	Yeh	G06F	1/1637	2013/0313142 A1 *	11/2013	Wen	A45C	11/00
				361/679.27						206/320	
						2014/0029197 A1 *	1/2014	Hishinuma	G06F	1/1613
										361/679.55	

* cited by examiner

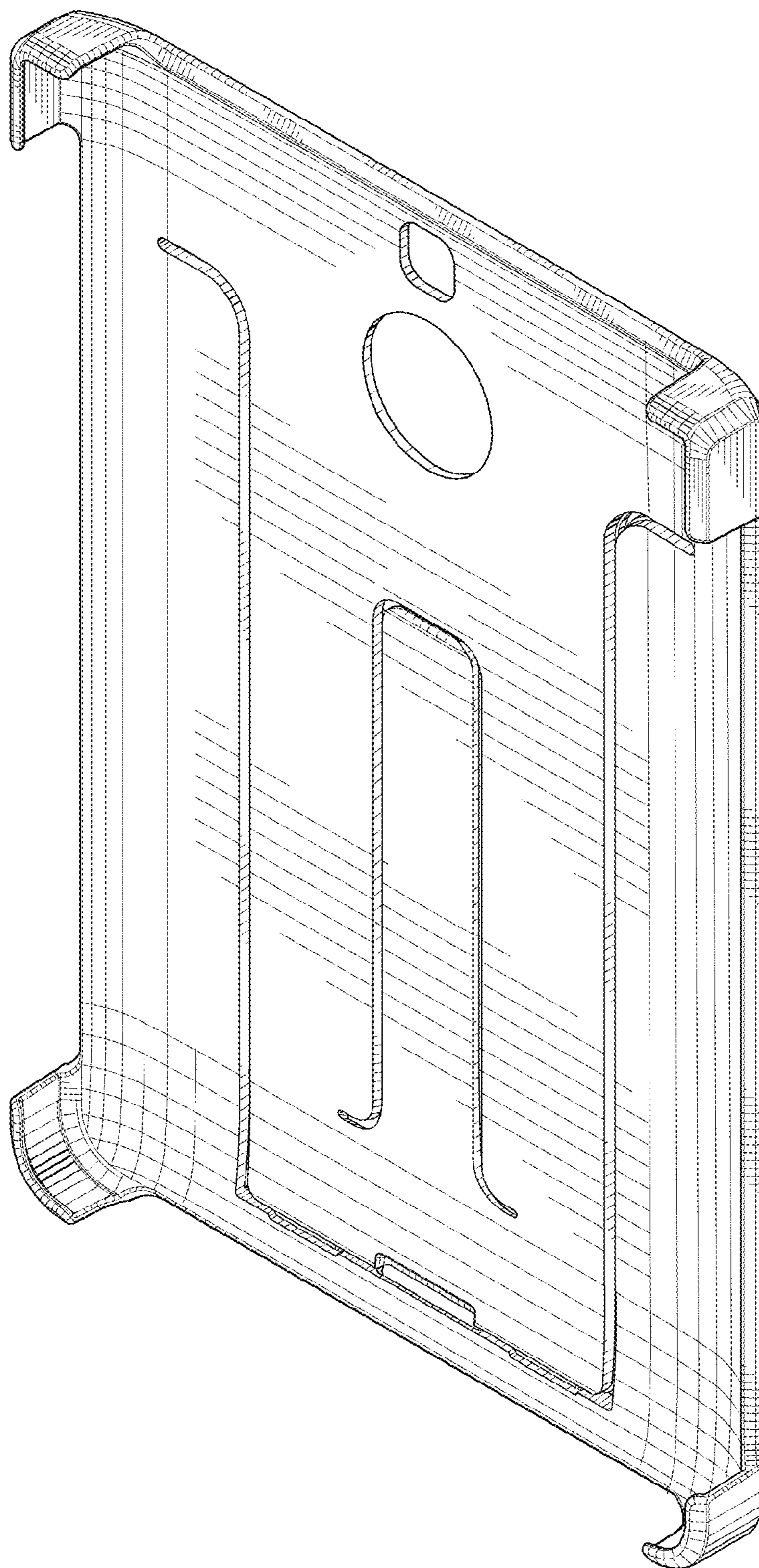


FIG.1

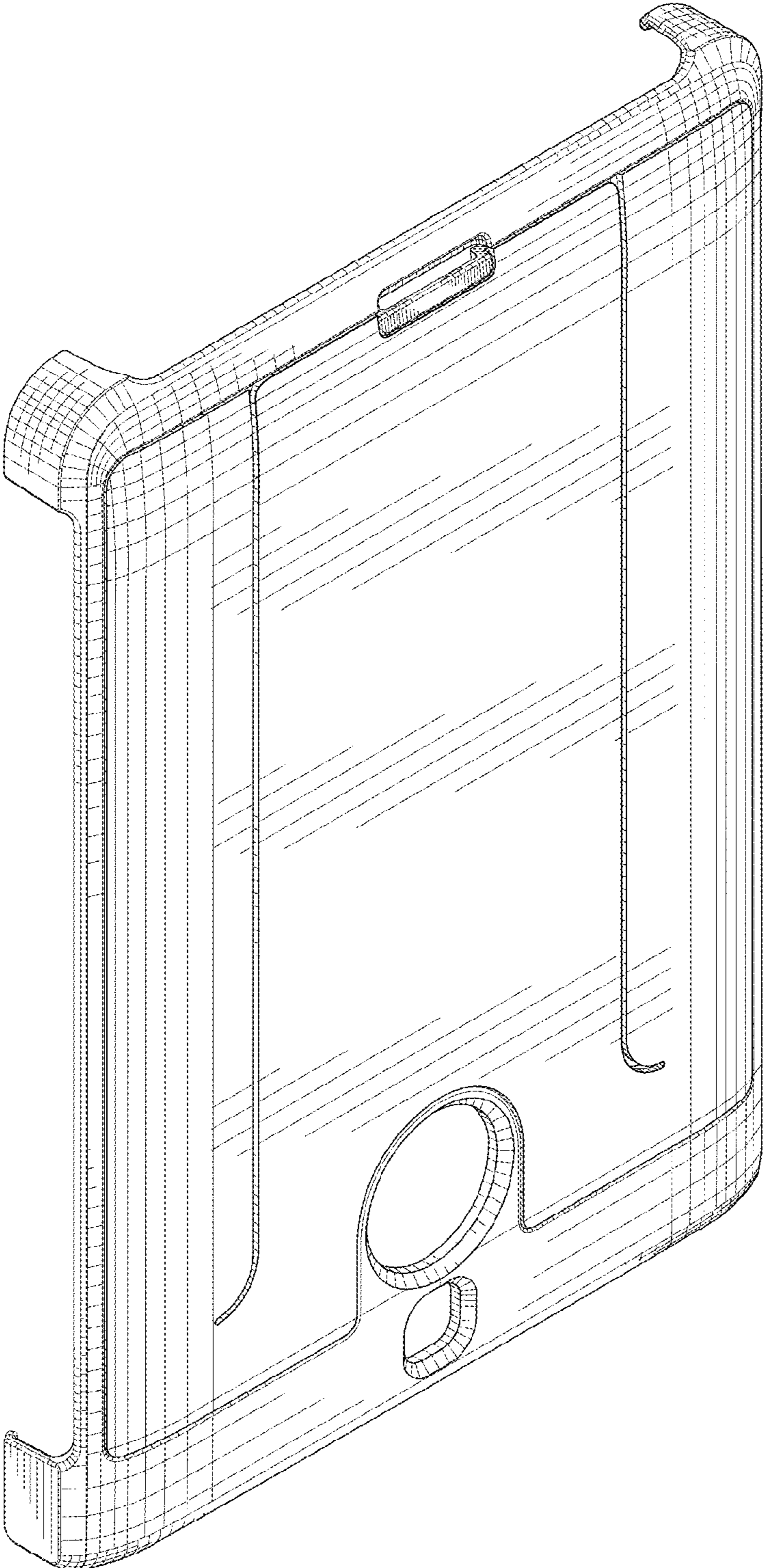


FIG.2

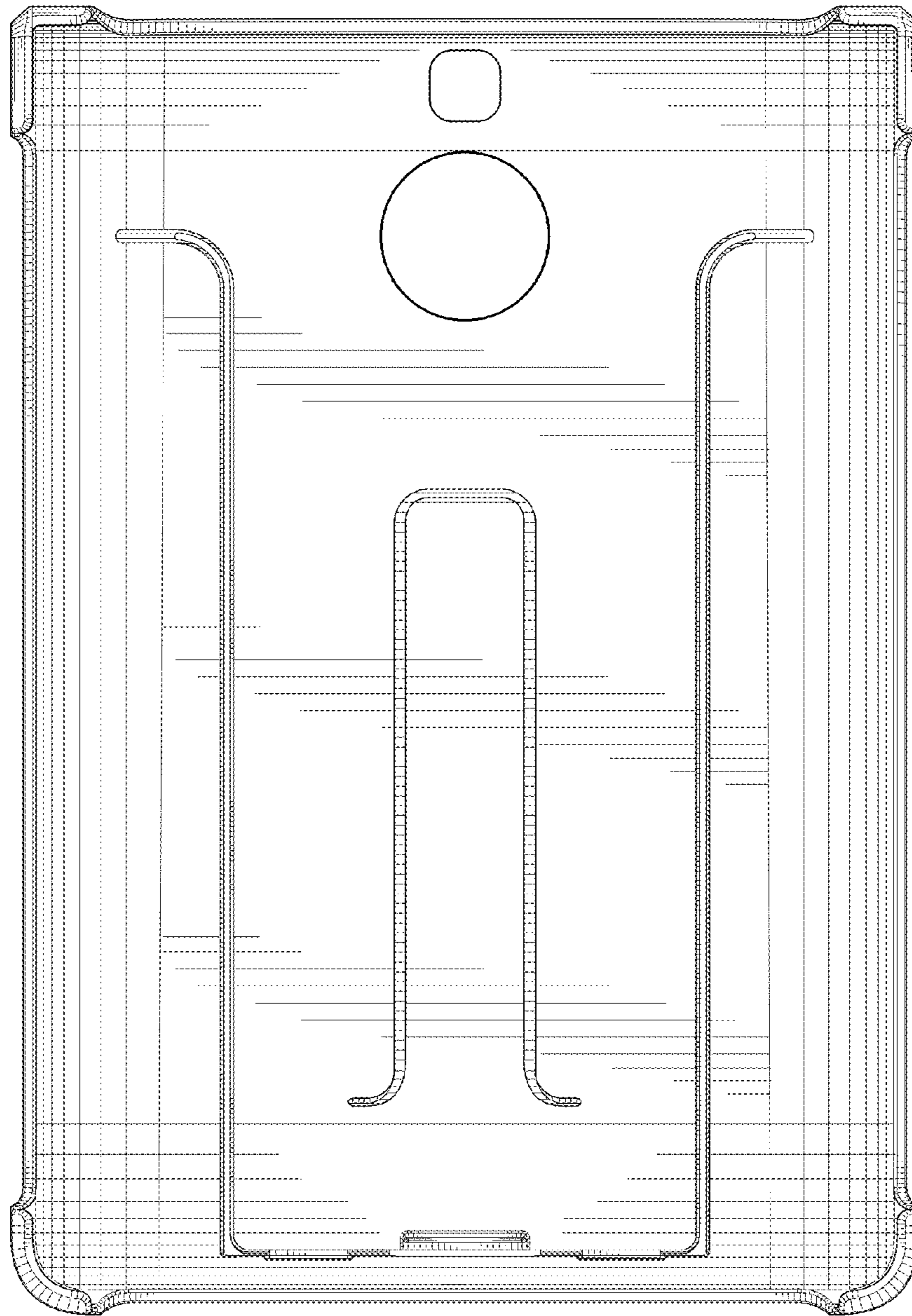


FIG.3

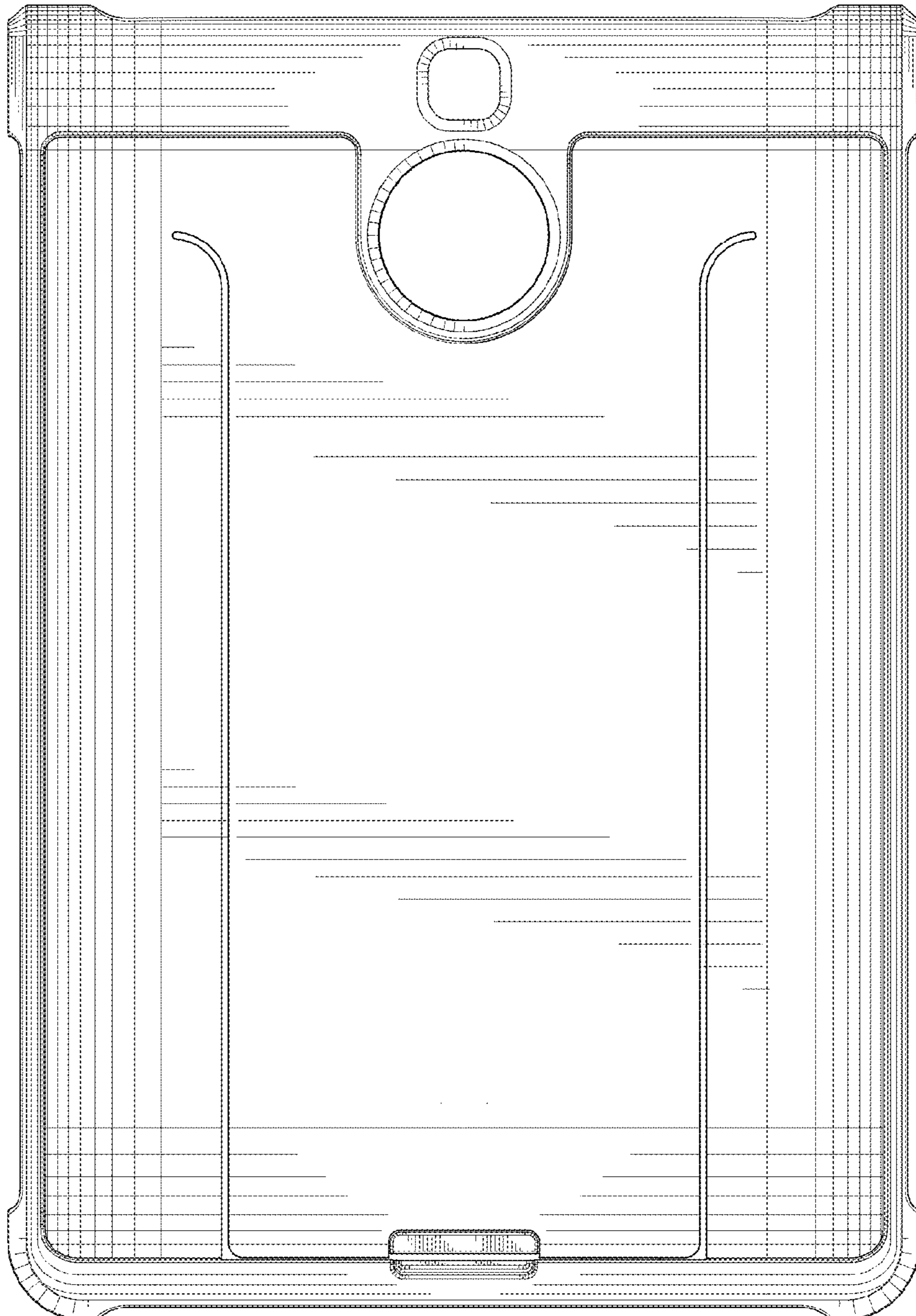


FIG.4

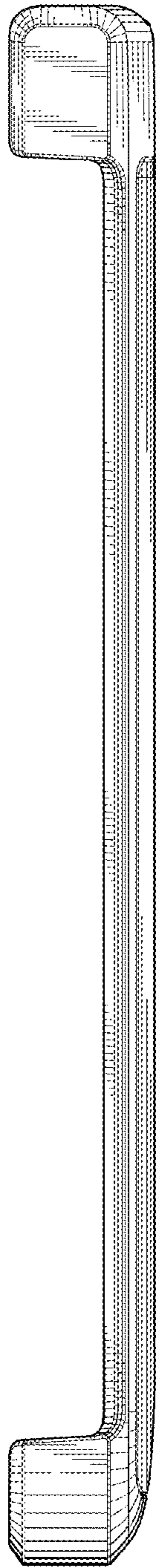


FIG. 5

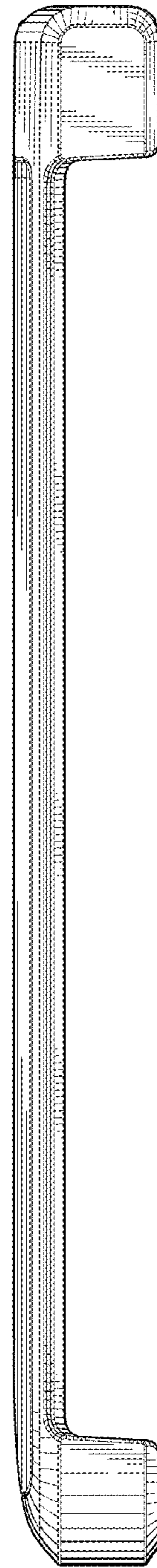


FIG. 6

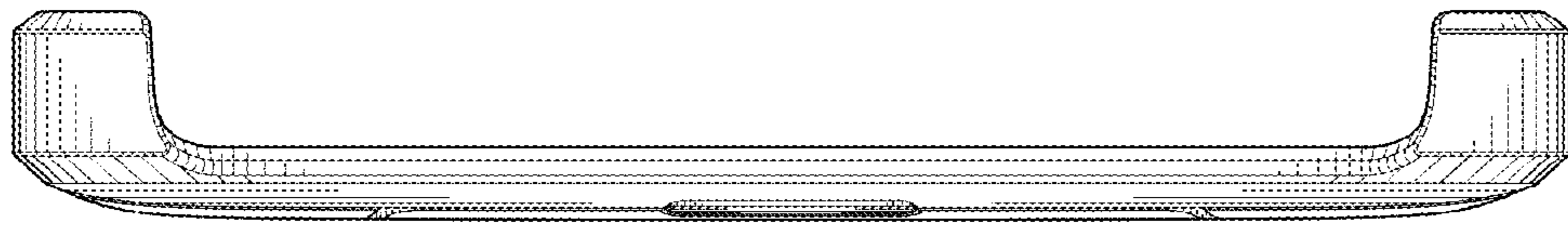


FIG. 7

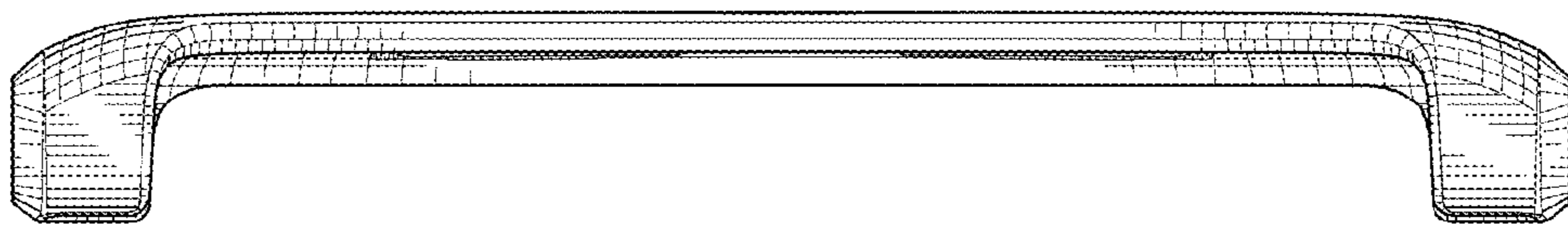


FIG. 8

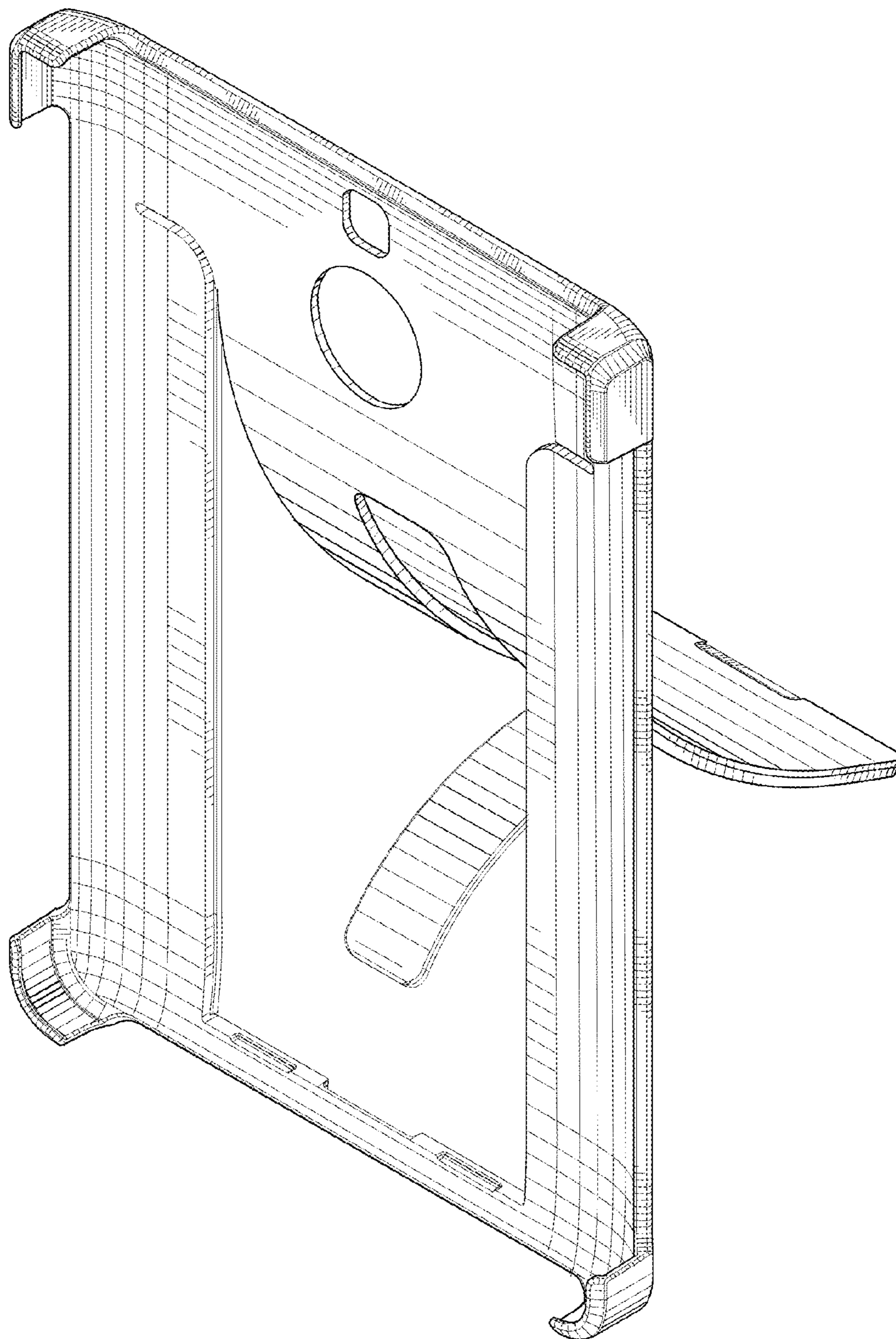


FIG.9

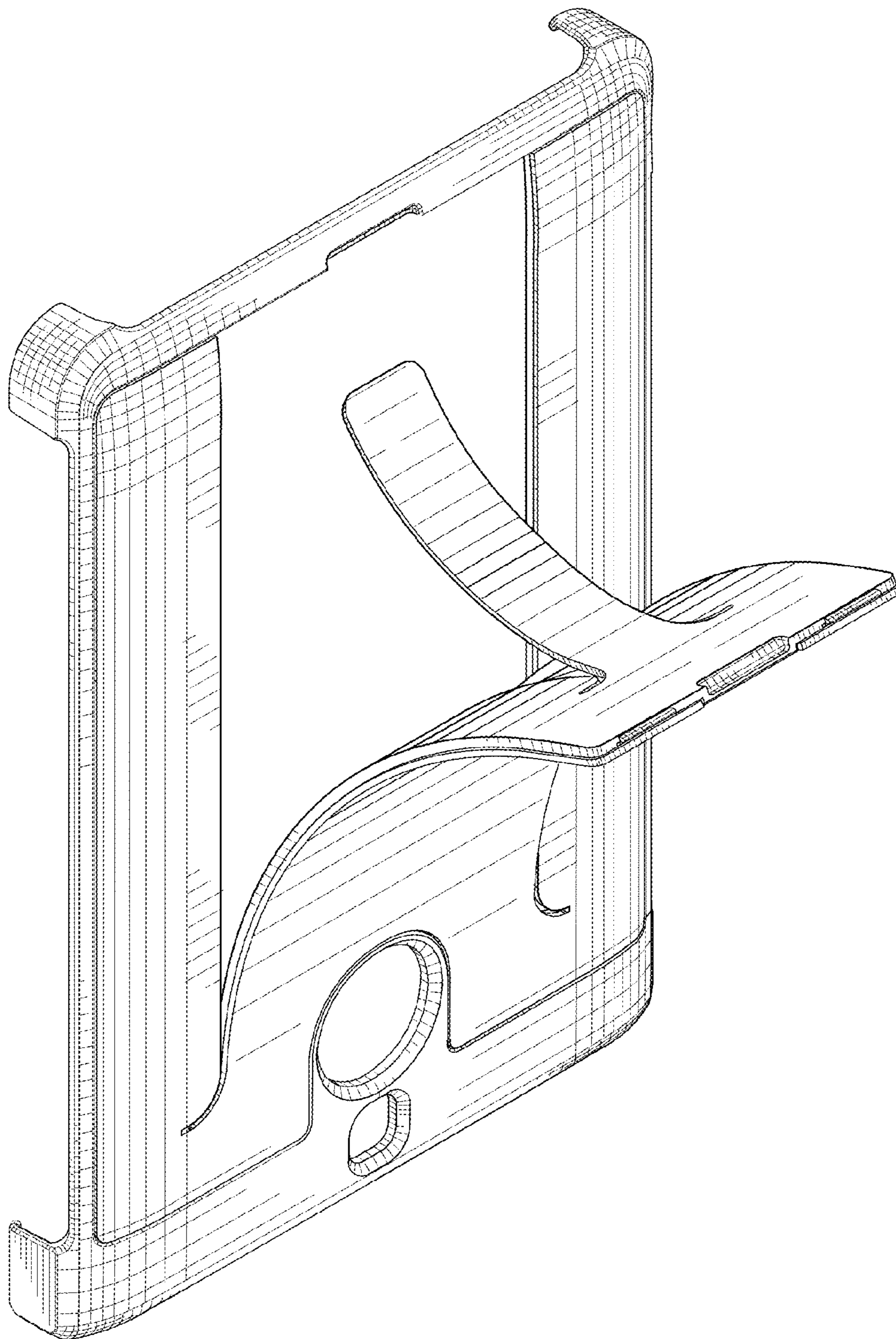


FIG.10

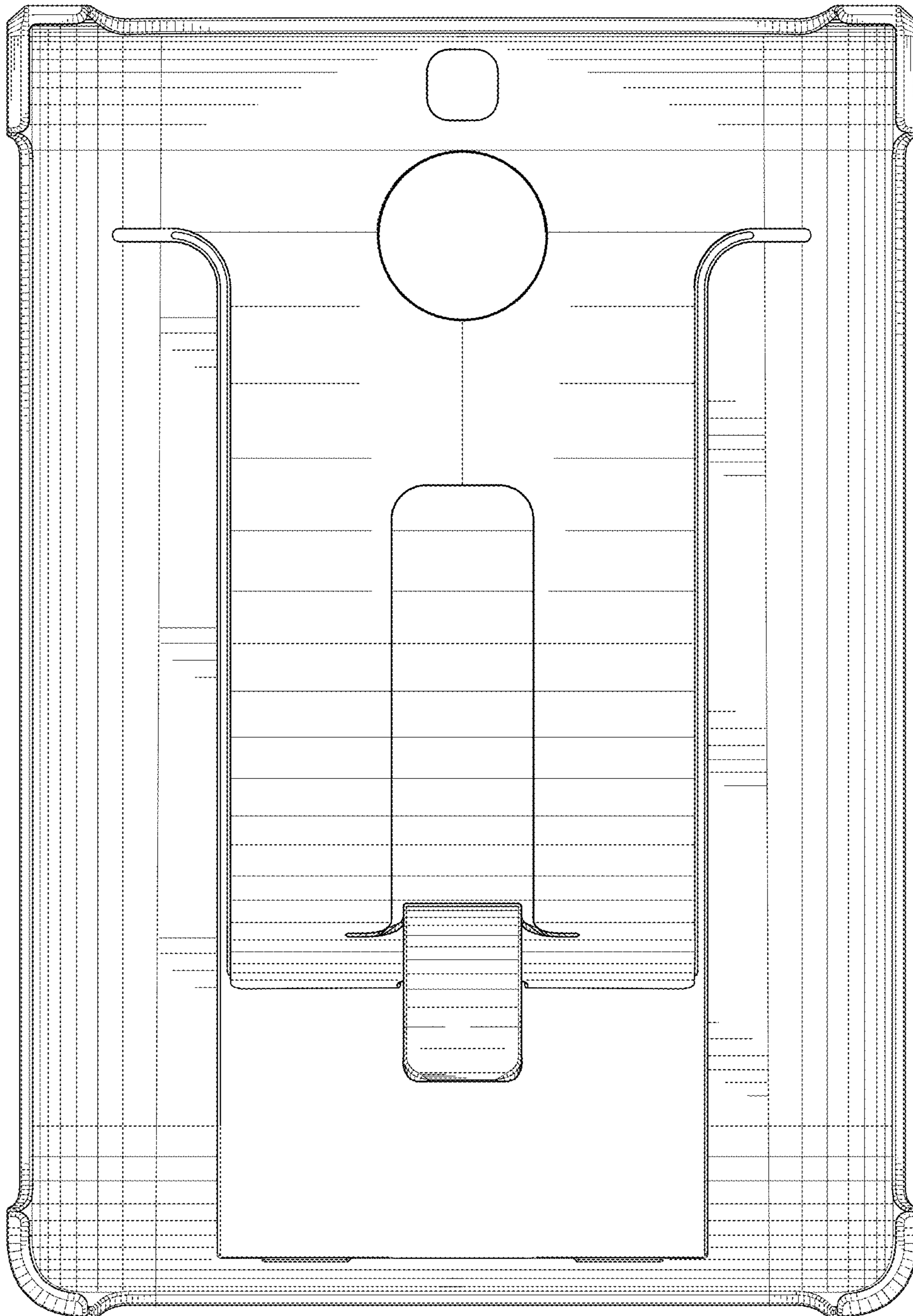


FIG.11

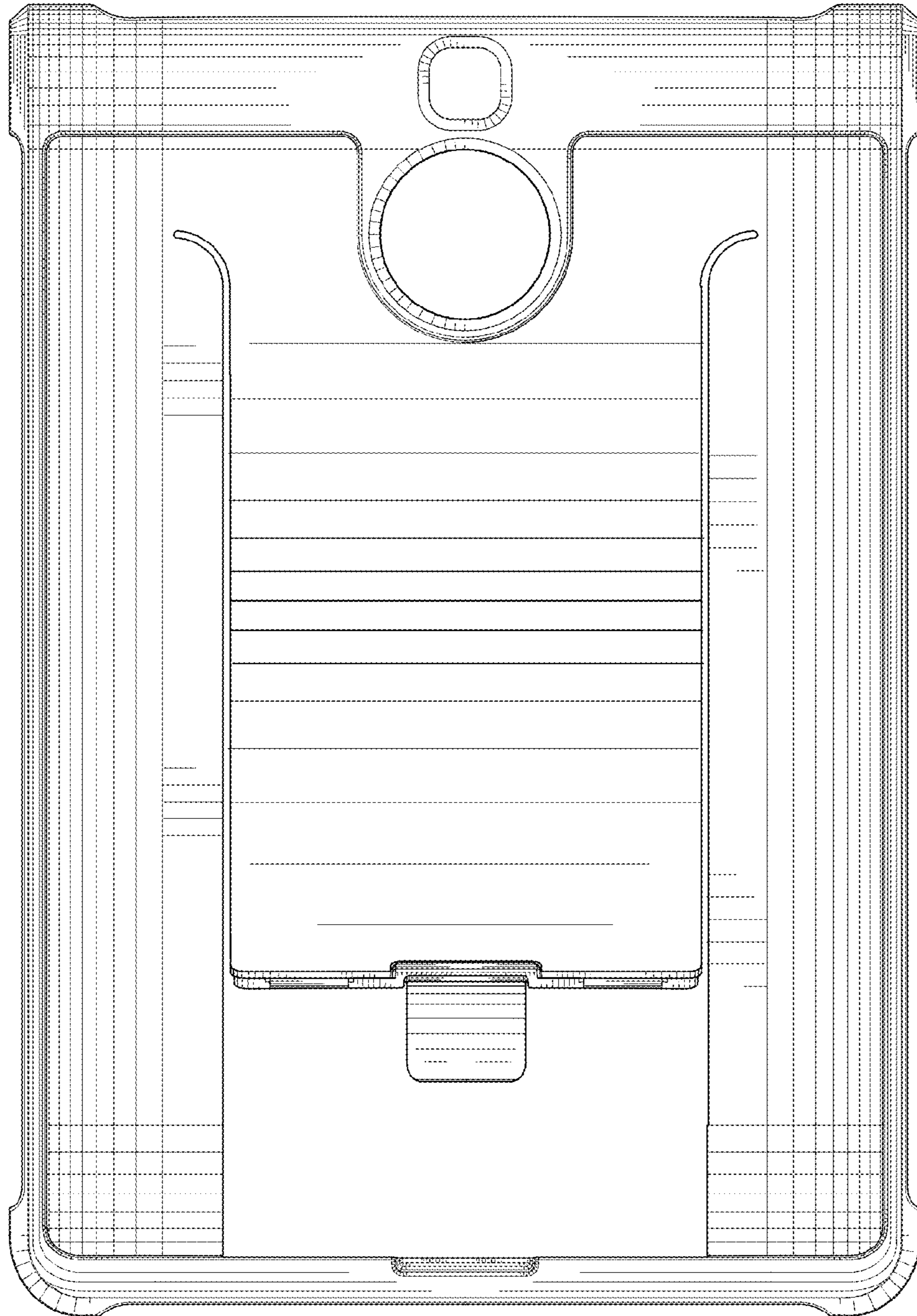


FIG.12

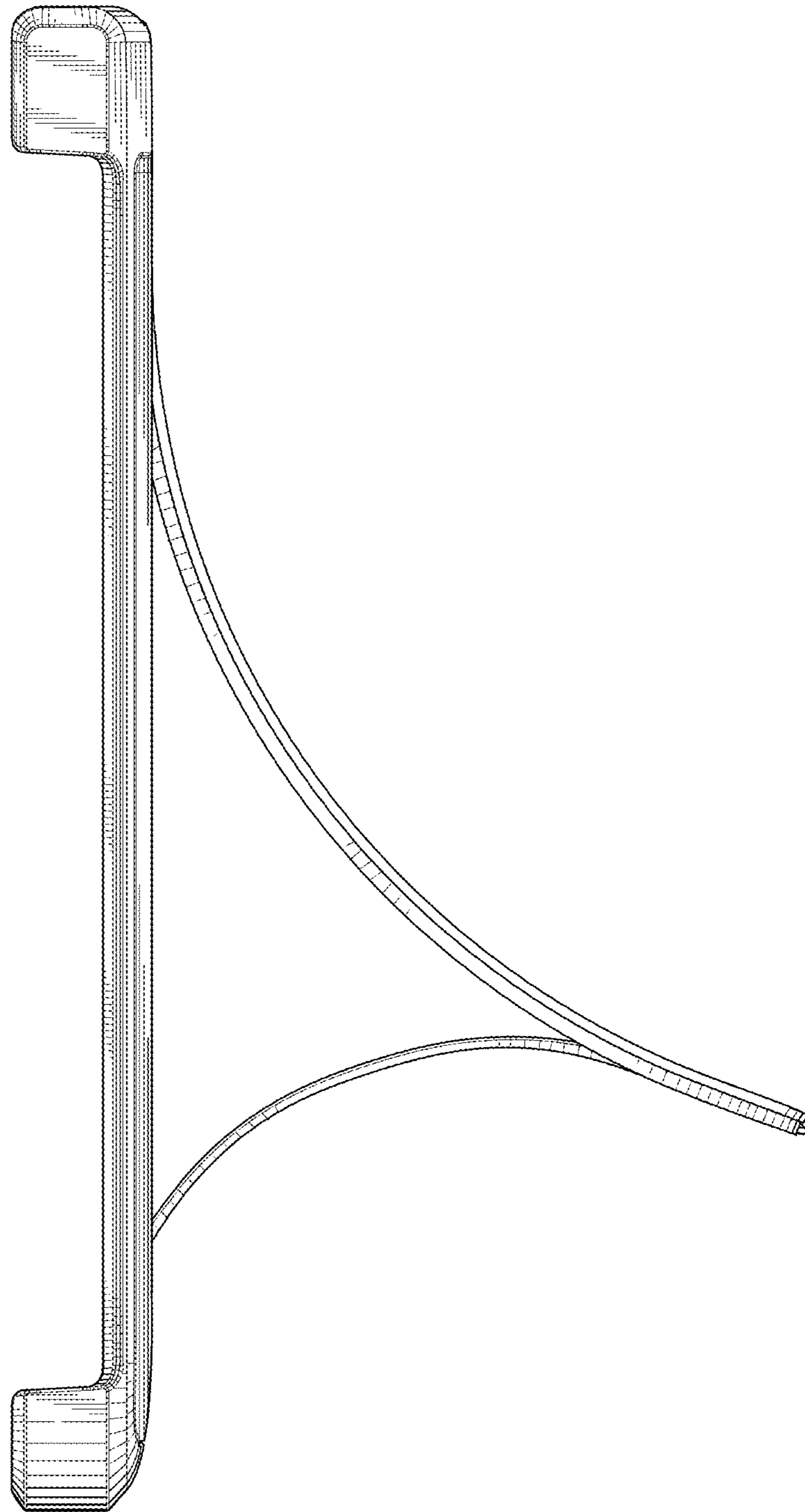


FIG. 13

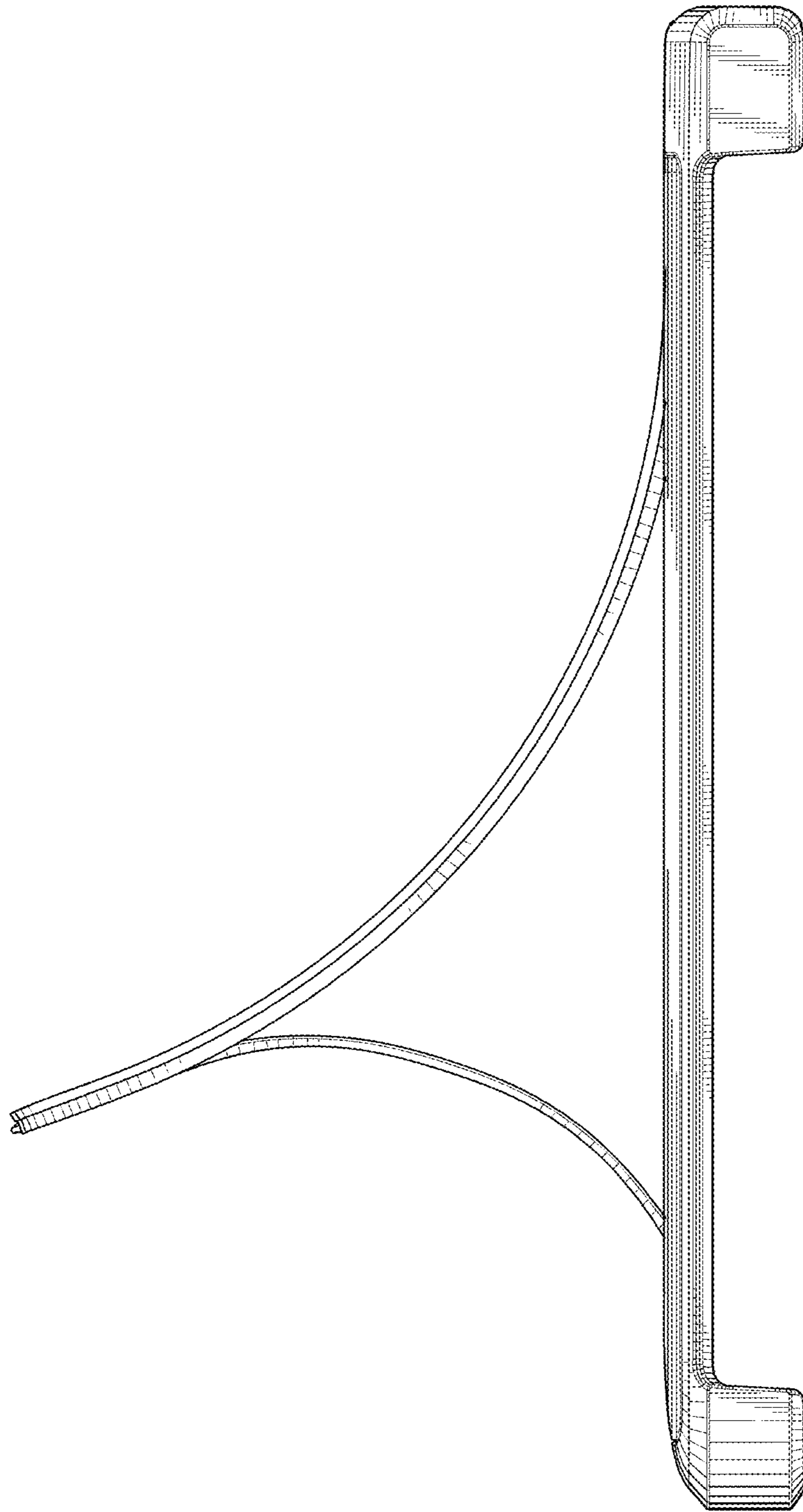


FIG.14

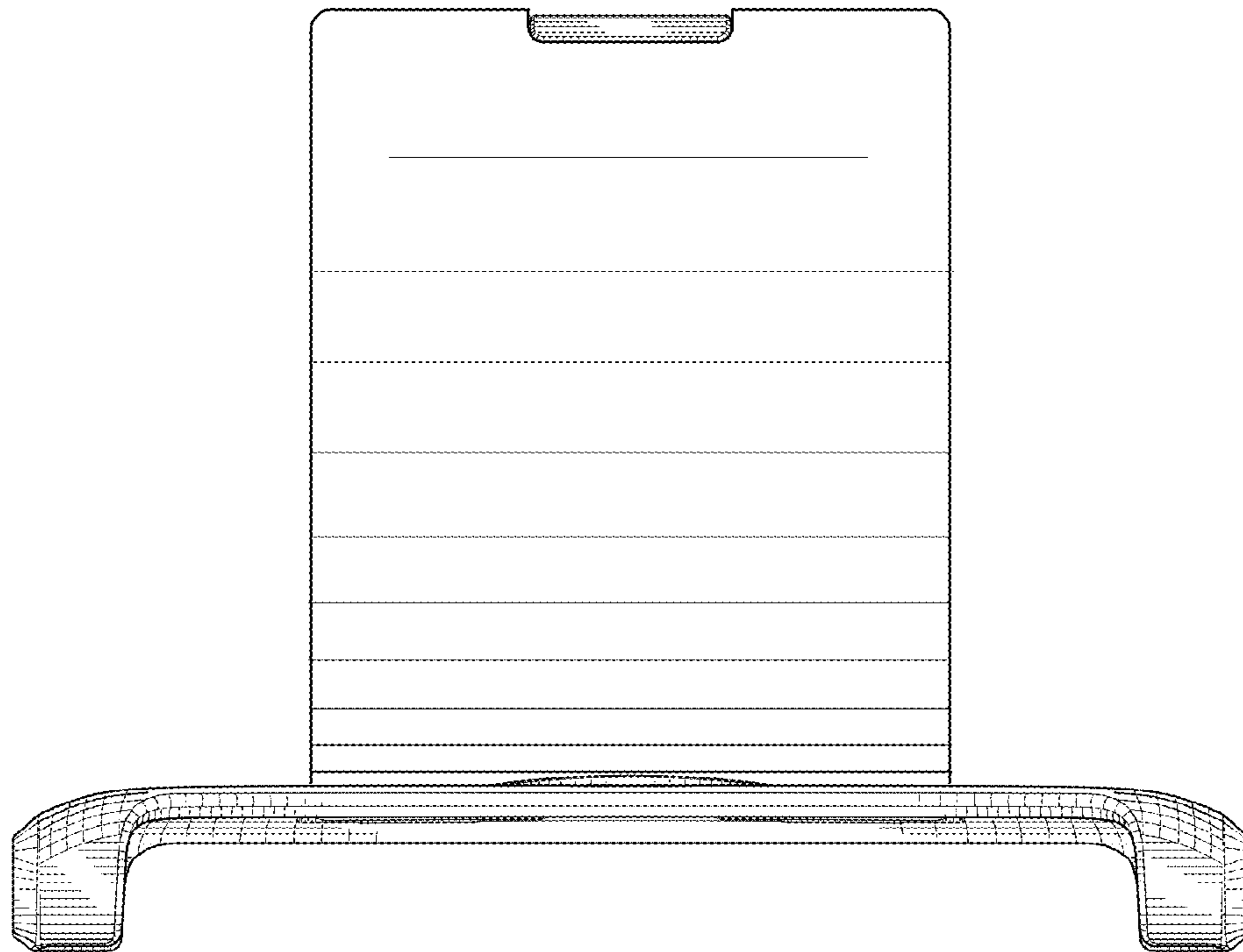


FIG. 15

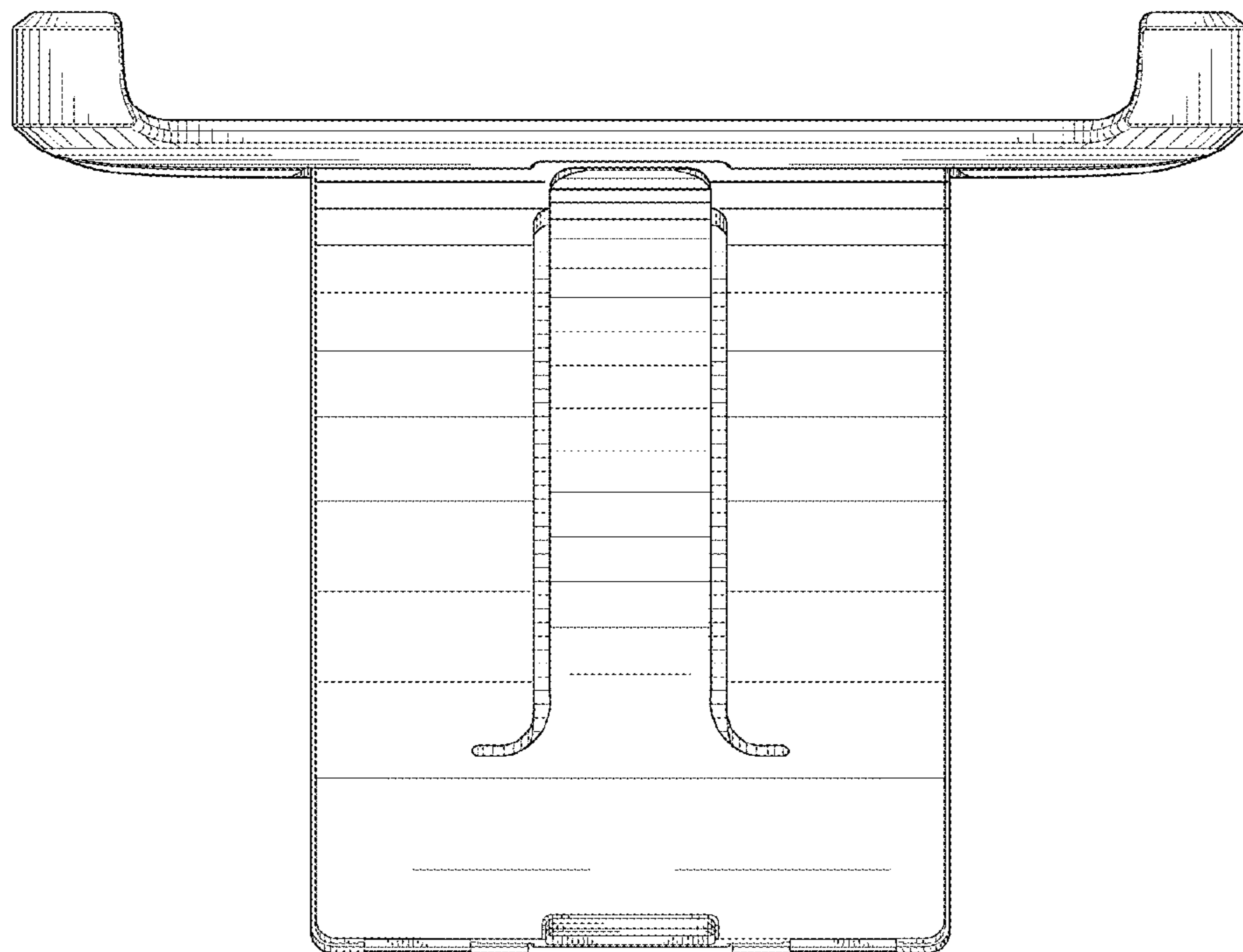


FIG. 16