

US00D763856S

(12) **United States Design Patent**
Moore

(10) **Patent No.:** **US D763,856 S**
(45) **Date of Patent:** **** Aug. 16, 2016**

- (54) **CASE FOR AN ELECTRONIC DEVICE**
- (71) Applicant: **Max Interactive, Inc.**, Costa Mesa, CA (US)
- (72) Inventor: **Cameron Moore**, Costa Mesa, CA (US)
- (73) Assignee: **MAX INTERACTIVE, INC.**, Costa Mesa, CA (US)

D718,316 S * 11/2014 Veltz D14/440
 D744,490 S * 12/2015 Hsu D14/440
 D748,636 S * 2/2016 Zadvinskis D14/440
 2010/0110629 A1 5/2010 Dietz et al.
 2011/0285258 A1* 11/2011 Yuan G06F 1/1626
 312/223.2
 2012/0153116 A1* 6/2012 Harrison A47B 23/044
 248/460
 2013/0242490 A1 9/2013 Ku
 2013/0270980 A1 10/2013 Hsu

(**) Term: **15 Years**

(21) Appl. No.: **29/530,539**

(22) Filed: **Jun. 17, 2015**

(51) **LOC (10) Cl.** **14-02**

(52) **U.S. Cl.**
USPC **D14/440**

(58) **Field of Classification Search**
USPC D14/250, 440, 447; 206/45.23, 320,
206/45.2; 361/679.55; 294/25; 224/218; 1/1
CPC G06F 1/1628; G06F 1/1613
See application file for complete search history.

(56) **References Cited**

U.S. PATENT DOCUMENTS

D397,246 S * 8/1998 Hoofnagle D3/201
 6,016,248 A * 1/2000 Anzai G06F 1/1626
 248/463
 7,643,274 B2 1/2010 Bekele
 8,173,893 B2* 5/2012 Huang A45C 11/00
 136/251
 D668,660 S * 10/2012 Norfolk D14/440
 D673,546 S 1/2013 Magness et al.
 D684,978 S 6/2013 Phillips et al.
 8,479,915 B2 7/2013 Chen
 8,783,458 B2* 7/2014 Gallagher F16M 11/105
 206/320
 D710,858 S 8/2014 Mecchella et al.
 8,797,132 B2* 8/2014 Childs A45C 11/00
 206/320

* cited by examiner

Primary Examiner — Cynthia Underwood

(74) *Attorney, Agent, or Firm* — Patterson & Sheridan LLP

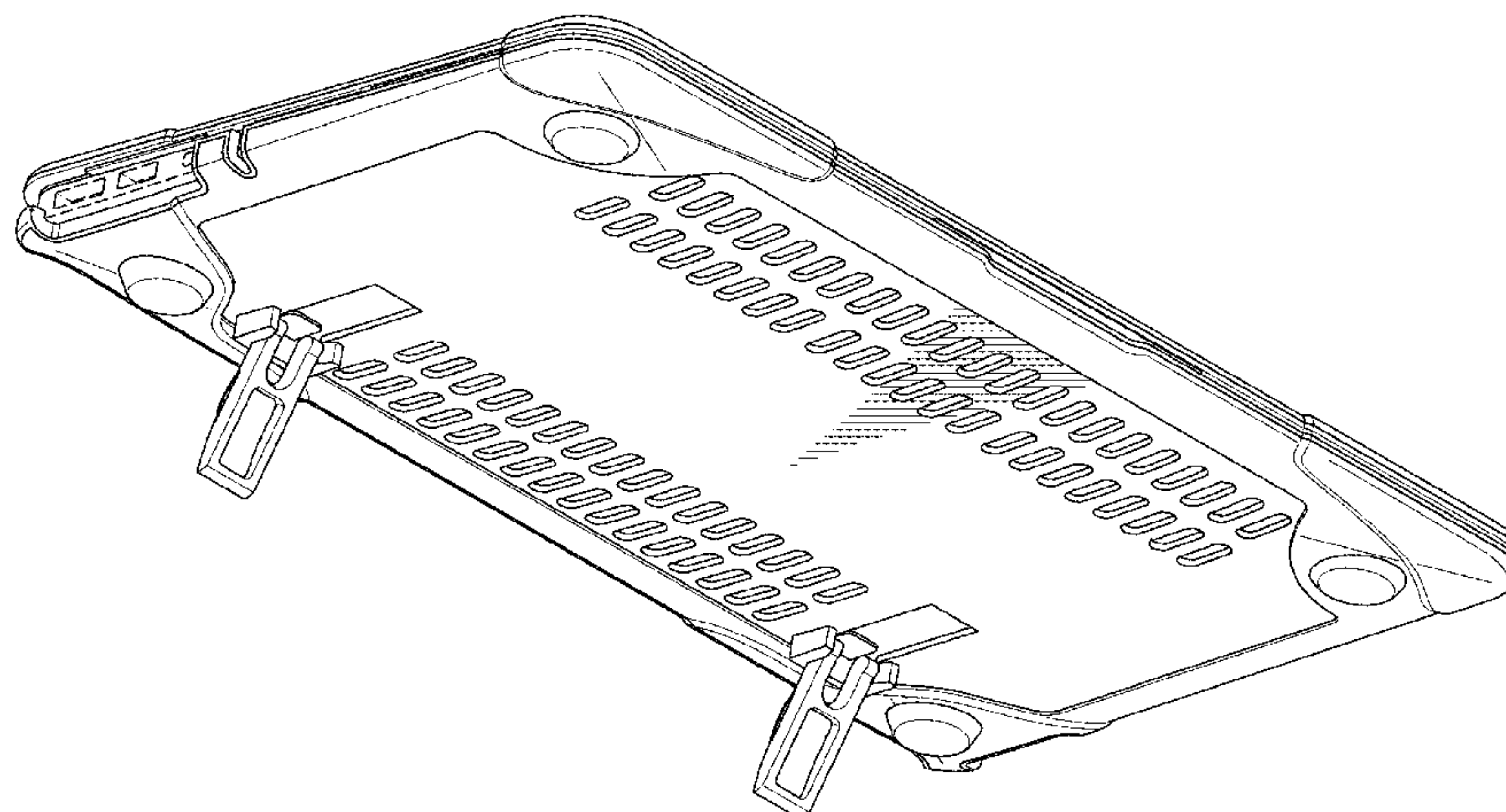
(57) **CLAIM**

The ornamental design for a case for an electronic device, as shown and described.

DESCRIPTION

FIG. 1 is a top front perspective view of a case for an electronic device showing my new design;
 FIG. 2 is a top rear perspective view thereof;
 FIG. 3 is a bottom rear perspective view thereof;
 FIG. 4 is a bottom front perspective view thereof;
 FIG. 5 is a top plan view thereof;
 FIG. 6 is a bottom plan view thereof;
 FIG. 7 is a front elevational view thereof;
 FIG. 8 is a rear elevational view thereof;
 FIG. 9 is a right side elevational view thereof;
 FIG. 10 is a left side elevational view thereof;
 FIG. 11 is a bottom front perspective view of the case in a second position;
 FIG. 12 is a left side elevational view of the case in the second position; and,
 FIG. 13 is a bottom rear perspective view of the case in the second position.
 The broken lines are depict environmental subject matter and form no part of the claim.

1 Claim, 11 Drawing Sheets



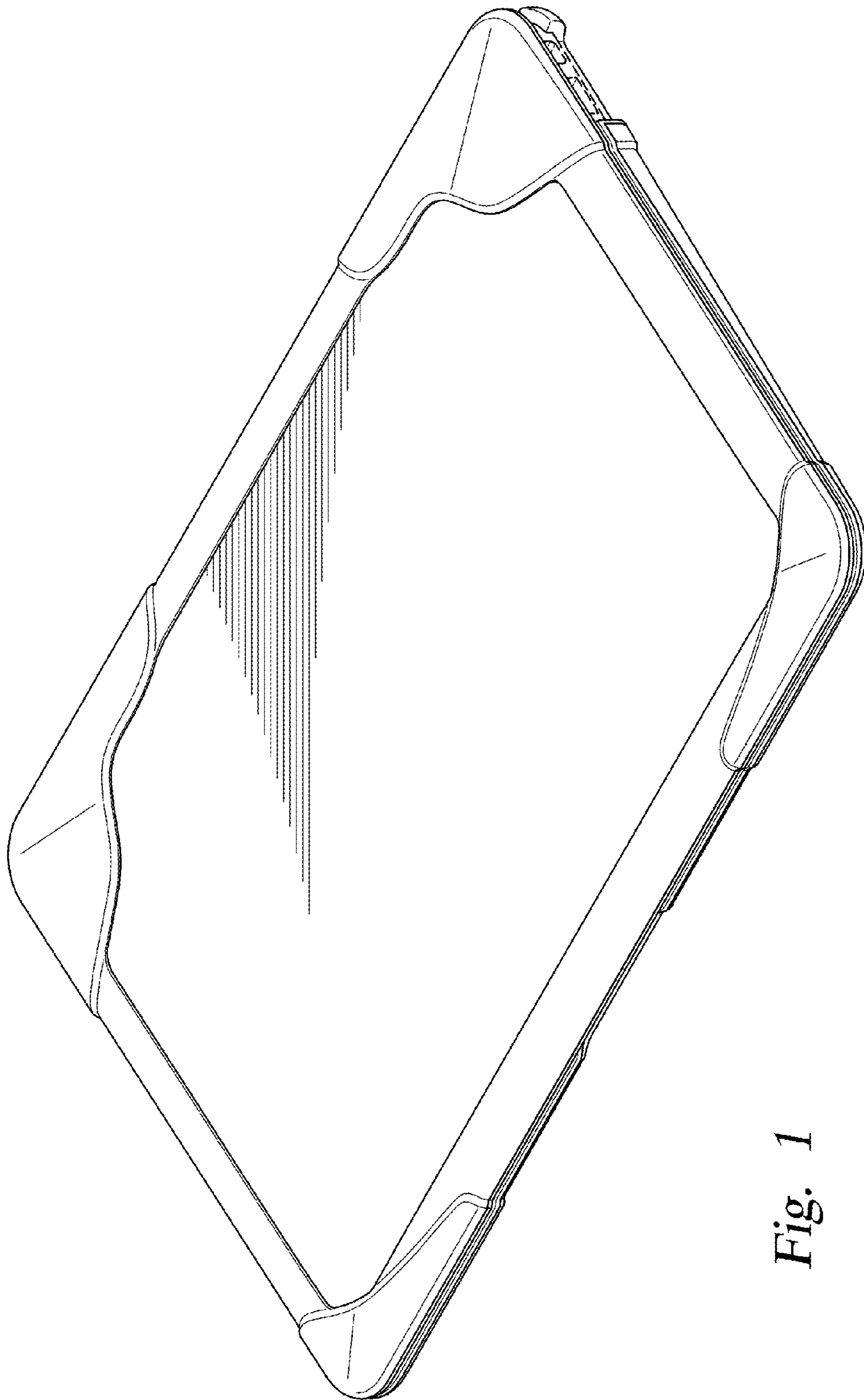


Fig. 1

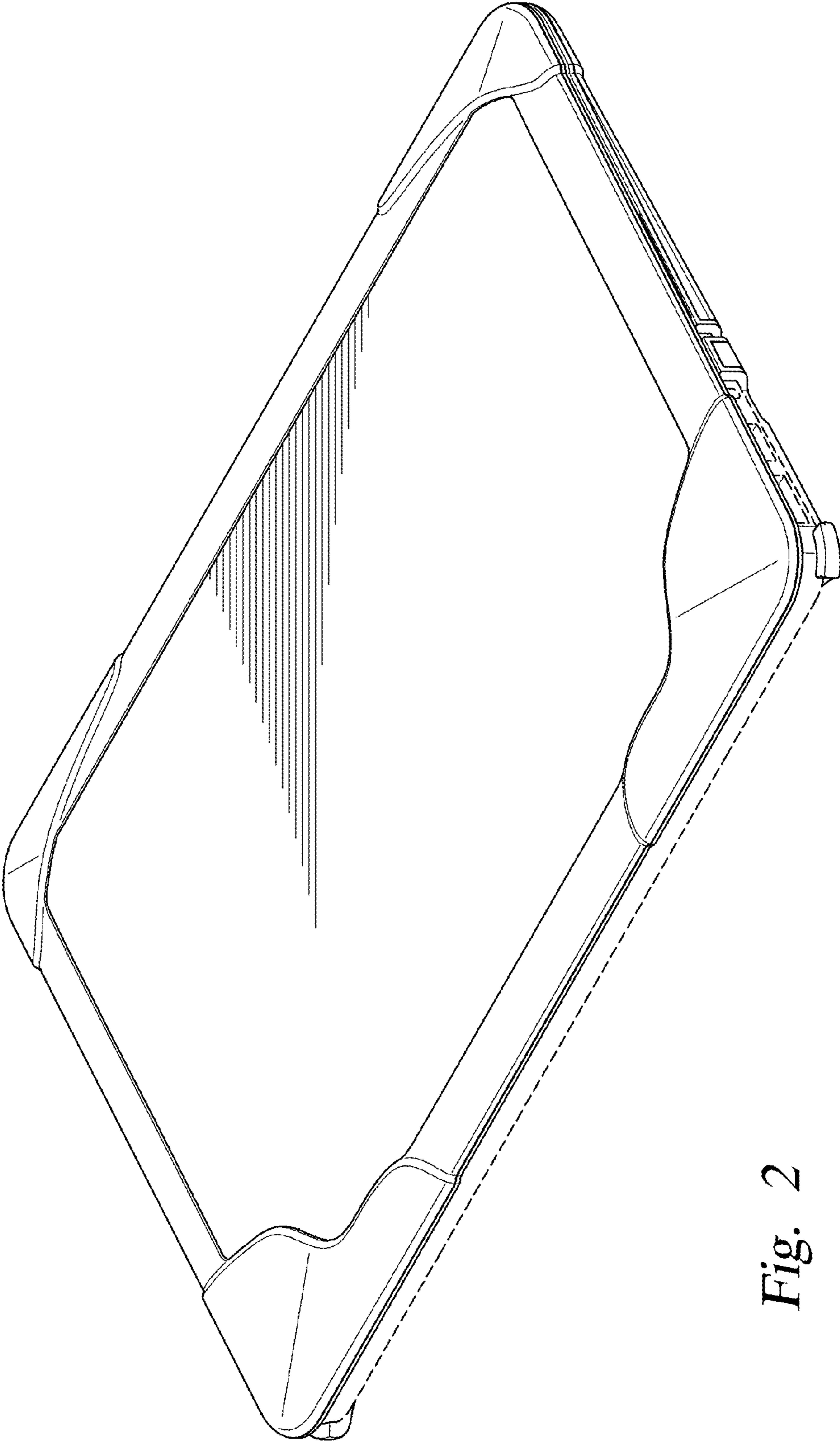


Fig. 2

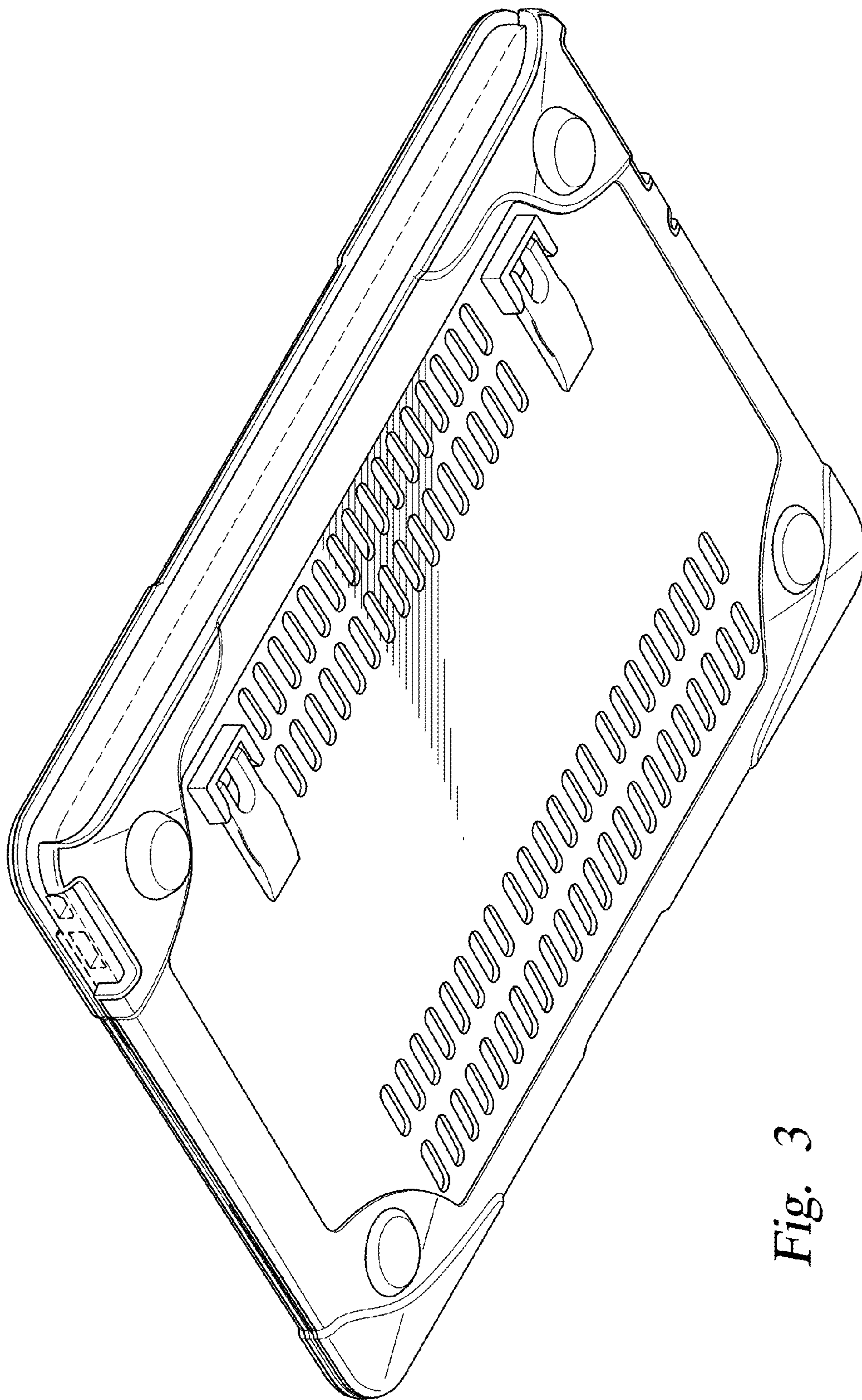


Fig. 3

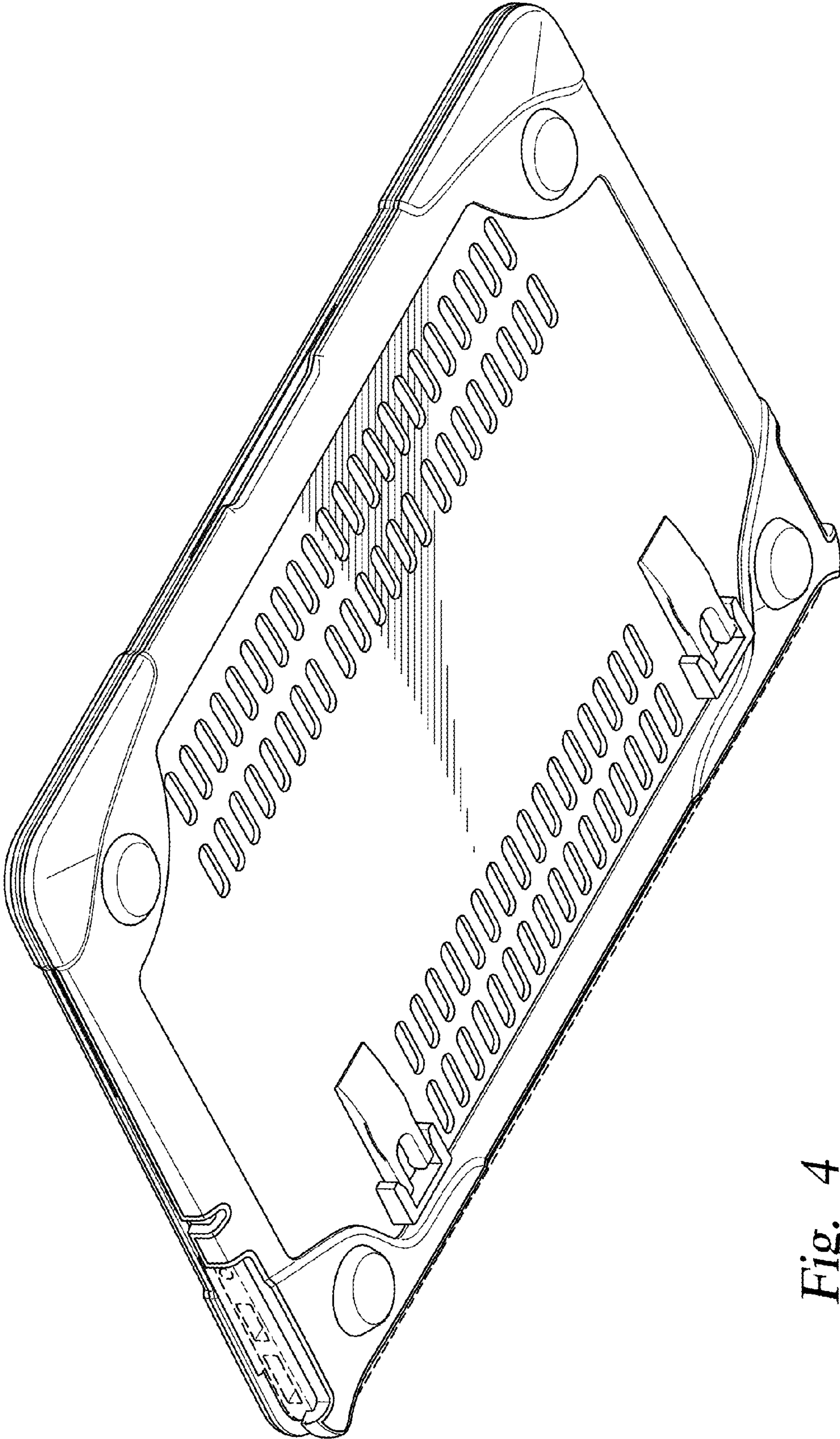


Fig. 4

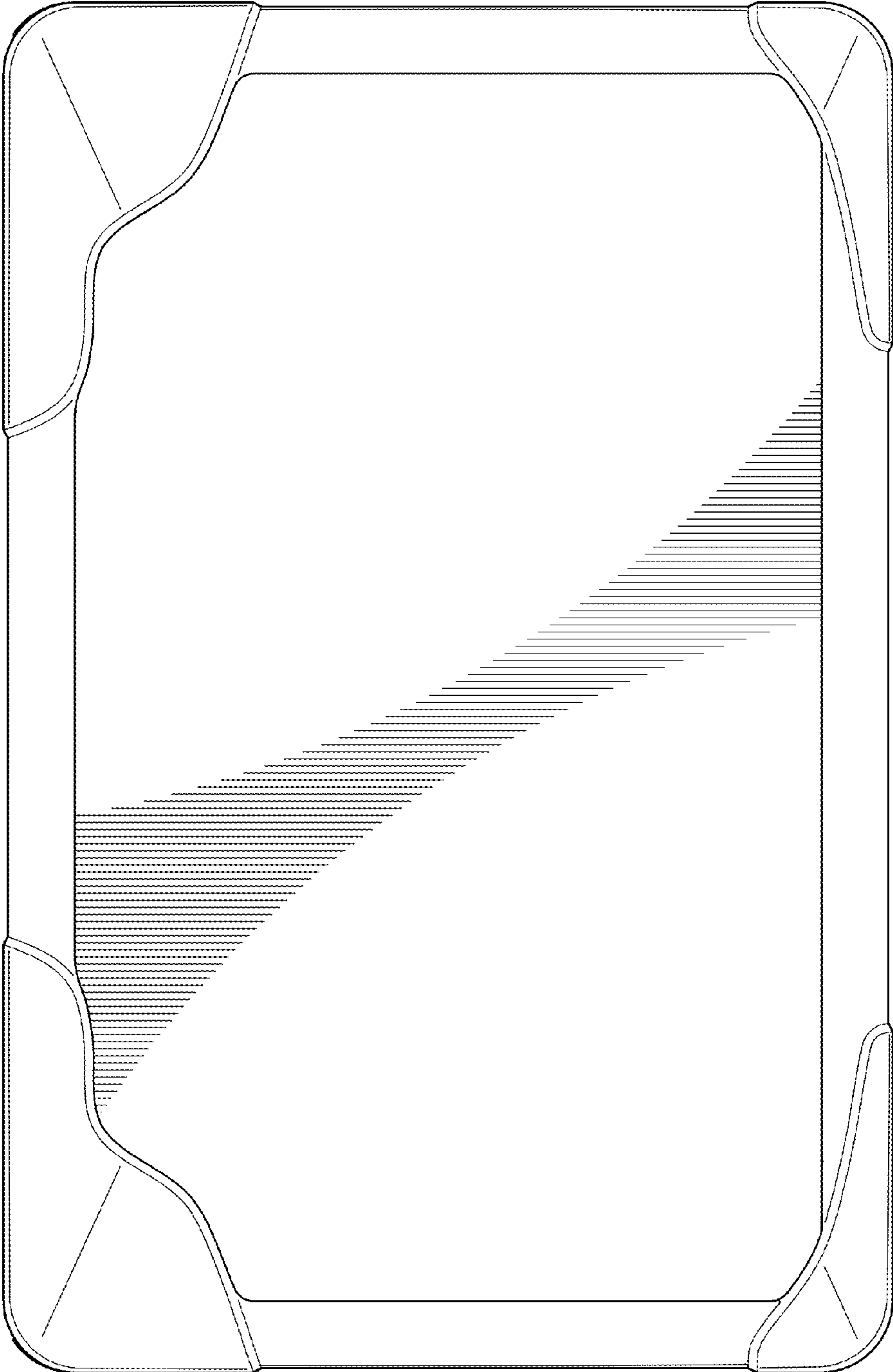


Fig. 5

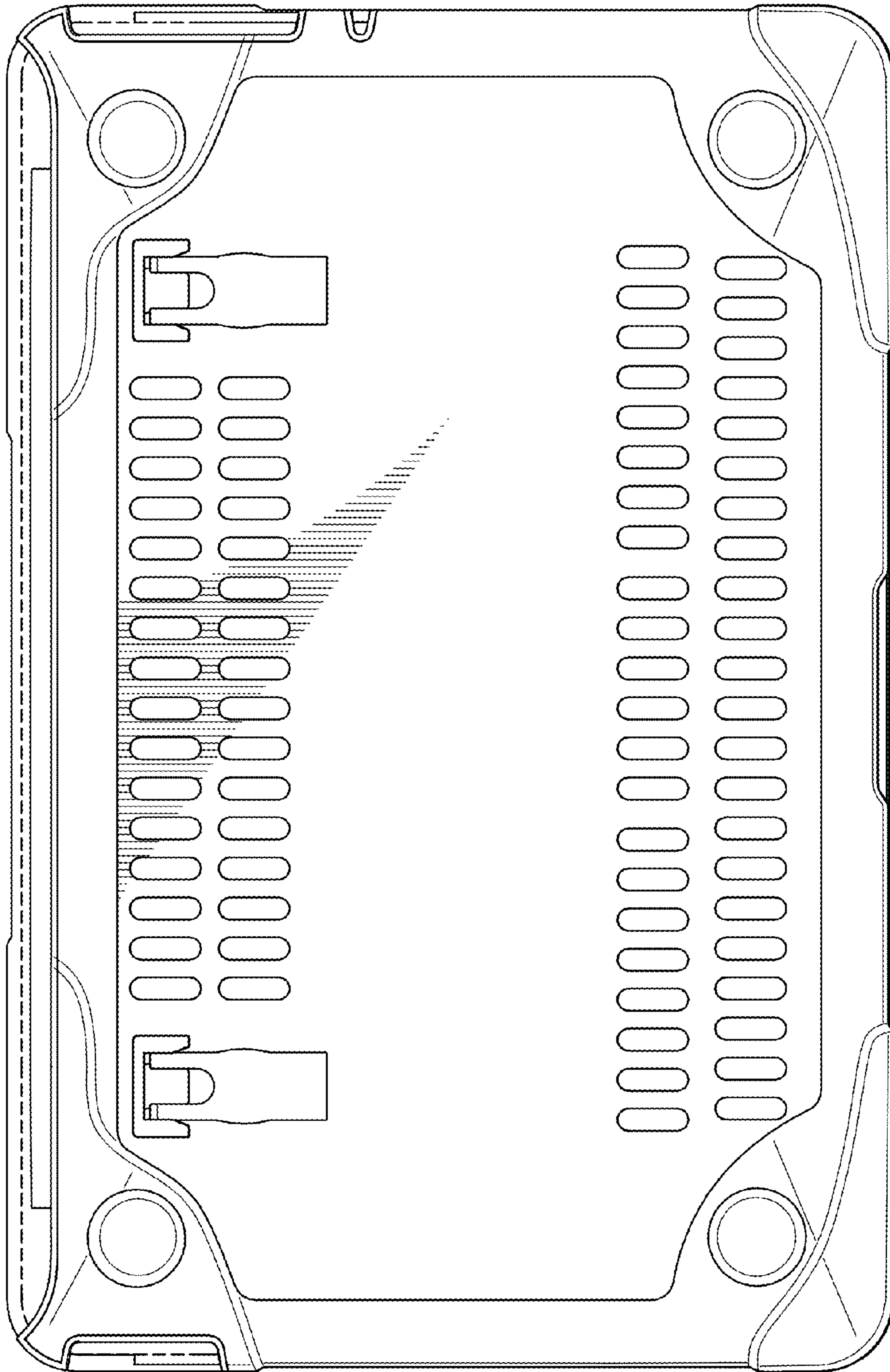


Fig. 6

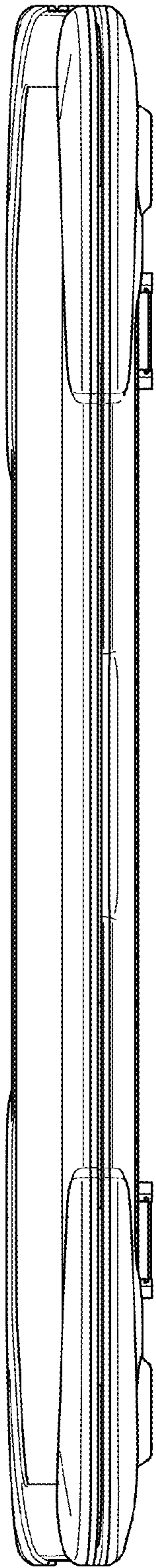


Fig. 7

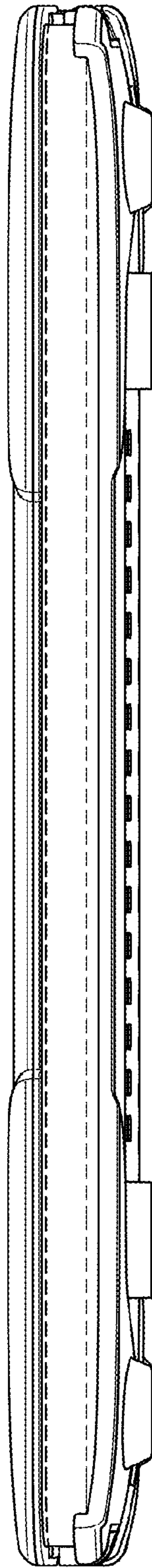


Fig. 8

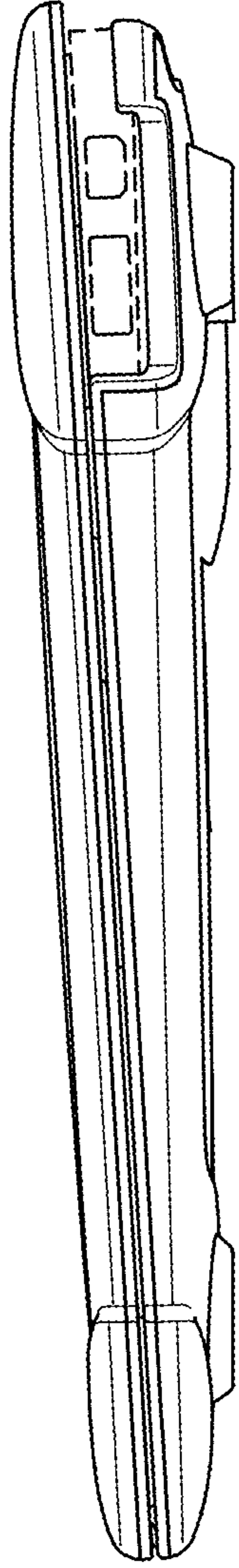


Fig. 9

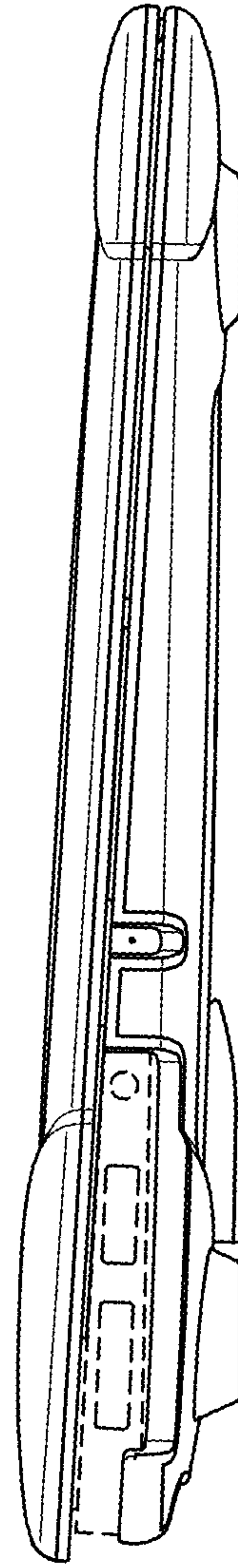


Fig. 10

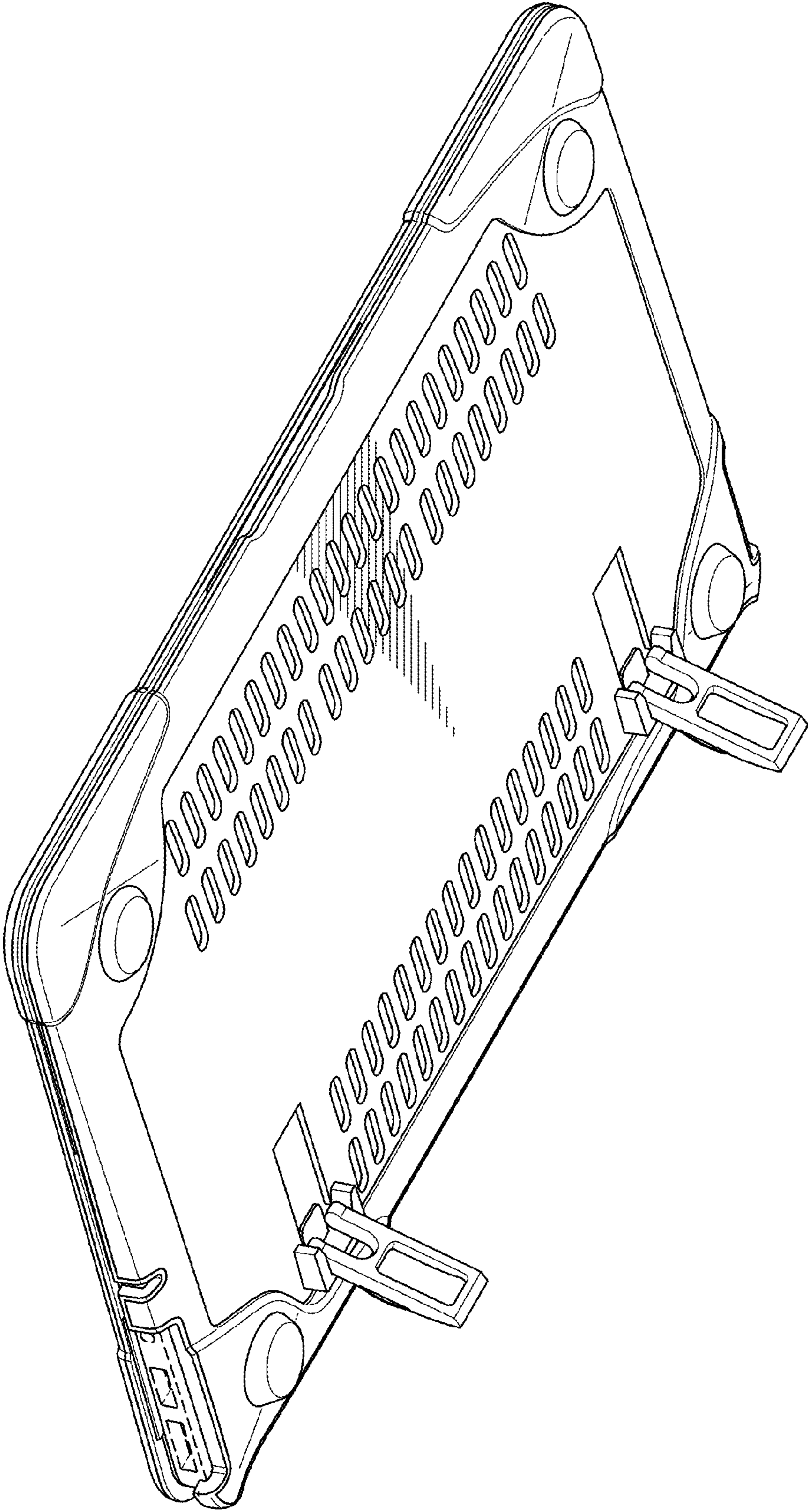


Fig. 11

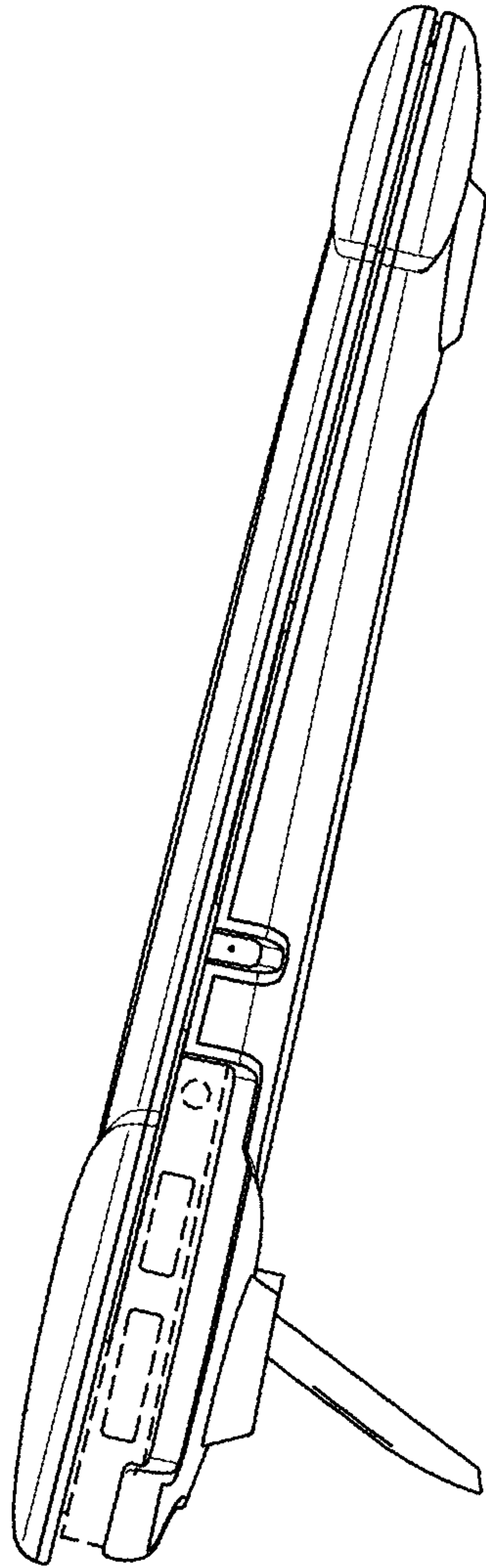


Fig. 12

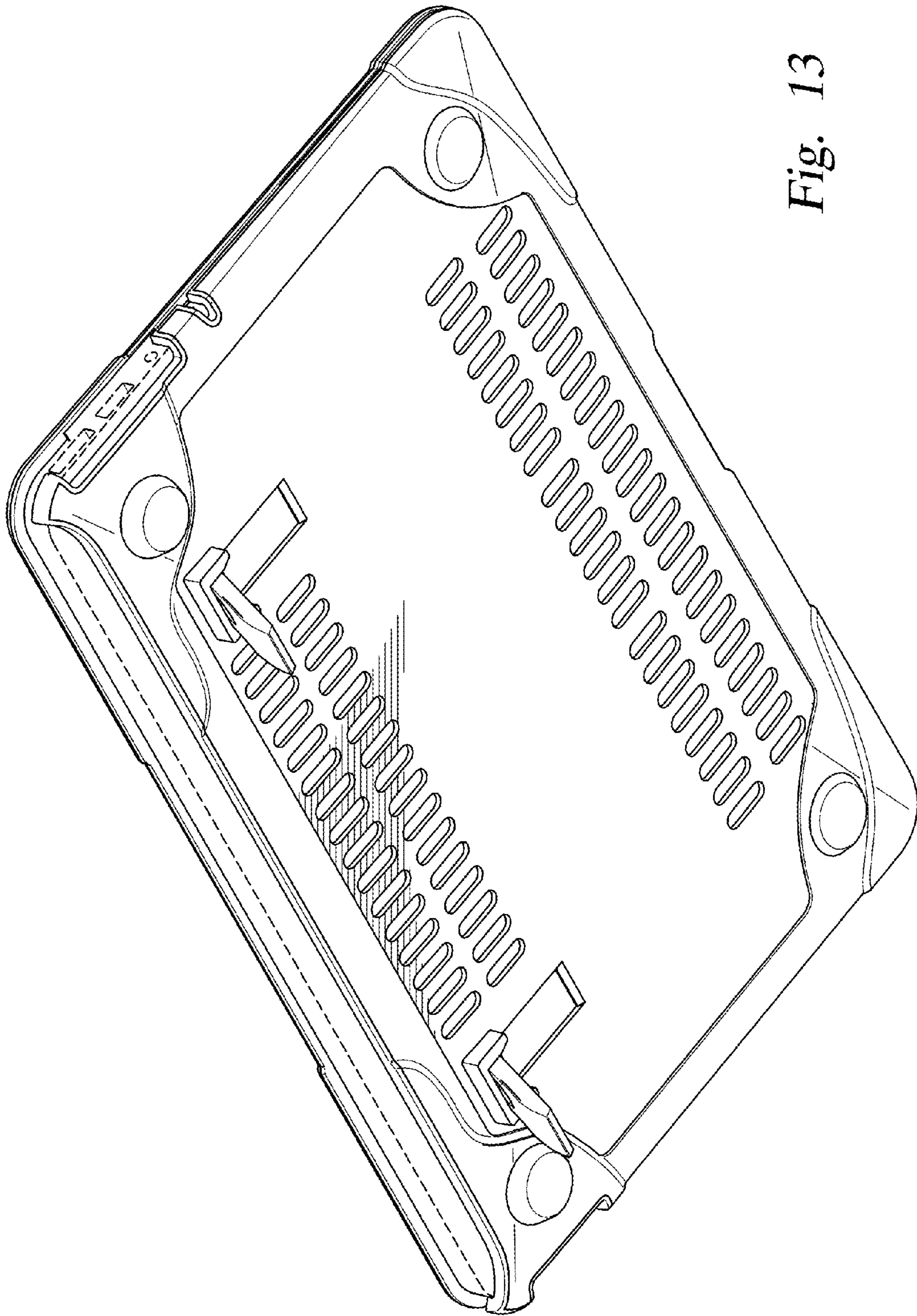


Fig. 13