



US00D763855S

(12) **United States Design Patent**
Poon et al.

(10) **Patent No.:** **US D763,855 S**

(45) **Date of Patent:** **** Aug. 16, 2016**

(54) **TABLET COMPUTER CASE**
(71) Applicant: **Griffin Technology, Inc.**, Nashville, TN (US)

(72) Inventors: **Daniel Poon**, Nashville, TN (US); **Tony Ray Plunk**, Fairview, TN (US); **Aaron Jones**, Nashville, TN (US)

(73) Assignee: **Griffin Technology, Inc.**, Nashville, TN (US)

(**) Term: **14 Years**

(21) Appl. No.: **29/524,748**

(22) Filed: **Apr. 23, 2015**

(51) **LOC (10) Cl.** **14-02**

(52) **U.S. Cl.**
USPC **D14/440**

(58) **Field of Classification Search**
USPC D14/250, 440, 447; 206/45.23, 320, 206/45.2; 361/679.55; 294/25; 224/218; 1/1
CPC ... G06F 1/1628; G06F 1/1613; G06F 1/1626; A47B 23/044
See application file for complete search history.

(56) **References Cited**

U.S. PATENT DOCUMENTS

6,016,248	A *	1/2000	Anzai	G06F 1/1626 248/463
8,173,893	B2 *	5/2012	Huang	A45C 11/00 136/251
8,783,458	B2 *	7/2014	Gallagher	F16M 11/105 206/320
8,797,132	B2 *	8/2014	Childs	A45C 11/00 206/320
8,888,063	B2 *	11/2014	Mack	F16M 11/00 248/121
8,971,030	B2 *	3/2015	Chen	H04M 1/0214 361/679.26

9,128,668	B2 *	9/2015	Johnson	G06F 1/1626
D744,490	S *	12/2015	Hsu	D14/440
9,201,476	B2 *	12/2015	Zhang	G06F 1/203
9,204,718	B2 *	12/2015	Magaudda	A47B 23/044
2011/0285258	A1 *	11/2011	Yuan	G06F 1/1626 312/223.2
2012/0153116	A1 *	6/2012	Harrison	A47B 23/044 248/460

* cited by examiner

Primary Examiner — Cynthia Underwood

(74) *Attorney, Agent, or Firm* — Hornkohl Intellectual Property Law, PLLC; Jason L. Hornkohl

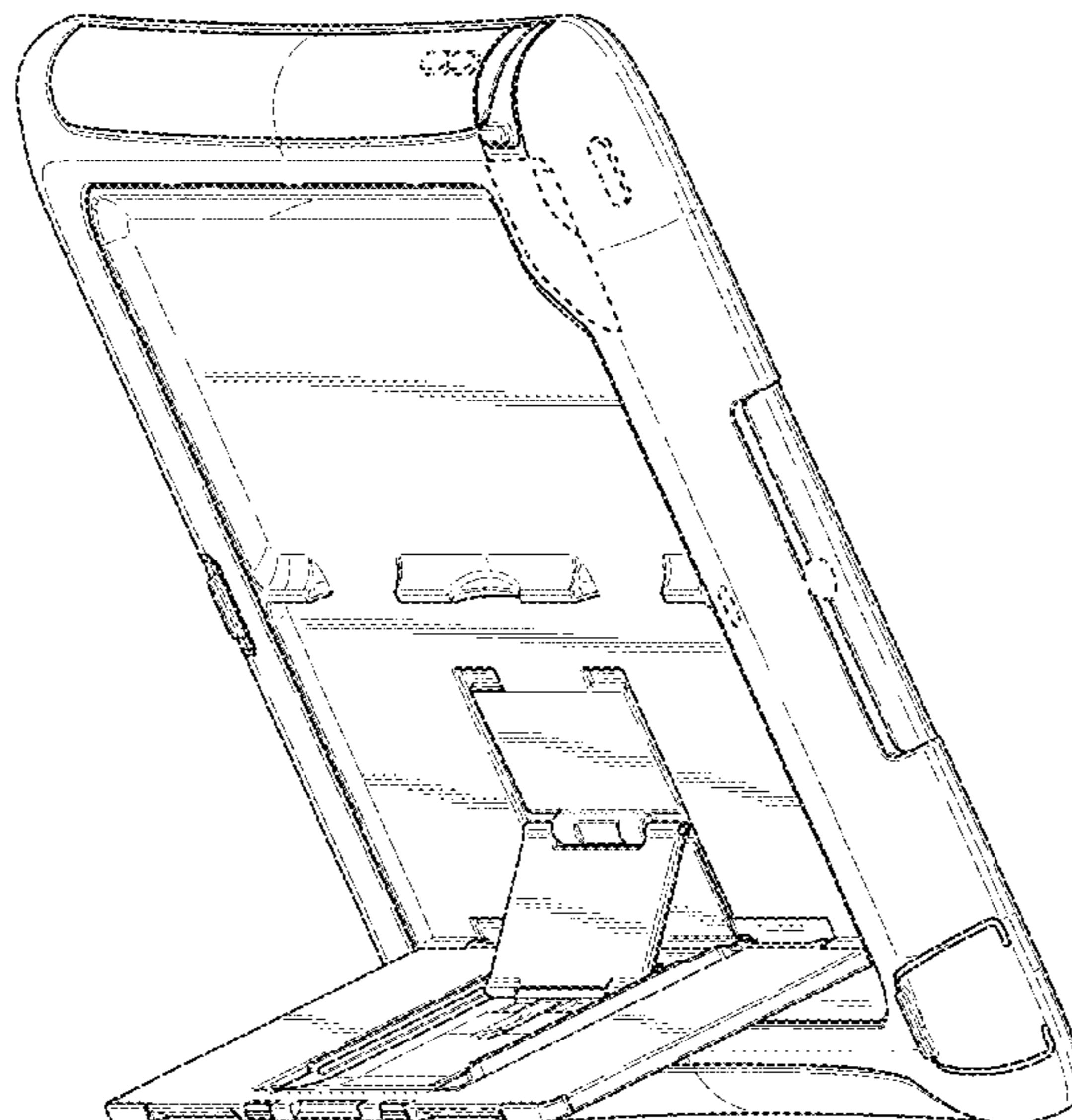
(57) **CLAIM**

The ornamental design for a tablet computer case, as shown and described.

DESCRIPTION

FIG. 1 is an isometric front view of the new design for a tablet computer case;
 FIG. 2 is an isometric rear view of the tablet computer case;
 FIG. 3 is a top view of the tablet computer case;
 FIG. 4 is a left side view of the tablet computer case;
 FIG. 5 is a front view of the tablet computer case;
 FIG. 6 is a right side view of the tablet computer case;
 FIG. 7 is a bottom view of the tablet computer case;
 FIG. 8 is a back view of the tablet computer case;
 FIG. 9 is an isometric front right view of the tablet computer case with the stand in the open position;
 FIG. 10 is a left side view of the tablet computer case with the stand in the open position; and,
 FIG. 11 is a rear view of the tablet computer case with the stand in the open position.
 The broken lines are depict environmental subject matter or portions of the tablet computer case and form no part of the claim.

1 Claim, 7 Drawing Sheets



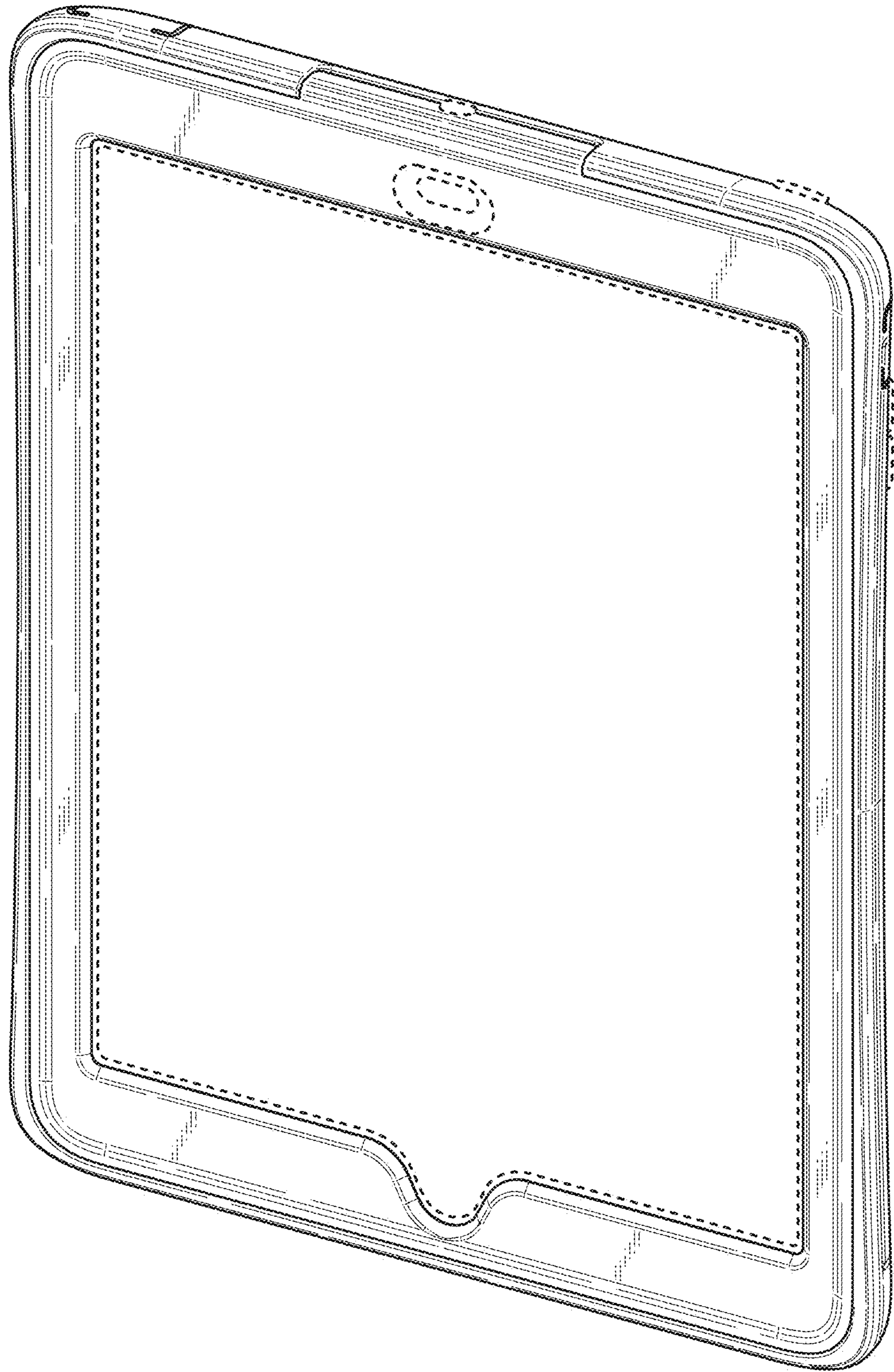


FIG. 1

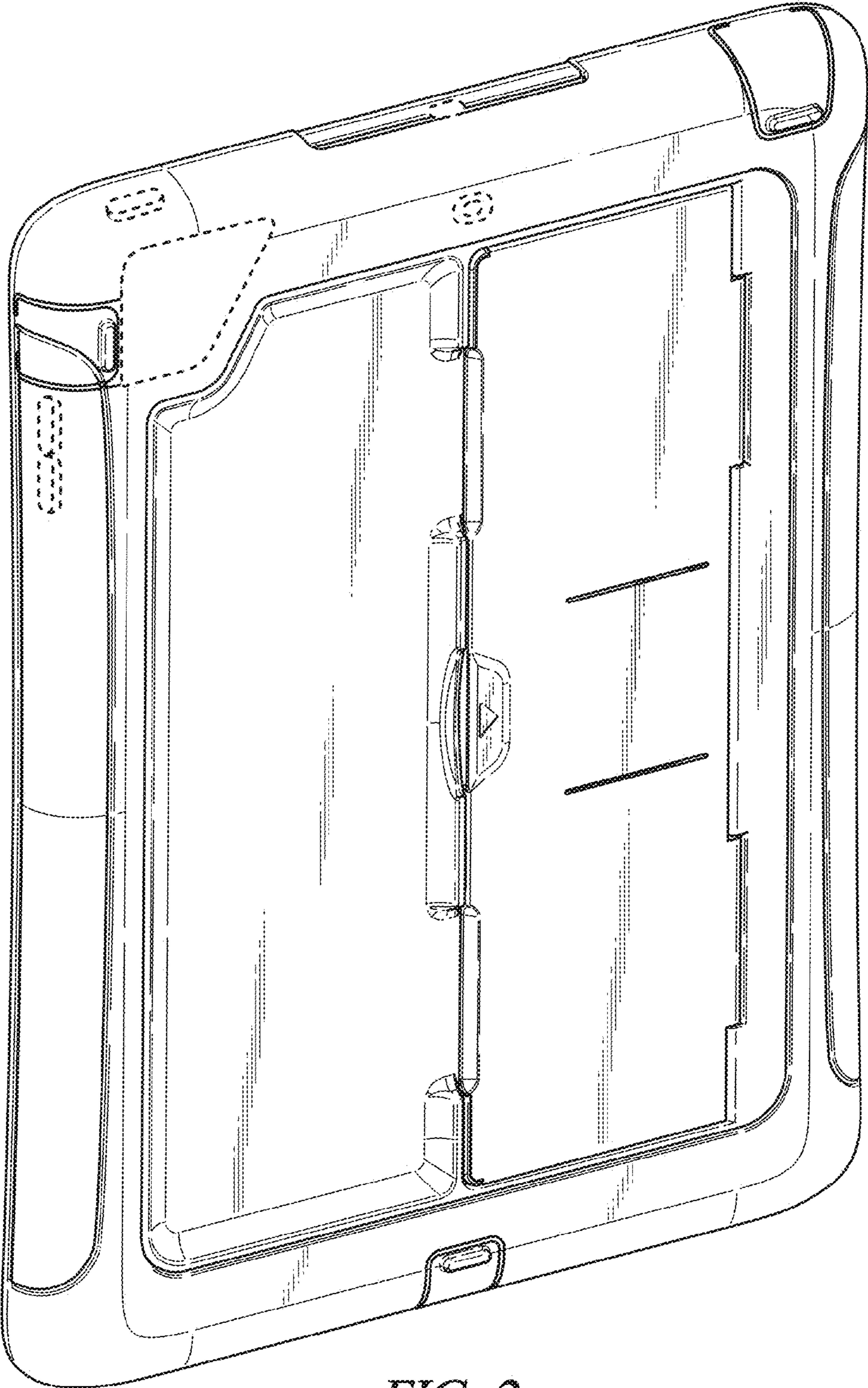


FIG. 2

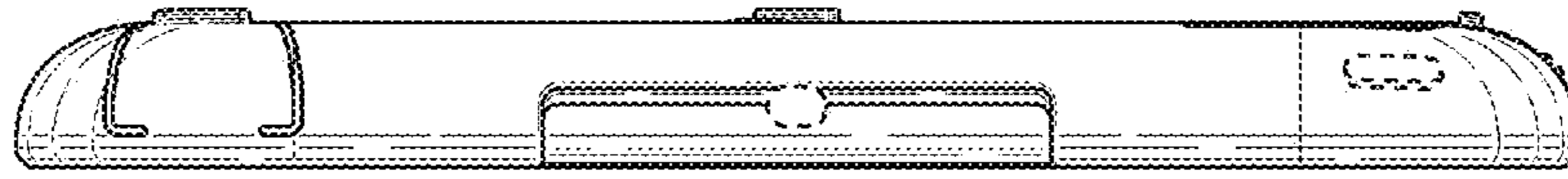


FIG. 3

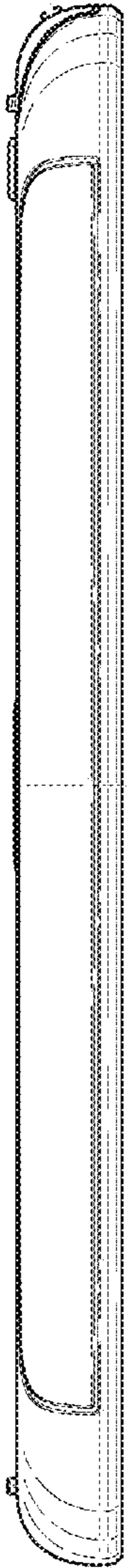


FIG. 4

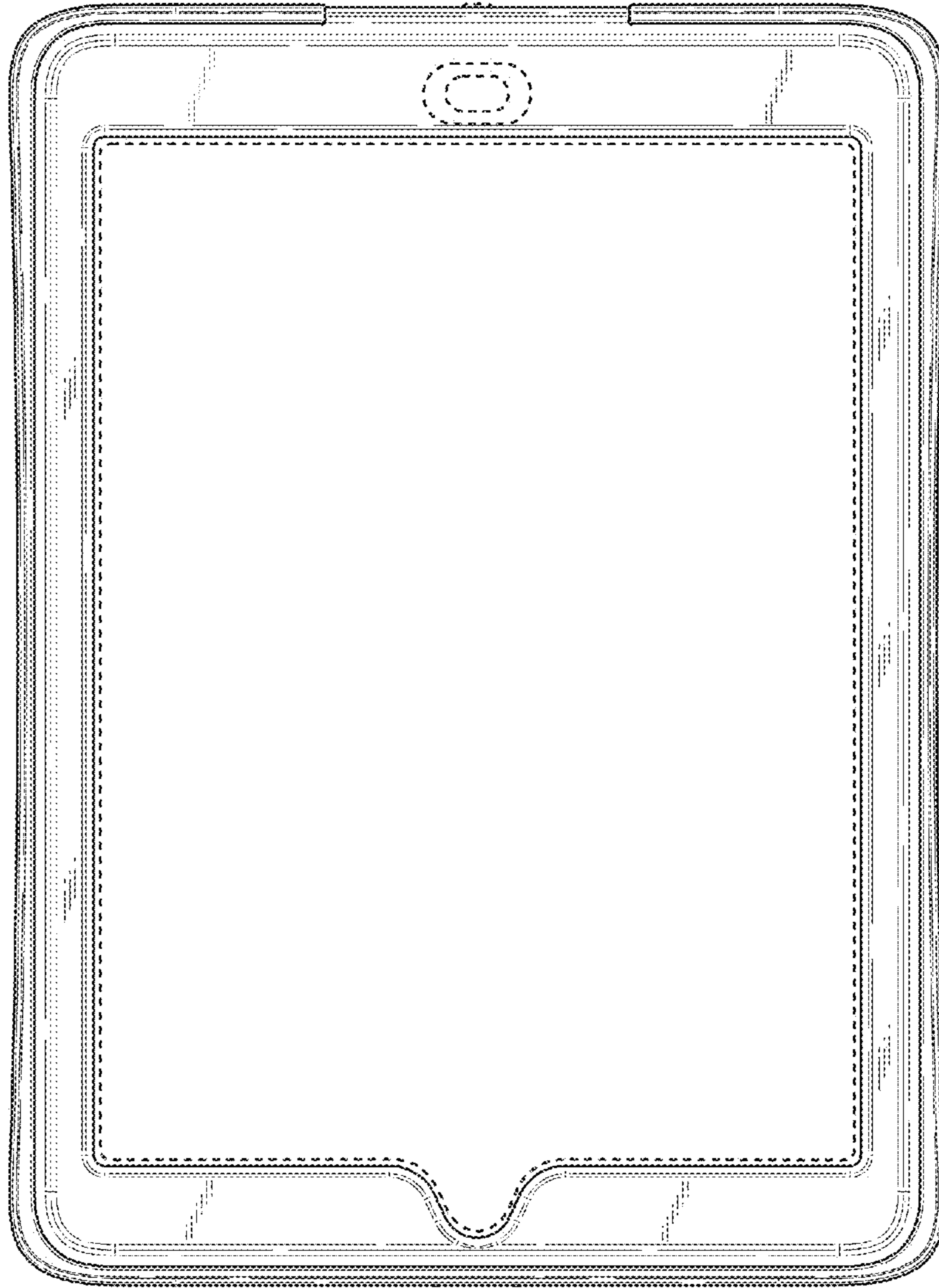


FIG. 5



FIG. 6

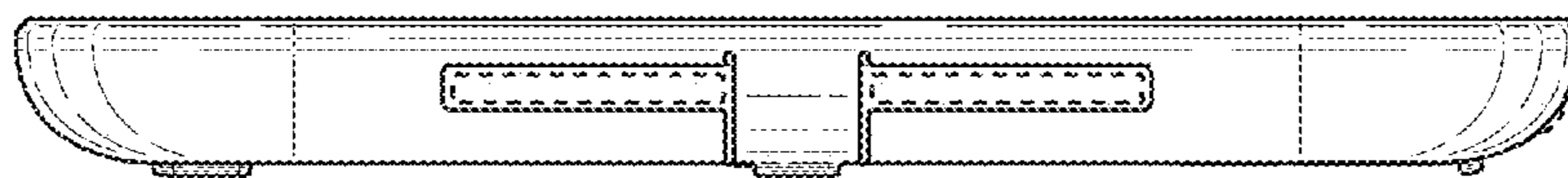


FIG. 7

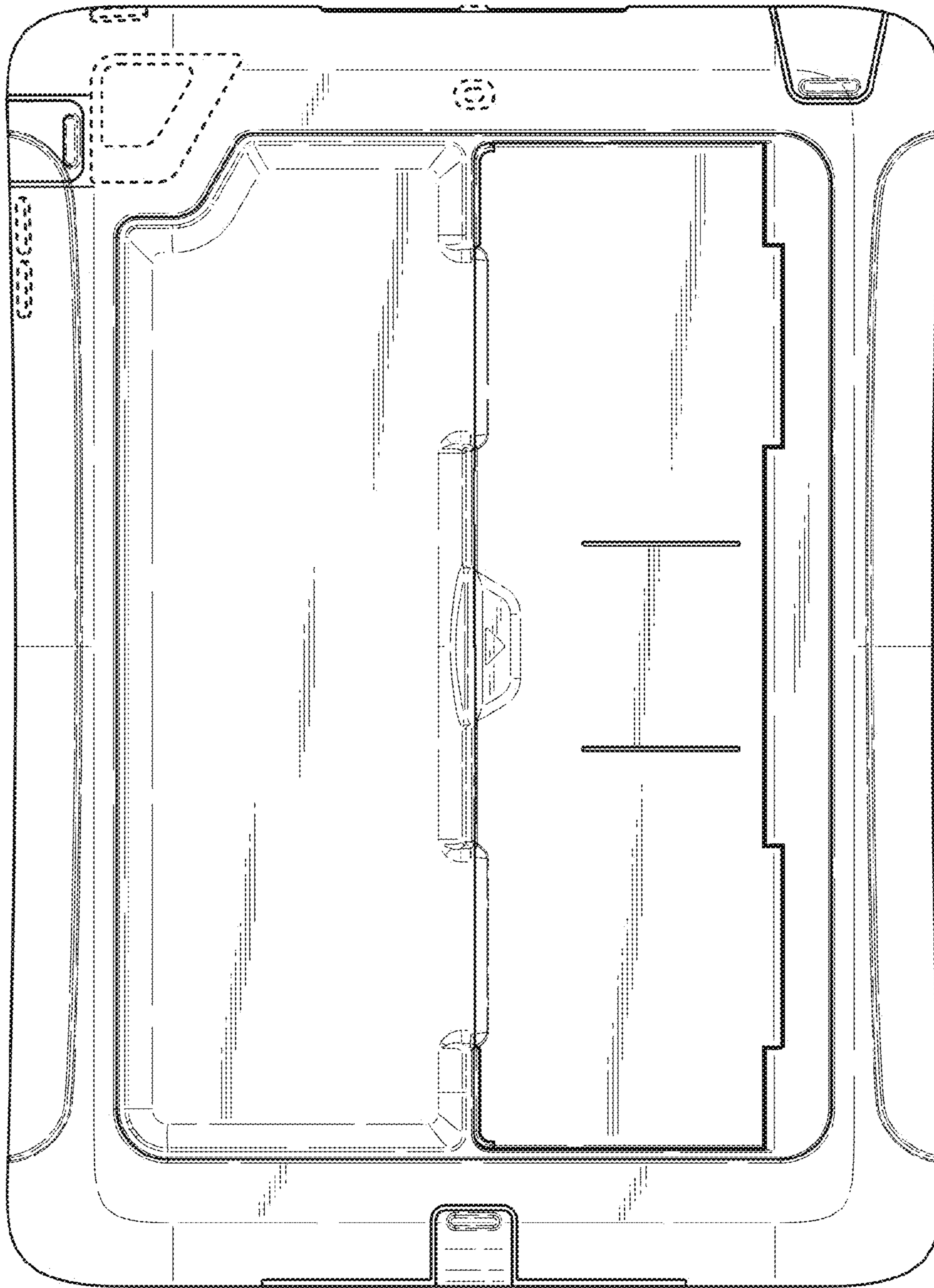


FIG. 8

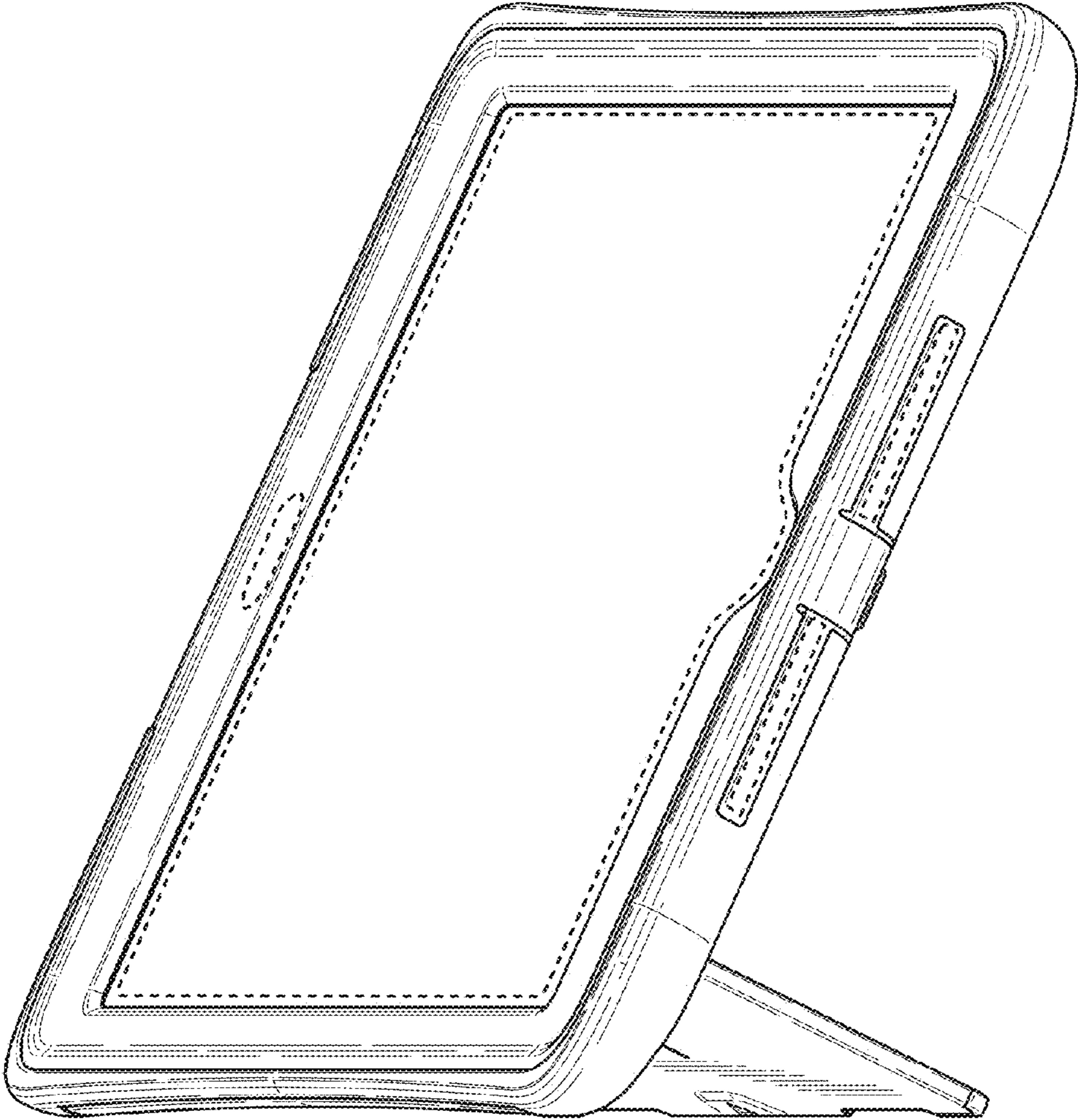


FIG. 9

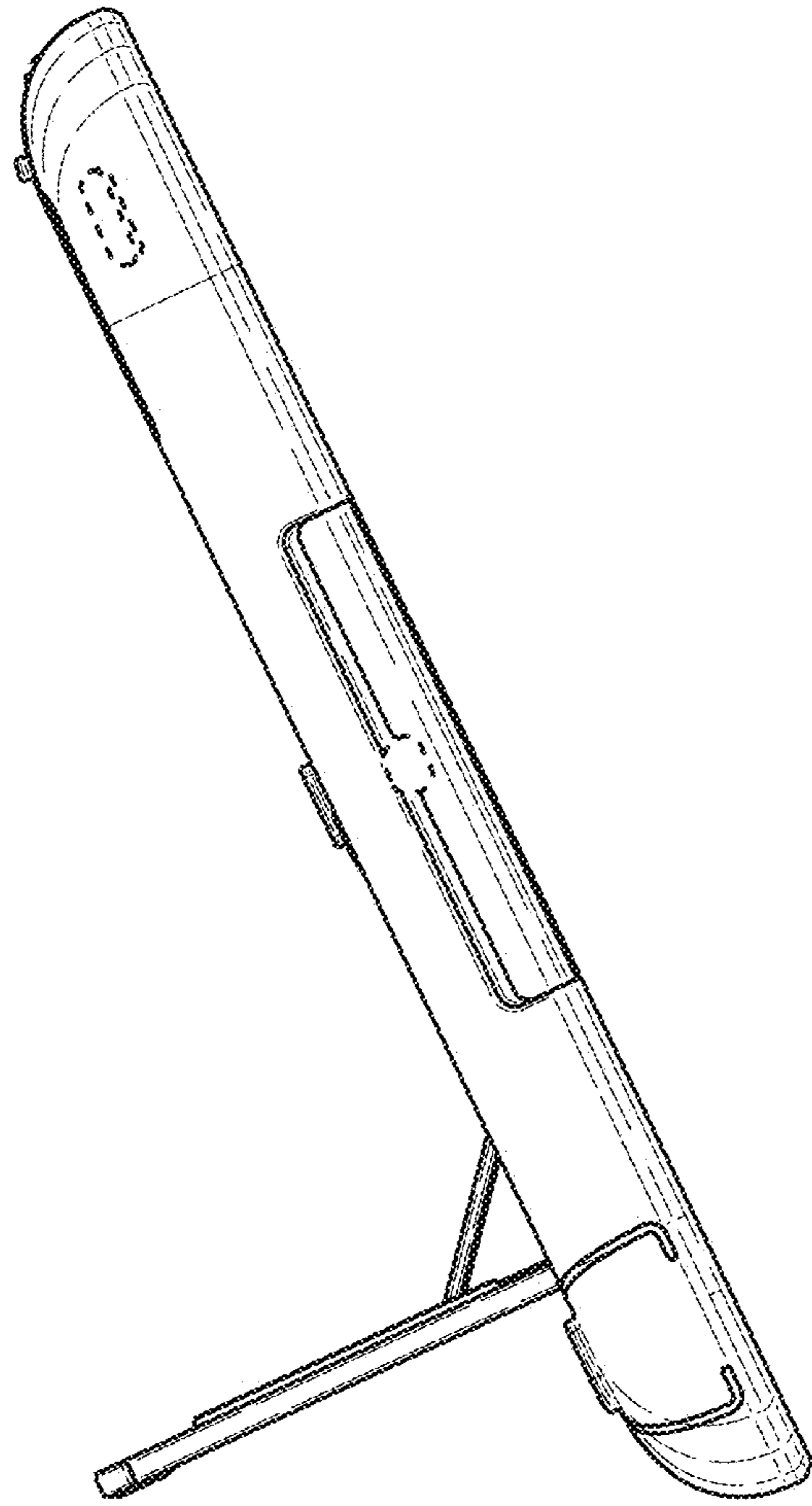


FIG. 10

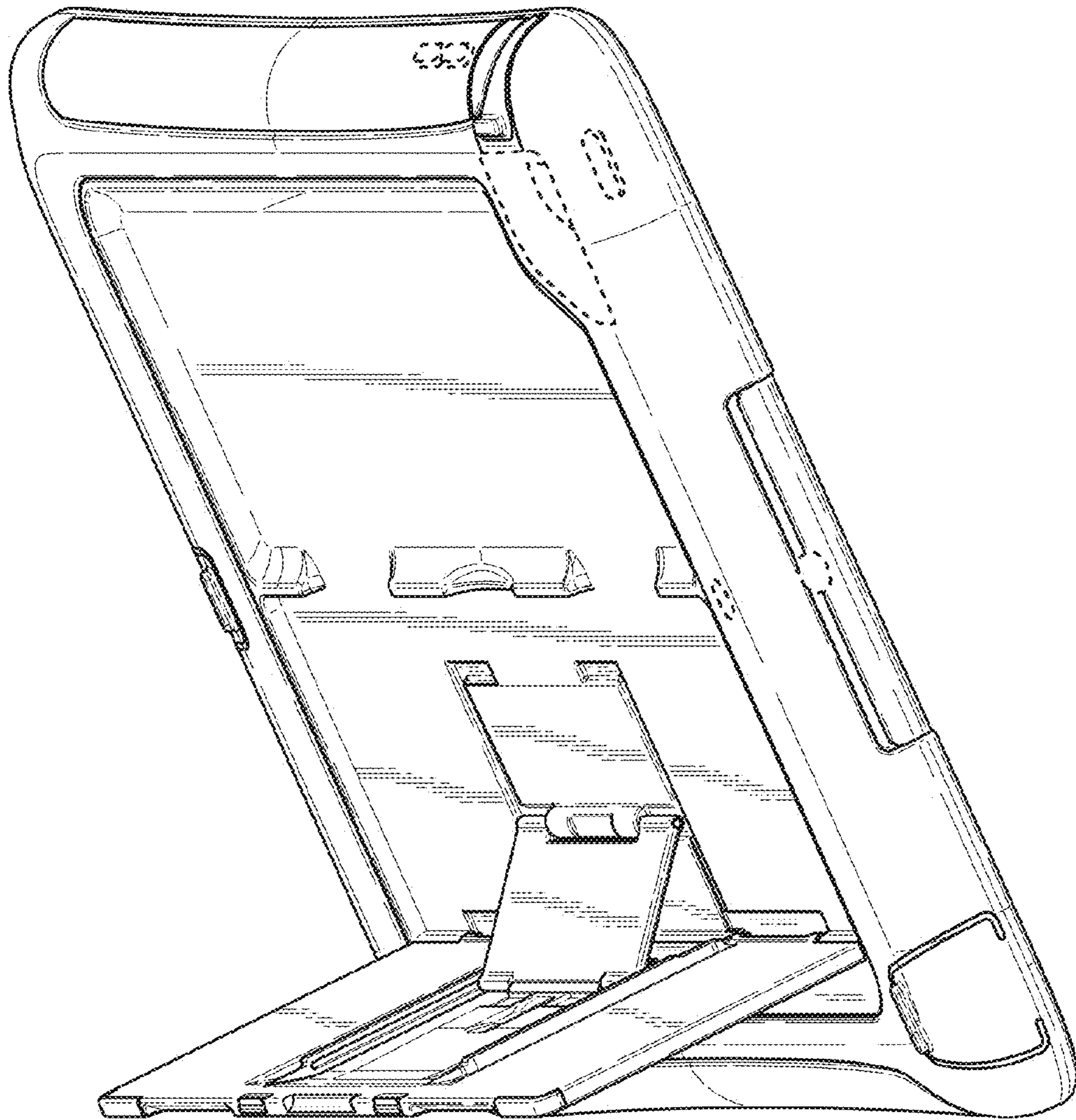


FIG. 11