



US00D763853S

(12) **United States Design Patent**
Pearce

(10) **Patent No.:** **US D763,853 S**

(45) **Date of Patent:** **** Aug. 16, 2016**

- (54) **TABLET COMPUTER CASE**
- (71) Applicant: **Joseph Pearce**, Newport Coast, CA (US)
- (72) Inventor: **Joseph Pearce**, Newport Coast, CA (US)
- (**) Term: **14 Years**
- (21) Appl. No.: **29/479,426**
- (22) Filed: **Jan. 15, 2014**
- (51) **LOC (10) Cl.** **14-02**
- (52) **U.S. Cl.**
USPC **D14/440**
- (58) **Field of Classification Search**
USPC D14/250, 251, 253, 240, 217, 496, 440,
D14/203.3, 203.4, 203.5, 203.8, 341, 318;
D3/218, 215, 201, 294, 289, 900;
220/4.02; 248/309.1; 361/679.56;
379/426, 433.11, 455; 455/575.1,
455/575.8, 457.1; 190/100; 206/305, 320,
206/45.2; D21/469; 312/240
CPC ... G06F 1/1601; G06F 1/1626; G06F 1/1633;
G06F 1/1675; G06F 1/1679; G02F 1/1306;
G02F 1/133; G02F 1/133308; G02F 1/153;
G02F 1/1533; G02F 2001/133317; H04M
1/185; H04M 1/0252; H04B 1/3888
See application file for complete search history.

- D696,257 S * 12/2013 Ward et al. D14/440
- D729,252 S * 5/2015 Smith et al. D14/440
- D729,255 S * 5/2015 Kilkenny D14/440
- D733,154 S * 6/2015 Armstrong et al. D14/440

* cited by examiner

Primary Examiner — Cynthia Underwood

(74) *Attorney, Agent, or Firm* — John D. Tran; Rhema Law Group

(57) **CLAIM**

The ornamental design for a table computer case, as shown and described.

DESCRIPTION

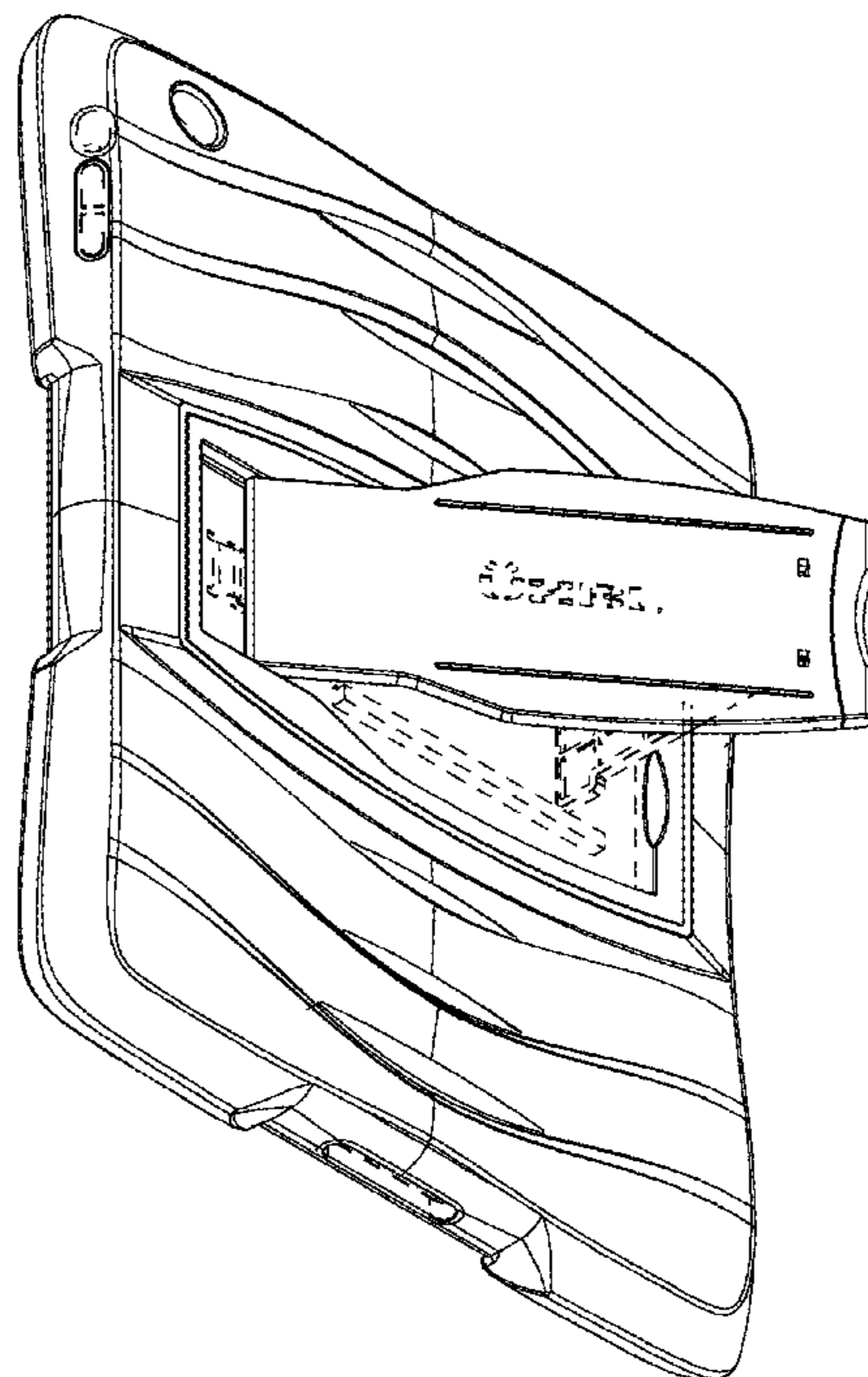
FIG. 1 is a back perspective view of a tablet computer case with the stand in an open position;
 FIG. 2 is a front view thereof;
 FIG. 3 is a back view thereof with the stand in a closed position;
 FIG. 4 is a right-side view thereof with the stand in an open position;
 FIG. 5 is a left-side view thereof with the stand in a closed position;
 FIG. 6 is a bottom view thereof with the stand in an open position; and,
 FIG. 7 is a top view thereof with the stand in a closed position.
 The broken lines in the drawings depict environmental subject matter/or parts of the tablet computer case and form no part of the claimed design.

(56) **References Cited**

U.S. PATENT DOCUMENTS

- D587,896 S * 3/2009 Aipa D3/201
- D652,825 S * 1/2012 Bau D14/238.1
- D693,350 S * 11/2013 Mish et al. D14/440

1 Claim, 5 Drawing Sheets



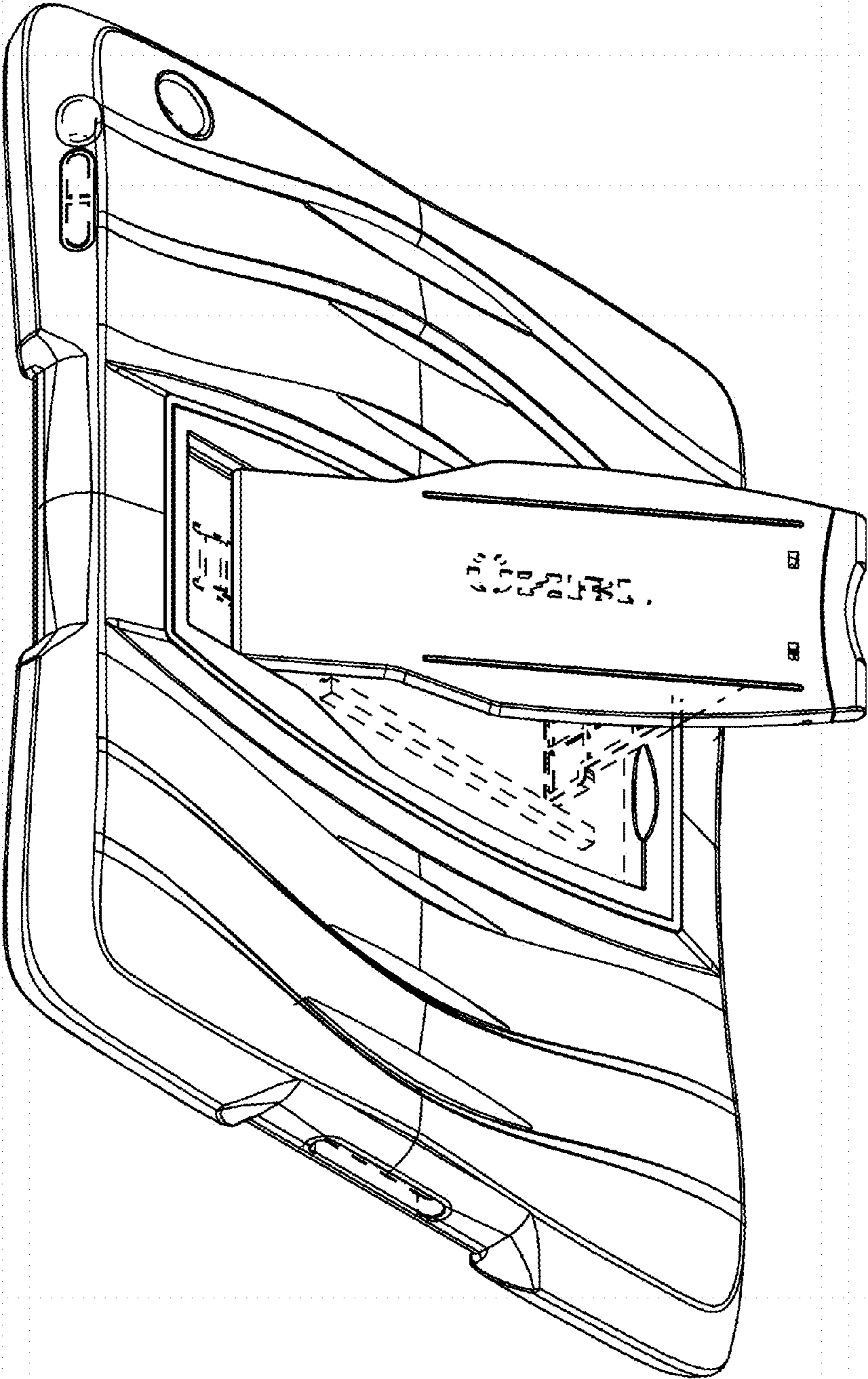


Fig. 1

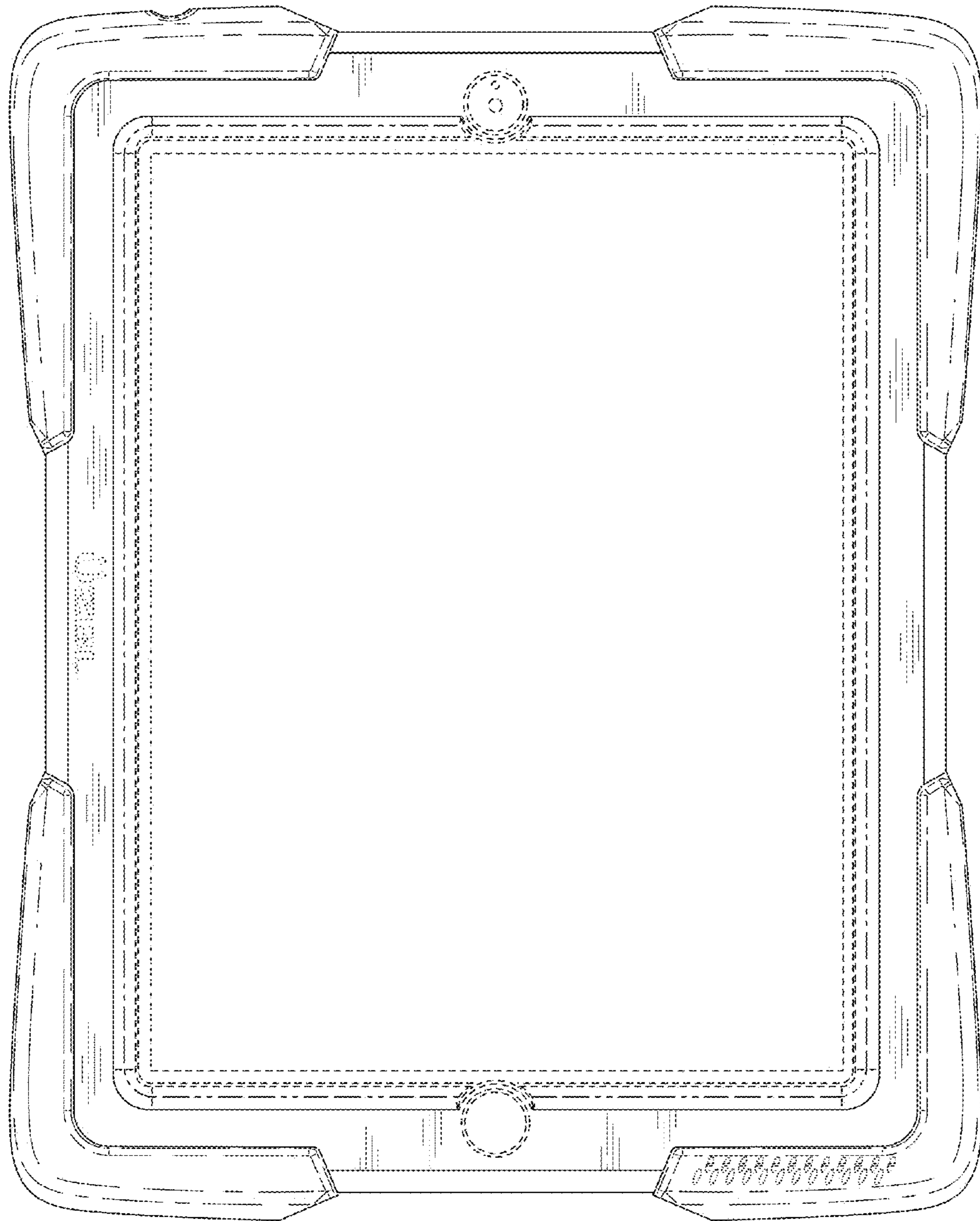


Fig. 2

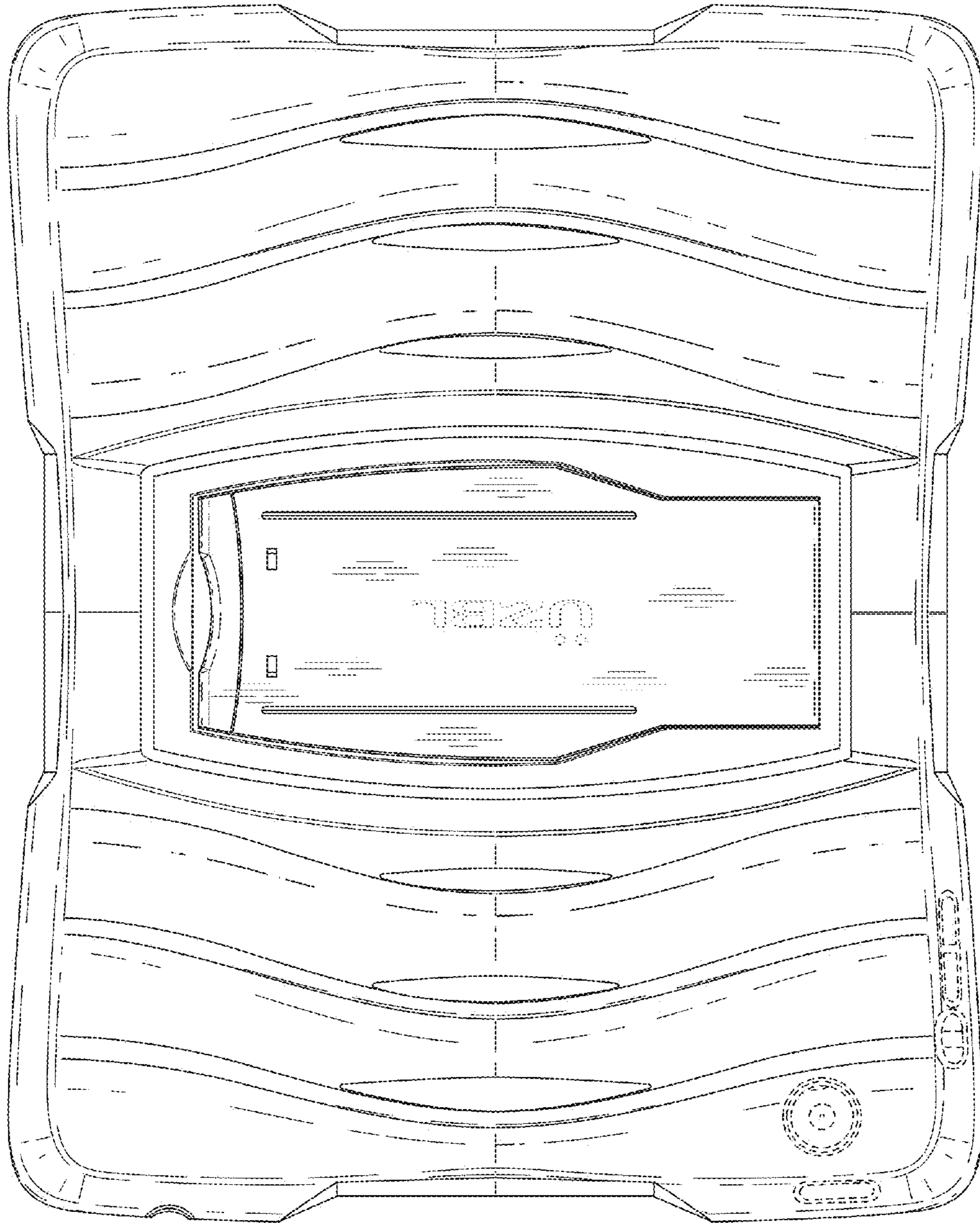


Fig. 3

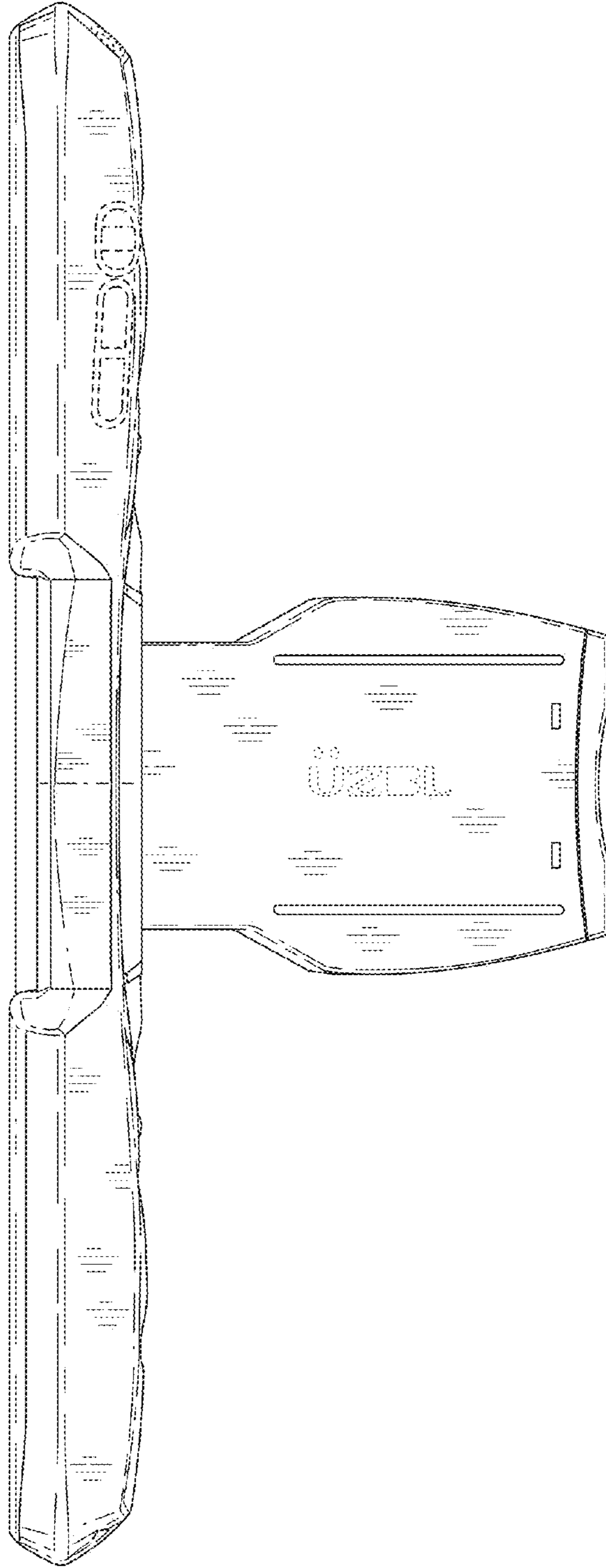


Fig. 4

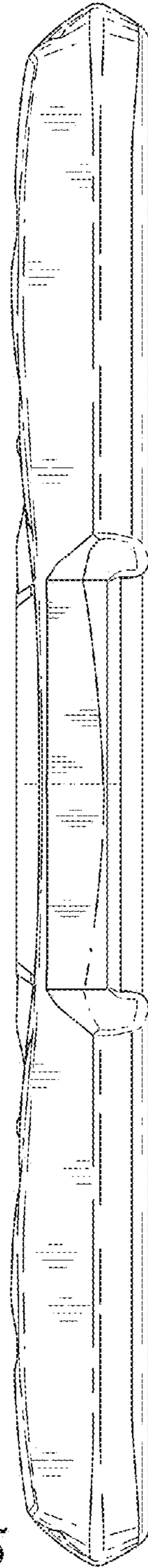


Fig. 5

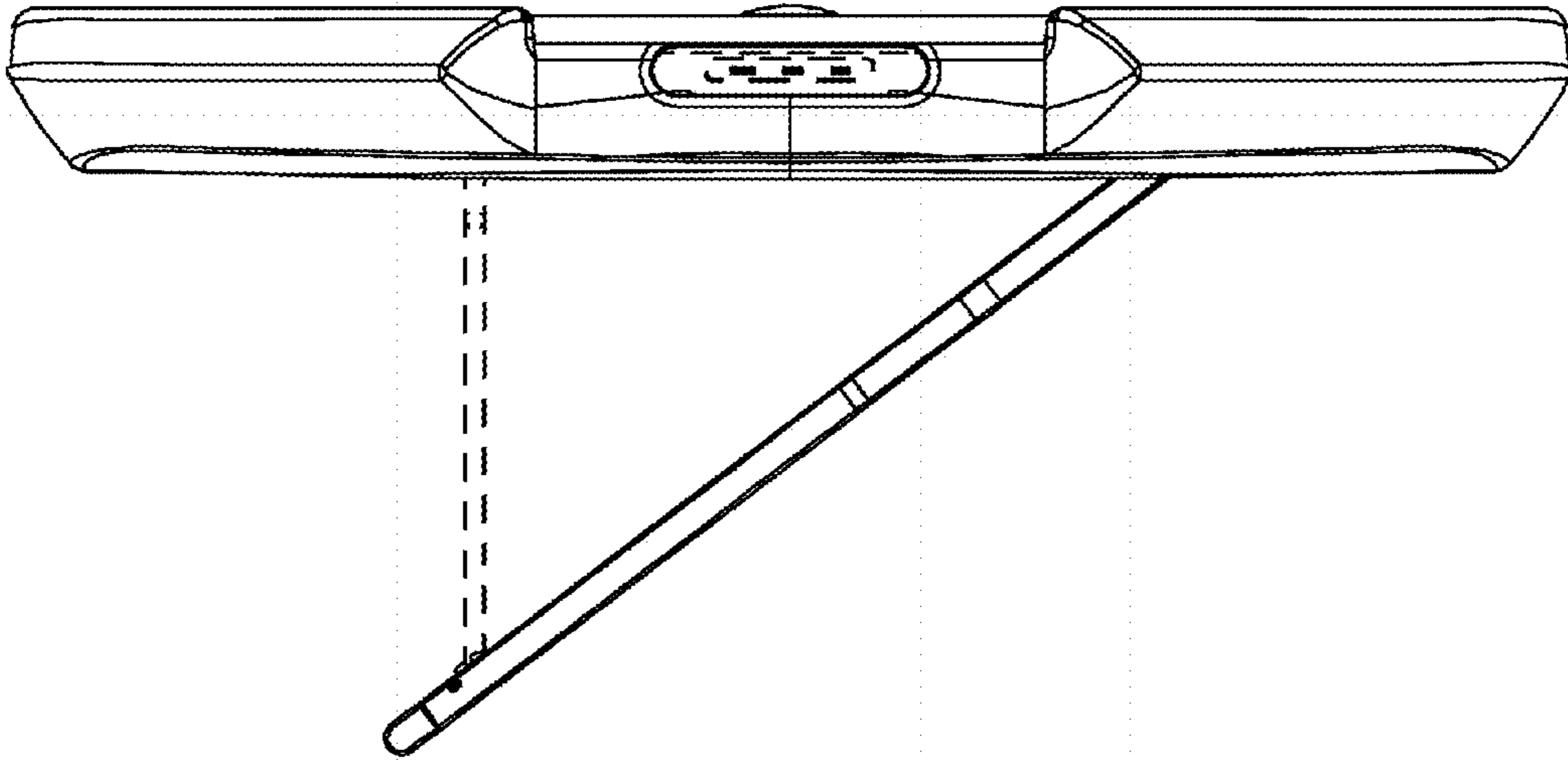


Fig. 6

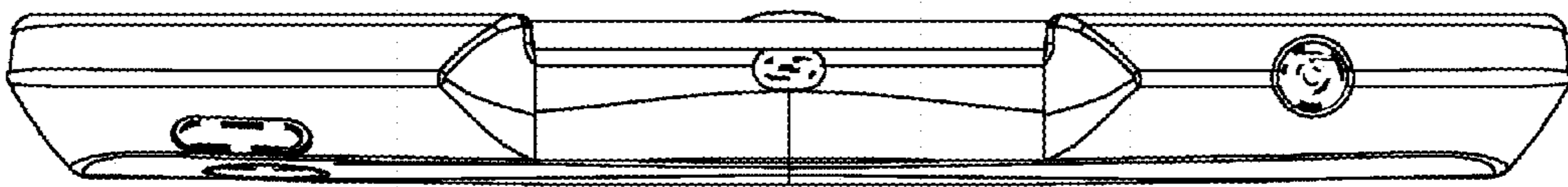


Fig. 7