



US00D763852S

(12) **United States Design Patent**
Avganim

(10) **Patent No.:** **US D763,852 S**

(45) **Date of Patent:** **** Aug. 16, 2016**

(54) **SLOT ADAPTOR BRACKET**

(71) Applicant: **Gad Alexander Avganim**, Tel Aviv (IL)

(72) Inventor: **Gad Alexander Avganim**, Tel Aviv (IL)

(**) Term: **15 Years**

(21) Appl. No.: **29/531,183**

(22) Filed: **Jun. 24, 2015**

(51) **LOC (10) Cl.** **14-02**

(52) **U.S. Cl.**

USPC **D14/433**

(58) **Field of Classification Search**

USPC D14/356, 432-434, 453, 454, 511,
D14/203.8, 209.1, 238.1, 240, 125;
439/638, 928, 105, 502; 710/303, 304;
361/679.41, 679.55, 679.56; D13/110,
D13/133, 146

CPC ... G06Q 20/202; G06Q 20/322; G06Q 20/32;
G06Q 20/20; G06Q 20/327

See application file for complete search history.

(56) **References Cited**

U.S. PATENT DOCUMENTS

D484,137 S * 12/2003 Wikel D13/133
D516,561 S * 3/2006 Tagliabue D14/433
D578,128 S * 10/2008 Lee D14/433
D601,150 S * 9/2009 Romero D14/433

D604,725 S * 11/2009 Chen D13/184
D641,023 S * 7/2011 Chen D13/147
D670,290 S * 11/2012 Dalton D14/433
D672,780 S * 12/2012 Chen D13/147
D678,285 S * 3/2013 Chen D14/433
D702,686 S * 4/2014 Gerber D14/433
D703,671 S * 4/2014 Hackett D14/433
D709,504 S * 7/2014 Breines D14/433
D727,906 S * 4/2015 Neumann D14/358
D743,398 S * 11/2015 Smith D14/433
D745,010 S * 12/2015 Kim D14/433

* cited by examiner

Primary Examiner — Austin Murphy

(74) *Attorney, Agent, or Firm* — Henry M. Sinai;
IP-Partnership

(57) **CLAIM**

The slot adaptor bracket, substantially as shown.

DESCRIPTION

FIGS. 1 and 2 are perspective views of a slot adaptor bracket, showing my new design;

FIG. 3 is a bottom elevational view of the design thereof;

FIG. 4 is a rear side elevational view of the design thereof;

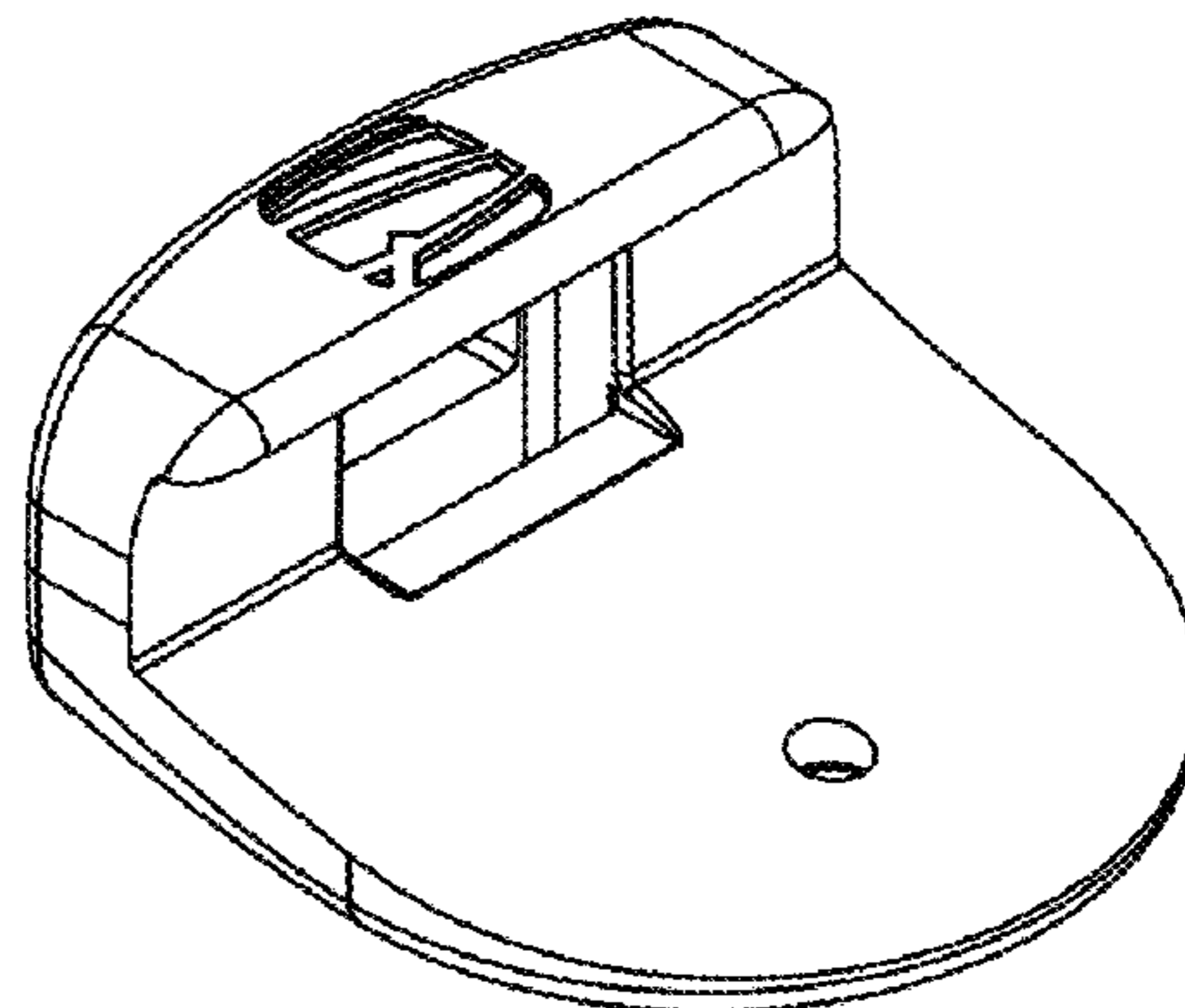
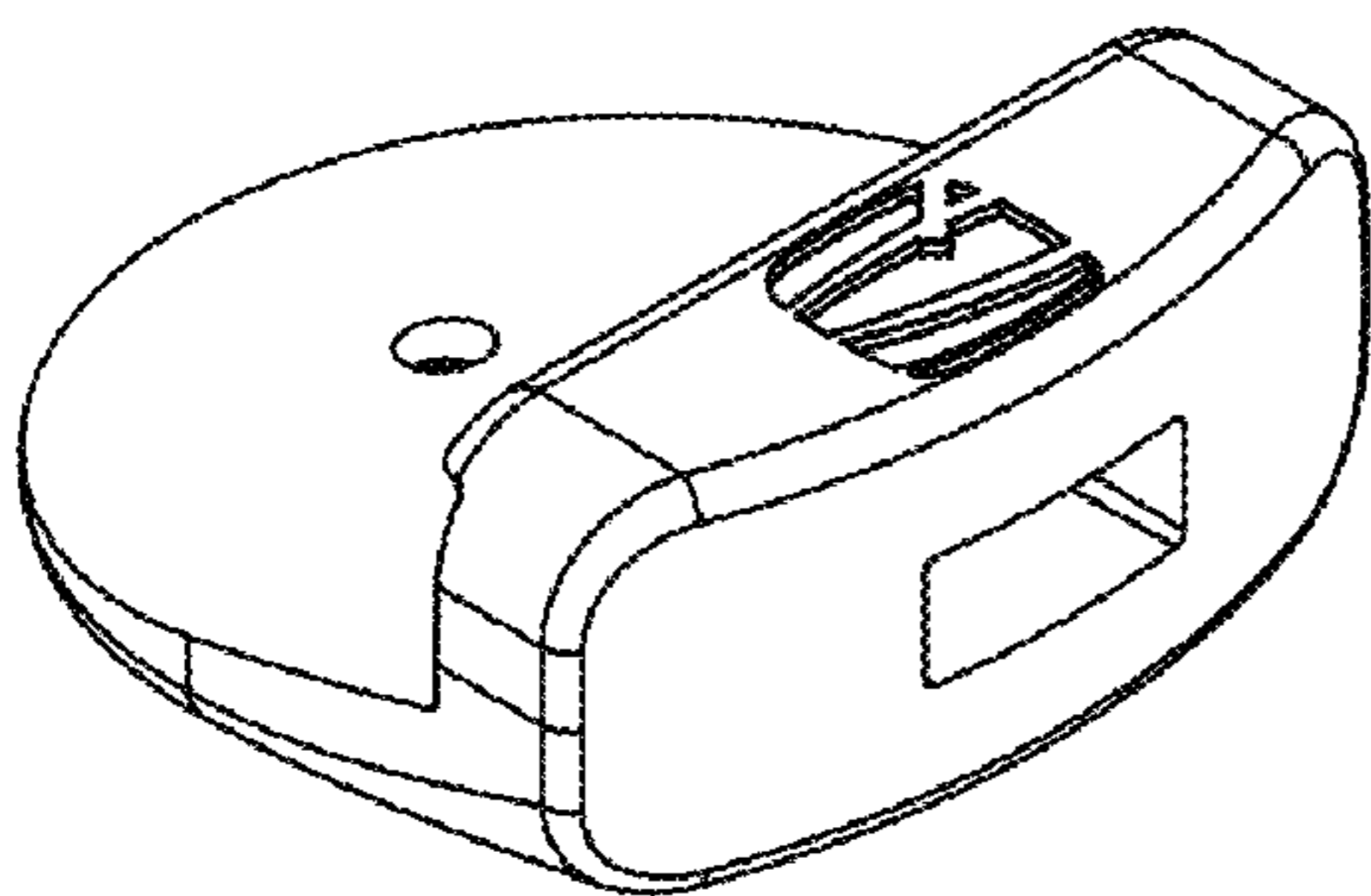
FIG. 5 is a right side elevational view of the design thereof;

FIG. 6 is a left side elevational view of the design thereof;

FIG. 7 is a front side elevational view of the design thereof; and,

FIG. 8 is a top elevational view of the design thereof.

1 Claim, 1 Drawing Sheet



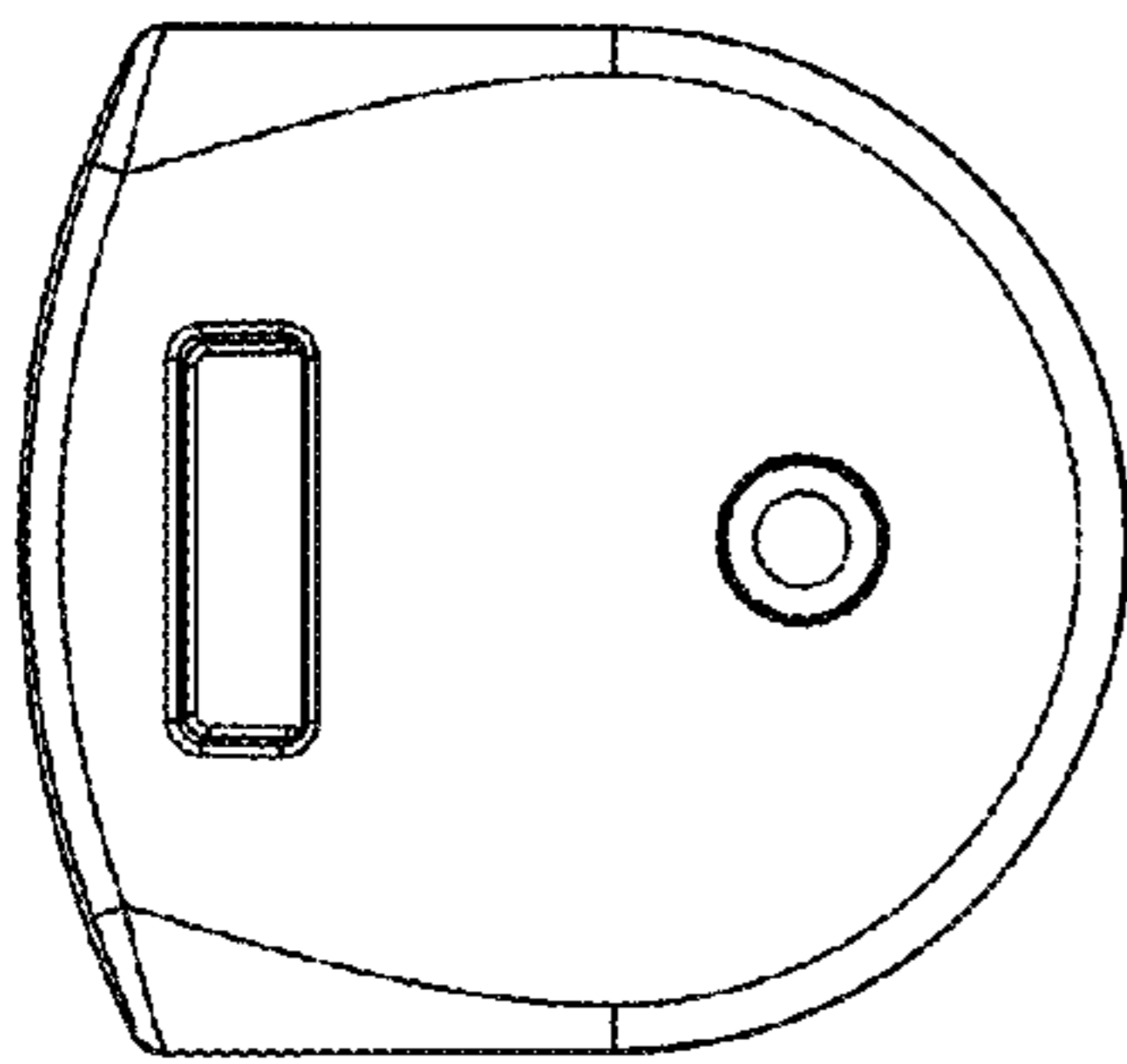


FIG. 3

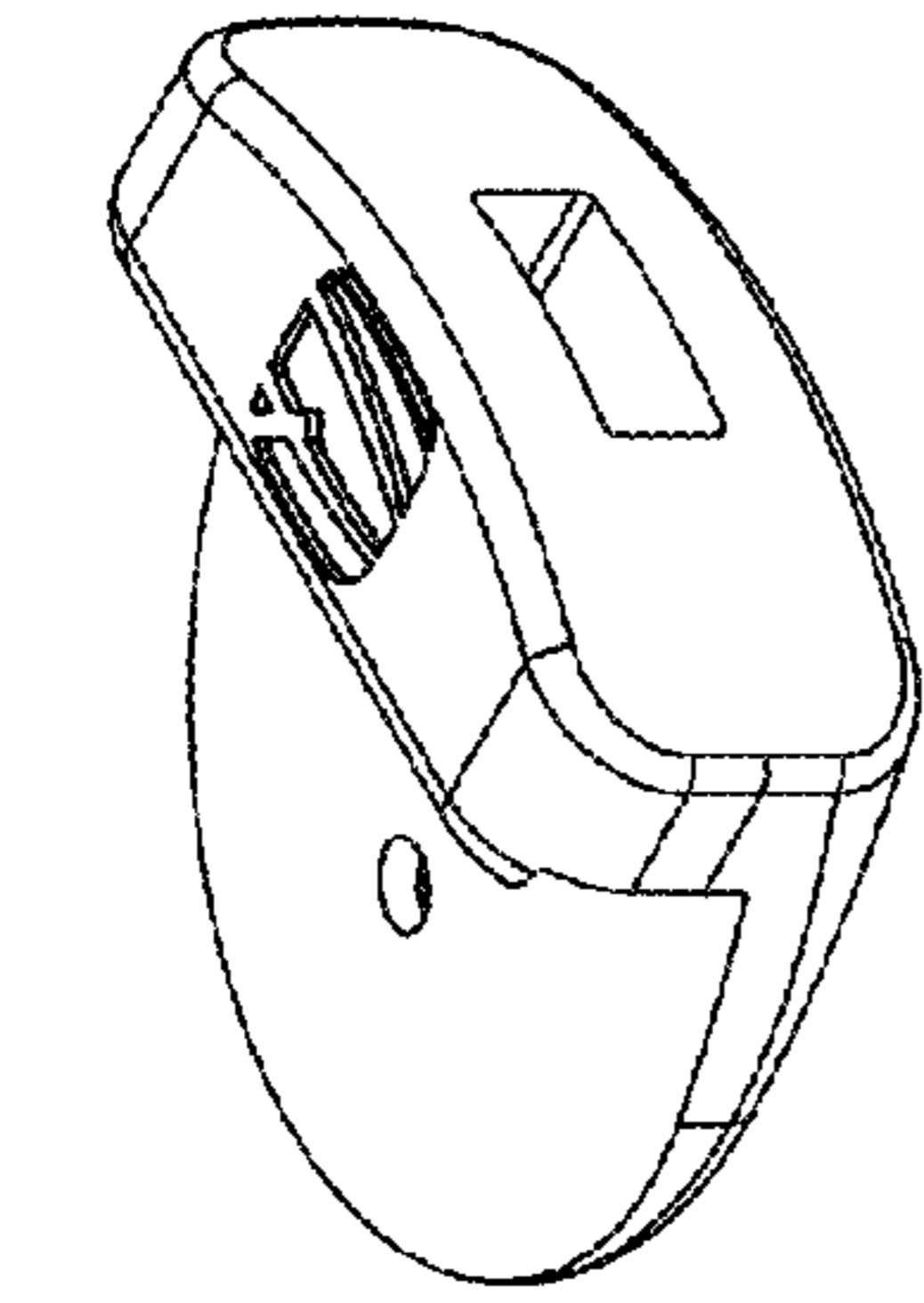


FIG. 1

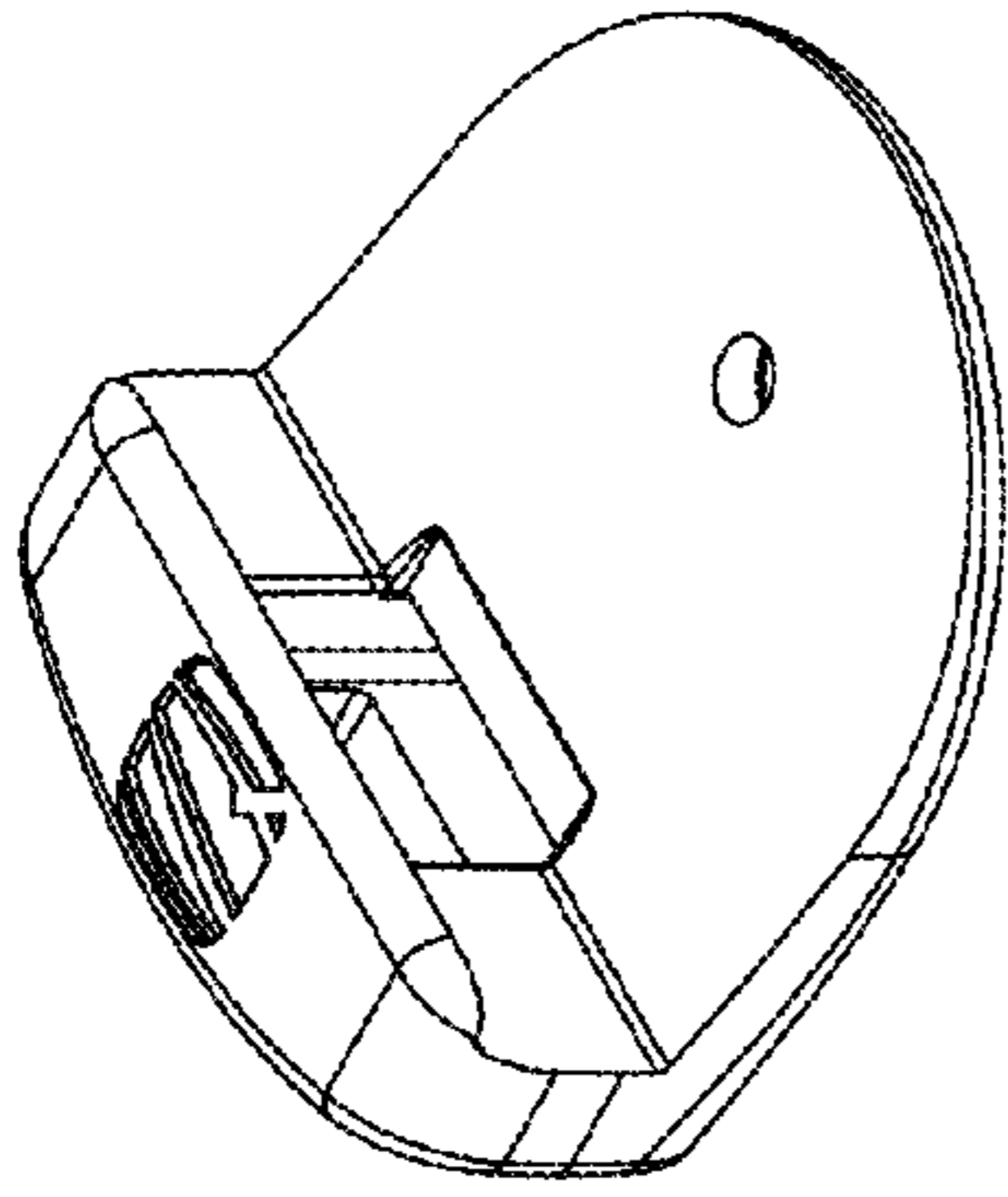


FIG. 2

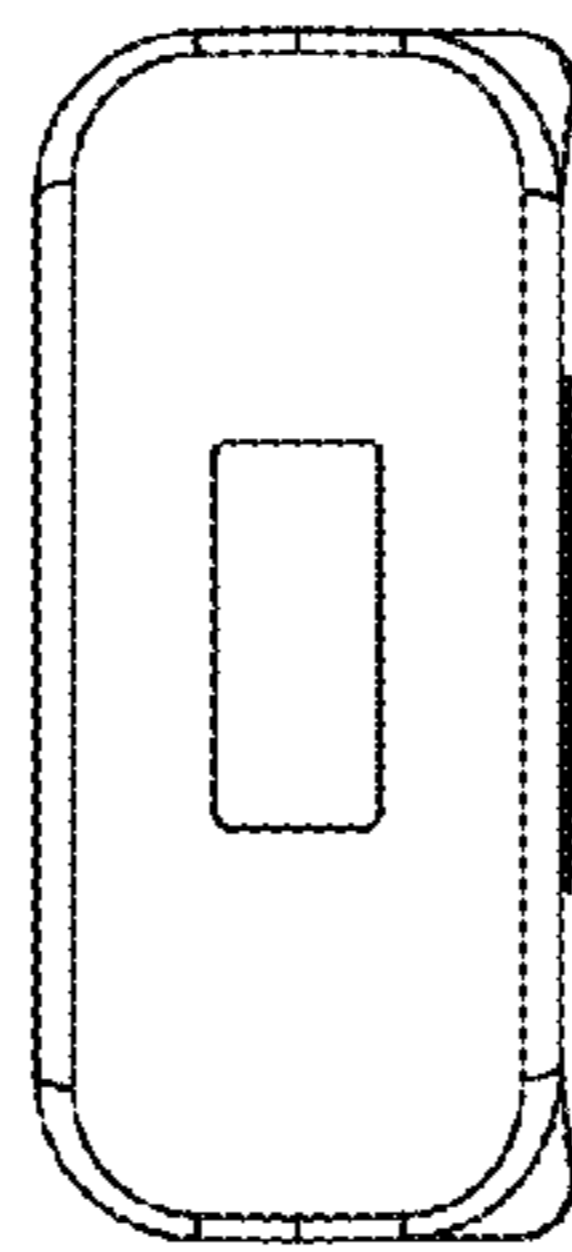


FIG. 4



FIG. 5

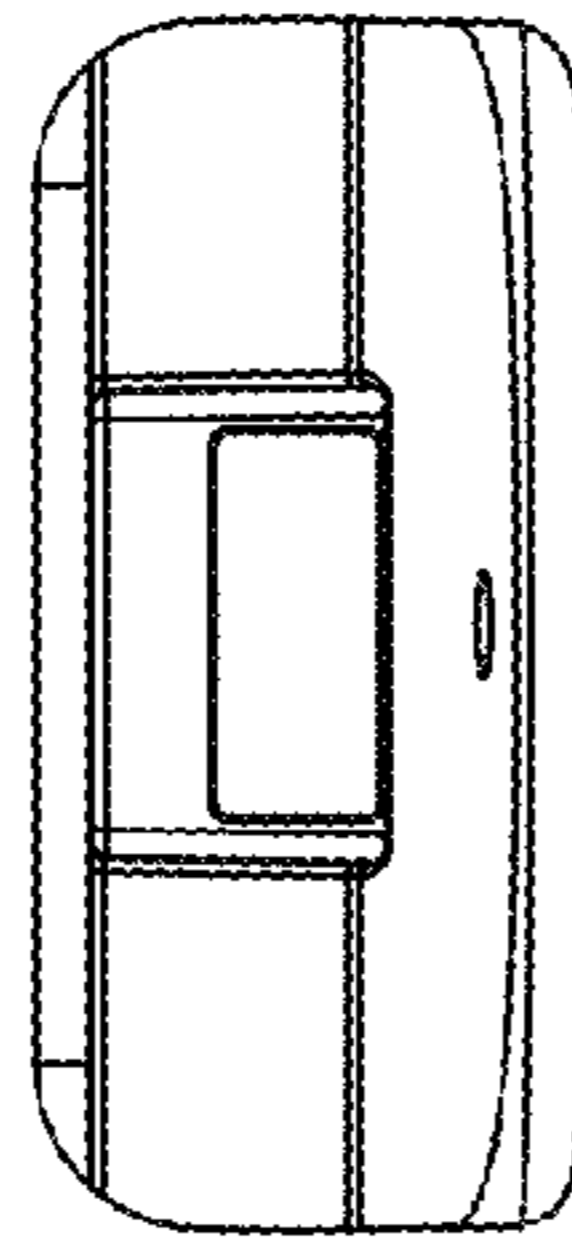


FIG. 6



FIG. 7

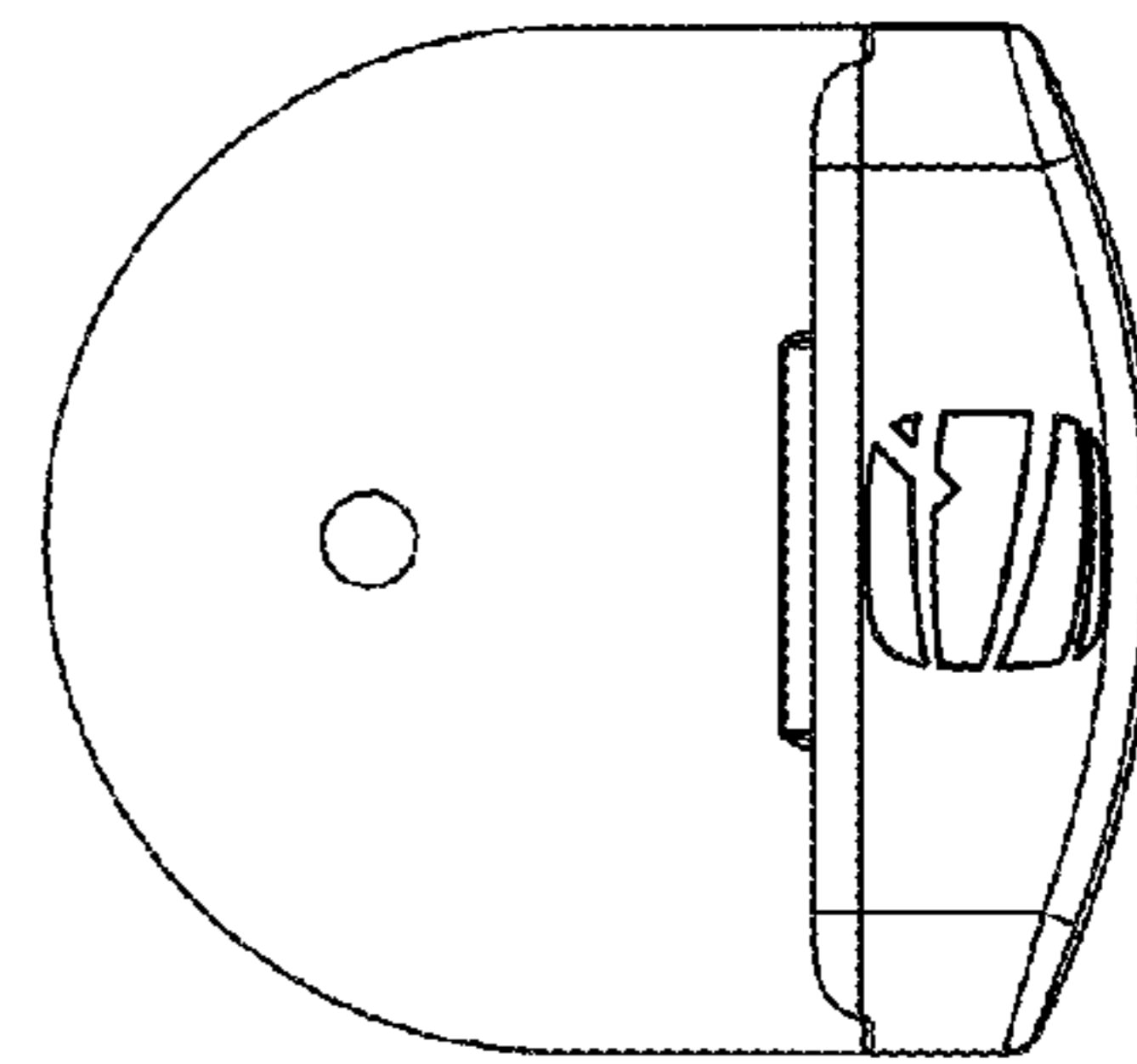


FIG. 8