

US00D763851S

(12) **United States Design Patent**
Schneider et al.

(10) **Patent No.:** **US D763,851 S**

(45) **Date of Patent:** **** Aug. 16, 2016**

(54) **OVER-THE-AIR STREAMING BOX**

7,609,222 B2 10/2009 Schneider et al.
D604,276 S 11/2009 Schneider et al.
7,839,347 B2 11/2010 Schneider et al.

(71) Applicant: **Antennas Direct, Inc.**, Ellisville, MO
(US)

(Continued)

(72) Inventors: **Richard E. Schneider**, Wildwood, MO
(US); **Corey Feit**, St. Louis, MO (US);
Corry Blackburn, St. Louis, MO (US)

OTHER PUBLICATIONS

WIDTV1 Mobile TV Receiver; http://www.voxxintlcorp.com/docs/common/WIDTV1/WIDTV1_QS.pdf; Nov. 25, 2013; 12 pages.

(Continued)

(73) Assignee: **ANTENNAS DIRECT, INC.**, Ellisville,
MO (US)

Primary Examiner — John Windmuller

(**) Term: **14 Years**

(74) *Attorney, Agent, or Firm* — Harness, Dickey & Pierce,
P.L.C.

(21) Appl. No.: **29/489,120**

(22) Filed: **Apr. 25, 2014**

(51) **LOC (10) Cl.** **14-02**

(52) **U.S. Cl.**

USPC **D14/358**; D14/238

(58) **Field of Classification Search**

USPC D14/300–302, 314, 348–370, 383–385,
D14/435, 496, 125, 135, 155, 240–242, 299,
D14/238; D3/273; D9/432; D10/65, 75, 78;
D13/103, 119, 162, 184, 199

CPC H04L 12/00; H03K 17/00; H04W 88/00;
H04W 88/005; H04W 88/02; H04W 88/08;
H04W 88/085; H04W 88/10; H04W 88/12;
H04W 88/14; H04B 1/38

See application file for complete search history.

(57) **CLAIM**

The ornamental design for an over-the-air streaming box, as
shown and described.

DESCRIPTION

FIG. 1 is a perspective view of an over-the-air streaming box,
showing our new design;

FIG. 2 is a front view of the over-the-air streaming box shown
in FIG. 1;

FIG. 3 is a back view of the over-the-air streaming box shown
in FIG. 1;

FIG. 4 is a right side view of the over-the-air streaming box
shown in FIG. 1;

FIG. 5 is a left side view of the over-the-air streaming box
shown in FIG. 1;

FIG. 6 is a top view of the over-the-air streaming box shown
in FIG. 1; and,

FIGS. 7, 8, and 9 are perspective views of the over-the-air
streaming box shown in FIG. 1 and showing example high
definition television (HDTV) antennas that may be used with
the over-the-air streaming box.

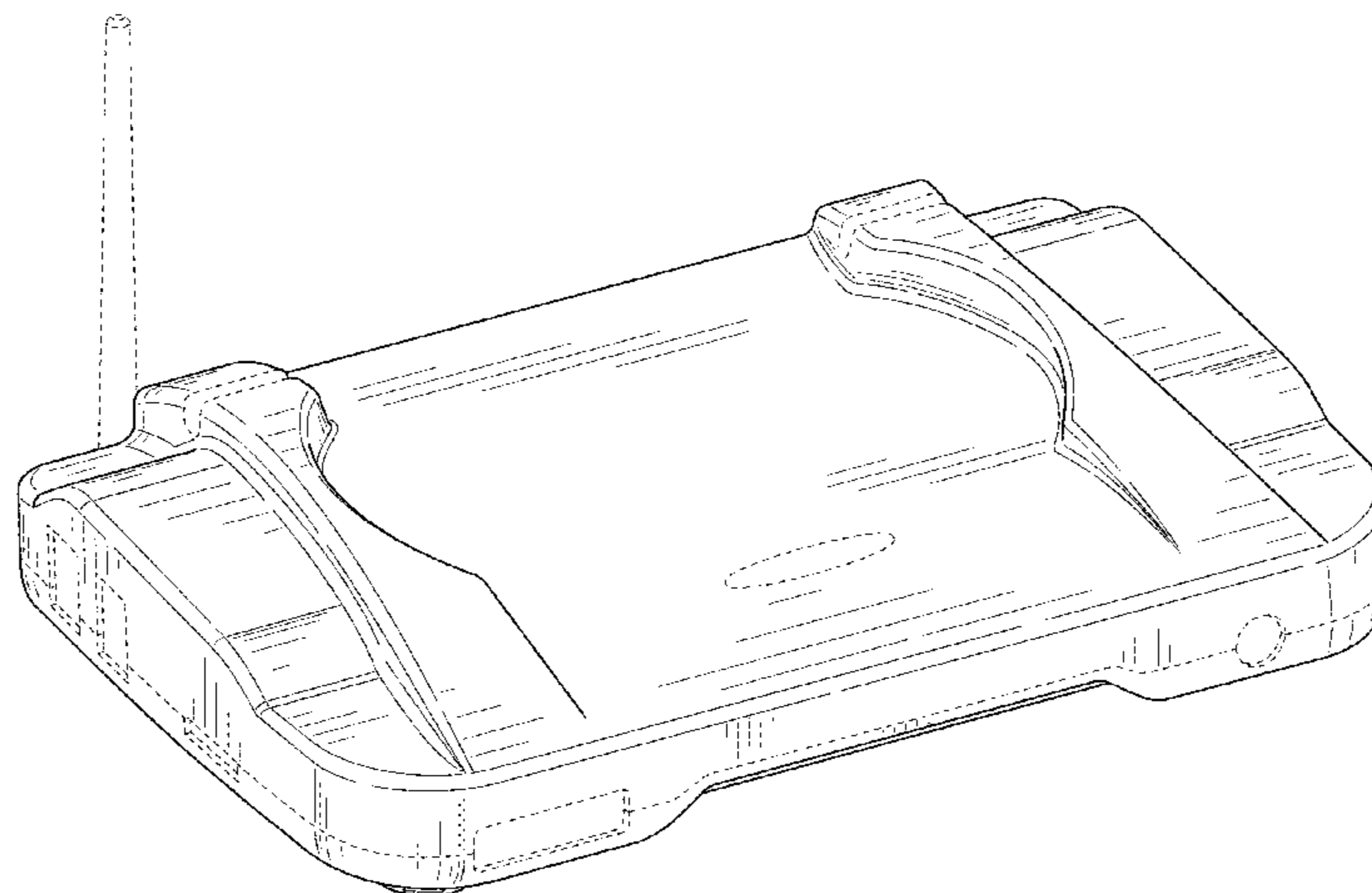
The broken lines in the figures depict portions of the over-
the-air streaming box and environment that form no part of
the claimed design.

(56) **References Cited**

U.S. PATENT DOCUMENTS

D420,362 S *	2/2000	Pedraza	D14/242
D472,235 S *	3/2003	Chen	D14/240
D480,390 S *	10/2003	Miao	D14/240
D490,424 S *	5/2004	Yamanashi	D14/358
D492,946 S *	7/2004	Loiske	D14/240
D494,156 S *	8/2004	Chen	D14/240
D596,177 S *	7/2009	Steele	D14/358
D598,433 S	8/2009	Schneider et al.		
D598,434 S	8/2009	Schneider et al.		

1 Claim, 7 Drawing Sheets



(56)

References Cited

OTHER PUBLICATIONS

U.S. PATENT DOCUMENTS

7,990,335 B2 8/2011 Schneider et al.
D666,178 S 8/2012 Schneider et al.
D671,534 S * 11/2012 Huang D14/242
8,368,607 B2 2/2013 Schneider et al.
D680,534 S * 4/2013 Tzeng D14/358
D686,207 S * 7/2013 Lewis D14/240
D689,483 S * 9/2013 Wu D14/240
D731,470 S * 6/2015 Terasawa D14/240
2013/0162487 A1 6/2013 Schneider et al.

Antenna Compatible DVR/TiVo; <http://www.tivo.com/discover/antenna> Jul. 2013; 2 pages.

Channel Master CM 7400 HD Antenna DVR with no subscription fees; http://www.channelmasterstore.com/HD_DVR_with_no_subscription_p/cm7400.htm; Copyright 2014; 6 pages.

* cited by examiner

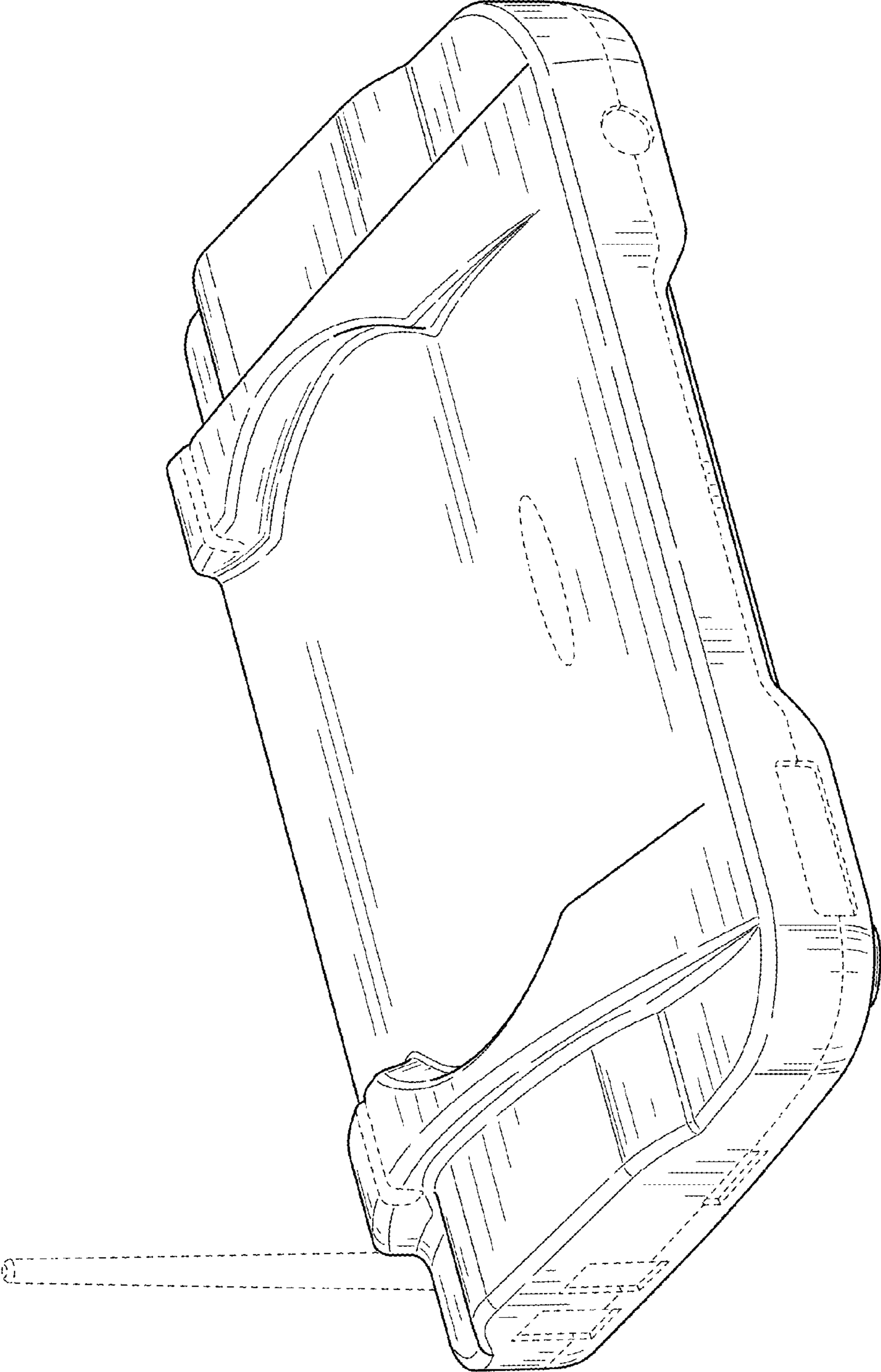


FIG. 1

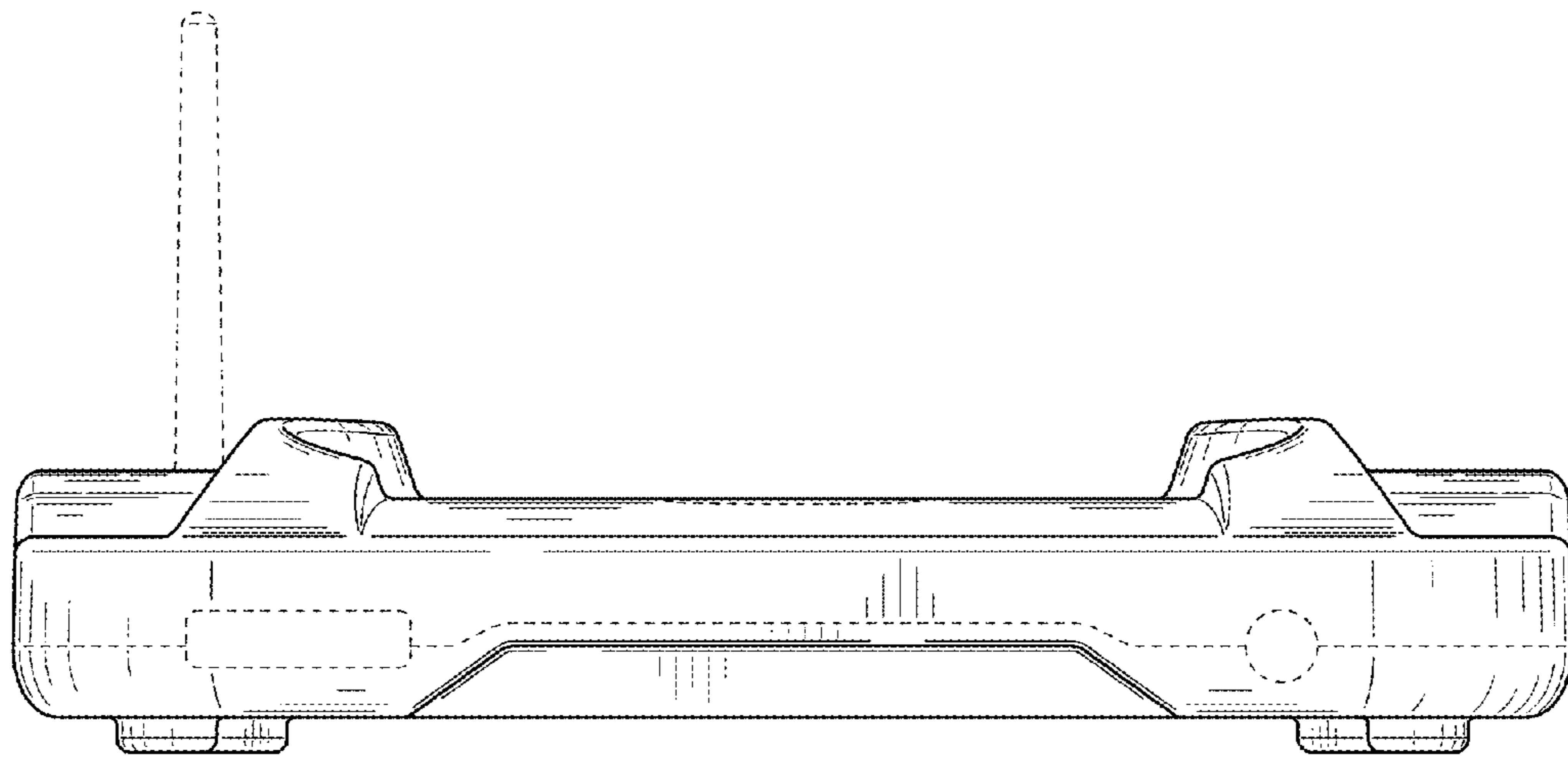


FIG. 2

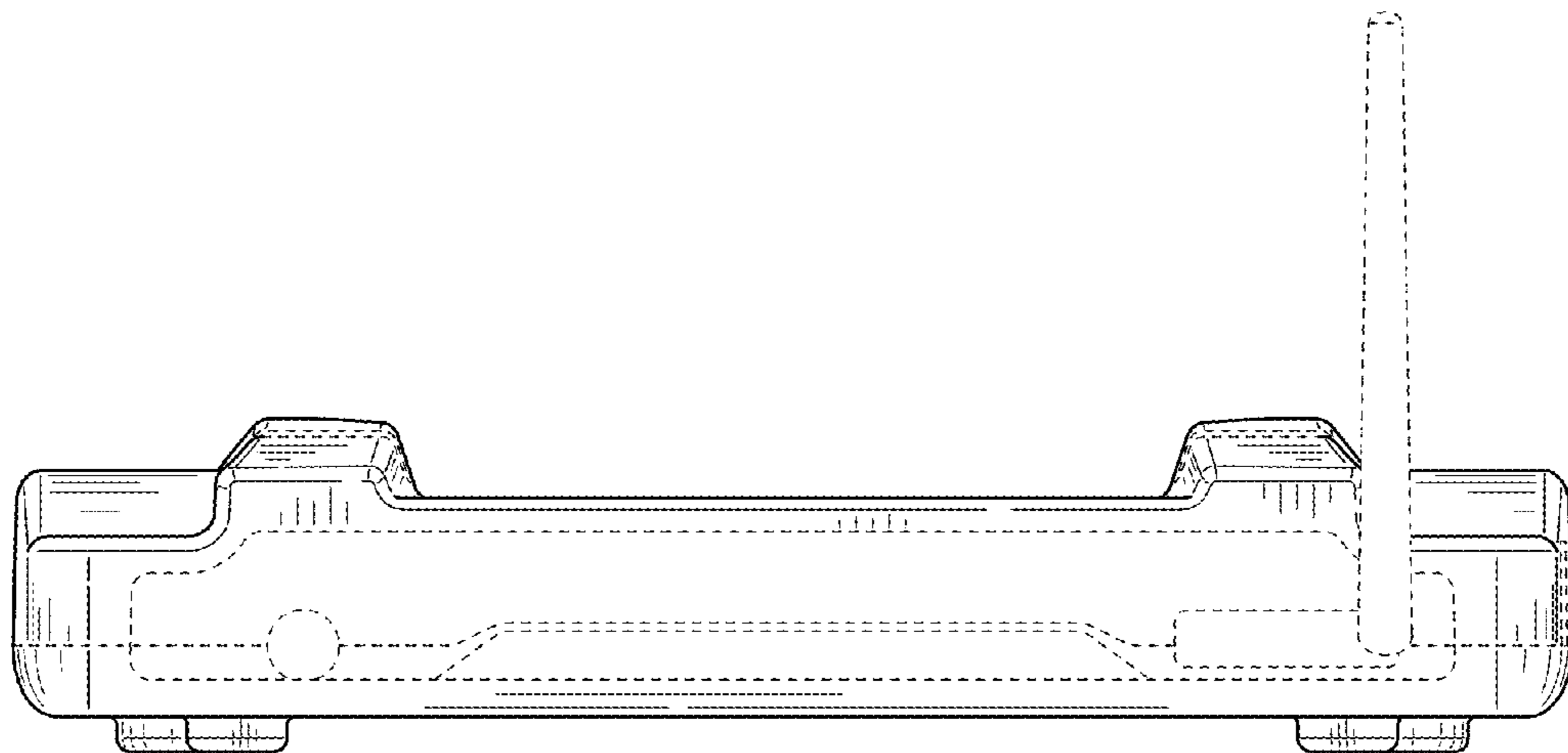


FIG. 3

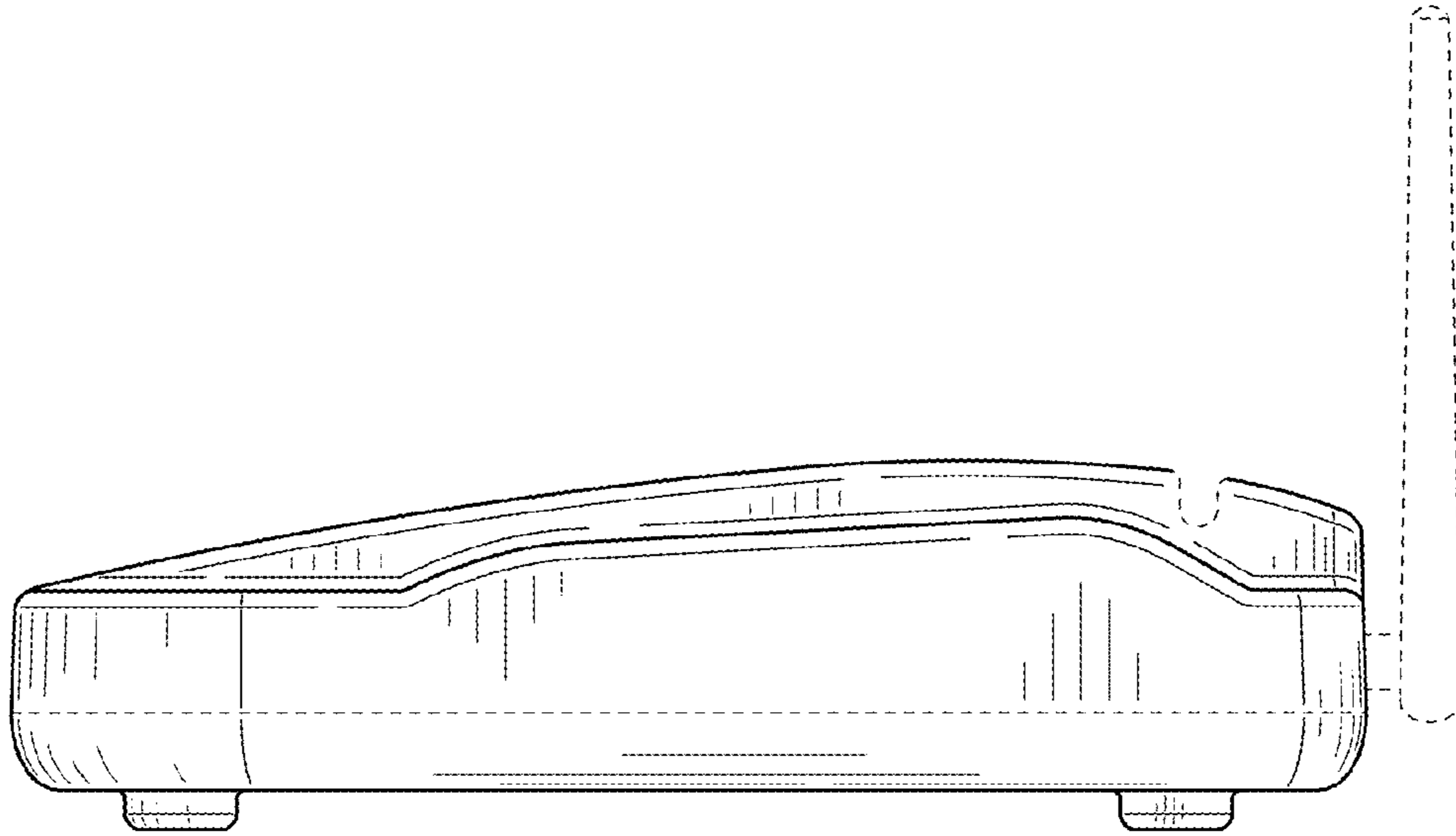


FIG. 4

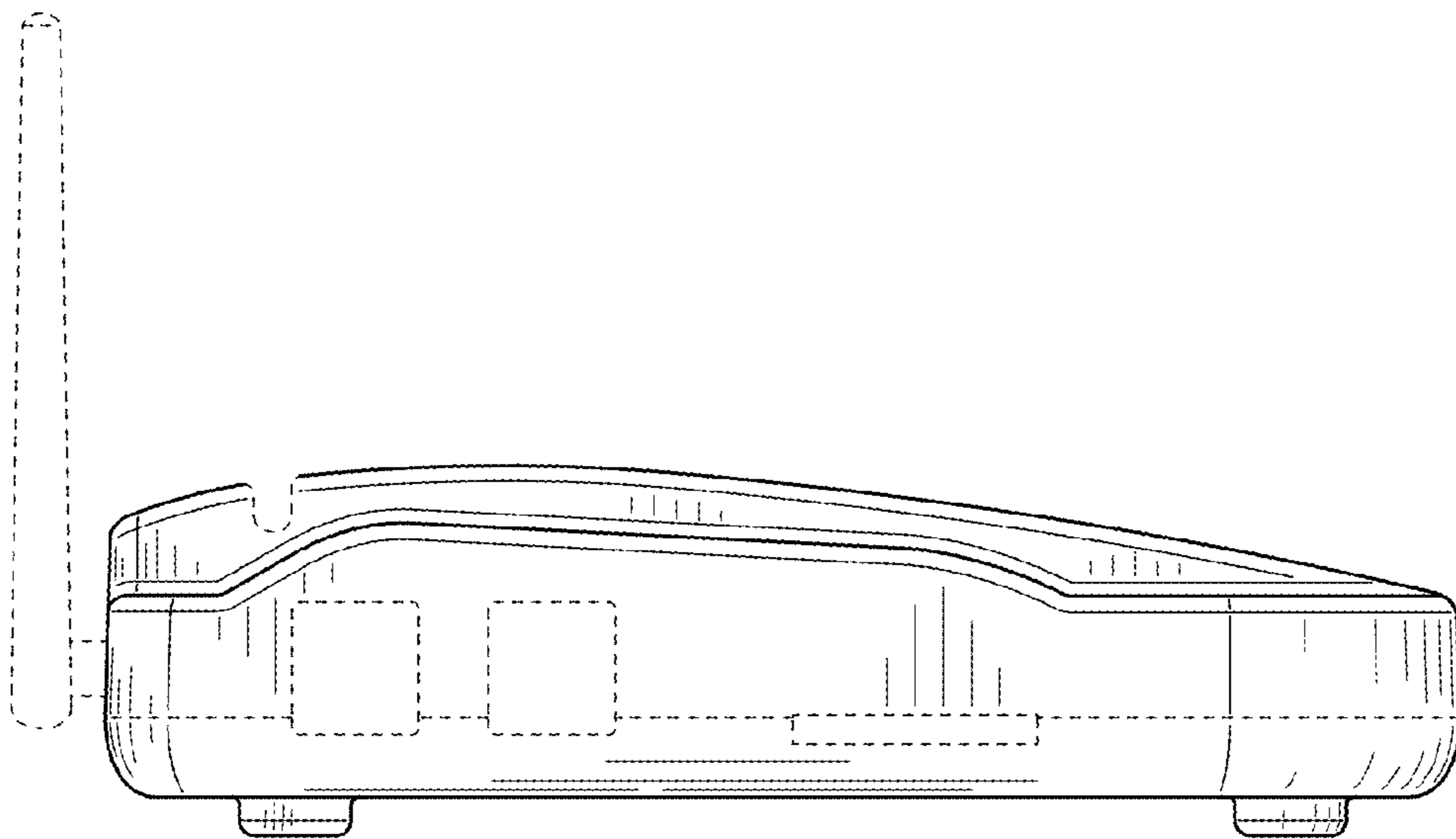


FIG. 5

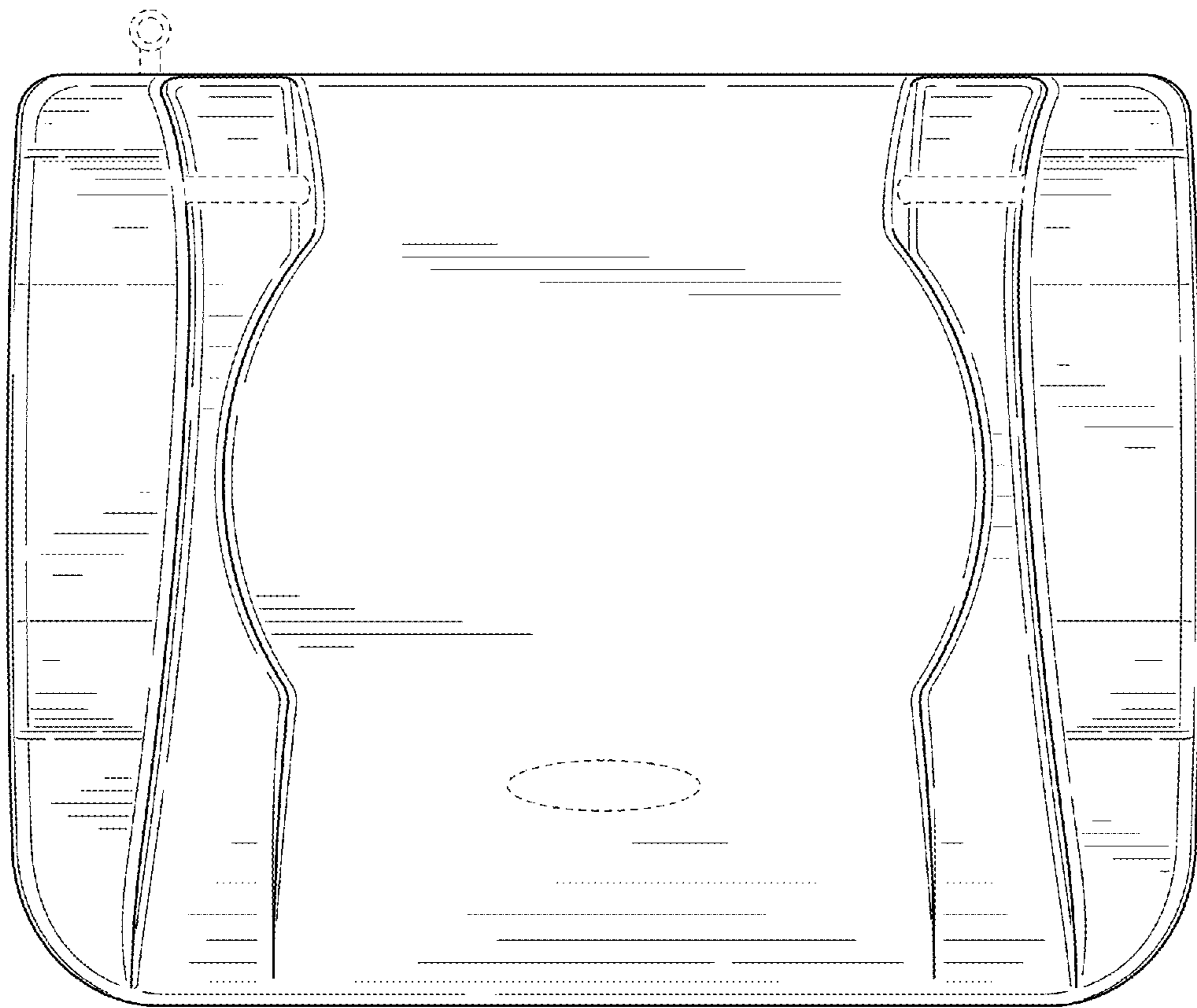


FIG. 6

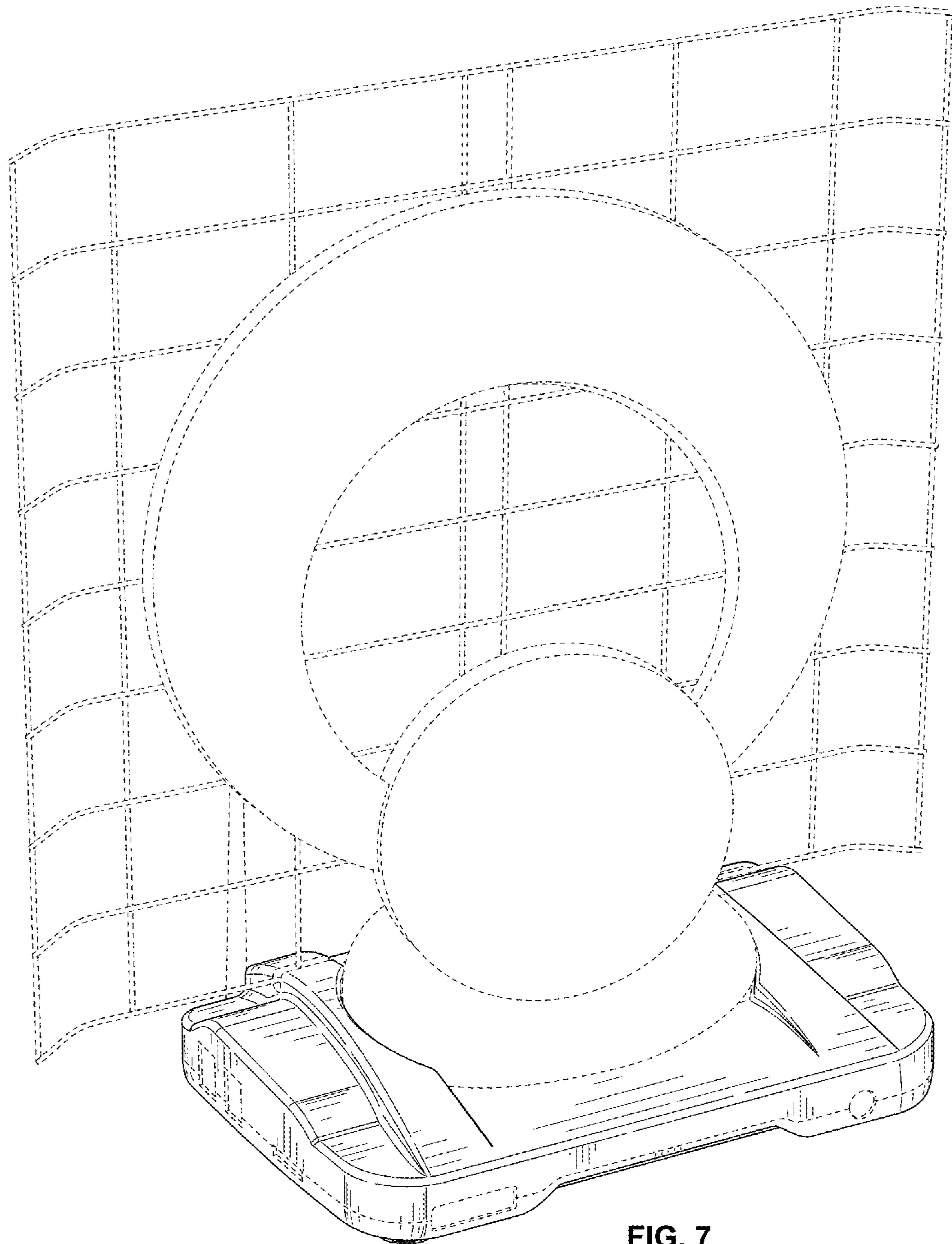


FIG. 7

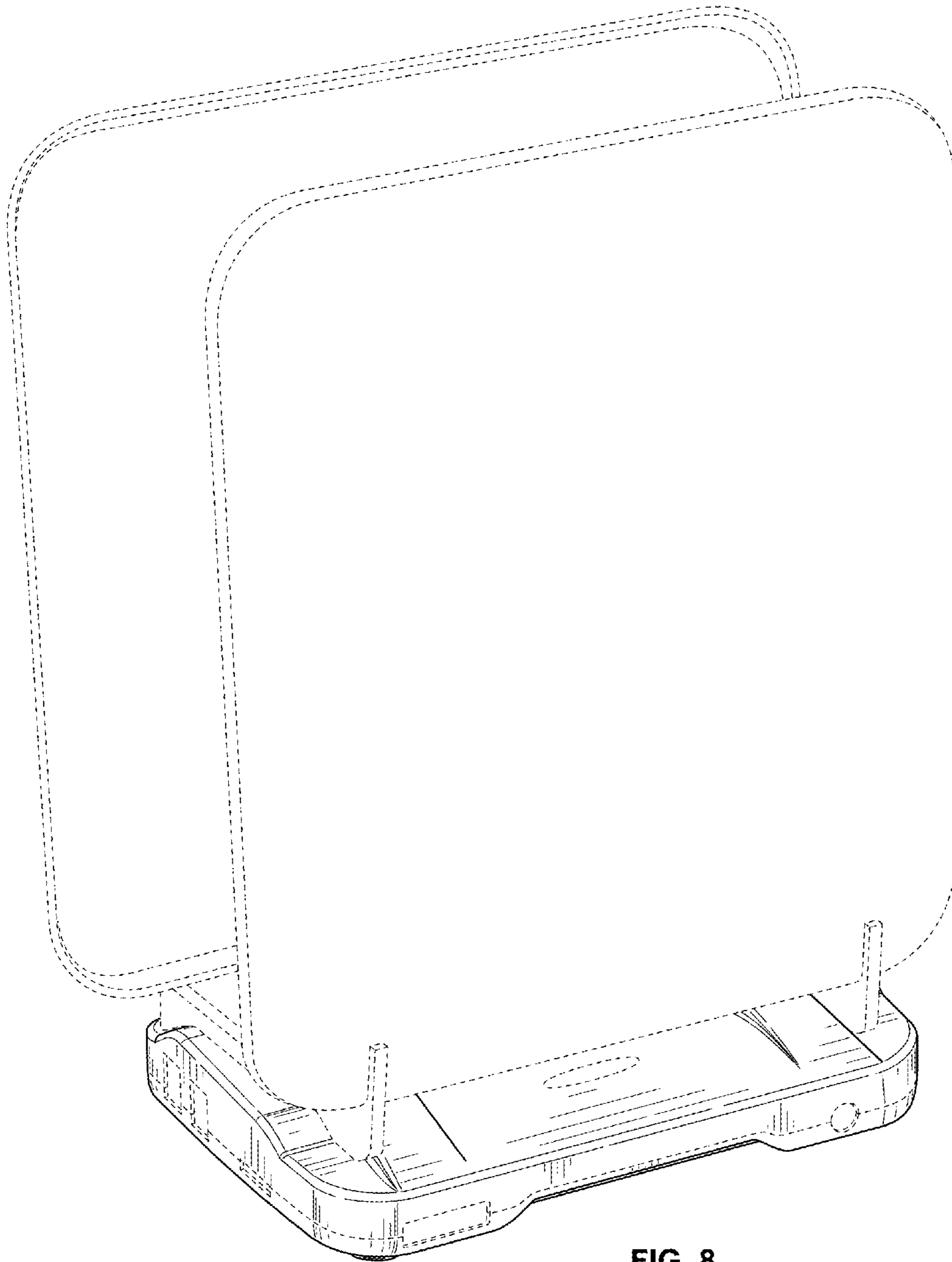


FIG. 8

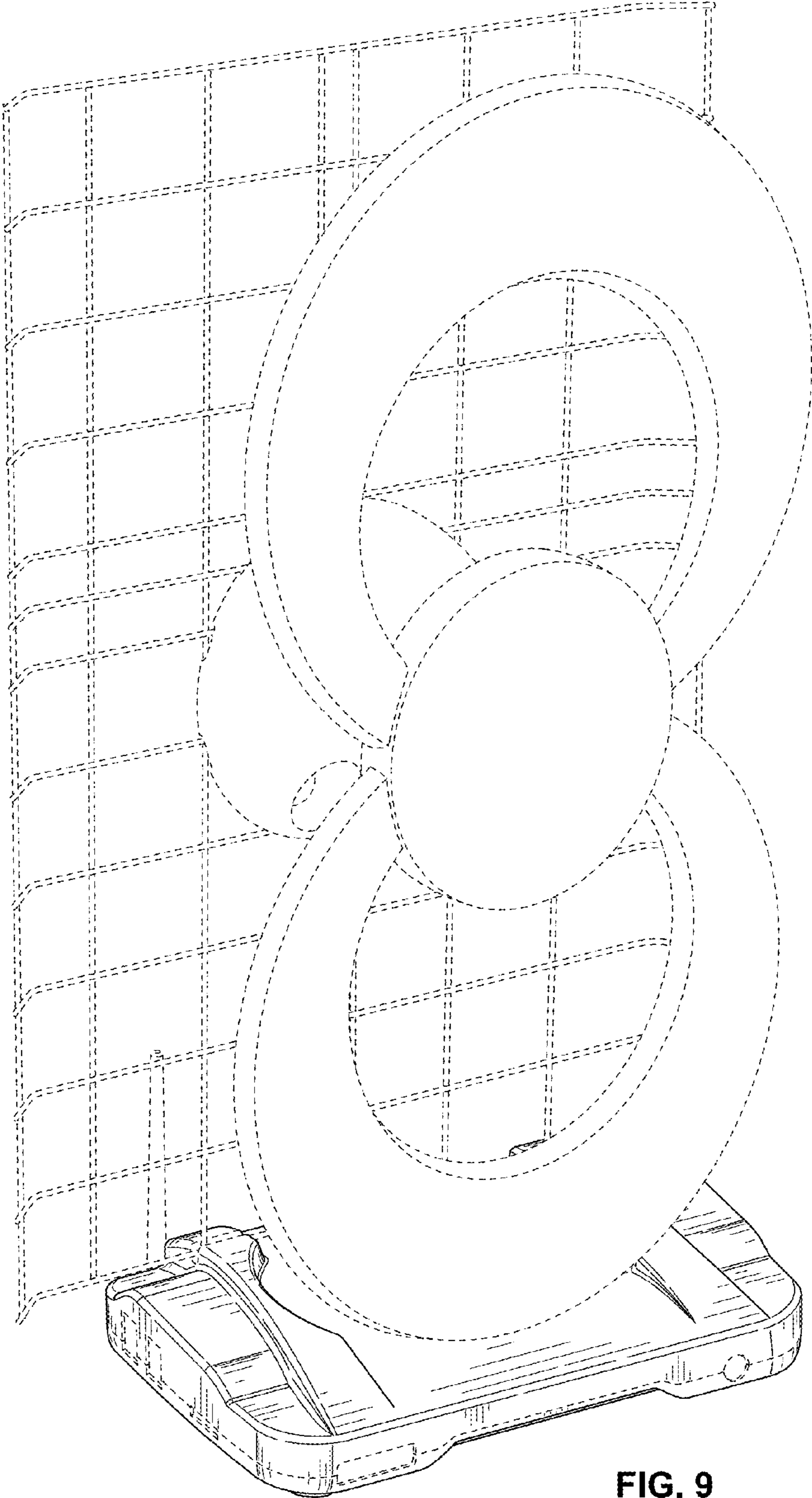


FIG. 9