



US00D763850S

(12) **United States Design Patent**
Aumiller et al.

(10) **Patent No.:** **US D763,850 S**
(45) **Date of Patent:** **** Aug. 16, 2016**

(54) **ELECTRONIC DEVICE**

(71) Applicant: **SAMSUNG ELECTRONICS CO., LTD.**, Suwon-si (KR)

(72) Inventors: **Curtis Aumiller**, San Jose, CA (US);
Pranav Mistry, Cupertino, CA (US);
Chengyuan Wei, Dalian (CN)

(73) Assignee: **SAMSUNG ELECTRONICS CO., LTD.**, Suwon-si (KR)

(**) Term: **14 Years**

(21) Appl. No.: **29/453,910**

(22) Filed: **May 3, 2013**

Related U.S. Application Data

(63) Continuation of application No. 29/449,802, filed on Mar. 15, 2013, now Pat. No. Des. 709,875.

(51) **LOC (10) Cl.** **14-02**

(52) **U.S. Cl.**
USPC **D14/344**

(58) **Field of Classification Search**
USPC D14/315–318, 341–347, 420, 426, 129,
D14/130, 496, 137, 138 R, 138 AA, 138 C,
D14/138 G, 147, 203.1, 203.3, 204.4, 203.7,
D14/218, 248, 388, 389; D10/50, 65, 104.1;
D21/329, 330; D6/308, 310
CPC ... G06F 3/0485; G06F 3/0488; G06F 1/1613;
G06F 1/1624; G06F 1/1626; G06F 1/165;
H04M 1/0202; H04M 1/0264; H04M 1/0214;
H04M 1/0279; H04M 1/0281; H04M 1/0283;
H04M 1/72544

See application file for complete search history.

(56) **References Cited**

U.S. PATENT DOCUMENTS

D181,996 S * 1/1958 Ornas, Jr. D12/190
2,958,810 A * 11/1960 Balf G01R 11/04
200/51.1

D215,117 S * 9/1969 Stahl D26/28
3,712,271 A * 1/1973 Greathouse A61N 5/06
119/770
4,700,981 A * 10/1987 Seyler B21D 39/20
156/295
D298,242 S * 10/1988 Watanabe D14/138 G

(Continued)

OTHER PUBLICATIONS

etrailer.com, announced Jan. 23, 2012 [online], [site visited Nov. 5, 2015]. Available from Internet, URL:<<https://www.etrailer.com/Trailer%ADLights/Optronics/BUL78CB.html>>.*

(Continued)

Primary Examiner — Barbara Fox

Assistant Examiner — Dana K Weiland

(74) *Attorney, Agent, or Firm* — Sughrue Mion, PLLC

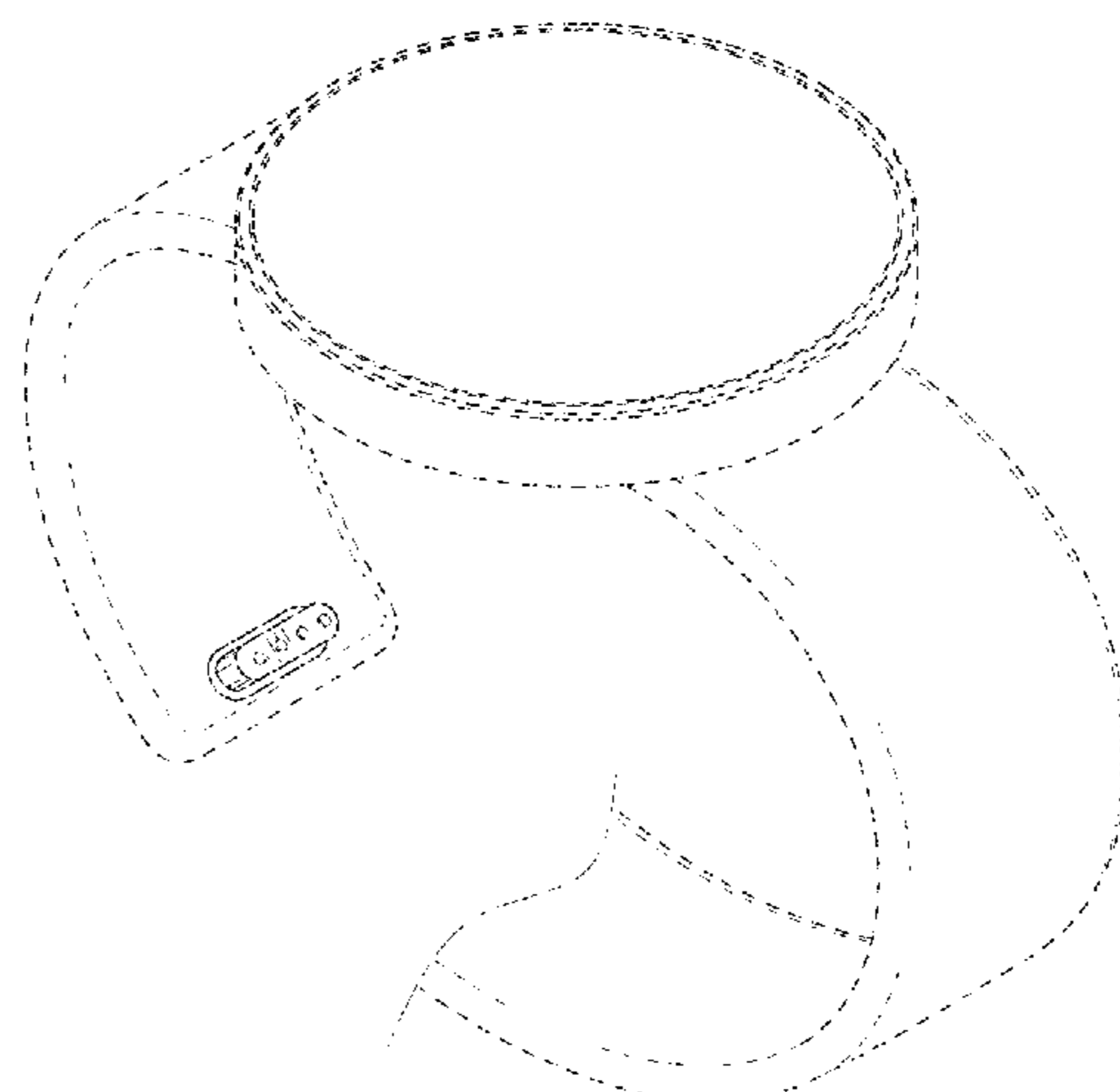
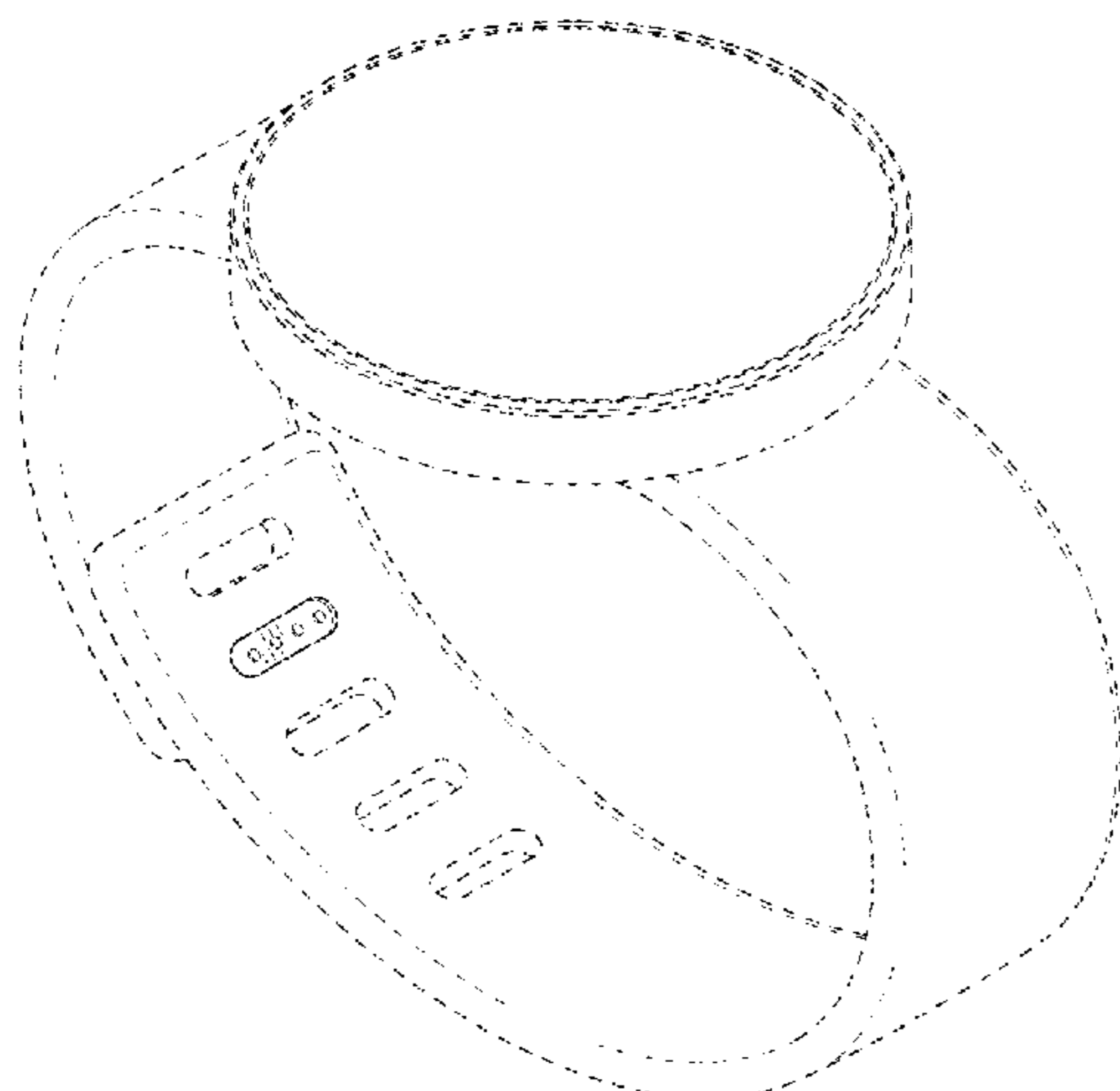
(57) **CLAIM**

The ornamental design for an electronic device, as shown and described.

DESCRIPTION

FIG. 1 is a top front perspective view of an electronic device showing our new design;
FIG. 2 is a front elevational view thereof;
FIG. 3 is a rear elevational view thereof;
FIG. 4 is a left side elevational view thereof;
FIG. 5 is a right side elevational view thereof;
FIG. 6 is a top plan view thereof;
FIG. 7 is a bottom plan view thereof;
FIG. 8 is an additional top front perspective view thereof with the electronic device shown at a different direction from that of FIG. 1; and,
FIG. 9 is an additional top front perspective view thereof with the electronic device shown in an alternate position and with the terminal portion of the band partially truncated.
The broken lines shown in the drawings represent portions of the electronic device that form no part of the claimed design.

1 Claim, 4 Drawing Sheets



(56)

References Cited

U.S. PATENT DOCUMENTS

4,801,957 A * 1/1989 Vandemoere G03B 15/05
396/195
D315,916 S * 4/1991 Leonard D16/200
D332,109 S * 12/1992 Kohno D16/200
5,361,169 A * 11/1994 Deal B63C 11/02
359/517
D364,850 S * 12/1995 Estrada D10/65
D366,217 S * 1/1996 Dudley D10/46
D373,317 S * 9/1996 Feng D10/104.1
5,572,082 A * 11/1996 Sokol H03H 9/0514
310/348
5,646,820 A * 7/1997 Honda G06F 1/1616
361/679.6
5,732,135 A * 3/1998 Weadon H04M 1/0216
16/229
5,805,474 A * 9/1998 Danielson G06F 1/1626
361/679.56
5,877,953 A * 3/1999 Clendenen G06F 1/1626
700/17
D416,253 S * 11/1999 Hibino D14/138 G
6,754,507 B2 * 6/2004 Takagi H04M 1/0216
379/433.01
D530,295 S * 10/2006 Chung D14/138 AD
D553,038 S * 10/2007 Robinson D10/104.1
D554,098 S * 10/2007 Lee D14/138 AD
D558,761 S * 1/2008 Viduya D14/356
D561,782 S * 2/2008 Kim D14/496
D565,569 S * 4/2008 Viduya D14/356
D583,299 S * 12/2008 Manson D12/421
D585,384 S * 1/2009 Andre D13/146
7,715,192 B2 * 5/2010 Takahama H04M 1/0202
361/679.56
D637,094 S * 5/2011 Cobbett D10/32
8,408,436 B2 * 4/2013 Berry A63B 24/00
224/176

D709,873 S * 7/2014 Aumiller D14/344
D709,875 S * 7/2014 Aumiller D14/344
8,776,418 B1 * 7/2014 Martinez G06F 15/00
150/147
D718,712 S * 12/2014 Aumiller D13/108
D730,361 S * 5/2015 Akana D14/439
9,064,654 B2 * 6/2015 Whitt, III H01H 13/704
D740,750 S * 10/2015 Mayden D13/108
D741,333 S * 10/2015 Aoyagi D14/432
D749,002 S * 2/2016 Park D10/70
2005/0255897 A1 * 11/2005 Lee H04M 1/0239
455/575.4
2006/0281501 A1 * 12/2006 Zuo H04M 1/0262
455/575.1
2007/0099700 A1 * 5/2007 Solomon G07F 17/3211
463/34
2008/0074329 A1 * 3/2008 Caballero H01Q 1/088
343/702
2008/0291641 A1 * 11/2008 Sheng G06F 1/1658
361/726
2013/0061412 A1 * 3/2013 Vashi A46B 5/0095
15/106
2013/0219960 A1 * 8/2013 Gerard-Goddet A44C 5/0053
63/3.2
2014/0107493 A1 * 4/2014 Yuen H04W 4/027
600/473
2014/0139637 A1 * 5/2014 Mistry H04N 5/2252
348/46
2014/0156196 A1 * 6/2014 Martinez A61B 5/681
702/19

OTHER PUBLICATIONS

tizenappdev.com, announced Nov. 2, 2015 [online], [site visited Nov. 5, 2015]. Available from Internet, URL:<<http://blog.tizenappdev.com/>>.*

* cited by examiner

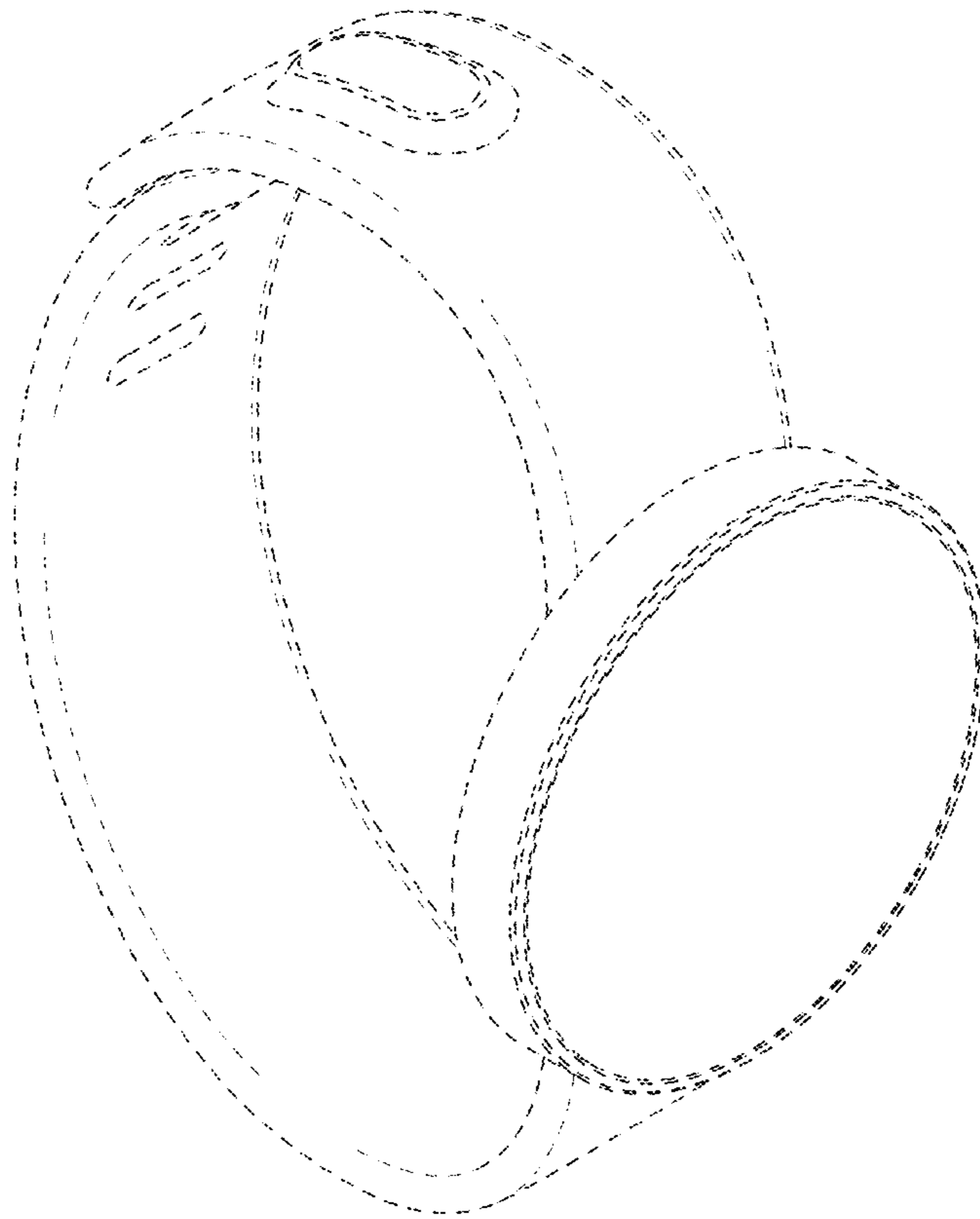


FIG. 1

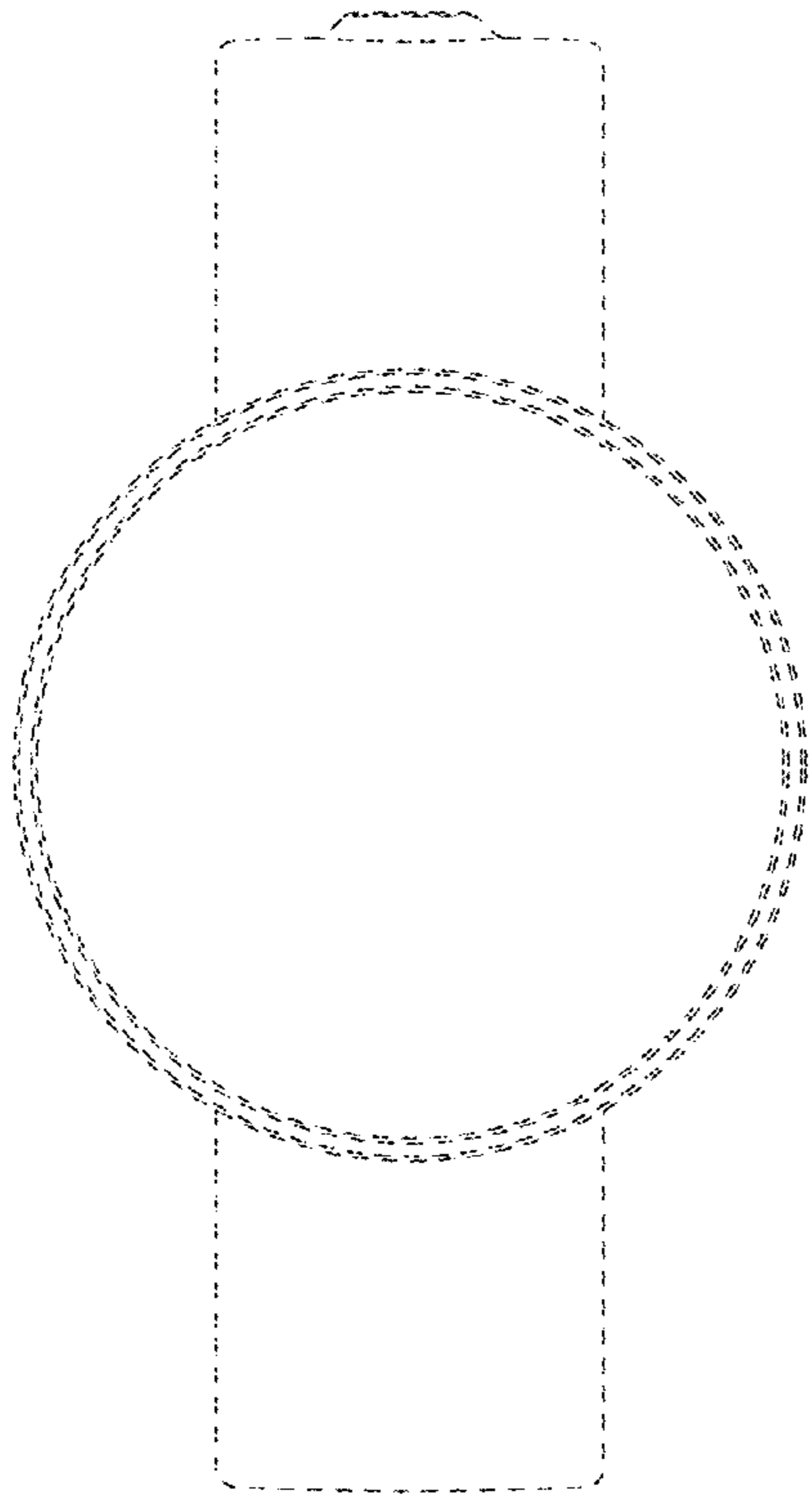


FIG. 2

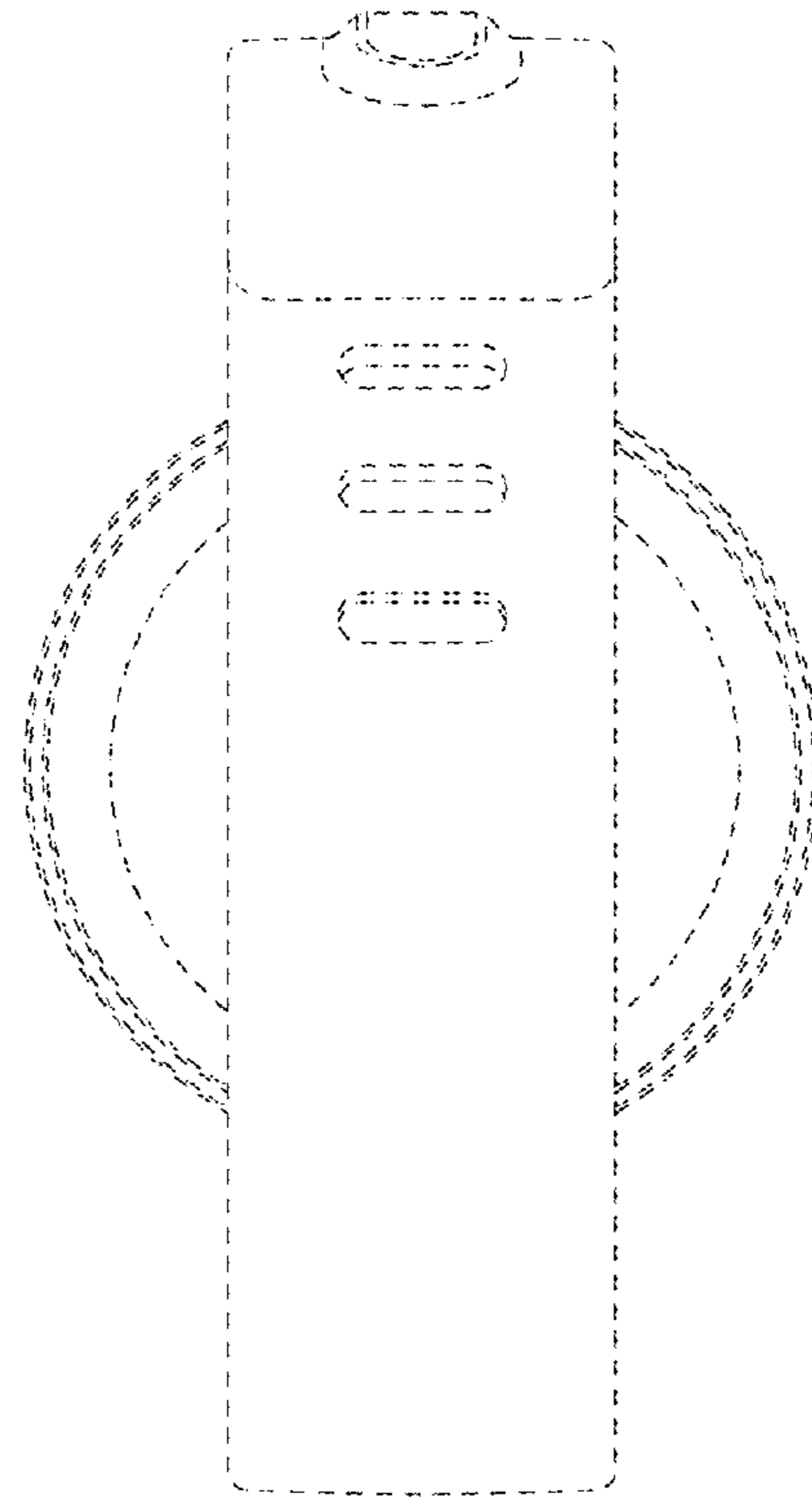


FIG. 3

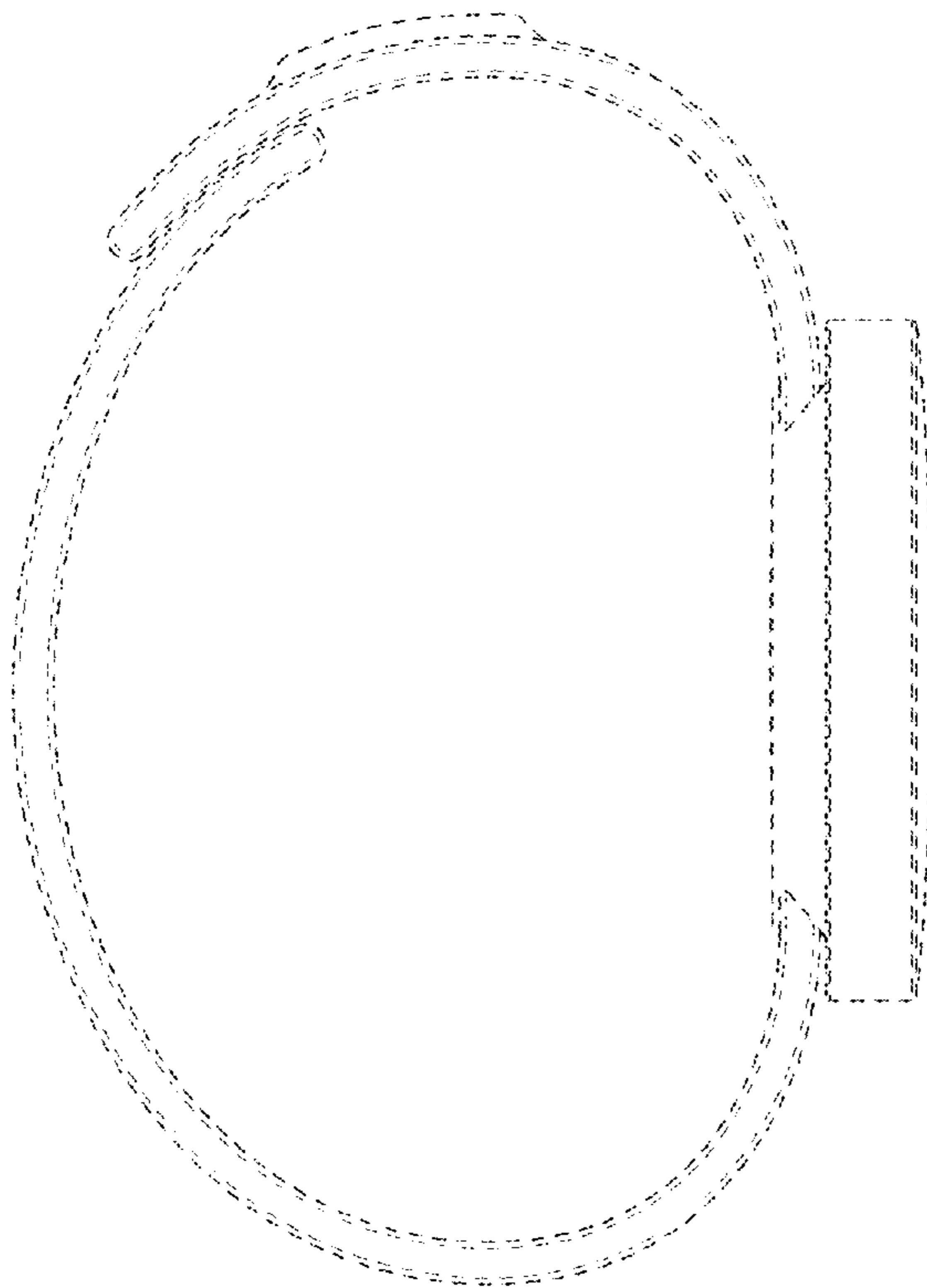


FIG. 4

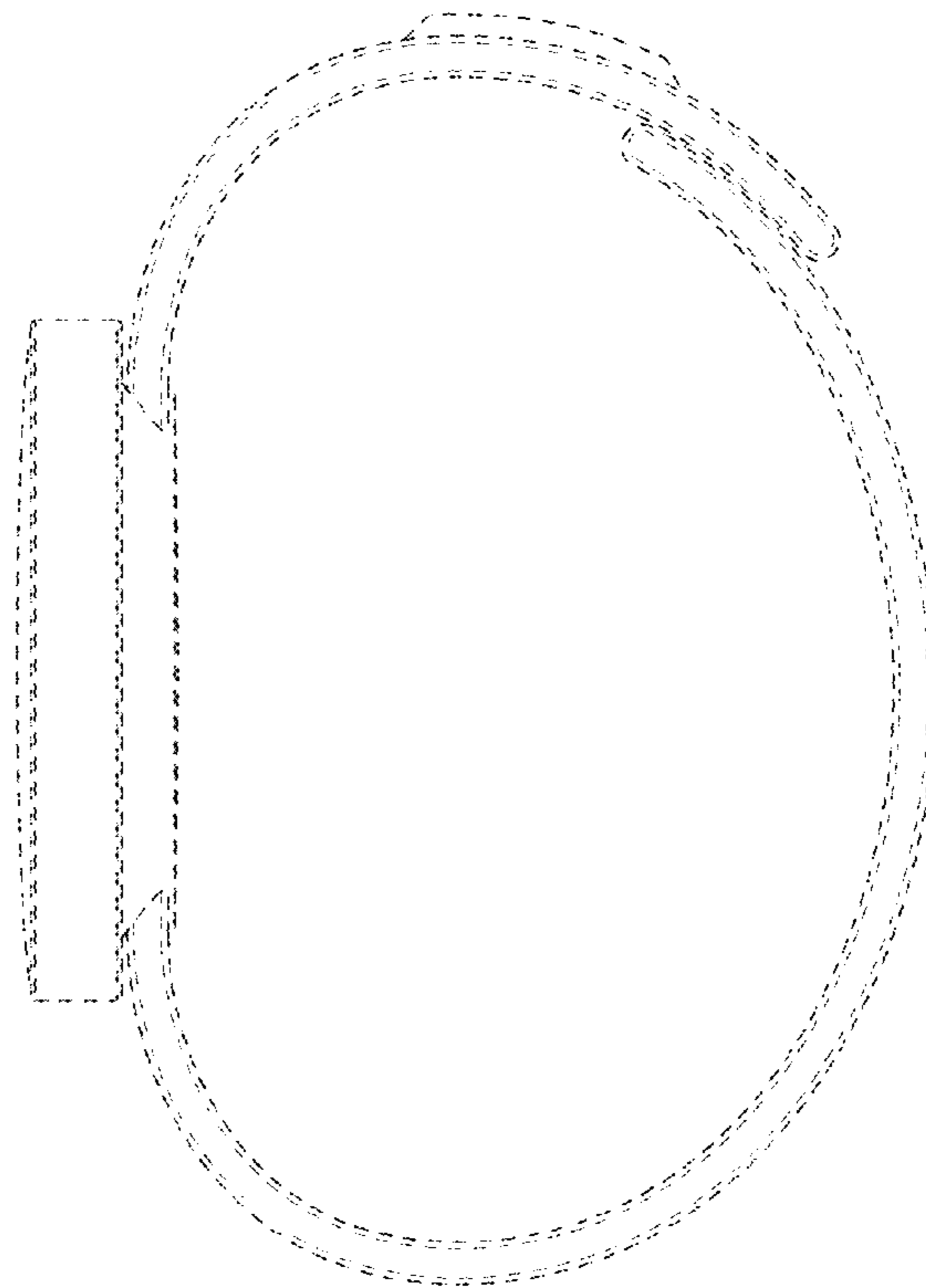


FIG. 5

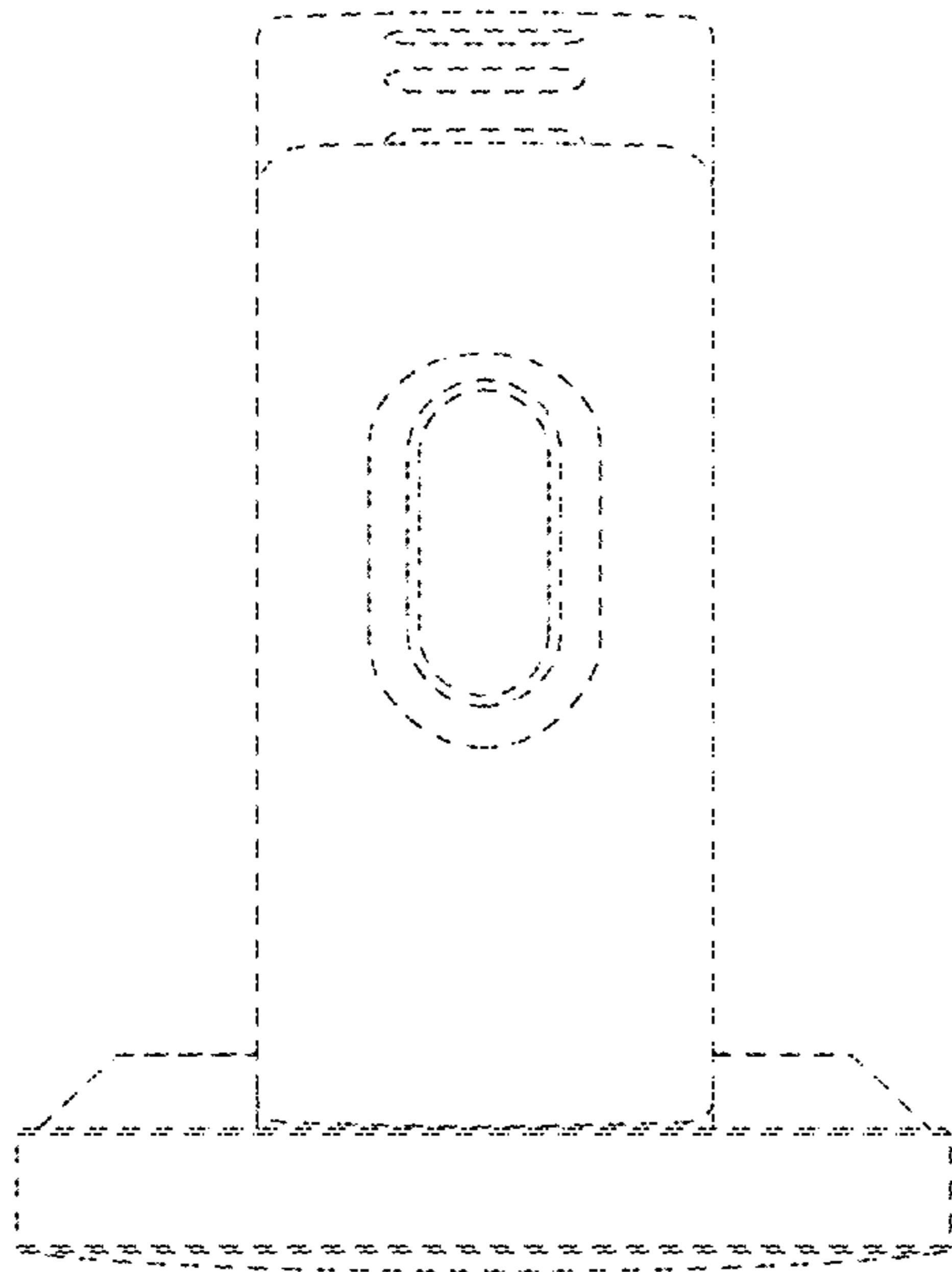


FIG. 6

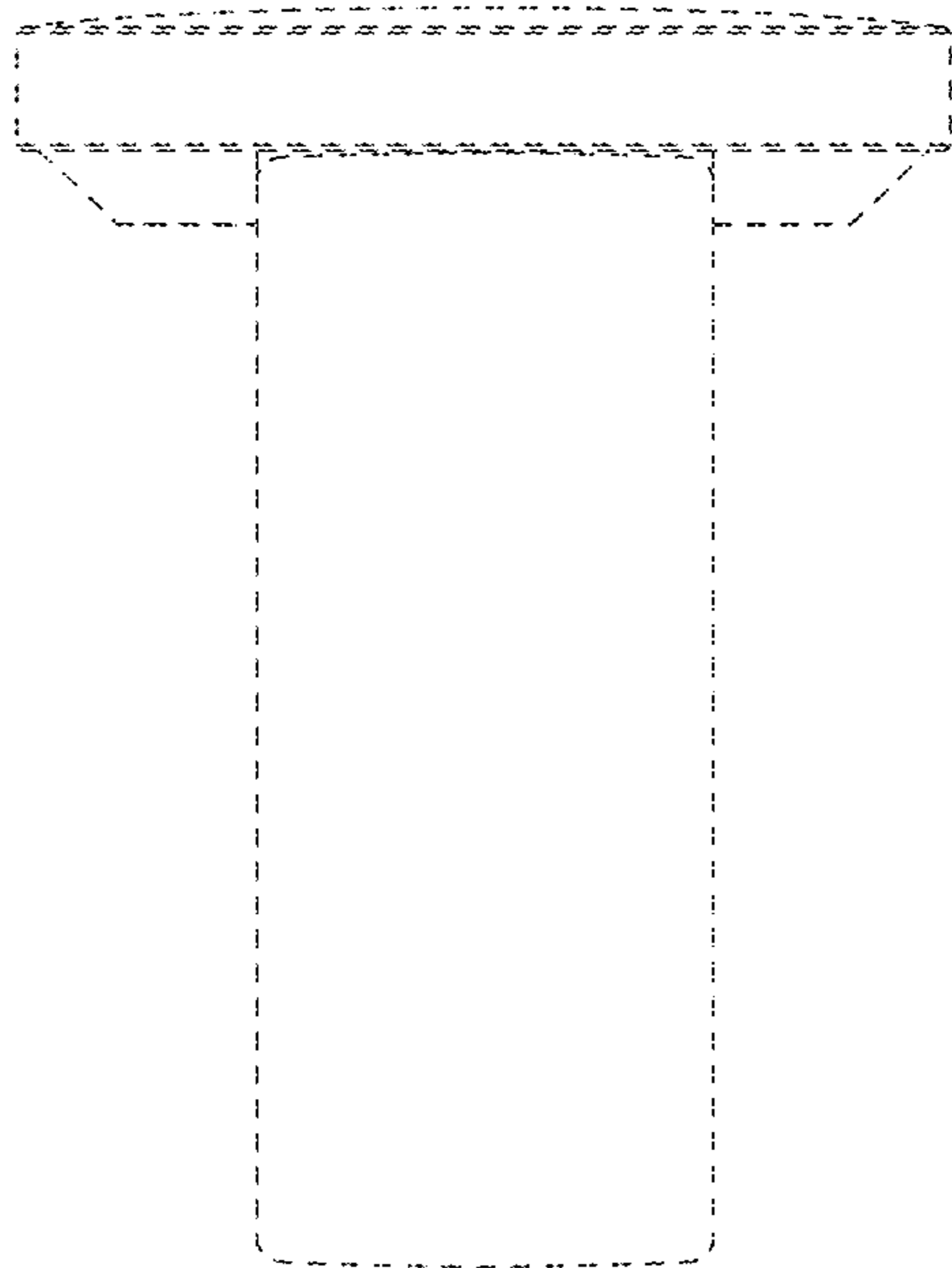


FIG. 7

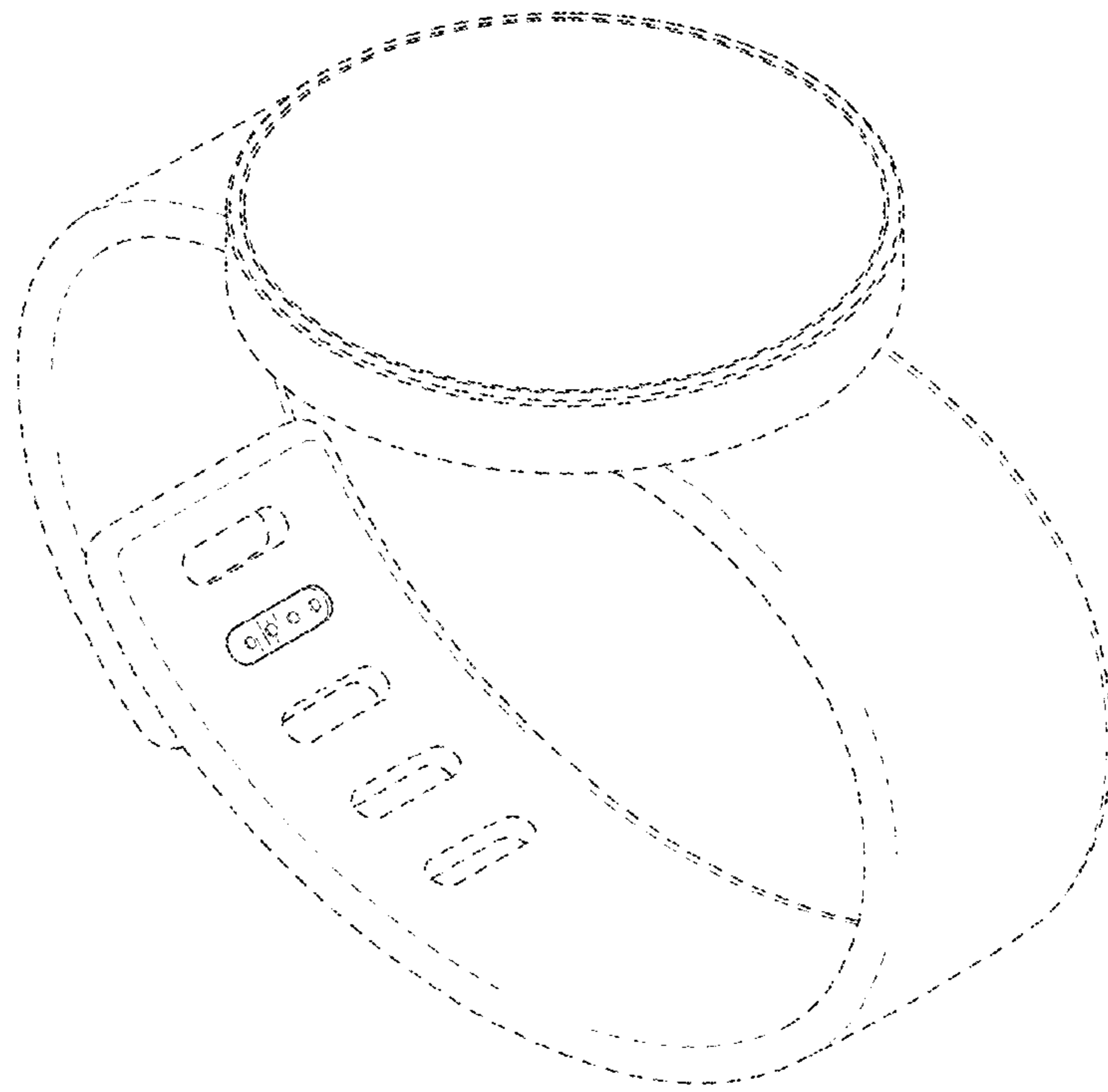


FIG. 8

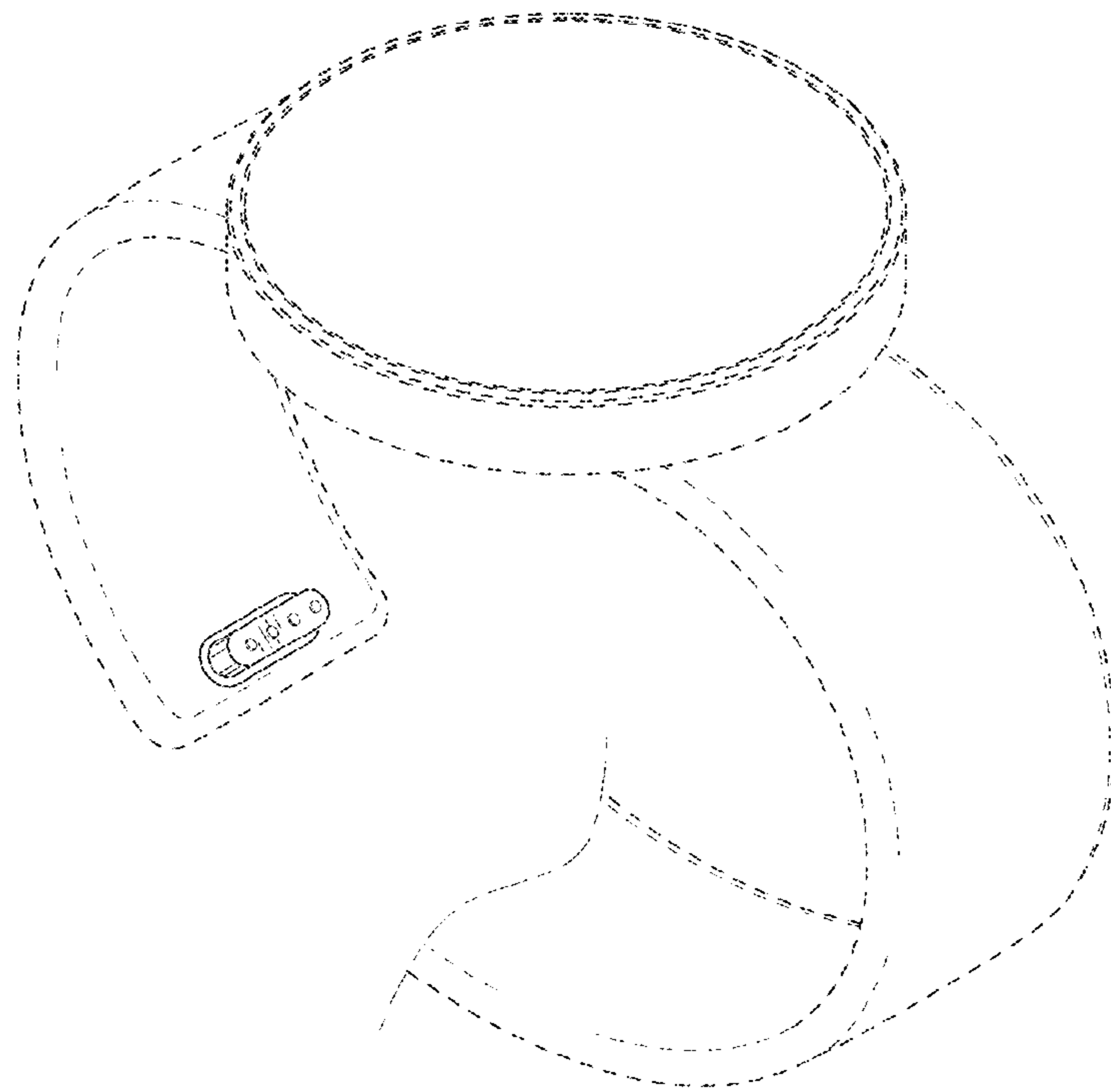


FIG. 9