



US00D763845S

(12) **United States Design Patent**
Wang et al.

(10) **Patent No.:** **US D763,845 S**

(45) **Date of Patent:** **** Aug. 16, 2016**

(54) **CASING FOR ELECTRONIC DEVICE**

F16M 11/10; H05K 5/00; H04M 1/0237
See application file for complete search history.

(71) Applicant: **ASUSTeK COMPUTER INC.**, Taipei (TW)

(56) **References Cited**

(72) Inventors: **Li-Yen Wang**, Taipei (TW); **Tsui-Wei Lin**, Taipei (TW); **Yung-Hsun Chen**, Taipei (TW); **Ming-Chih Huang**, Taipei (TW); **Chin-Rang Ku**, Taipei (TW); **Yi-Ting Chen**, Taipei (TW); **Po-Wen Huang**, Taipei (TW); **Yen-Chih Chen**, Taipei (TW); **Ying-Chou Chen**, Taipei (TW); **Tang-Lung Lo**, Taipei (TW)

U.S. PATENT DOCUMENTS

D626,548	S	*	11/2010	Kim	D14/327
D650,378	S	*	12/2011	Lee	D14/315
D651,599	S	*	1/2012	Kim	D14/315
D687,430	S	*	8/2013	Park	D14/315
D714,284	S	*	9/2014	Lin	D14/315
2011/0162987	A1	*	7/2011	Bekele	G06F 1/1616 206/320

* cited by examiner

(73) Assignee: **ASUSTEK COMPUTER INC.**, Taipei (TW)

Primary Examiner — Freda S Nunn

(**) Term: **15 Years**

(74) *Attorney, Agent, or Firm* — Muncy, Geissler, Olds & Lowe, P.C.

(21) Appl. No.: **29/532,586**

(57) **CLAIM**

The ornamental design for a casing for electronic device, as shown and described.

(22) Filed: **Jul. 8, 2015**

DESCRIPTION

Related U.S. Application Data

(63) Continuation-in-part of application No. 29/523,563, filed on Apr. 10, 2015.

(51) **LOC (10) Cl.** **14-02**

(52) **U.S. Cl.**
USPC **D14/315**

(58) **Field of Classification Search**

USPC D14/315-327; D18/1, 2, 7, 11; 235/145 A, 145 R; 341/22, 23; 345/104, 345/156, 168, 169, 173; 361/679.08, 361/679.09, 679.11, 679.26, 679.27

CPC G06F 1/16; G06F 1/1616; G06F 1/1626; G06F 1/1632; G06F 1/1613; G06F 1/1601; G06F 1/1618; G06F 1/162; G06F 1/166; G06F 1/1654; G06F 1/1681; G06F 1/1637; G06F 1/1688; H01R 35/02; H03M 11/00; G09B 13/04; H03K 17/94; G09G 5/00;

FIG. 1 is a perspective view of the casing for electronic device;

FIG. 2 is a front elevational view of the embodiment of the design, the rear elevational view being identical;

FIG. 3 is a left side elevational view of the embodiment of the design, the right side elevational view being identical;

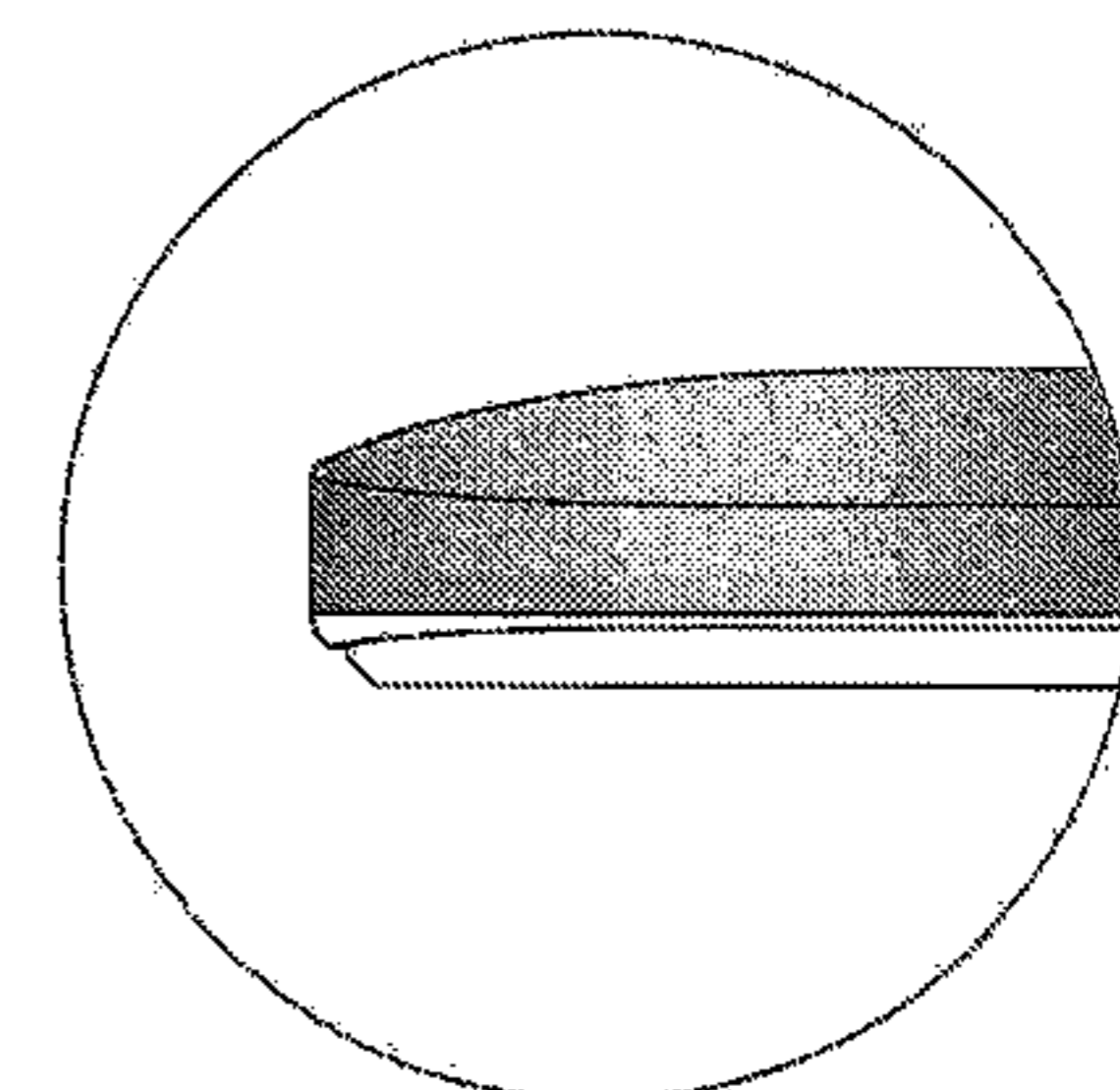
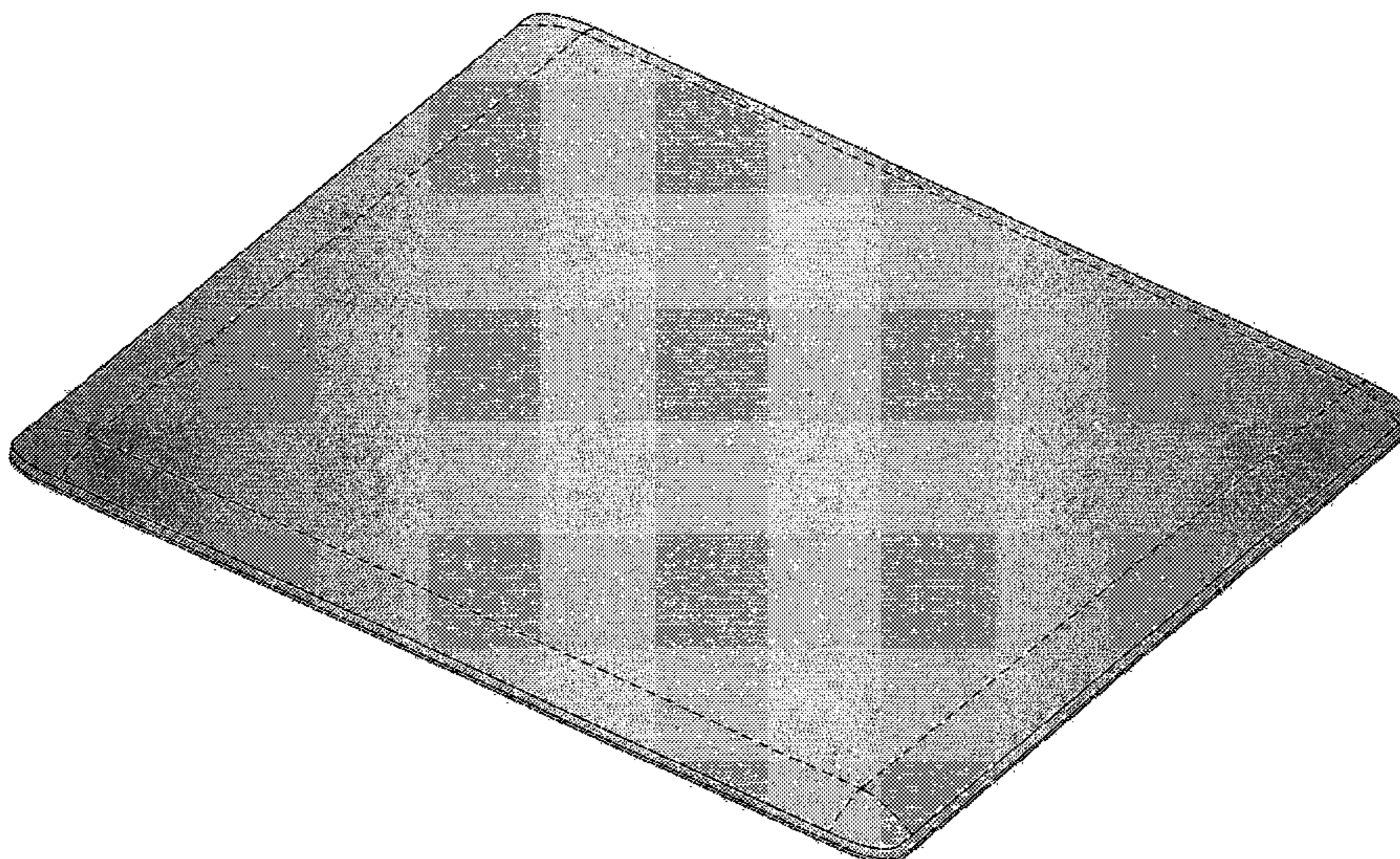
FIG. 4 is a top plan view of the embodiment of the design;

FIG. 5 is a bottom plan view of the embodiment of the design; and,

FIG. 6 is an enlarged fragmented view of the embodiment of the design as indicated in FIG. 2.

The broken lines are included in the drawings to show unclaimed subject matter only and form no part of the claimed design. The gray shown on the cover in FIGS. 1-6 represents a thin film.

1 Claim, 5 Drawing Sheets



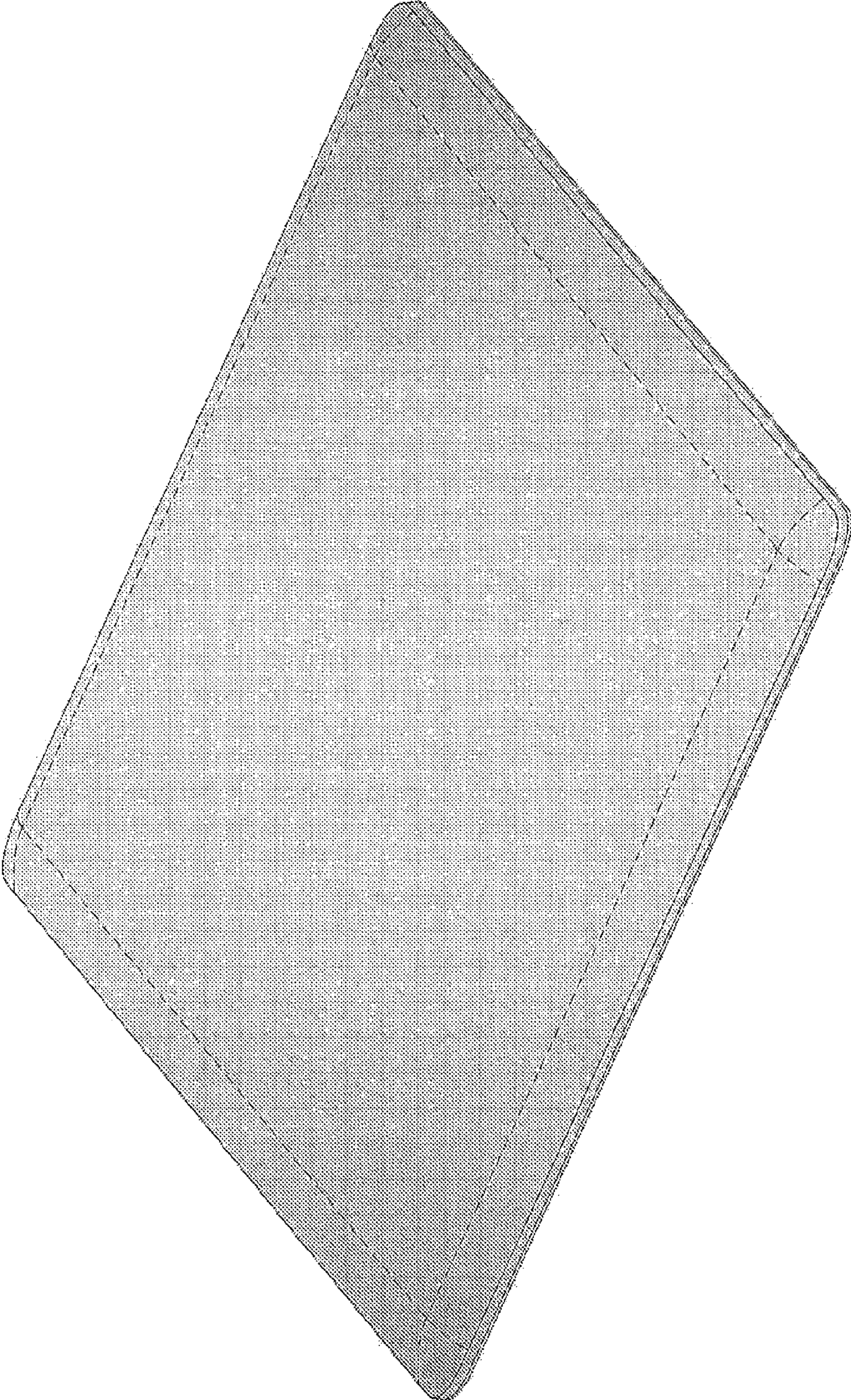


FIG.1

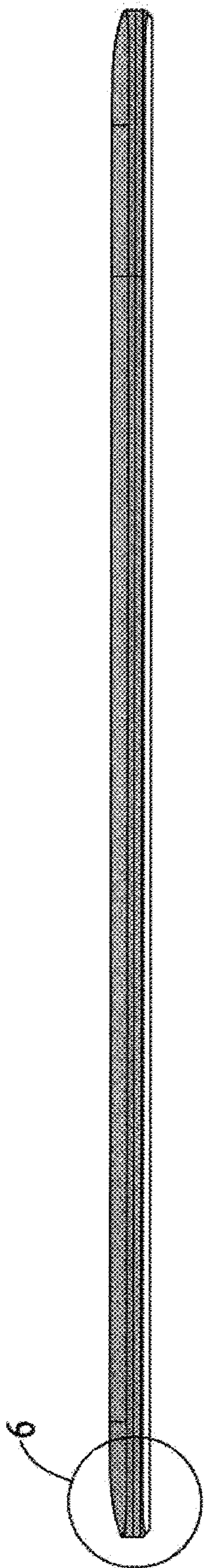


FIG. 2



FIG. 3

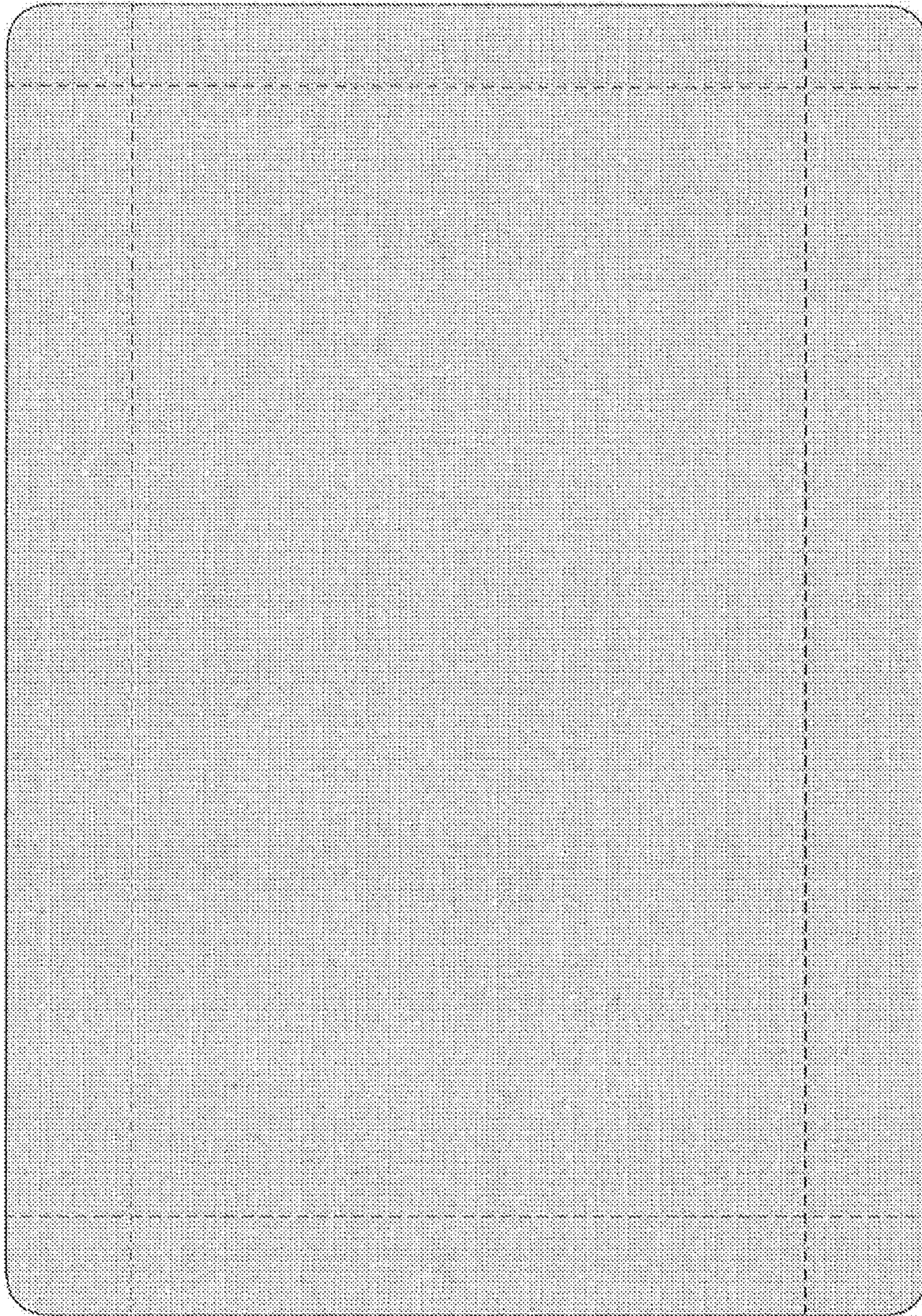


FIG.4

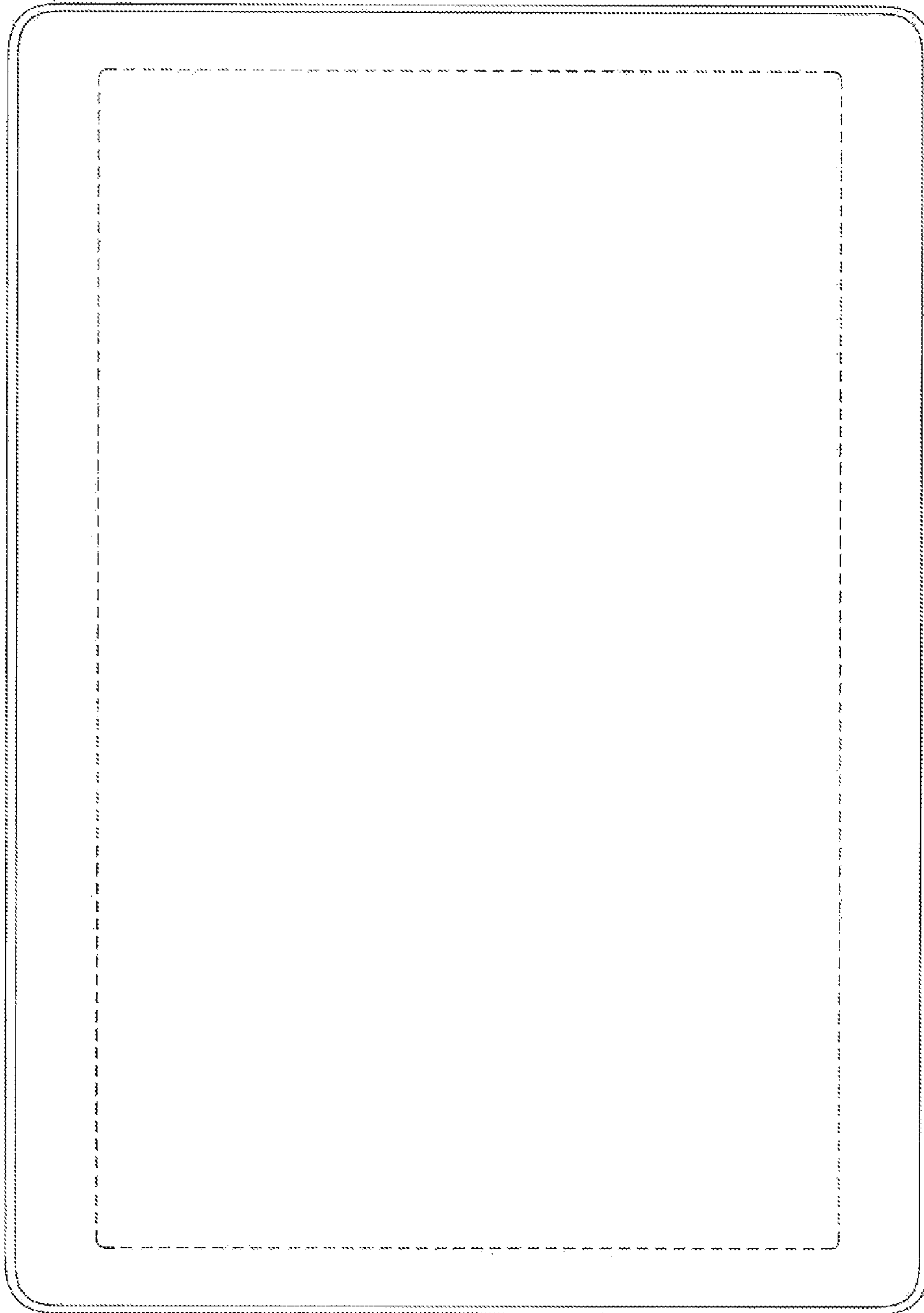


FIG.5

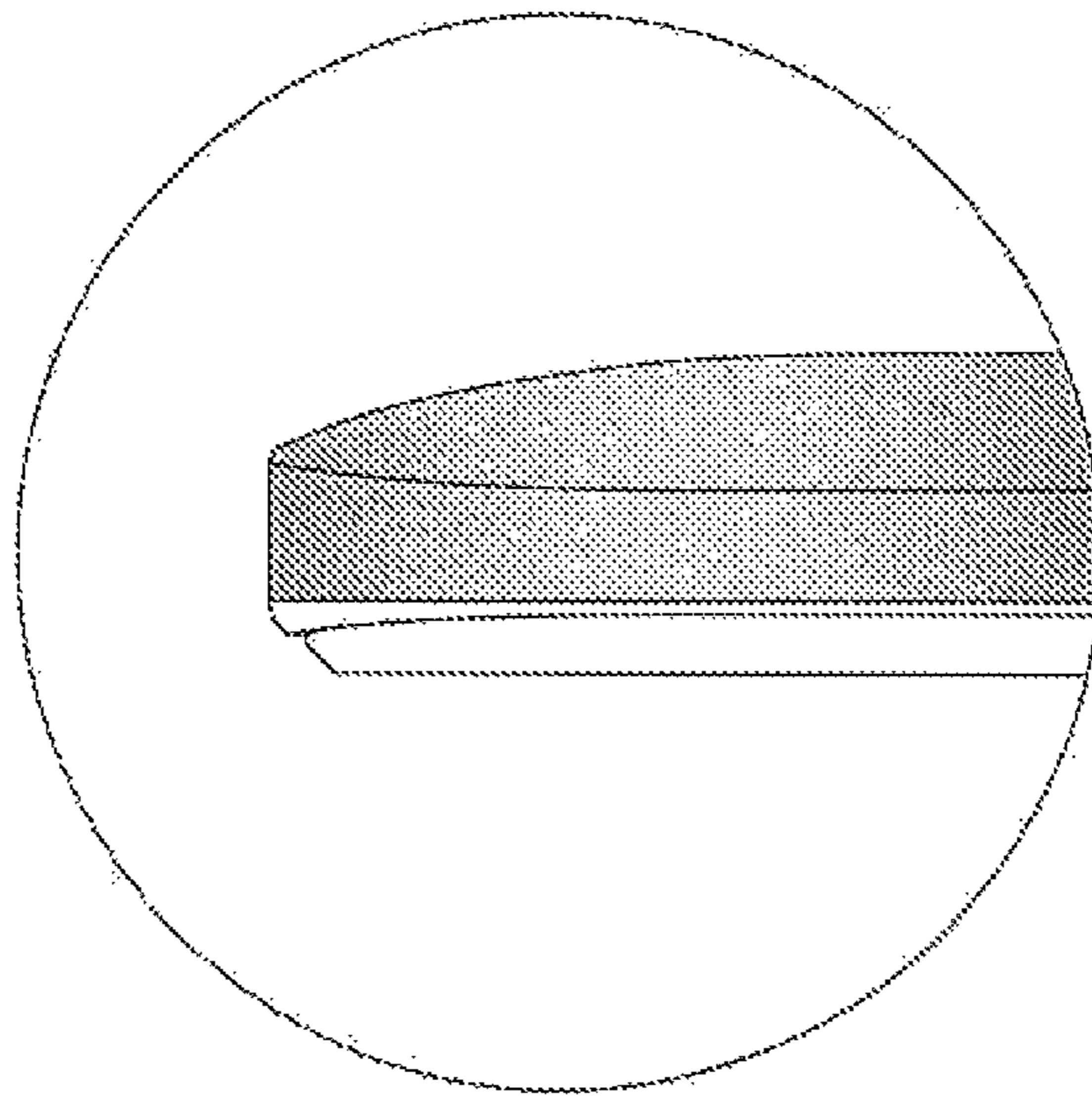


FIG.6