



US00D763839S

(12) **United States Design Patent**  
**Shin et al.**

(10) **Patent No.:** **US D763,839 S**

(45) **Date of Patent:** **\*\* Aug. 16, 2016**

(54) **COVER FOR ELECTRONIC DEVICE WITH DISPLAY**

(71) Applicant: **SAMSUNG ELECTRONICS CO., LTD.**, Suwon-si (KR)

(72) Inventors: **Changbong Shin**, Suwonsi (KR);  
**SungJin Park**, Seoul (KR); **JongIn Lee**, Suwonsi (KR)

(73) Assignee: **SAMSUNG ELECTRONICS CO., LTD.**, Suwon-Si, Gyeonggi-Do (KR)

(\*\*) Term: **14 Years**

(21) Appl. No.: **29/468,263**

(22) Filed: **Sep. 27, 2013**

(51) **LOC (10) Cl.** ..... **14-03**

(52) **U.S. Cl.**  
USPC ..... **D14/250**

(58) **Field of Classification Search**  
USPC ..... D14/238.1, 250, 440, 203.3–203.7, 217, D14/240, 248, 251–253, 447, 496, 144, 149, D14/159, 172, 194, 204, 221, 224.1; D3/201, 218, 247, 269, 273, 301, 303; D13/103, 107–108, 119  
CPC ..... A45C 1/06; A45C 11/00; A45C 13/02; A45C 2011/002; A45F 5/02; A45F 2005/026; A45F 2200/0525; A45F 2200/0516; H04B 1/3888; H04M 1/0283; H04M 1/0202  
See application file for complete search history.

(56) **References Cited**

**U.S. PATENT DOCUMENTS**

D624,064	S	*	9/2010	Esposito	.....	D14/250
D676,448	S	*	2/2013	Gorman et al.	.....	D14/440
D682,279	S	*	5/2013	Fuchs	.....	D14/440
D686,626	S	*	7/2013	Tan	.....	D14/440
D695,745	S	*	12/2013	Kim	.....	D14/440
D704,181	S	*	5/2014	Stevinson	.....	D14/250

D705,783	S	*	5/2014	Weng	.....	D14/440
D706,270	S	*	6/2014	Akana et al.	.....	D14/440
8,763,795	B1	*	7/2014	Oten et al.	.....	206/45.23
D713,834	S	*	9/2014	Almstrom	.....	D14/250
D723,020	S	*	2/2015	Kim et al.	.....	D14/250
D726,173	S	*	4/2015	Kim et al.	.....	D14/250
2003/0150756	A1	*	8/2003	Kajiya	.....	206/320
2011/0155630	A1	*	6/2011	Qin	.....	206/701
2012/0087100	A1	*	4/2012	Ku	.....	361/807
2012/0153116	A1	*	6/2012	Harrison	.....	248/460
2012/0220340	A1	*	8/2012	Sirpal et al.	.....	455/566
2012/0305424	A1	*	12/2012	Sogabe et al.	.....	206/320
2013/0015088	A1	*	1/2013	Wu	.....	206/320
2014/0166505	A1	*	6/2014	Yu et al.	.....	206/37
2014/0204511	A1	*	7/2014	Oh et al.	.....	361/679.01
2014/0376192	A1	*	12/2014	Park et al.	.....	361/728
2015/0024812	A1	*	1/2015	Xie et al.	.....	455/575.8
2015/0105128	A1	*	4/2015	Huang et al.	.....	455/575.8

\* cited by examiner

*Primary Examiner* — Carla Jobe Wright

(74) *Attorney, Agent, or Firm* — Ladas & Parry LLP

(57) **CLAIM**

The ornamental design for a cover for electronic device with display, as shown and described.

**DESCRIPTION**

FIG. 1 is a front perspective view of a cover for electronic device with display showing our new design; FIG. 2 is a front view thereof; FIG. 3 is a rear view thereof; FIG. 4 is a left-side view thereof; FIG. 5 is a right-side view thereof; FIG. 6 is a top view thereof; FIG. 7 is a bottom view thereof; and, FIG. 8 is a rear perspective view thereof, with an electronic device.

In FIGS. 3 and 8 an unclaimed electronic device depicted in broken lines is shown within the cover. All other broken lines throughout the figures depict unclaimed portions of the cover. The broken lines form no part of the claimed design.

**1 Claim, 8 Drawing Sheets**

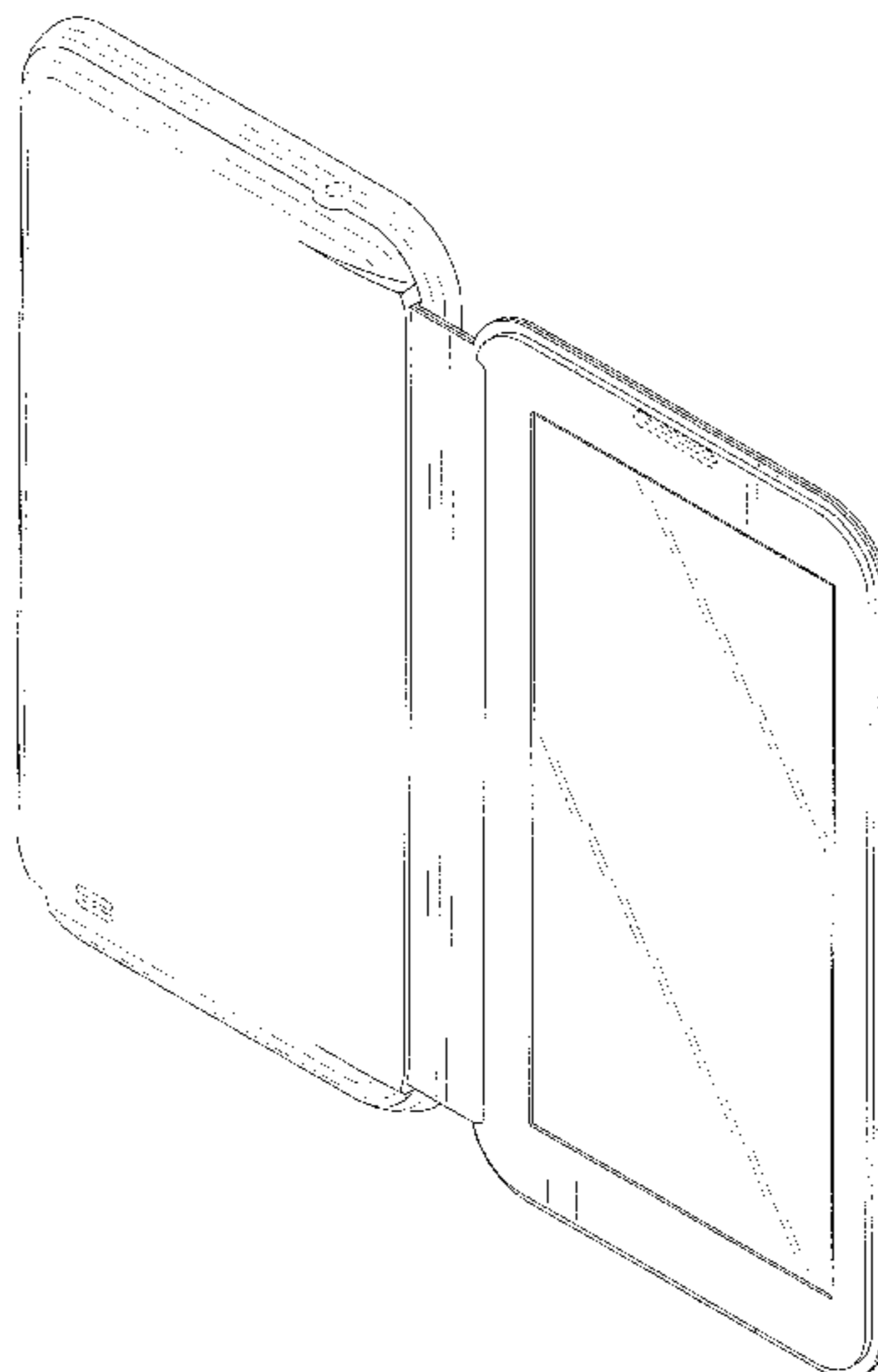


FIG. 1

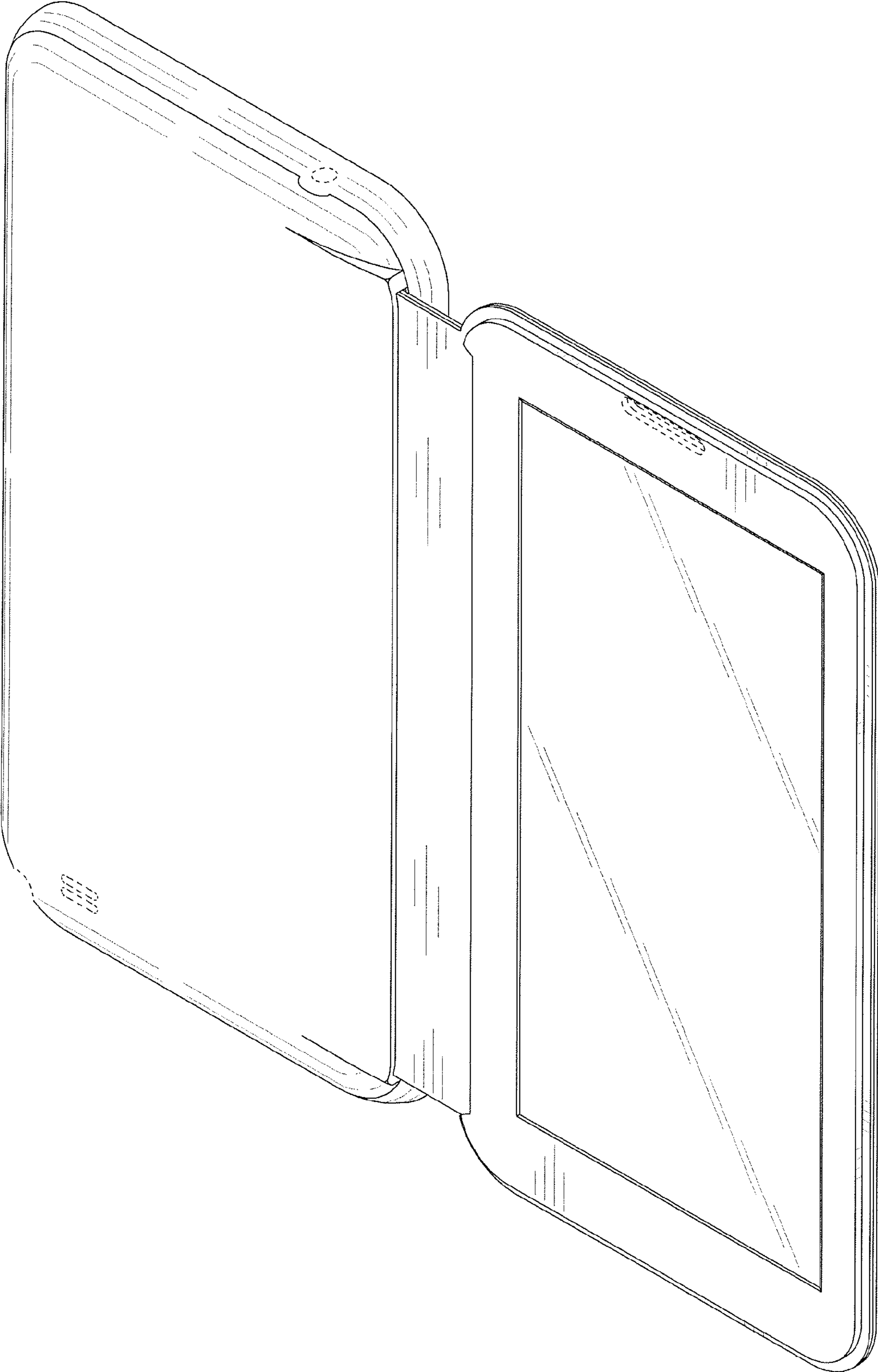


FIG. 2

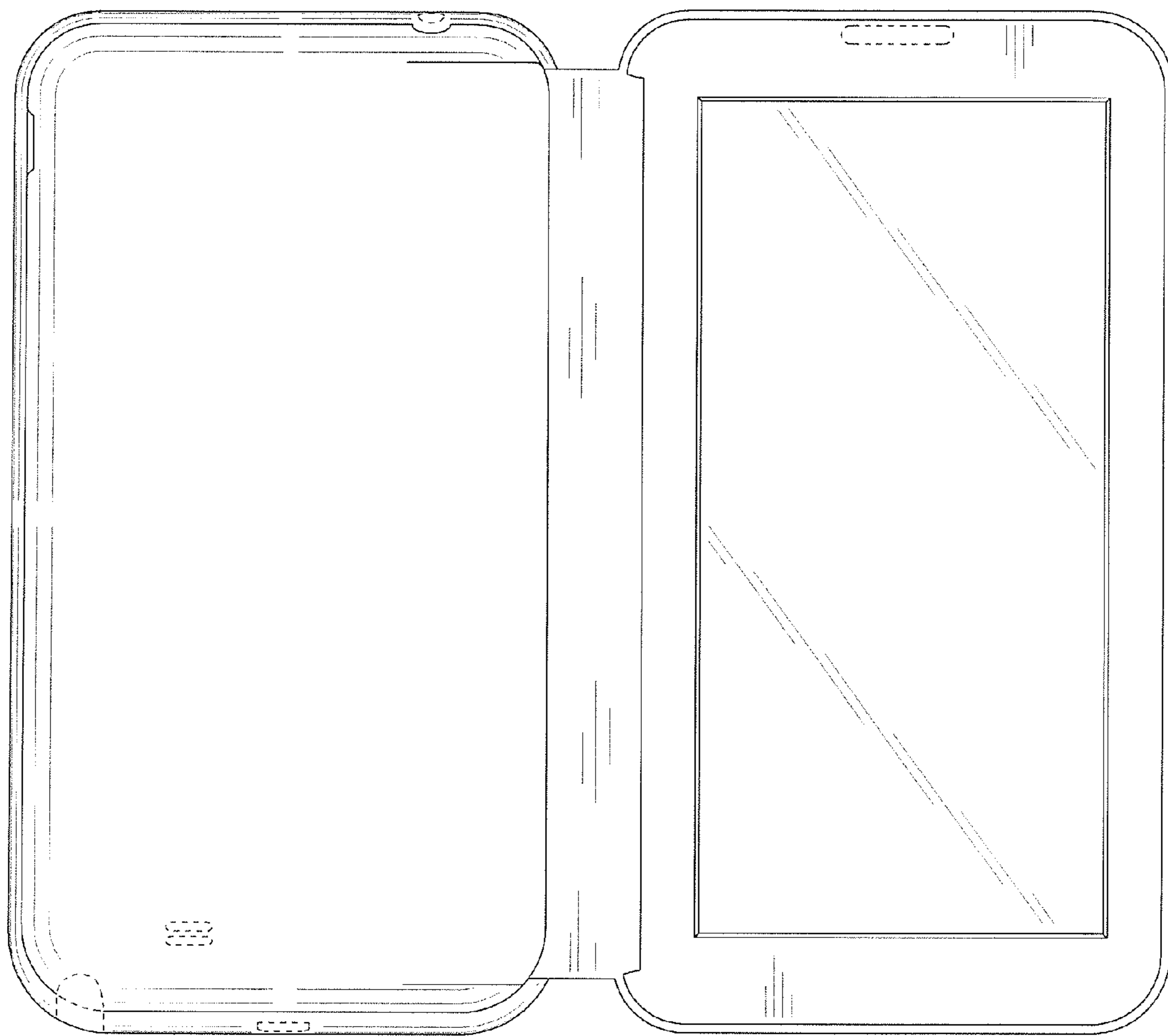


FIG. 3

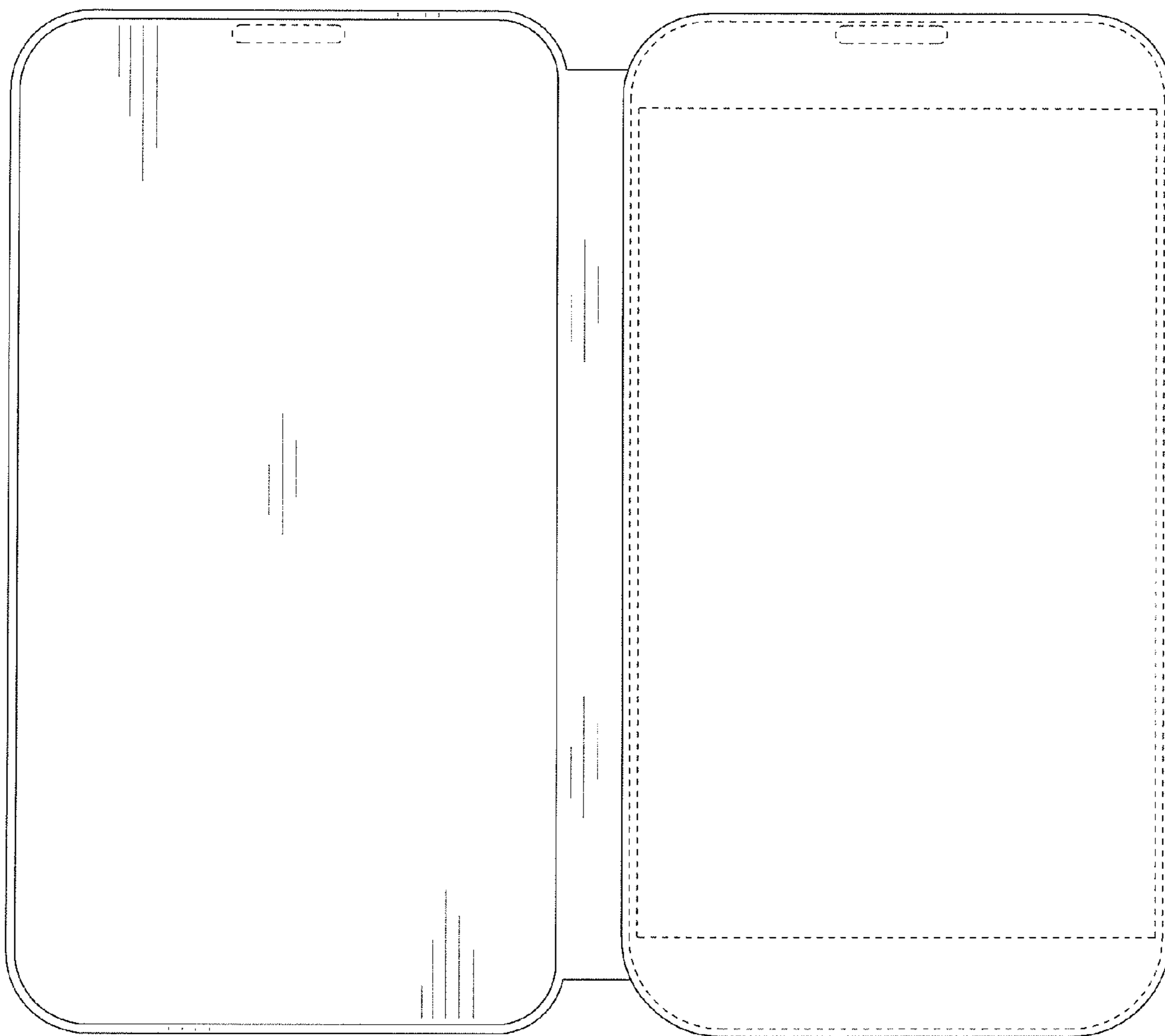


FIG. 4



FIG. 5



FIG. 6

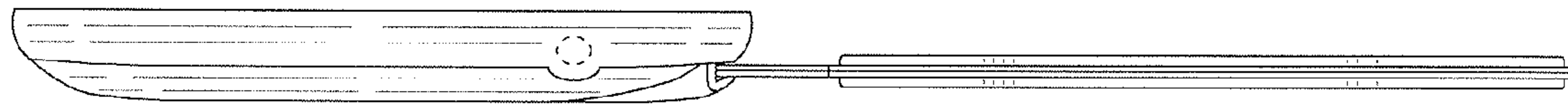


FIG. 7

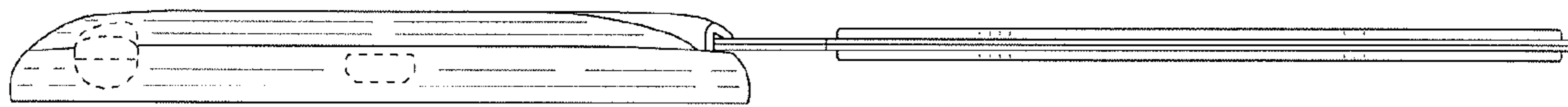




FIG. 8

