



US00D763838S

(12) **United States Design Patent**
Lee

(10) **Patent No.:** **US D763,838 S**
(45) **Date of Patent:** **** Aug. 16, 2016**

(54) **MOBILE PHONE**

(71) Applicant: **LG ELECTRONICS INC.**, Seoul (KR)

(72) Inventor: **Sungho Lee**, Seoul (KR)

(73) Assignee: **LG Electronics Inc.**, Seoul (KR)

(**) Term: **14 Years**

(21) Appl. No.: **29/504,762**

(22) Filed: **Oct. 9, 2014**

(30) **Foreign Application Priority Data**

Apr. 10, 2014 (KR) 30-2014-0018096

(51) **LOC (10) Cl.** **14-03**

(52) **U.S. Cl.**
USPC **D14/248**; D14/138 C

(58) **Field of Classification Search**
USPC D14/138 G, 138 AD, 248, 138 C, 138 R,
D14/138 AC, 247, 137, 341-347
CPC H04M 1/0202; H04M 1/0235; H04M
1/0237; H04M 1/0239; H04M 1/0266; H04M
1/0268; H04M 1/027; H04M 1/0295
See application file for complete search history.

(56) **References Cited**

U.S. PATENT DOCUMENTS

| | | | | |
|-------------------|---------|-------|-------|-------------------------|
| D517,038 S * | 3/2006 | Lee | | D14/138 AD |
| D525,959 S * | 8/2006 | Kim | | D14/138 AD |
| D530,696 S * | 10/2006 | Lee | | D14/138 AA |
| D556,719 S * | 12/2007 | Lee | | D14/138 AB |
| D557,240 S * | 12/2007 | Lee | | D14/138 AB |
| D560,635 S * | 1/2008 | Kim | | D14/138 AA |
| D576,141 S * | 9/2008 | Moon | | D14/138 C |
| D601,988 S * | 10/2009 | Bang | | D14/138 G |
| D621,378 S * | 8/2010 | Kim | | D14/138 AD |
| D733,109 S * | 6/2015 | Reivo | | D14/248 |
| D735,703 S * | 8/2015 | Reivo | | D14/248 |
| D741,930 S * | 10/2015 | Kwon | | D16/202 |
| 2009/0237812 A1 * | 9/2009 | Tseng | | G02B 13/0055 359/808 |

* cited by examiner

Primary Examiner — Bridget L Eland

(74) *Attorney, Agent, or Firm* — Birch, Stewart, Kolasch & Birch, LLP

(57) **CLAIM**

The ornamental design for a mobile phone, as shown and described.

DESCRIPTION

FIG. 1 is a rear perspective view of a mobile phone showing my new design in which the core part has been used as a display;

FIG. 2 is a front view thereof;

FIG. 3 is a rear view thereof;

FIG. 4 is a left side view thereof where the right side view is a mirror image;

FIG. 5 is a top plan view thereof;

FIG. 6 is a bottom plan view thereof;

FIG. 7 is another rear perspective view of the mobile phone, showing environment in an in-use state;

FIG. 8 is an exploded rear perspective view of the mobile phone, in order to show aspects of the design that would not otherwise be apparent and showing the core part in a detached state;

FIG. 9 is another rear perspective view of the mobile phone, showing the core part attached in a camera state;

FIG. 10 is a rear view of FIG. 9;

FIG. 11 is a left side view of FIG. 9 where the right side view is a mirror image;

FIG. 12 is a top plan view of FIG. 9; and,

FIG. 13 is a bottom plan view of FIG. 9.

The evenly spaced broken lines immediately adjacent to the claim, encompassing unshaded regions in the FIG. 6 view, and the dash-dot broken lines define the bounds of the claimed design while the evenly spaced broken lines showing the remainder of the article are directed to environment; the broken lines form no part of the claimed design.

1 Claim, 11 Drawing Sheets

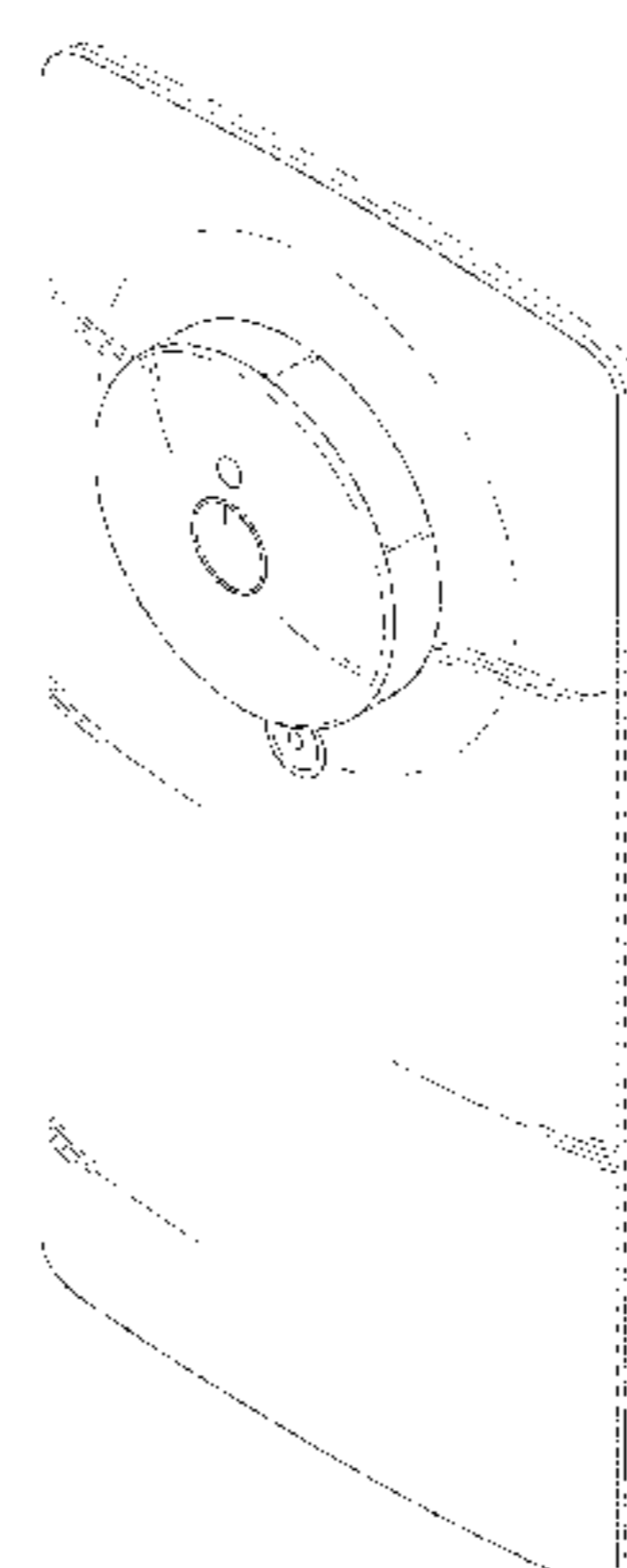
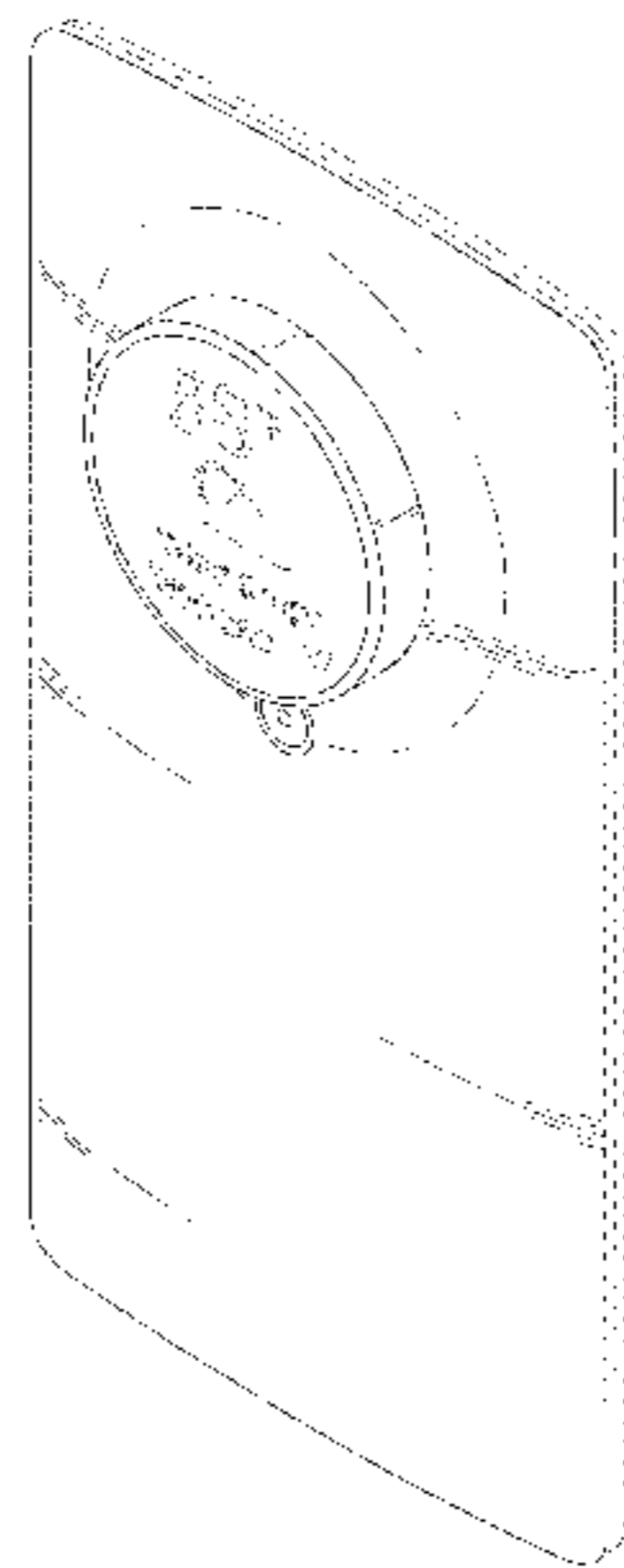


FIG. 1

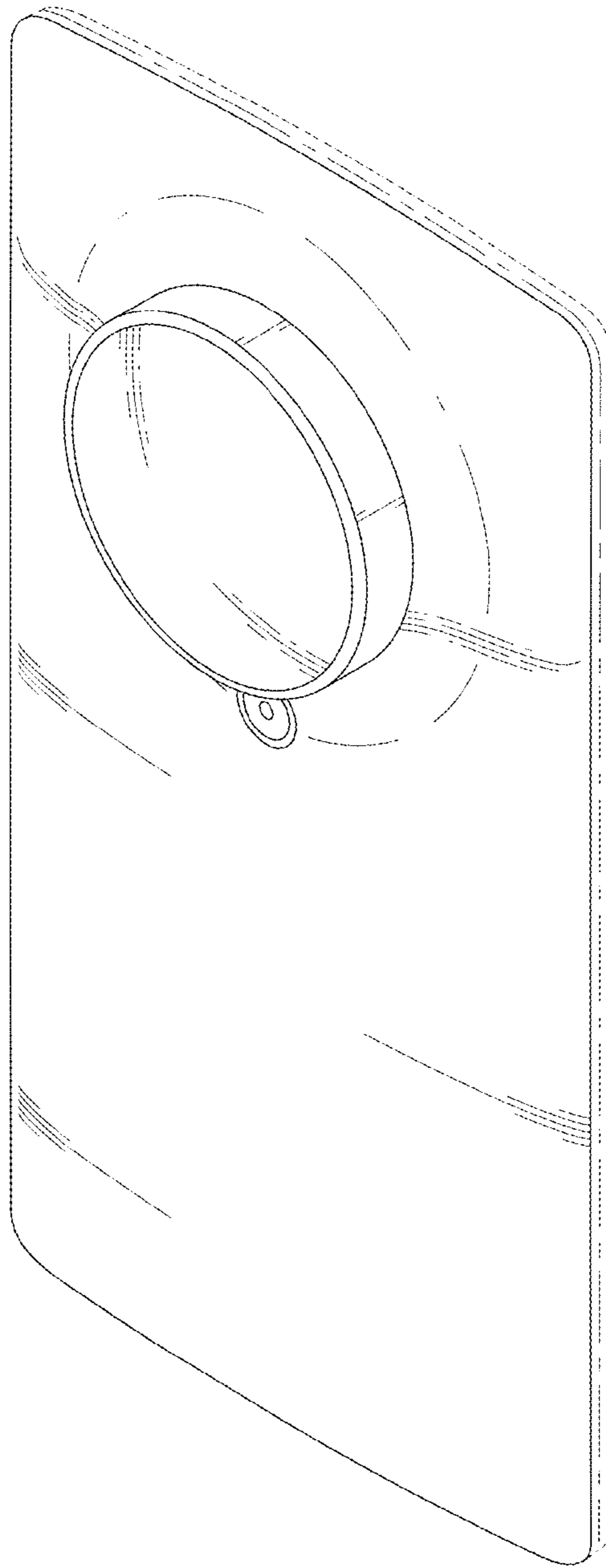


FIG. 2

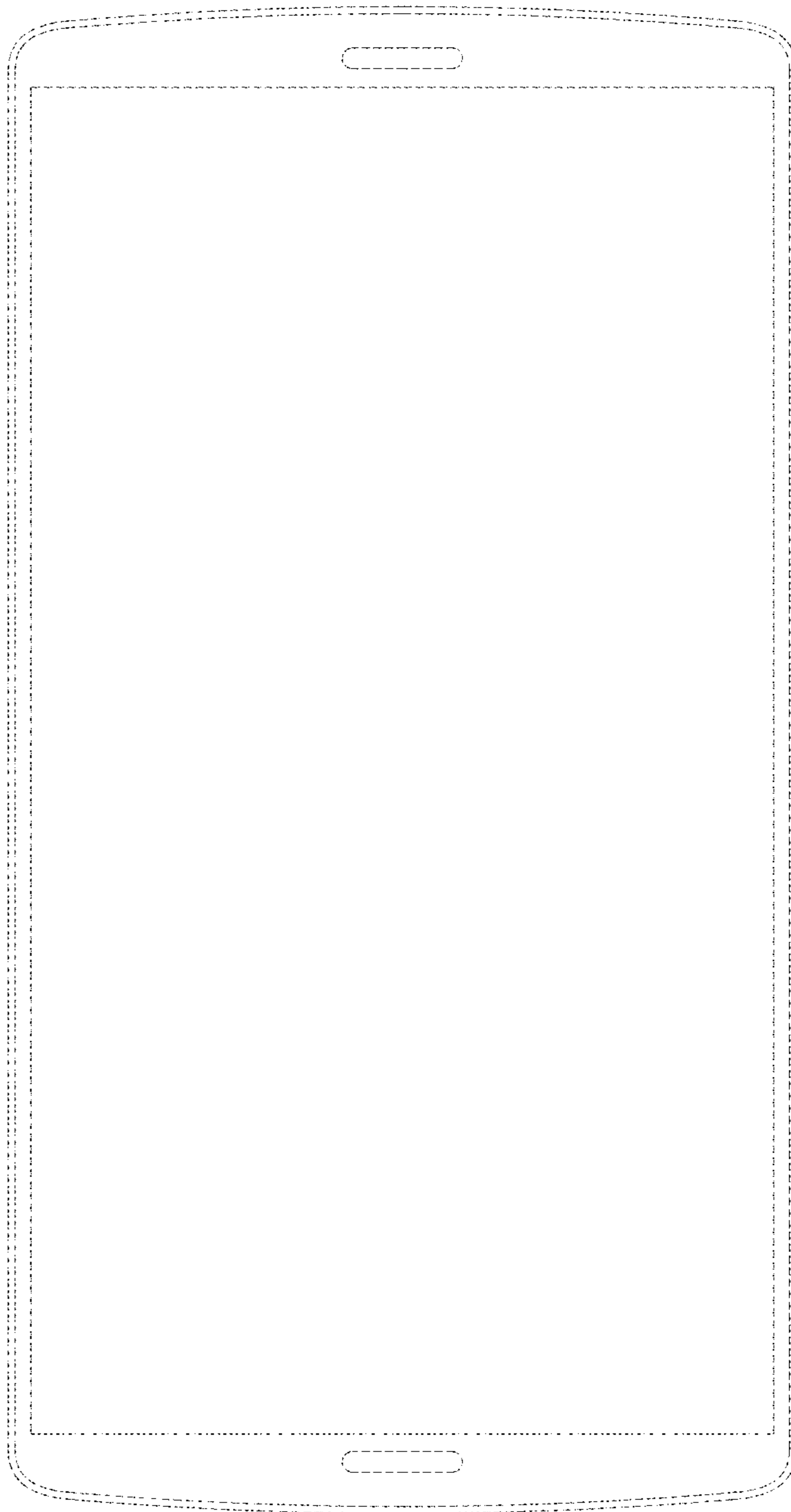


FIG. 3

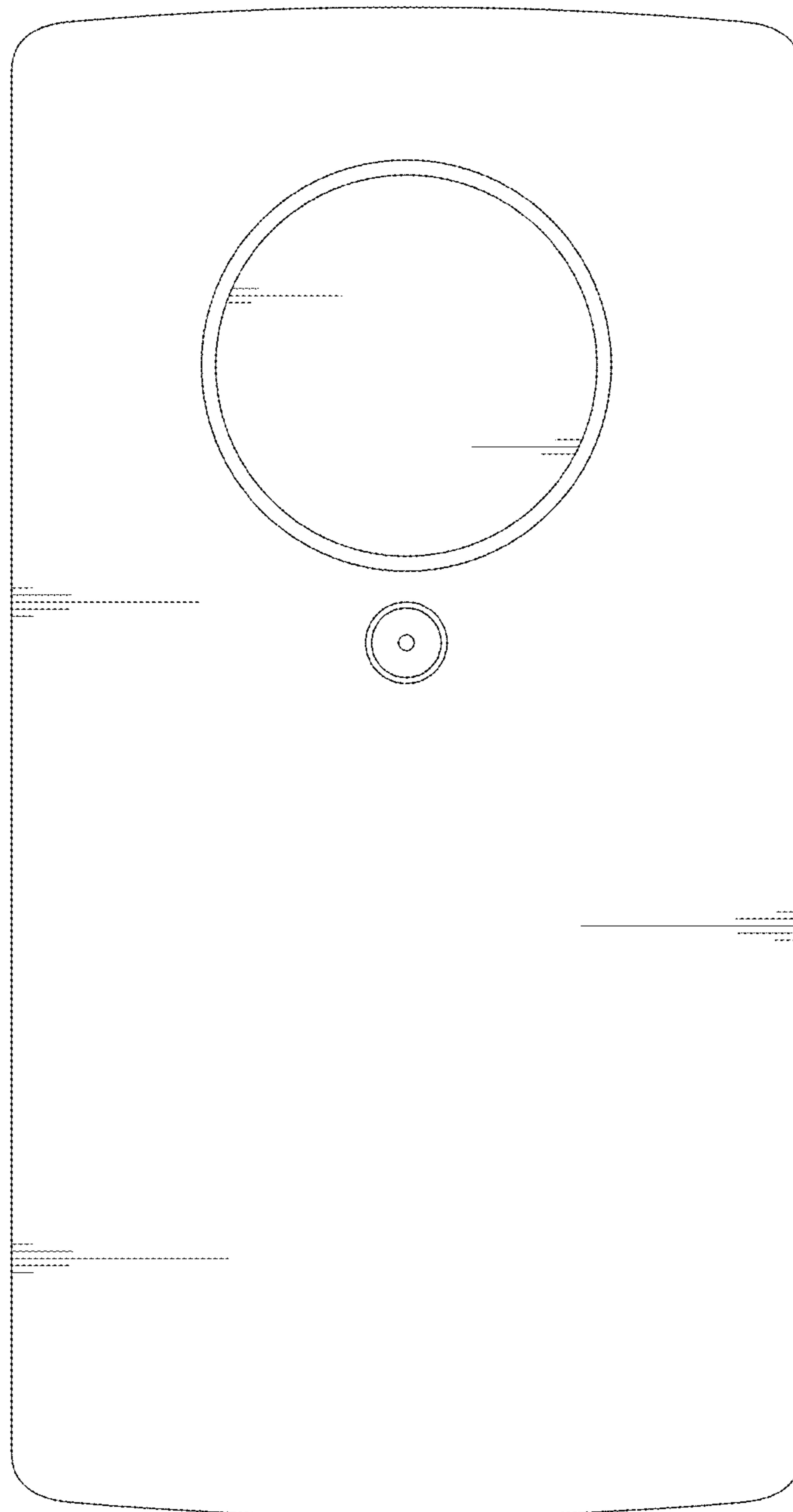


FIG. 4

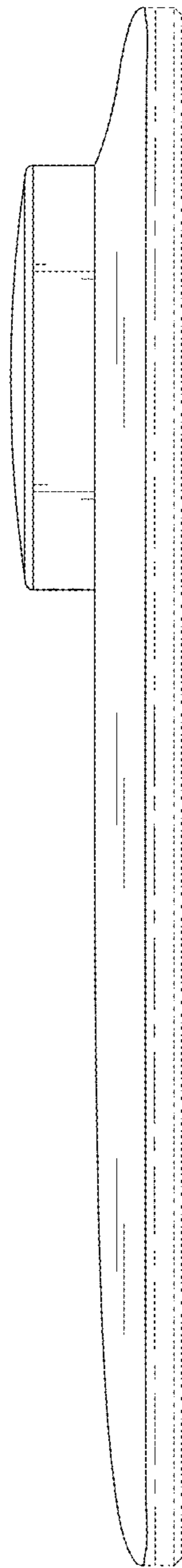


FIG. 5

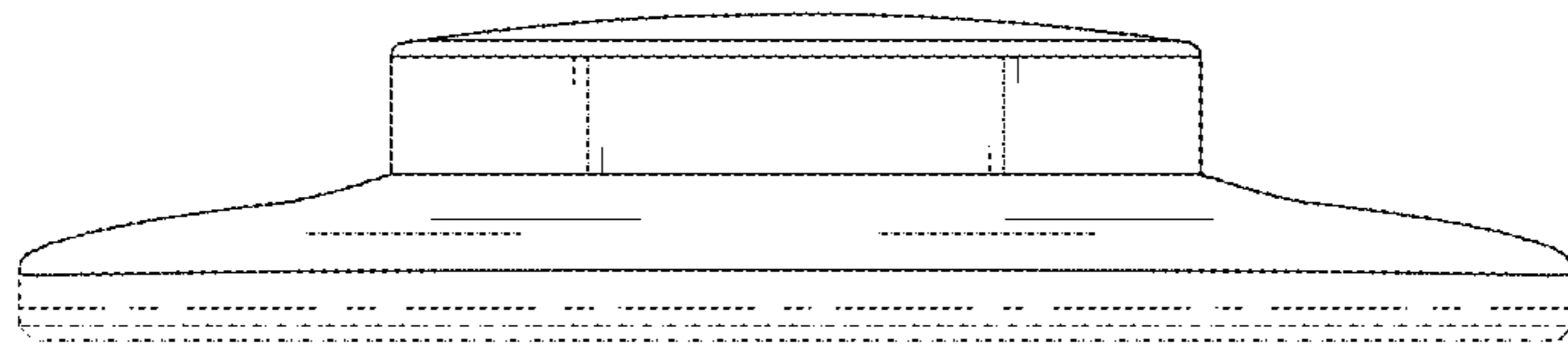


FIG. 6

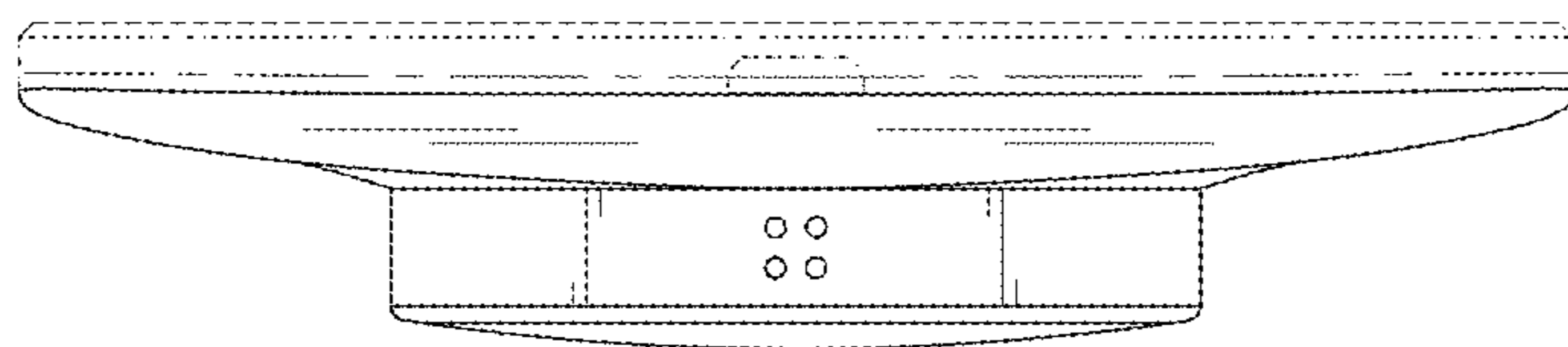


FIG. 7

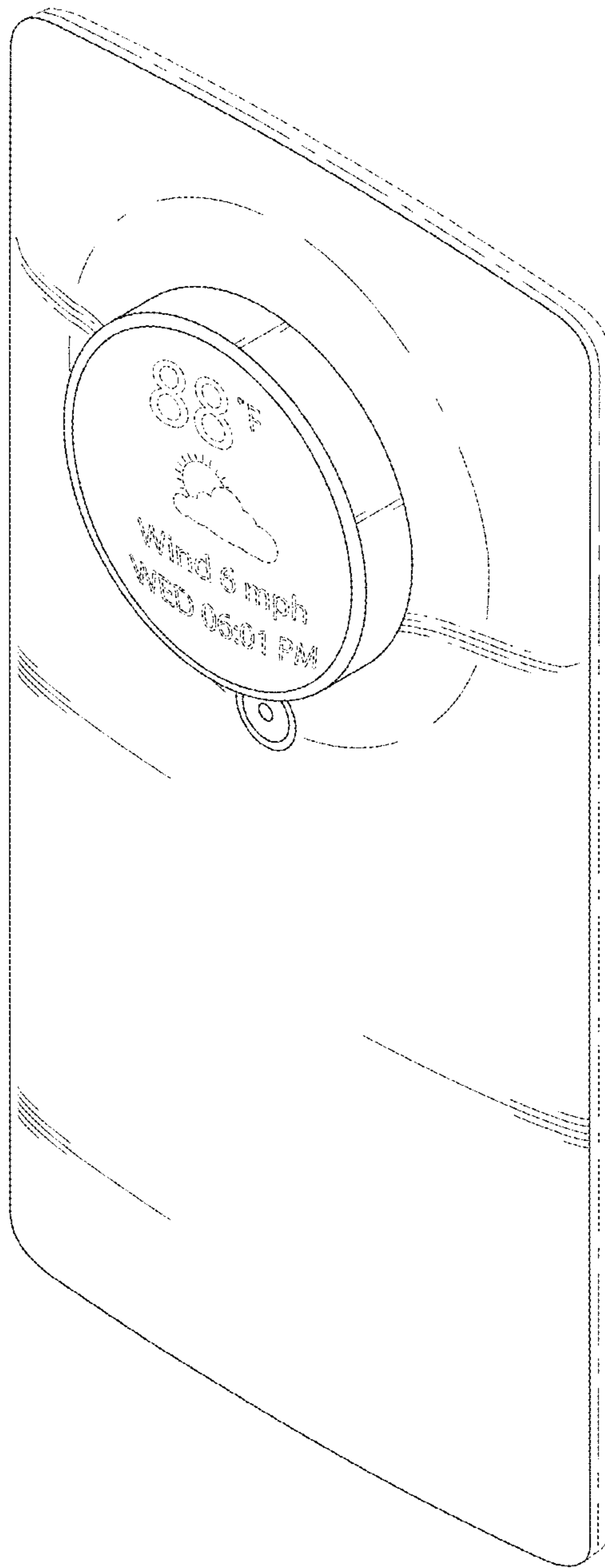


FIG. 8

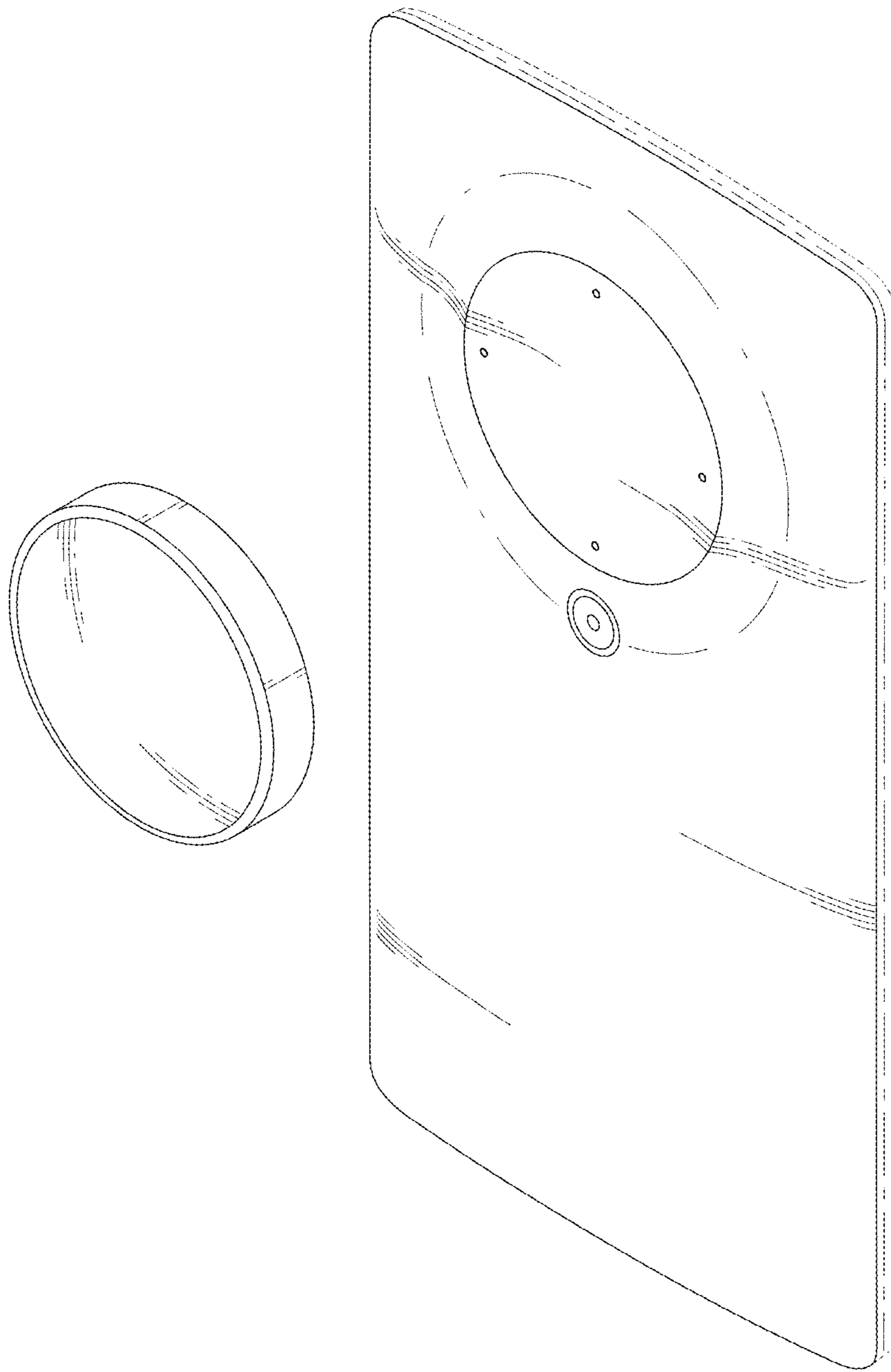


FIG. 9

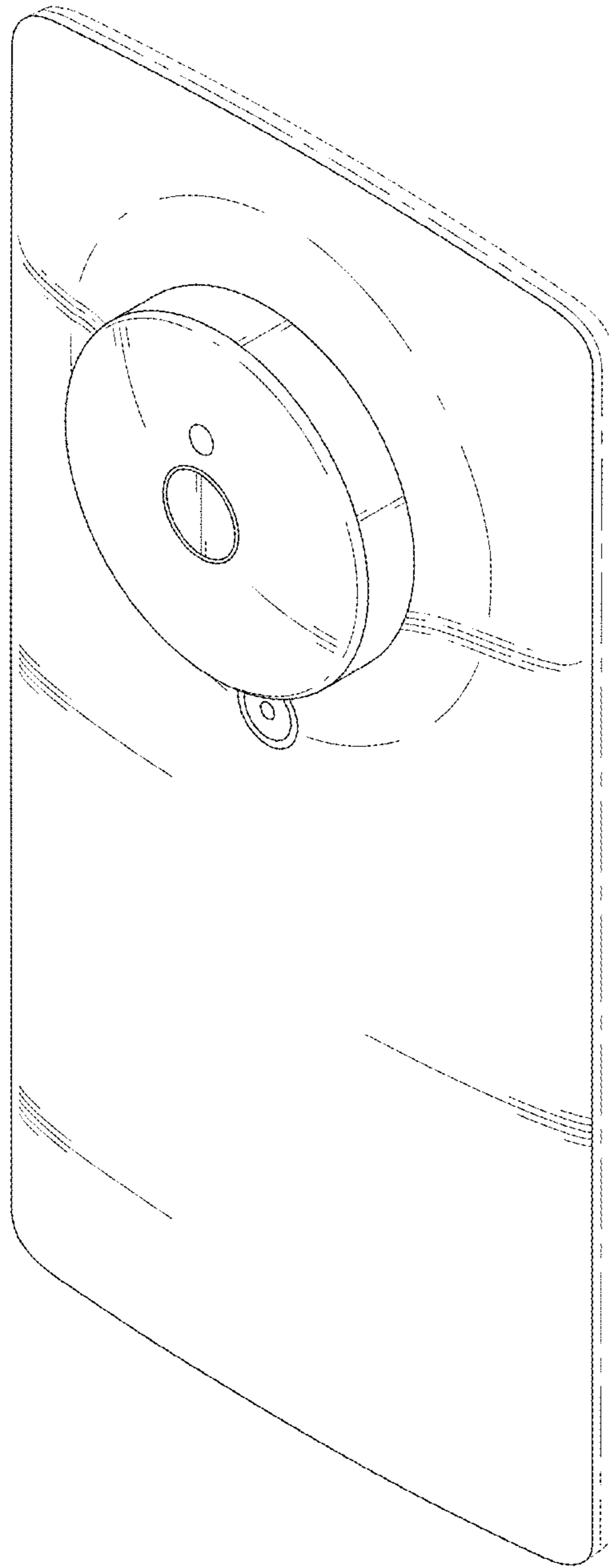


FIG. 10

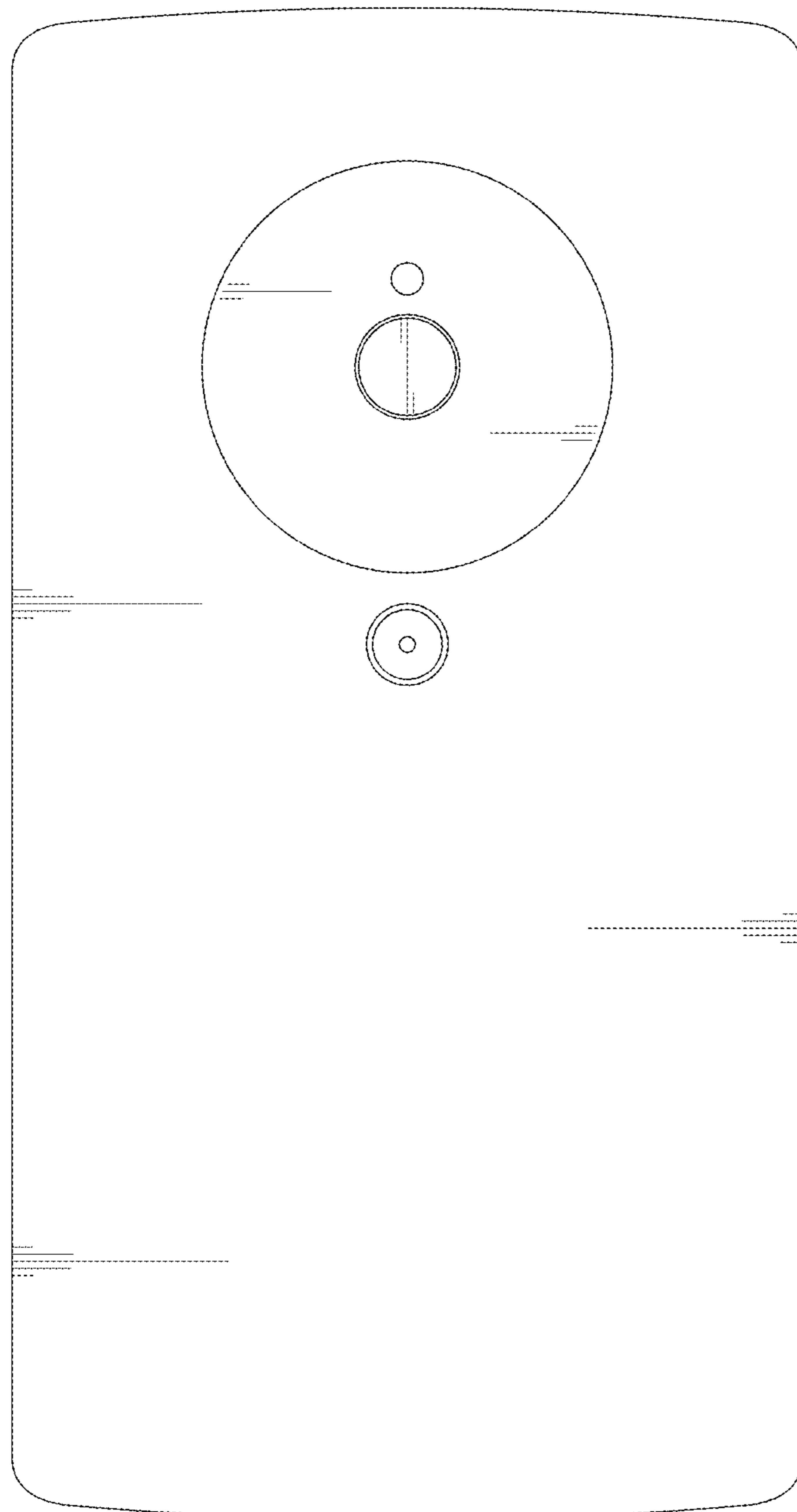


FIG. 11

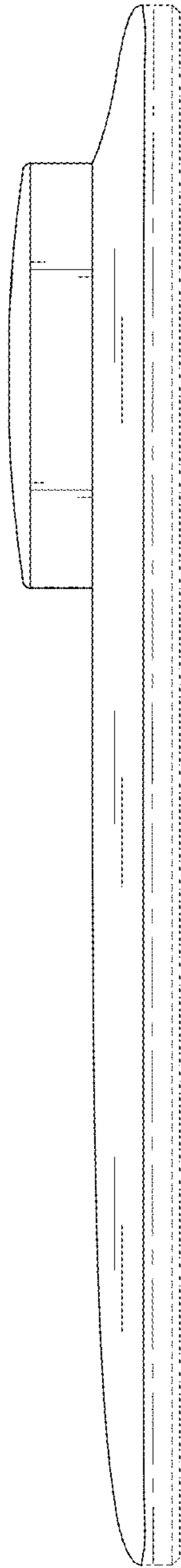


FIG. 12

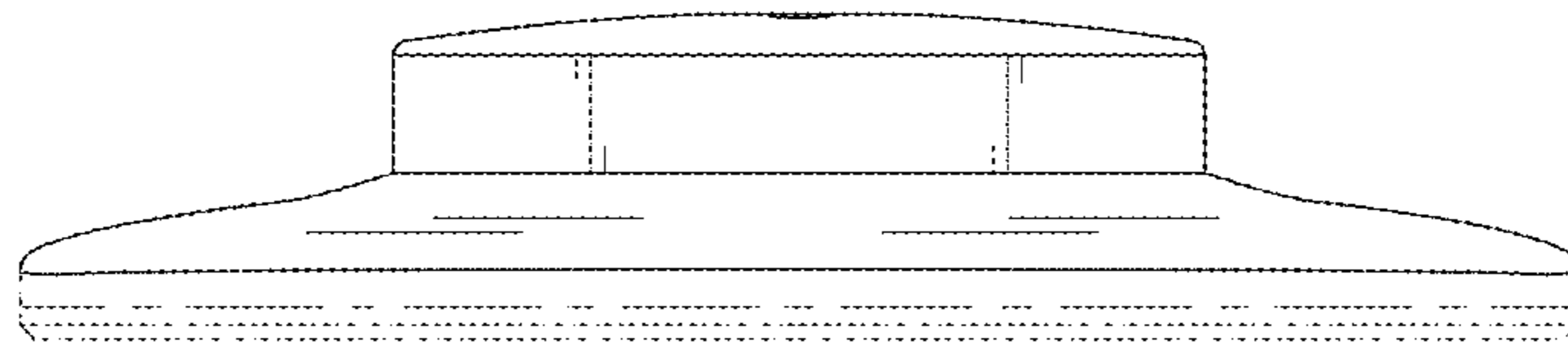


FIG. 13

