

US00D763837S

(12) **United States Design Patent**  
**Choe et al.**

(10) **Patent No.:** **US D763,837 S**  
(45) **Date of Patent:** **\*\* Aug. 16, 2016**

(54) **MOBILE PHONE**

(71) Applicant: **LG Electronics Inc.**, Seoul (KR)

(72) Inventors: **Sha Rim Choe**, Seoul (KR); **Kyu Bong Choi**, Seoul (KR); **Eun Seok Choi**, Seoul (KR); **Joon Hyung Kim**, Seoul (KR)

(73) Assignee: **LG Electronics Inc.**, Seoul (KR)

(\*\*) Term: **14 Years**

(21) Appl. No.: **29/493,180**

(22) Filed: **Jun. 6, 2014**

(30) **Foreign Application Priority Data**

Apr. 7, 2014 (KR) ..... 30-2014-0017229

(51) **LOC (10) Cl.** ..... **14-03**

(52) **U.S. Cl.**  
USPC ..... **D14/248**

(58) **Field of Classification Search**  
USPC ... D14/138 G, 138 AD, 248, 138 R, 138 AC, D14/247, 137, 341-347  
CPC ..... H04M 1/0202; H04M 1/0235; H04M 1/0237; H04M 1/0239; H04M 1/0266; H04M 1/0268; H04M 1/027; H04M 1/0295  
See application file for complete search history.

(56) **References Cited**

**U.S. PATENT DOCUMENTS**

- D337,569 S \* 7/1993 Kando ..... D14/341
- D558,720 S \* 1/2008 Lee ..... D14/138 AD
- D635,537 S \* 4/2011 Kim ..... D14/138 G
- D637,996 S \* 5/2011 Kim ..... D14/203.3
- D671,086 S \* 11/2012 Yu ..... D14/138 G
- D695,703 S \* 12/2013 Lee ..... D14/138 G
- D695,704 S \* 12/2013 Kim et al. .... D14/138 G
- D696,663 S \* 12/2013 Andre ..... D14/341
- D711,339 S \* 8/2014 Yang ..... D14/138 G

- D719,124 S \* 12/2014 Kim ..... D14/138 AD
- D720,320 S \* 12/2014 Yang ..... D14/138 G
- D723,493 S \* 3/2015 Weng ..... D14/138 G
- D723,498 S \* 3/2015 Joung ..... D14/138 G
- D725,069 S \* 3/2015 Choe ..... D14/138 G
- D728,506 S \* 5/2015 Joung ..... D14/138 G
- D729,191 S \* 5/2015 Chung ..... D14/138 G
- D732,500 S \* 6/2015 Choe ..... D14/138 G
- D734,285 S \* 7/2015 Park ..... D14/138 G
- D734,733 S \* 7/2015 Park ..... D14/138 G

(Continued)

**OTHER PUBLICATIONS**

LG G3, announced May 2014, [online], [retrieved on Apr. 15, 2016]. Retrieved from Internet, <URL: <http://www.gsmarena.com>>.\*

(Continued)

*Primary Examiner* — Bridget L Eland

(74) *Attorney, Agent, or Firm* — Morgan, Lewis & Bockius LLP

(57) **CLAIM**

We claim the ornamental design for a mobile phone, as shown and described.

**DESCRIPTION**

FIG. 1 is a perspective view of a mobile phone showing the new design:

FIG. 2 is a front elevation view thereof;

FIG. 3 is a rear elevation view thereof;

FIG. 4 is a left-side elevation view thereof;

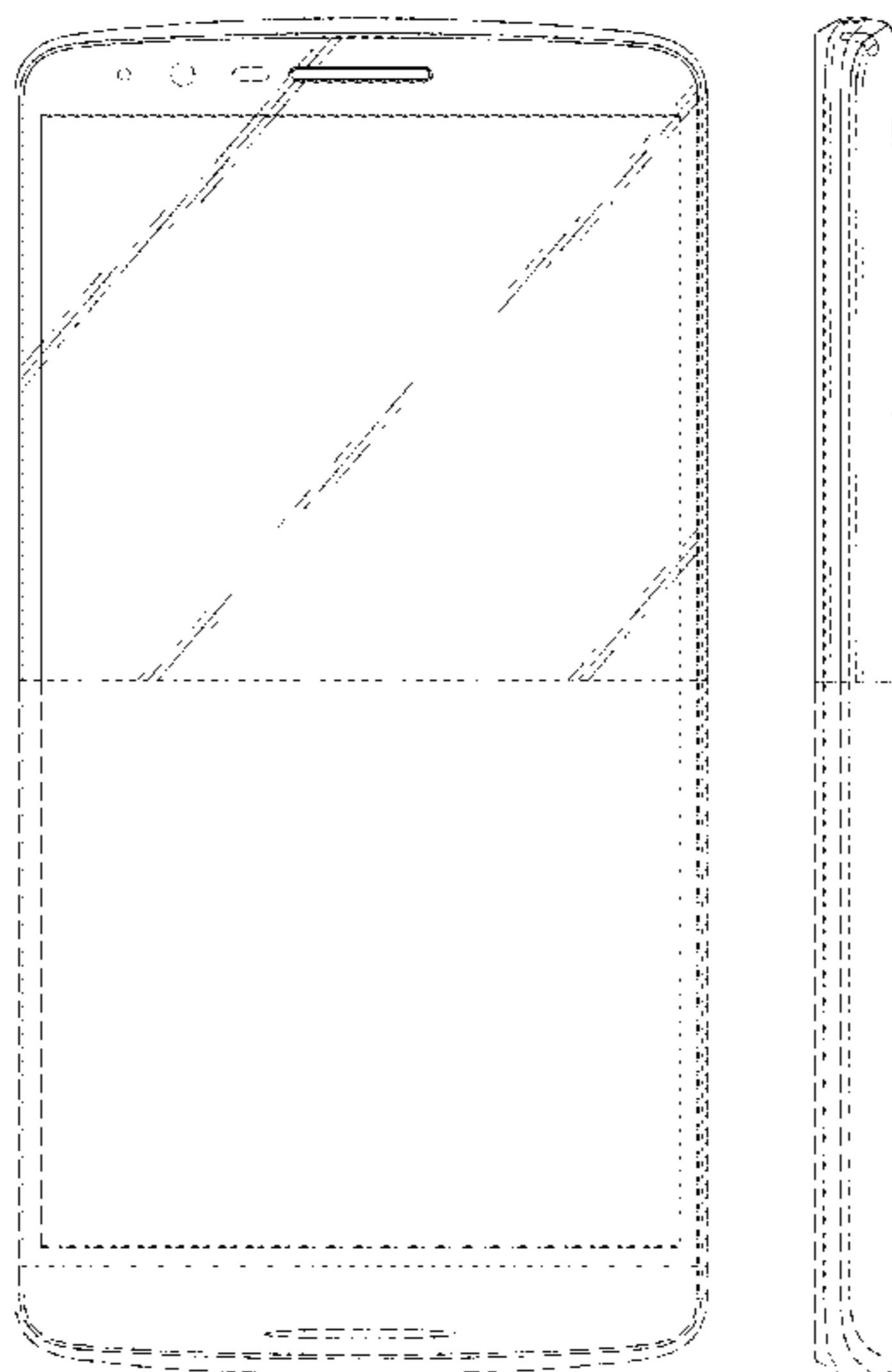
FIG. 5 is a right-side elevation view thereof;

FIG. 6 is a top plan view thereof; and,

FIG. 7 is a bottom plan view thereof.

The broken lines immediately adjacent to the shaded areas, encompassing unshaded regions, represent the bounds of the claim while all other broken lines, including the capsule shaped feature and two circles at the top front near the speaker opening, are directed to environment; the broken lines form no part of the claimed design.

**1 Claim, 4 Drawing Sheets**



(56)

**References Cited**

U.S. PATENT DOCUMENTS

D736,753 S \* 8/2015 Kang ..... D14/248  
D737,814 S \* 9/2015 Cha ..... D14/341  
D746,248 S \* 12/2015 Arnholt ..... D14/138 G  
D747,287 S \* 1/2016 Chang ..... D14/138 G  
D749,054 S \* 2/2016 Kim ..... D14/138 G  
2007/0218963 A1 \* 9/2007 Kim ..... H04M 1/0237  
455/575.4  
2008/0274776 A1 \* 11/2008 Cho ..... H04M 1/0237  
455/575.4

OTHER PUBLICATIONS

LG G3 (CDMA), announced Jul. 2014, [online], [retrieved on Apr. 15, 2016]. Retrieved from Internet ,<URL: <http://www.gsmarena.com>>.\*  
LG G3 S, announced Jul. 2014, [online], [retrieved on Apr. 15, 2016]. Retrieved from Internet ,<URL: <http://www.gsmarena.com>>.\*  
Garmin-Asus A10, announced Apr. 2010, [online], [retrieved on Jun. 11, 2010]. Retrieved from Internet ,<URL: <http://www.gsmarena.com>>.\*

\* cited by examiner

FIG. 1

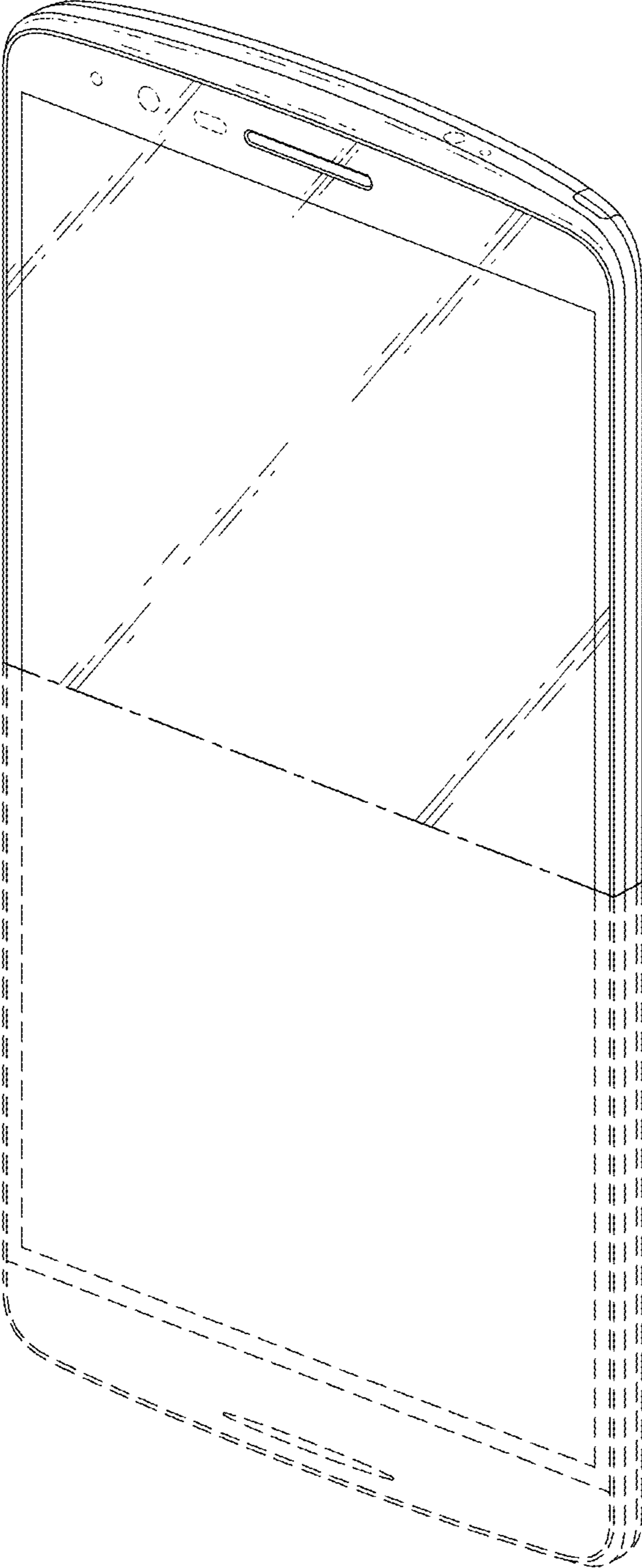


FIG.2

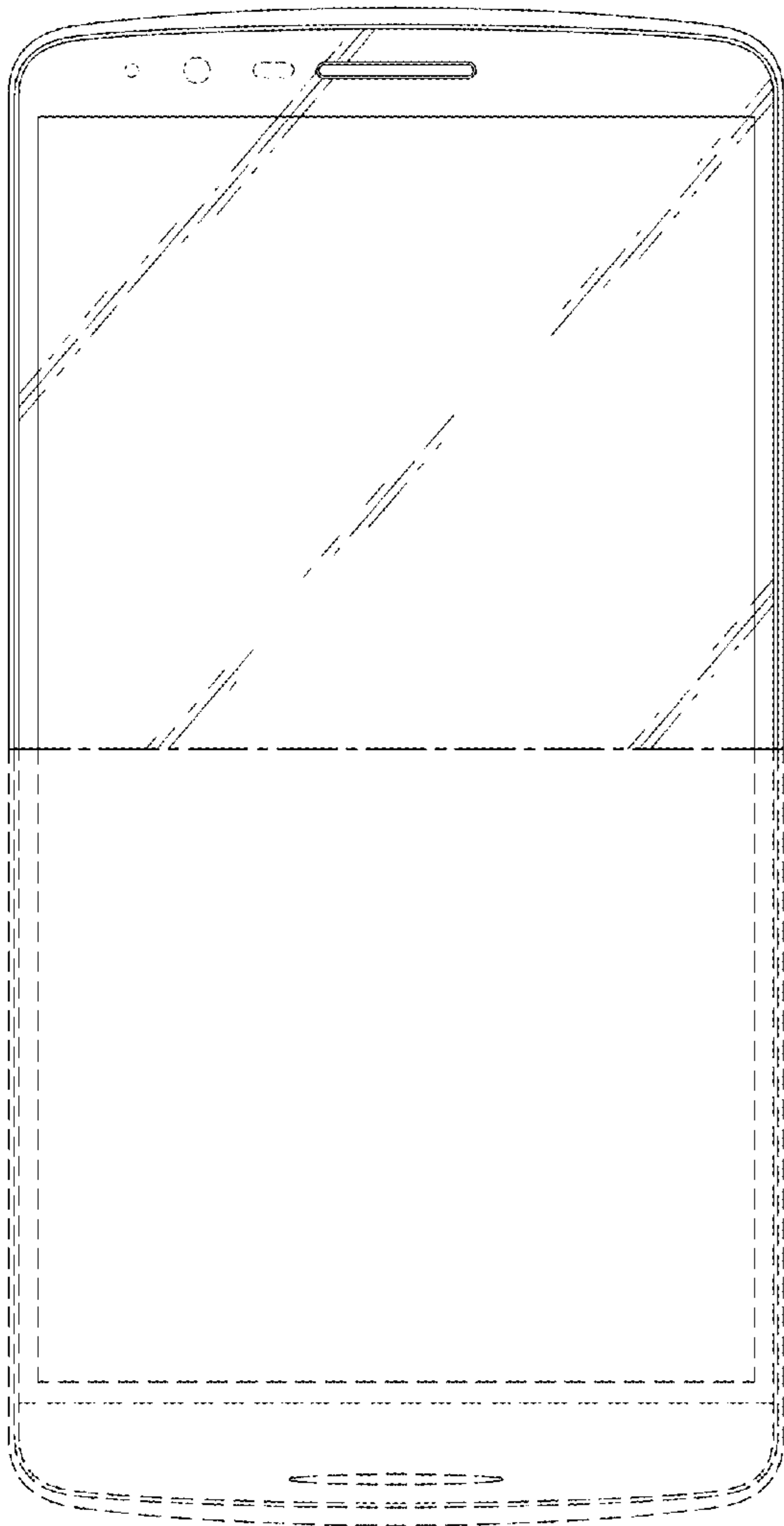


FIG.3

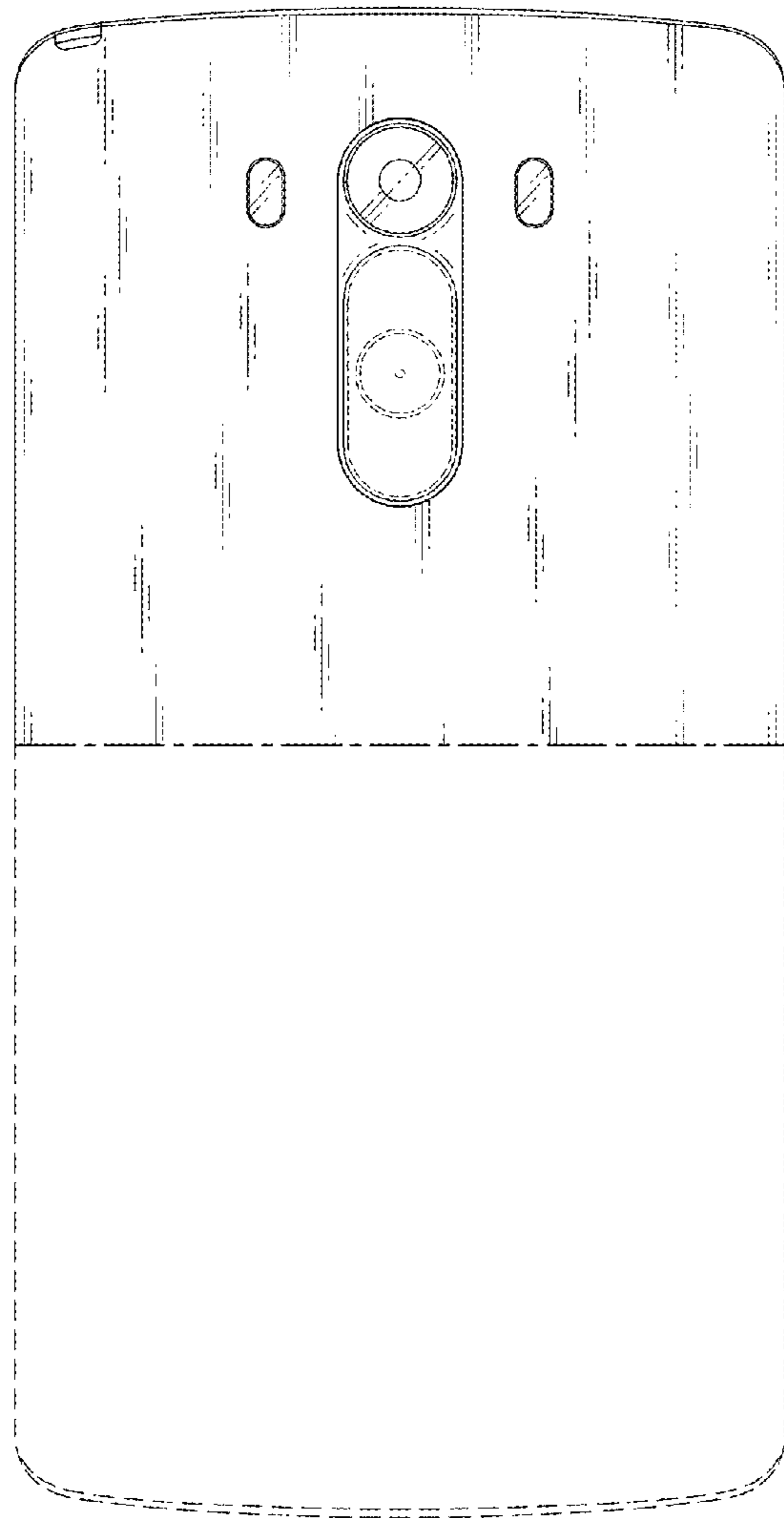


FIG. 4

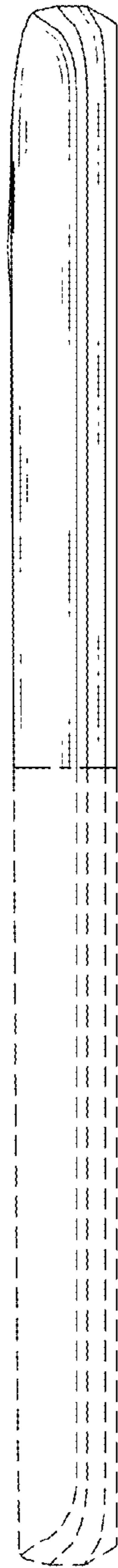


FIG. 5



FIG. 6

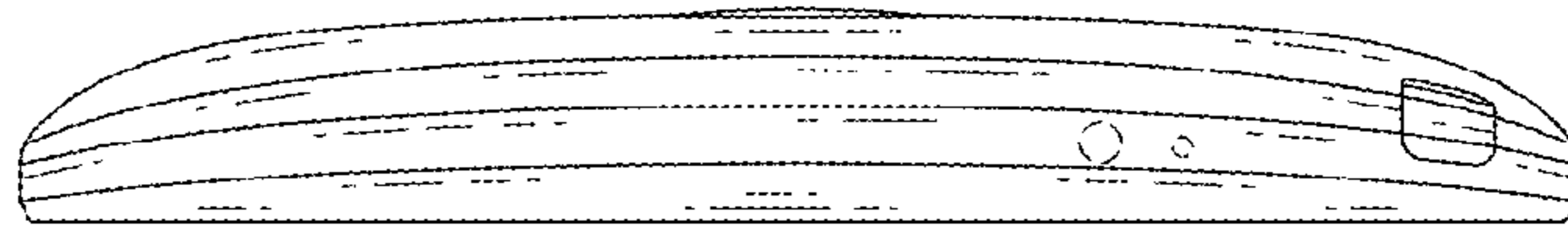


FIG. 7

