



US00D763831S

(12) **United States Design Patent**
Cherry, II

(10) **Patent No.:** **US D763,831 S**
(45) **Date of Patent:** **** Aug. 16, 2016**

- (54) **SPEAKER LED LIGHT RING**
- (71) Applicant: **Ronnie D. Cherry, II**, Terrell, TX (US)
- (72) Inventor: **Ronnie D. Cherry, II**, Terrell, TX (US)
- (**) Term: **15 Years**
- (21) Appl. No.: **29/537,025**
- (22) Filed: **Aug. 21, 2015**
- (51) **LOC (10) Cl.** **14-03**
- (52) **U.S. Cl.**
USPC **D14/221**; D16/216; D26/52
- (58) **Field of Classification Search**
USPC D14/167, 168, 170–172, 188, 194–196,
D14/204, 207, 209.1, 210–216, 219, 221,
D14/222, 224, 239, 496; 181/143, 144, 147,
181/148, 150, 153, 157, 198, 199;
381/300–303, 306, 332, 333, 336, 345,
381/361–364, 386–388; 369/6–12;
D26/1–4, 24, 26, 51
CPC B60R 11/0217; G06F 1/1688; G10K 9/22;
G10K 11/004; H03F 1/327; H04M 1/03;
H04M 1/035; H04N 5/642; H04N 21/4852;
H04R 1/02; H04R 1/06; H04R 1/021; H04R
1/025; H04R 1/026; H04R 1/028; H04R
1/105; H04R 1/323; H04R 1/403; H04R
1/2803; H04R 1/2834; H04R 5/02; H04R
7/20; H04R 9/06; H04R 9/025; H04R
2201/025; H04R 2201/021; H04R 2400/00;
H04R 2400/07; H04R 2499/11; H04R
2499/13; H04R 2499/15; H04S 3/00; H04S
7/30

See application file for complete search history.

(56) **References Cited**

U.S. PATENT DOCUMENTS

- D296,761 S * 7/1988 Mockett 379/438
- 6,254,248 B1 * 7/2001 McAuley A01M 1/2083
362/101

(Continued)

Primary Examiner — Keli L Hill
(74) *Attorney, Agent, or Firm* — QuickPatents, LLC; Kevin Prince

(57) **CLAIM**

I claim the ornamental design for a speaker LED light ring, as shown and described.

DESCRIPTION

FIG. 1 is a perspective view of a speaker LED light ring, showing a first embodiment of my new design as mounted with a speaker;

FIG. 2 is a perspective view of FIG. 1, illustrated without the speaker;

FIG. 3 is a front elevational view of FIG. 1;

FIG. 4 is a rear elevational view of FIG. 1;

FIG. 5 is a right-side elevational view of FIG. 1;

FIG. 6 is a left-side elevational view of FIG. 1;

FIG. 7 is a top plan view of FIG. 1;

FIG. 8 is a bottom plan view of FIG. 1;

FIG. 9 is a perspective view of a second embodiment thereof as mounted with the speaker;

FIG. 10 is a perspective view of FIG. 9, illustrated without the speaker;

FIG. 11 is a front elevational view of FIG. 9;

FIG. 12 is a rear elevational view of FIG. 9;

FIG. 13 is a right-side elevational view of FIG. 9;

FIG. 14 is a left-side elevational view of FIG. 9;

FIG. 15 is a top plan view of FIG. 9;

FIG. 16 is a bottom plan view of FIG. 9;

FIG. 17 is a perspective view of a third embodiment thereof as mounted with the speaker;

FIG. 18 is a perspective view of FIG. 17 without the speaker;

FIG. 19 is a front elevational view of FIG. 17;

FIG. 20 is a rear elevational view of FIG. 17;

FIG. 21 is a right-side elevational view of FIG. 17;

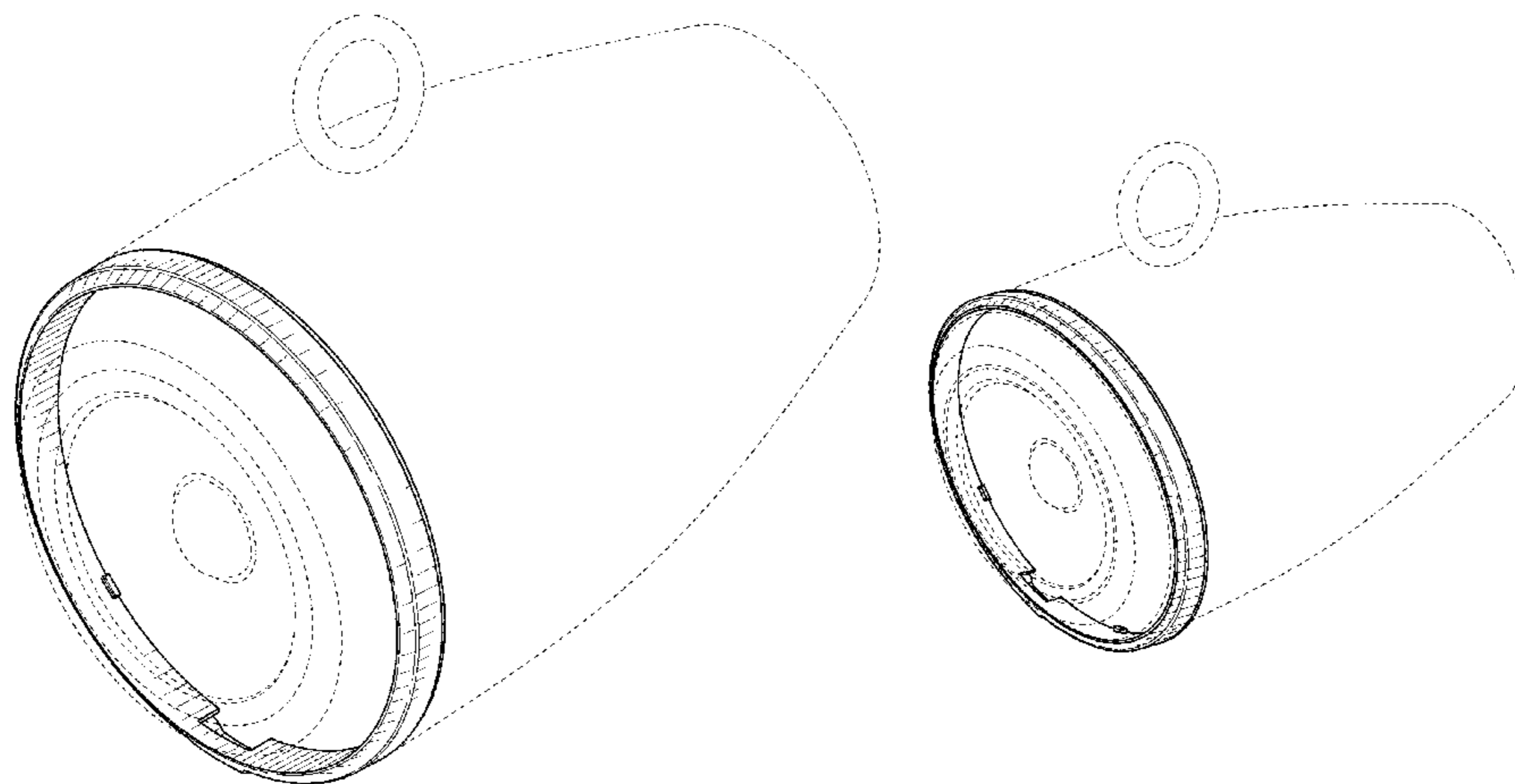
FIG. 22 is a left-side elevational view of FIG. 17;

FIG. 23 is a top plan view of FIG. 17; and,

FIG. 24 is a bottom plan view of FIG. 17.

The broken lines showing a speaker in FIGS. 1, 9, and 17 depict environmental matter and form no part of the claimed design.

1 Claim, 8 Drawing Sheets



US D763,831 S

Page 2

(56)

References Cited

U.S. PATENT DOCUMENTS

D508,119 S * 8/2005 Shayan D23/209
D550,144 S * 9/2007 Hord D12/317

D670,419 S * 11/2012 Fissell D26/51
D686,354 S * 7/2013 Feigenbaum D26/24
D712,073 S * 8/2014 Hirabayashi D26/2
D740,199 S * 10/2015 Akita D12/307

* cited by examiner

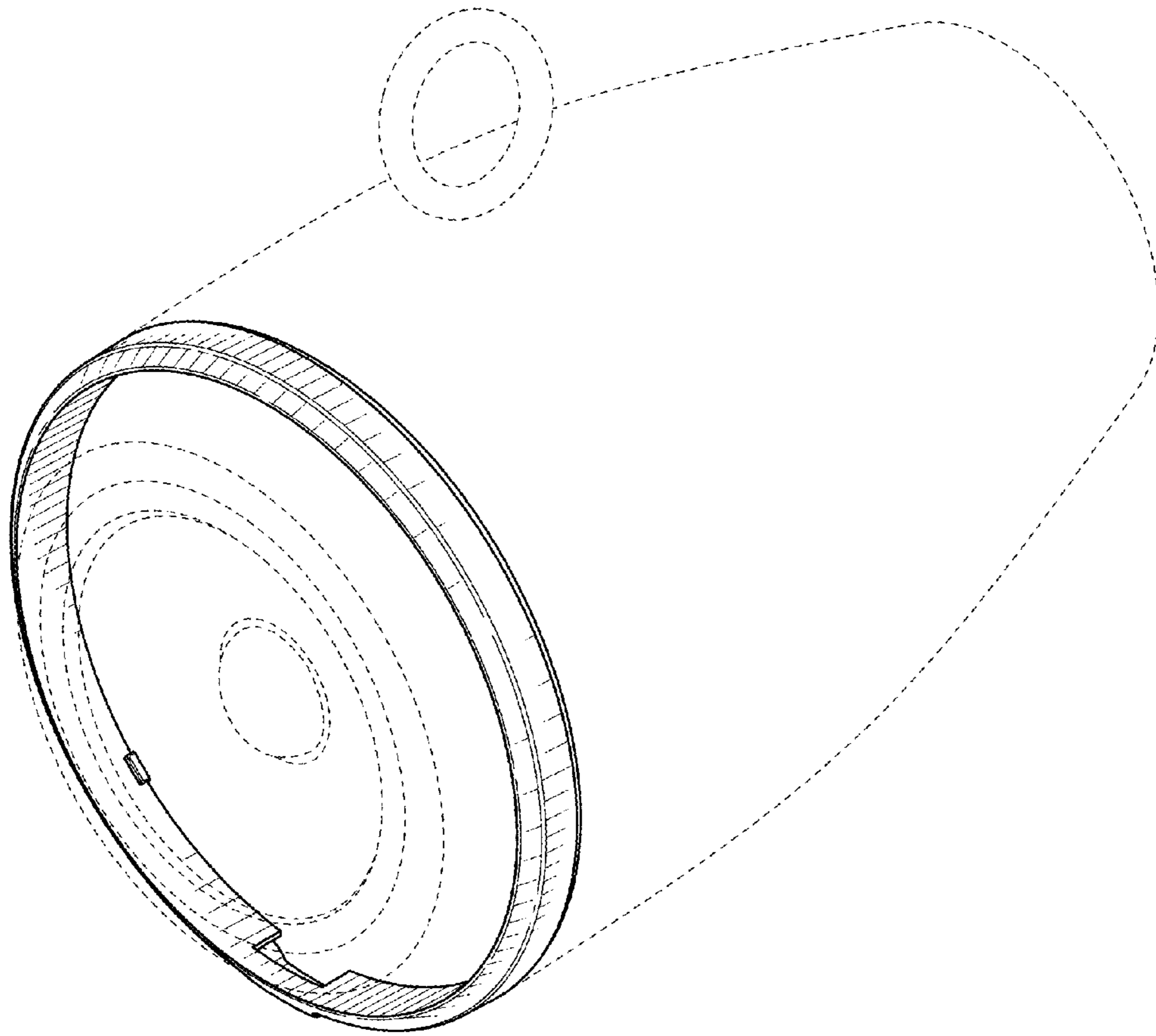


FIG. 1

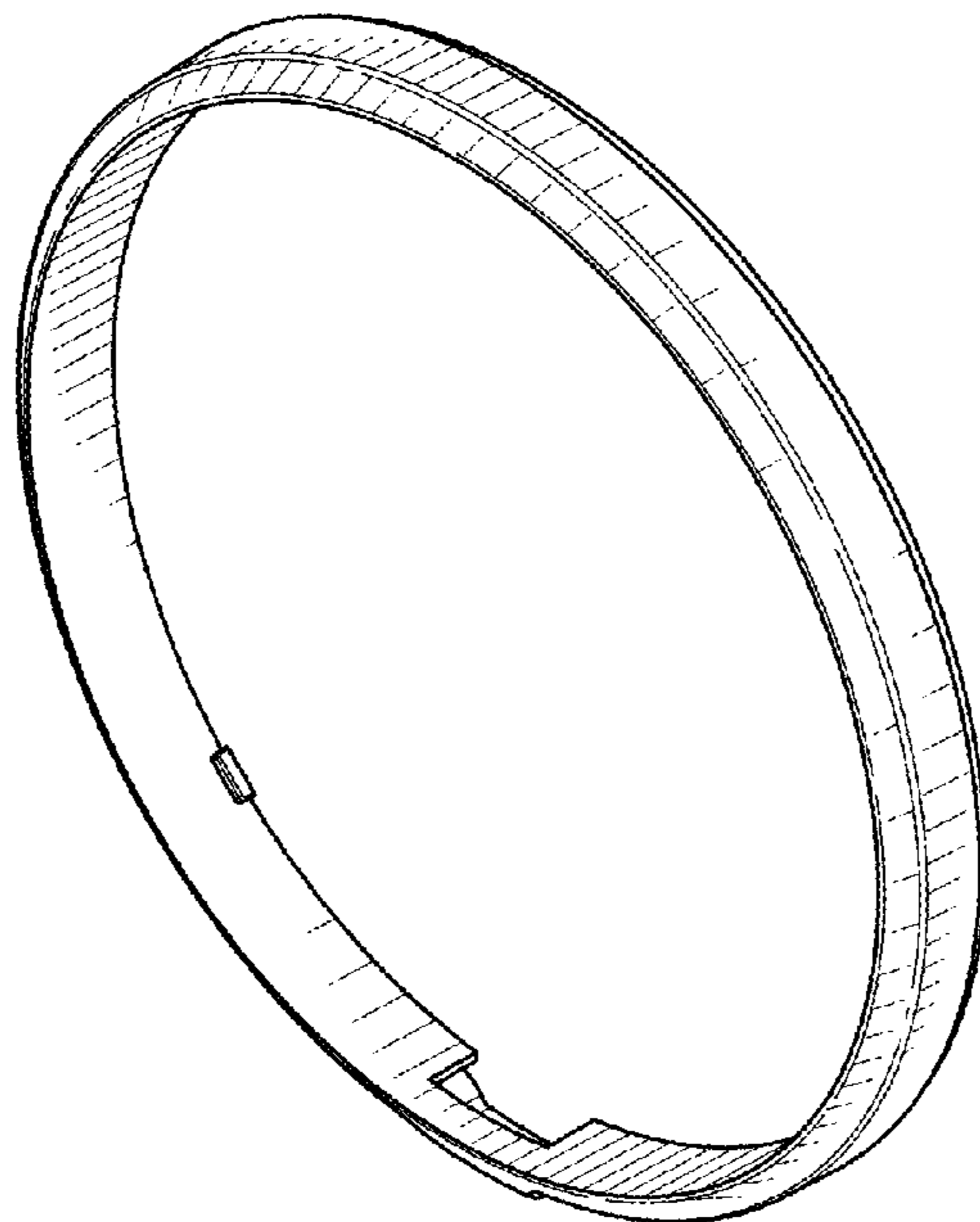


FIG. 2

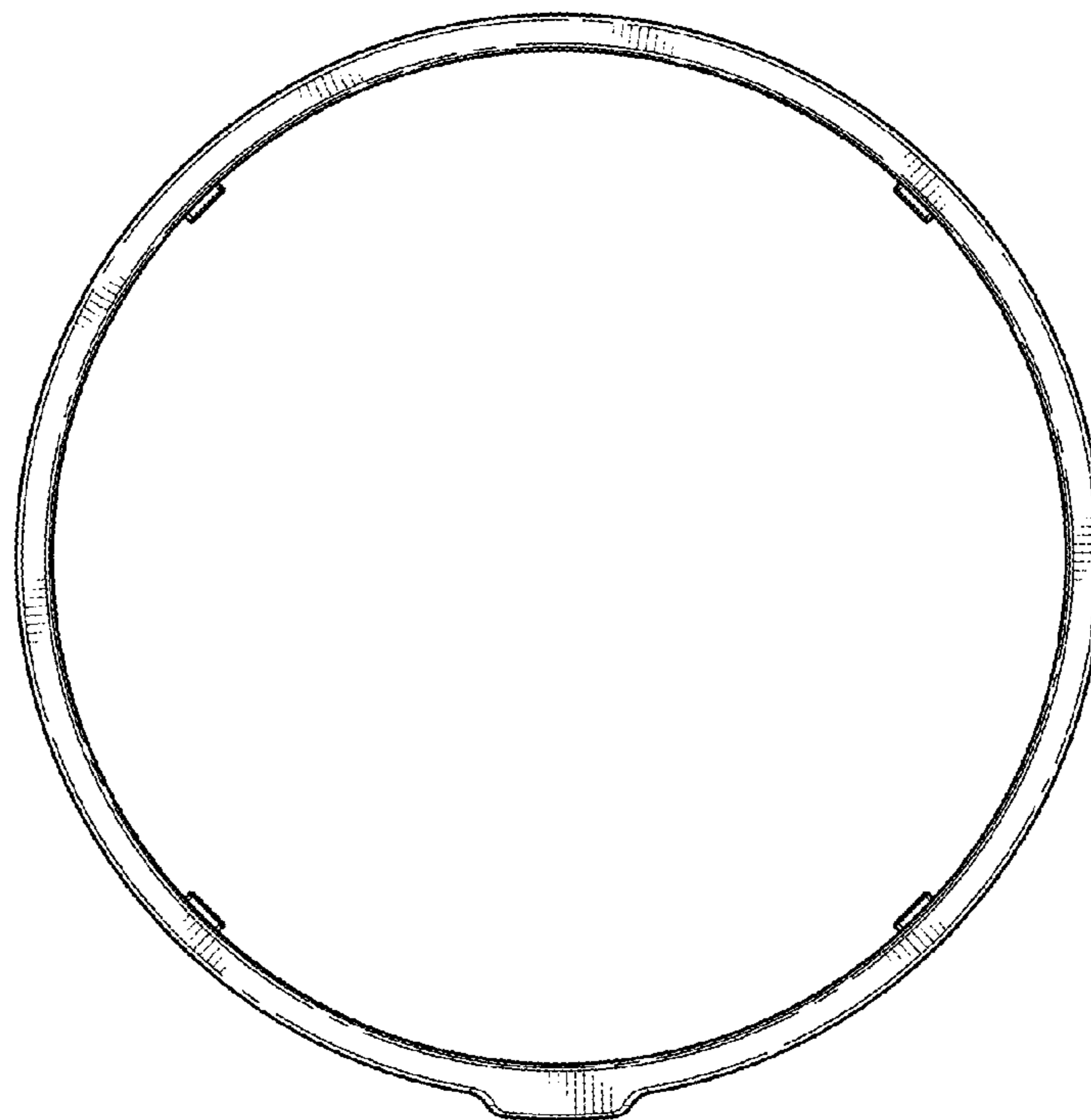


FIG. 3

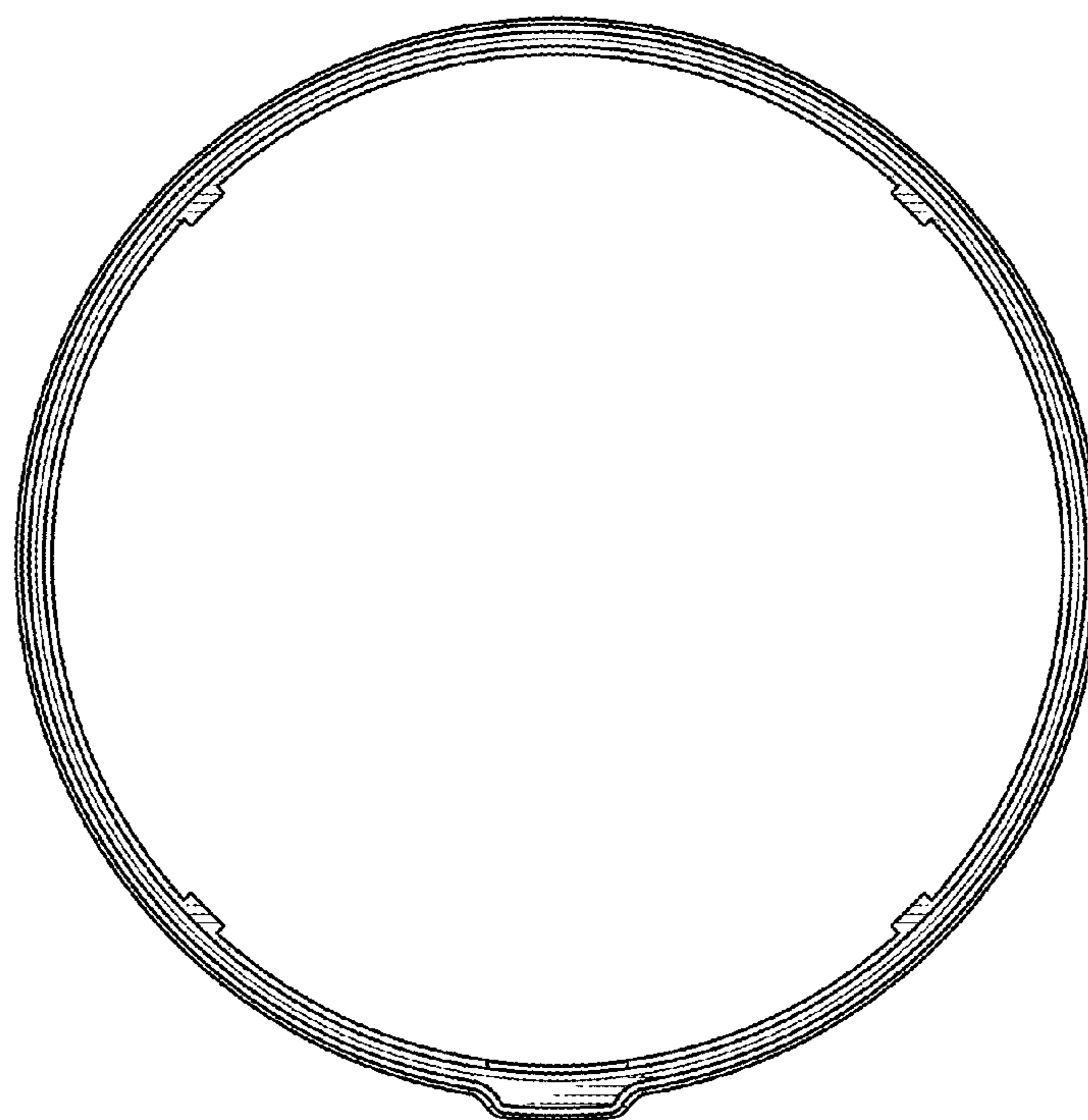


FIG. 4



FIG. 5

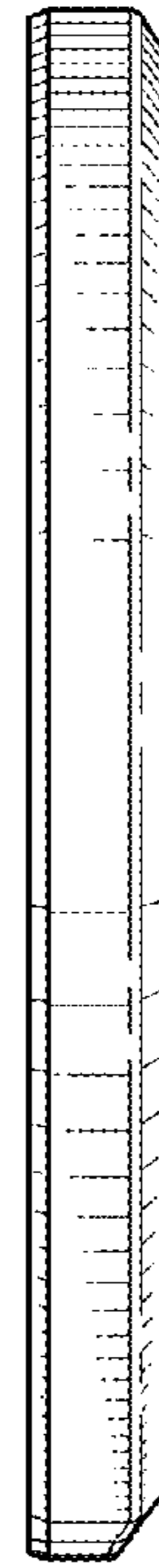


FIG. 6

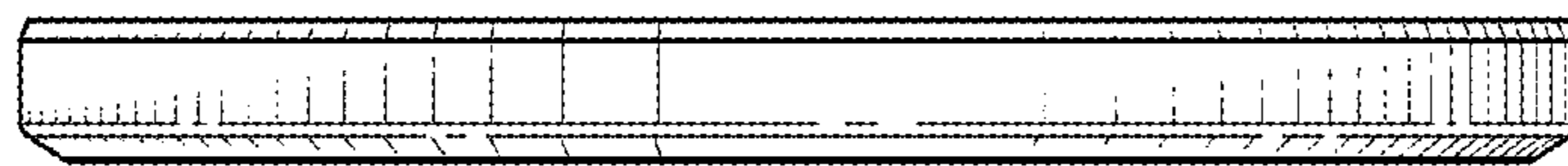


FIG. 7

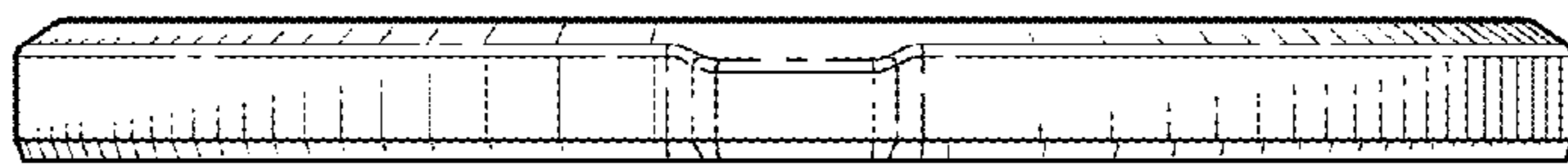


FIG. 8

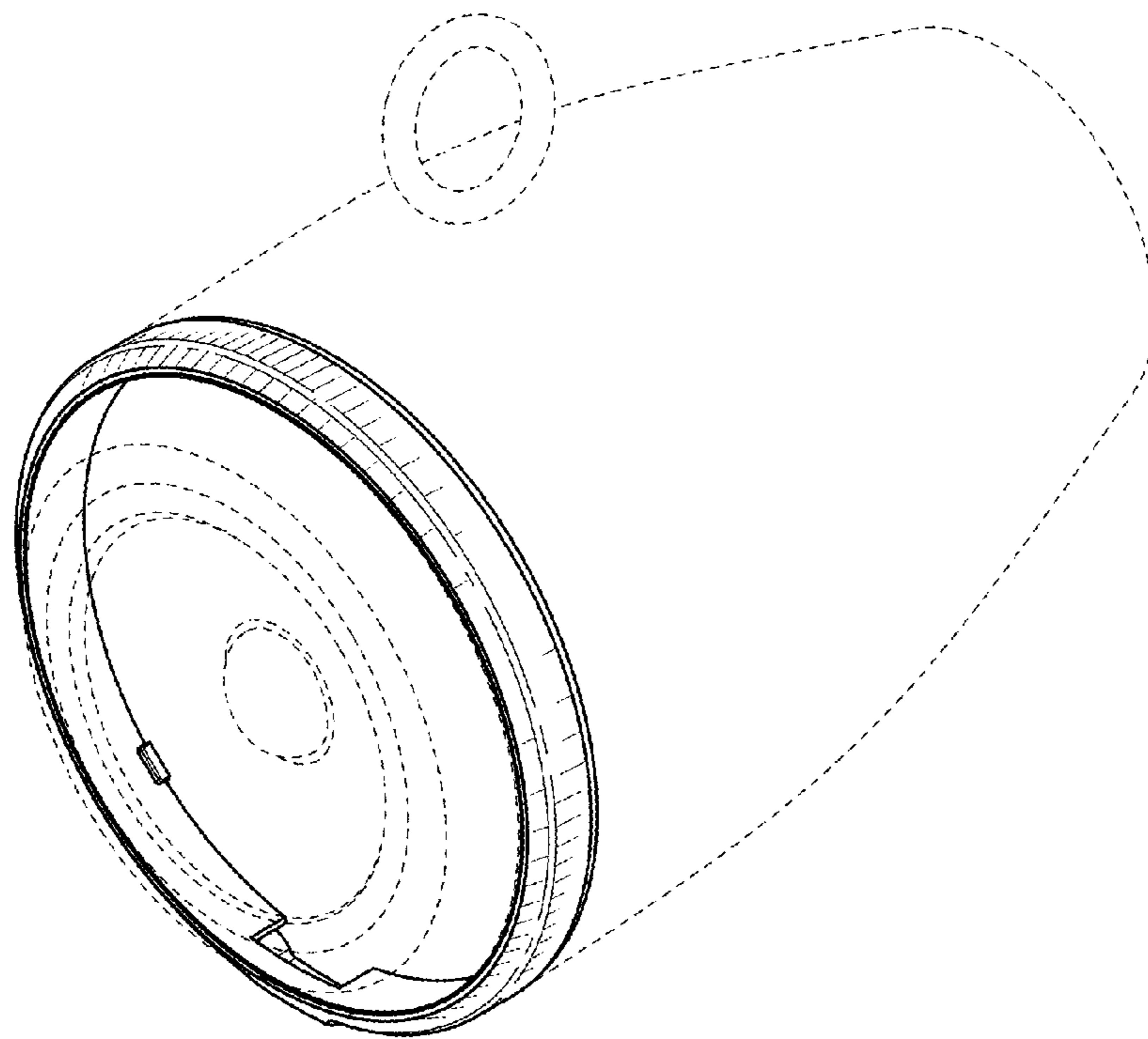


FIG. 9

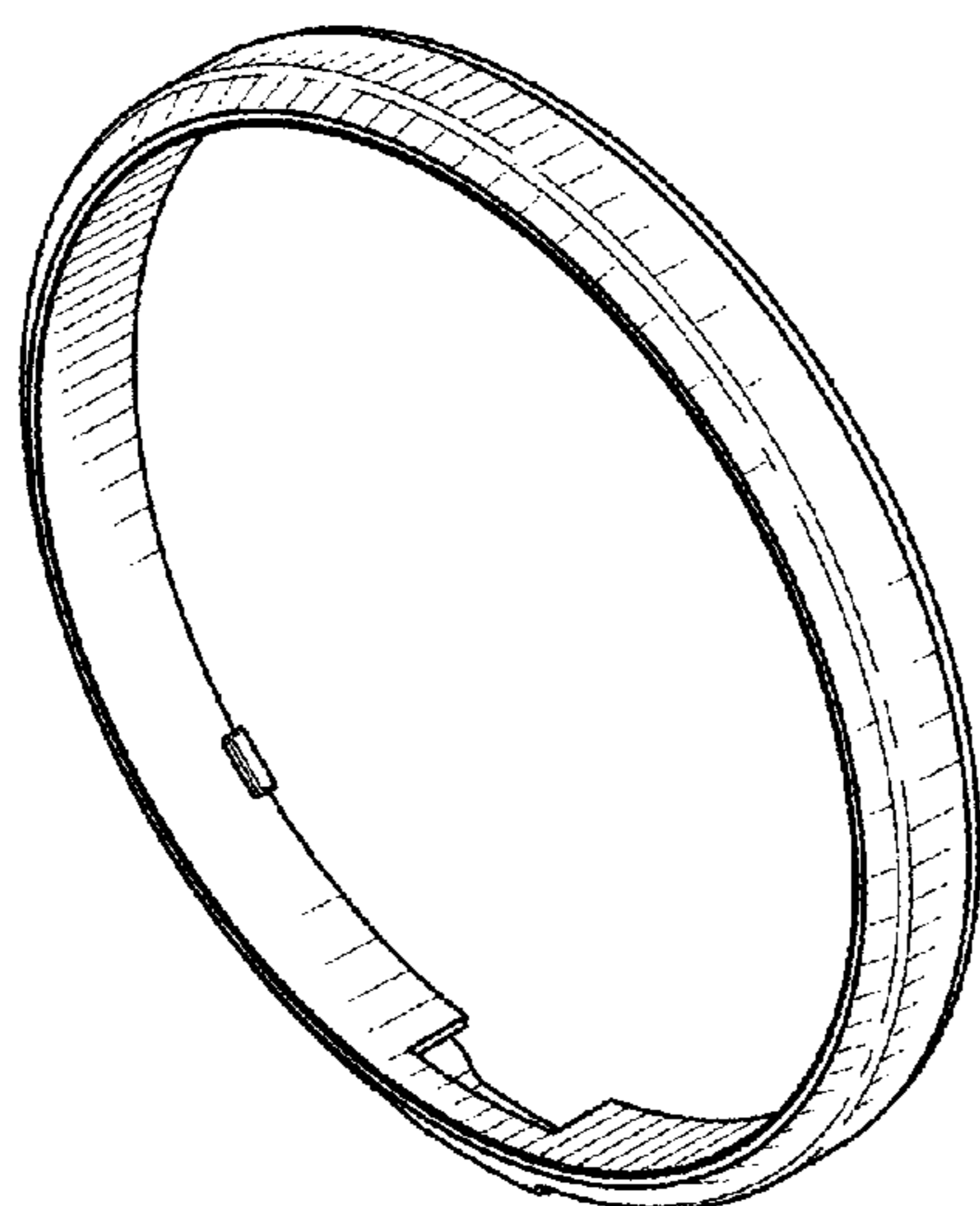


FIG. 10

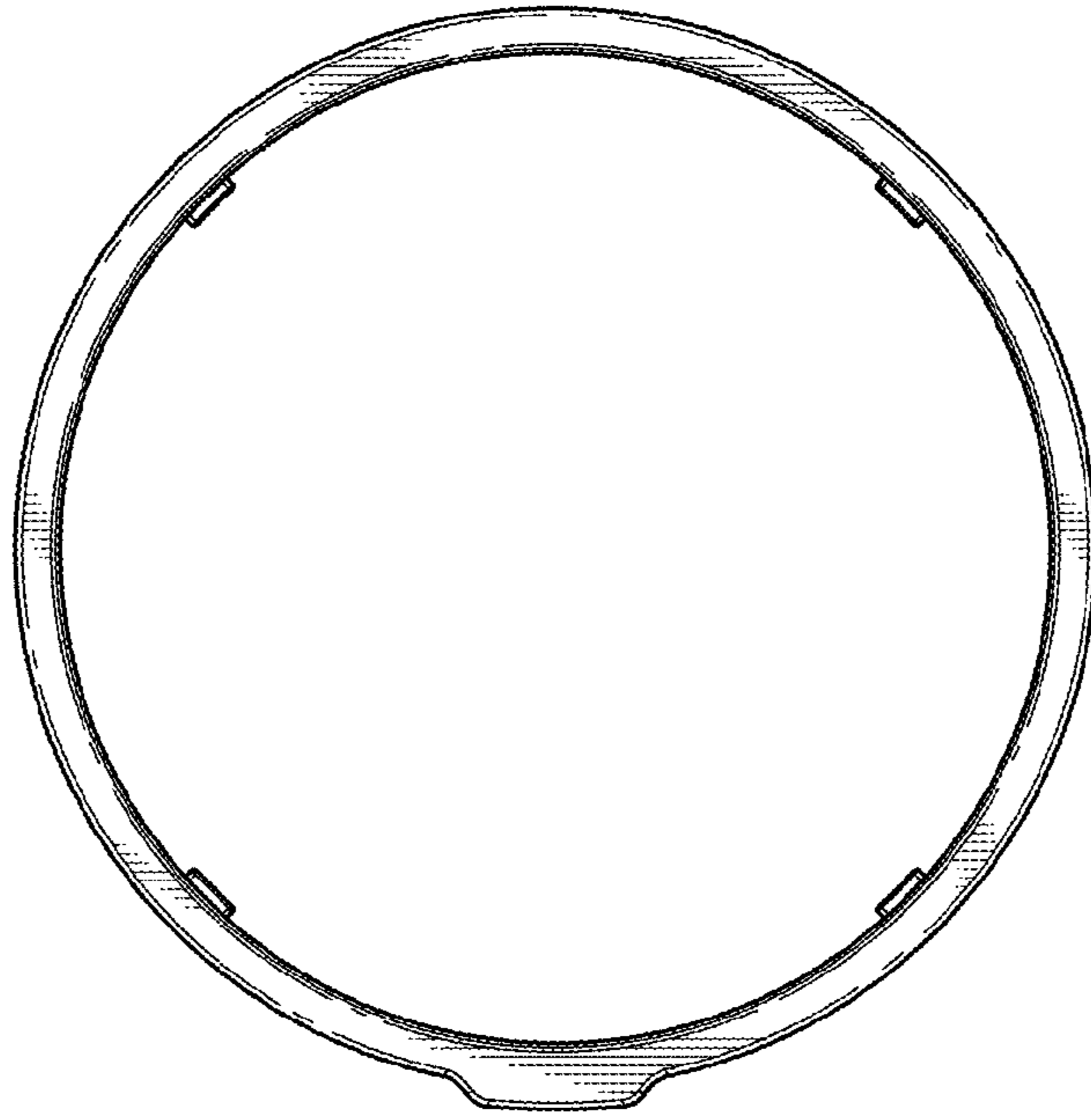


FIG. 11

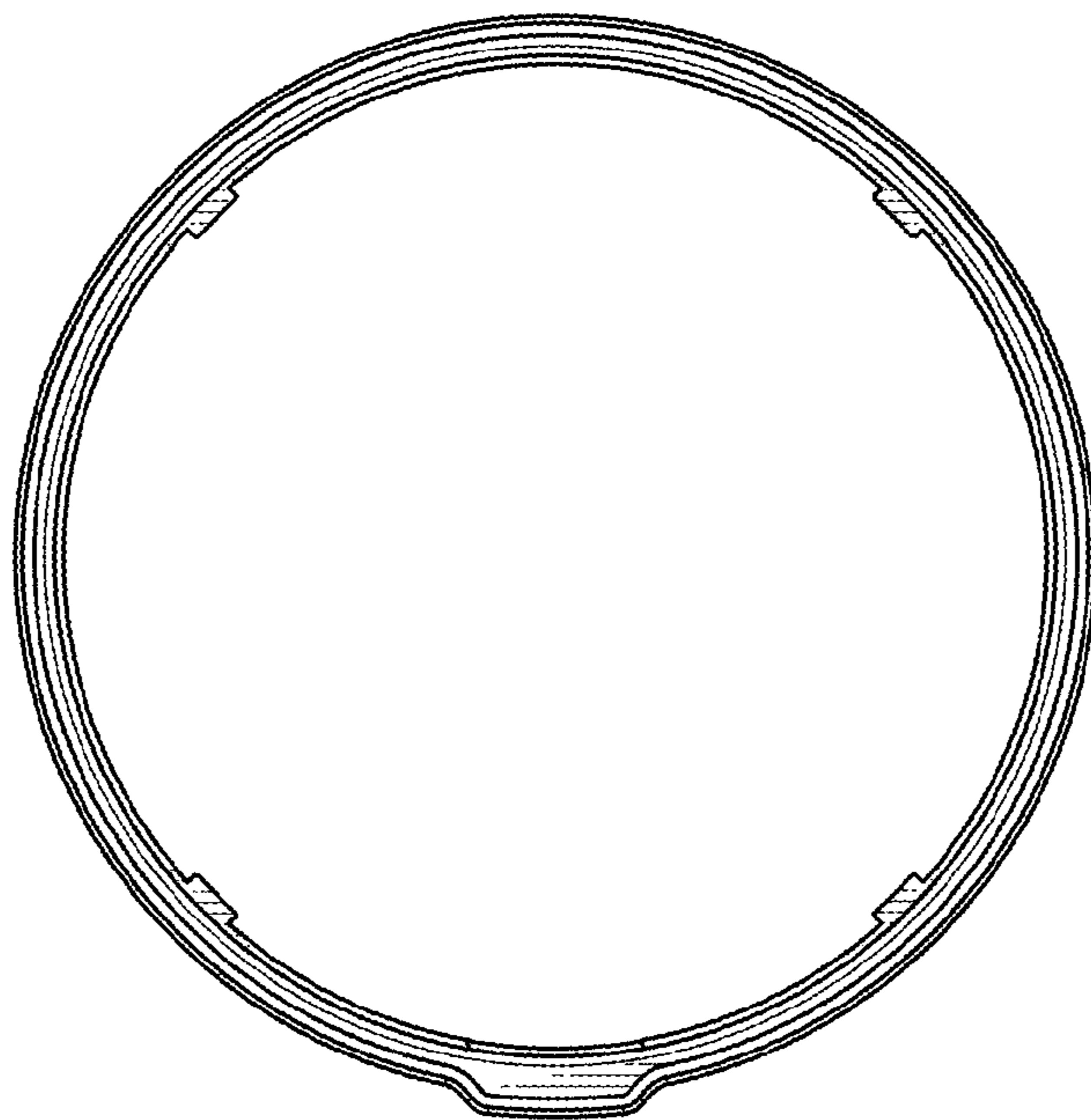


FIG. 12



FIG. 13

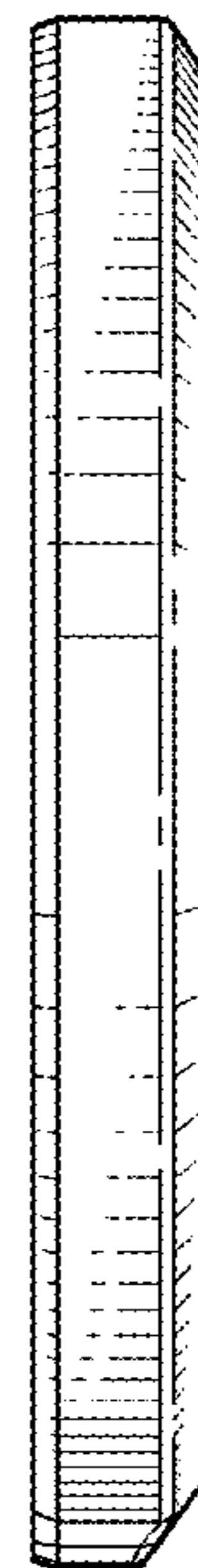


FIG. 14

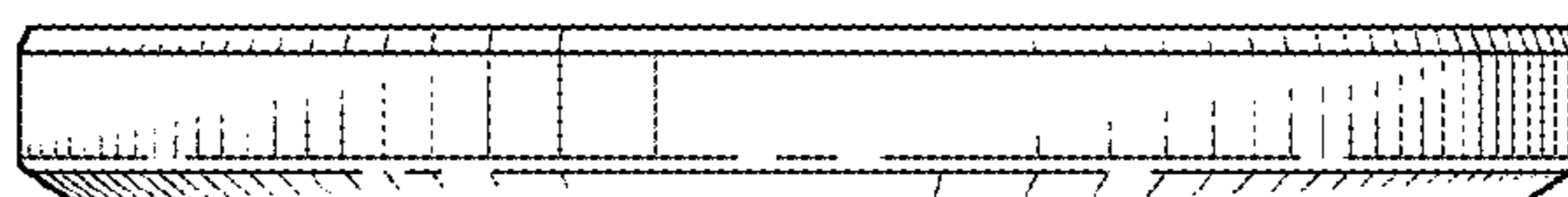


FIG. 15

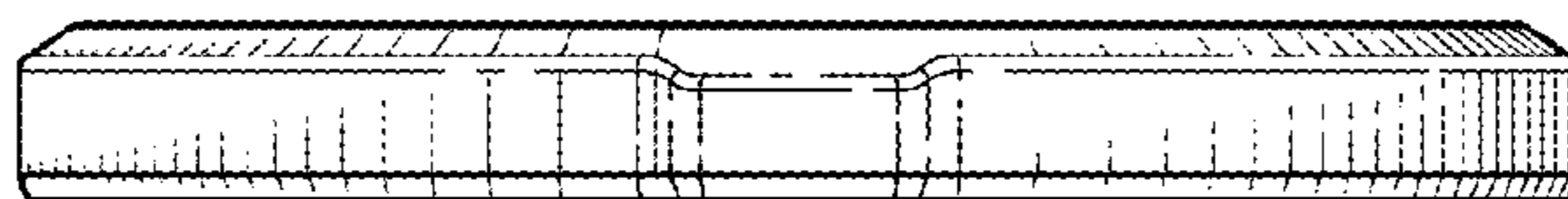


FIG. 16

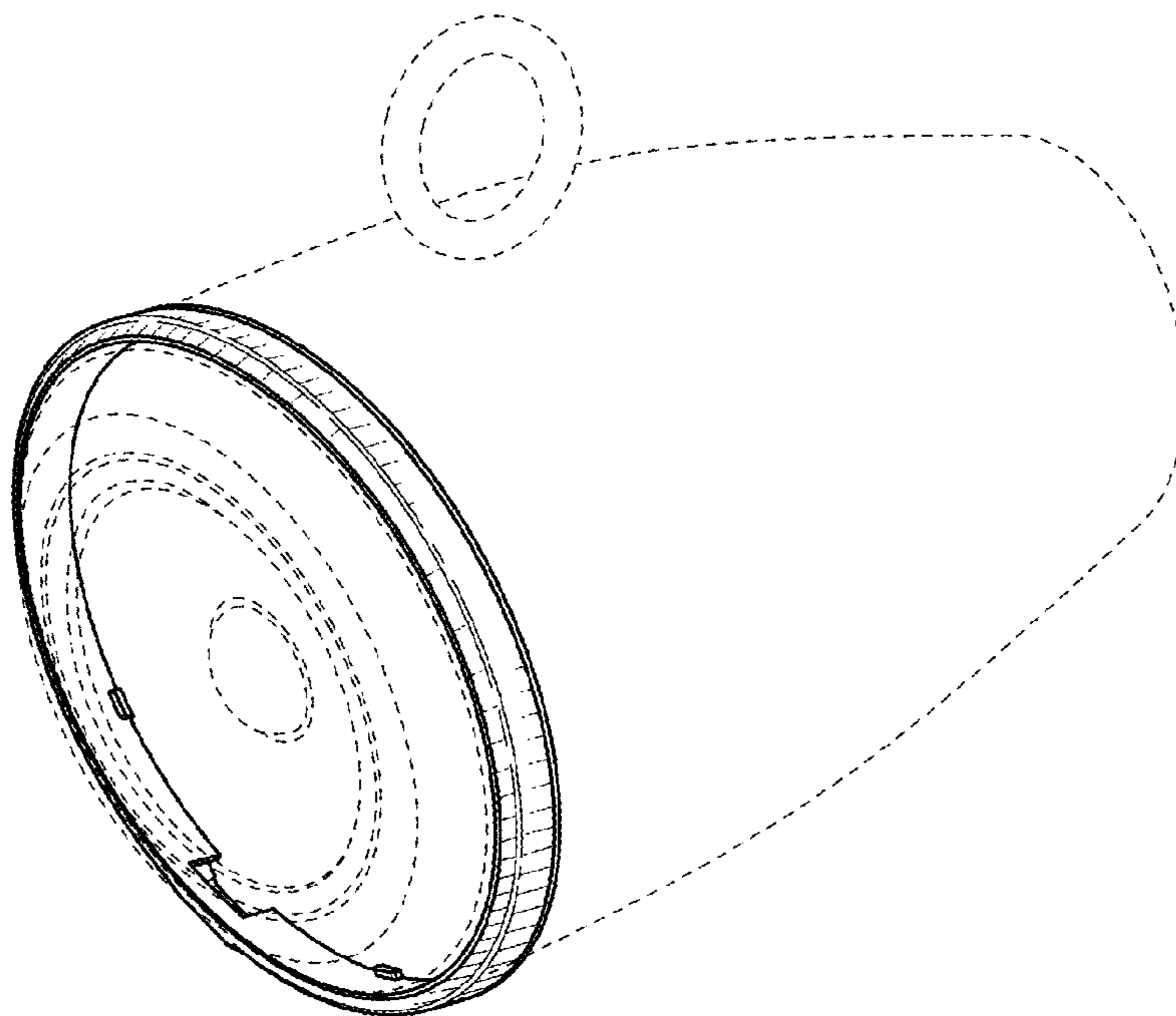


FIG. 17

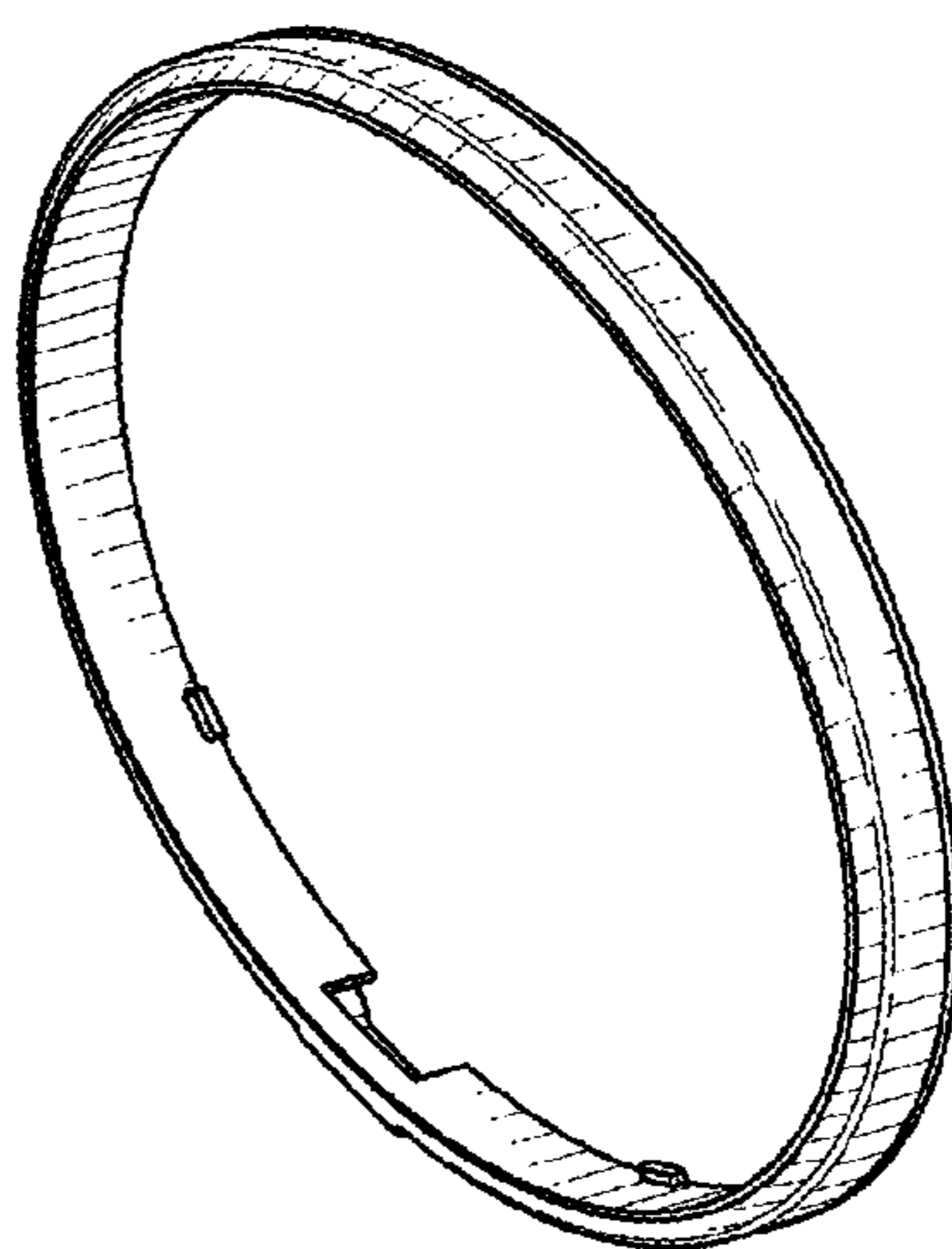


FIG. 18

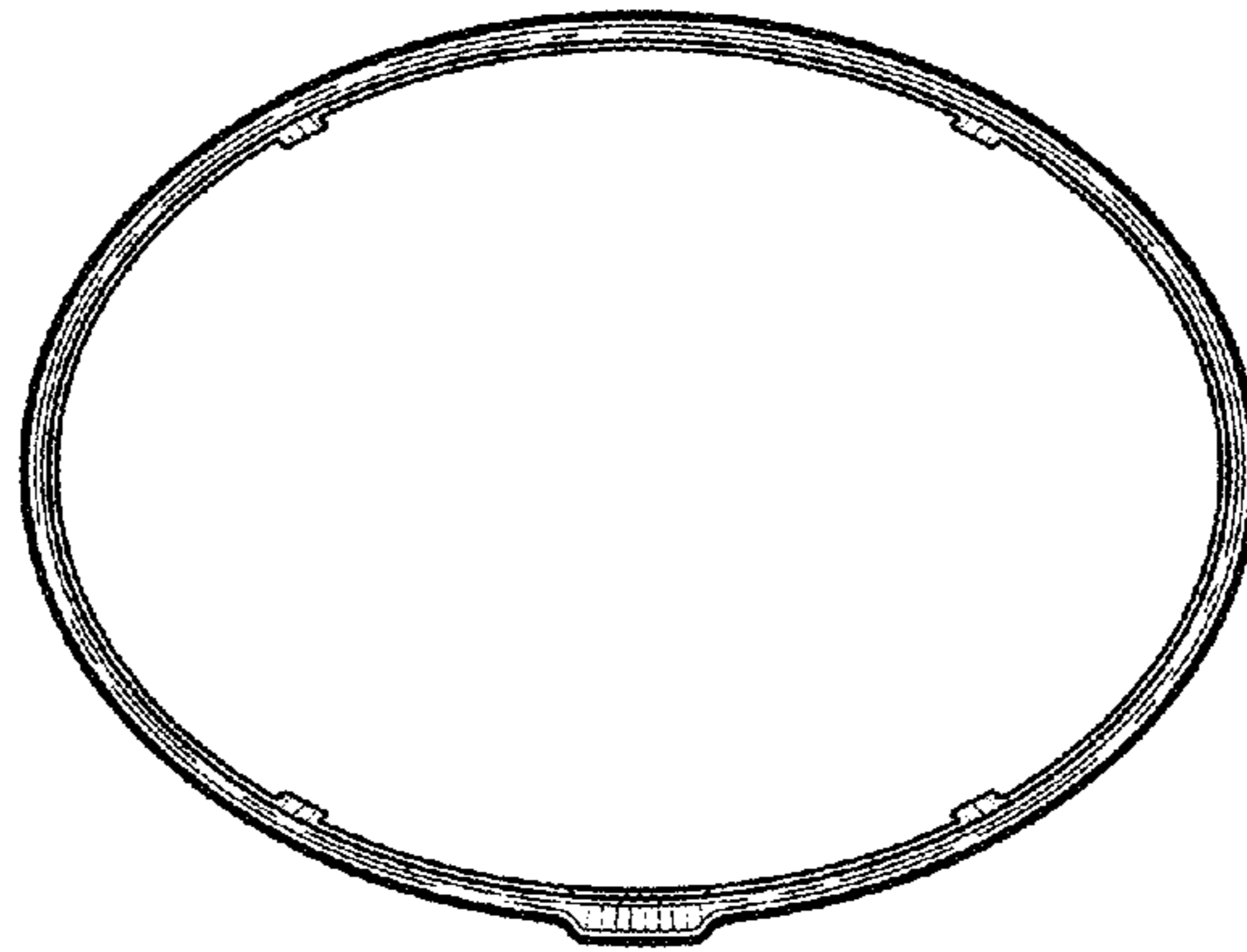


FIG. 19

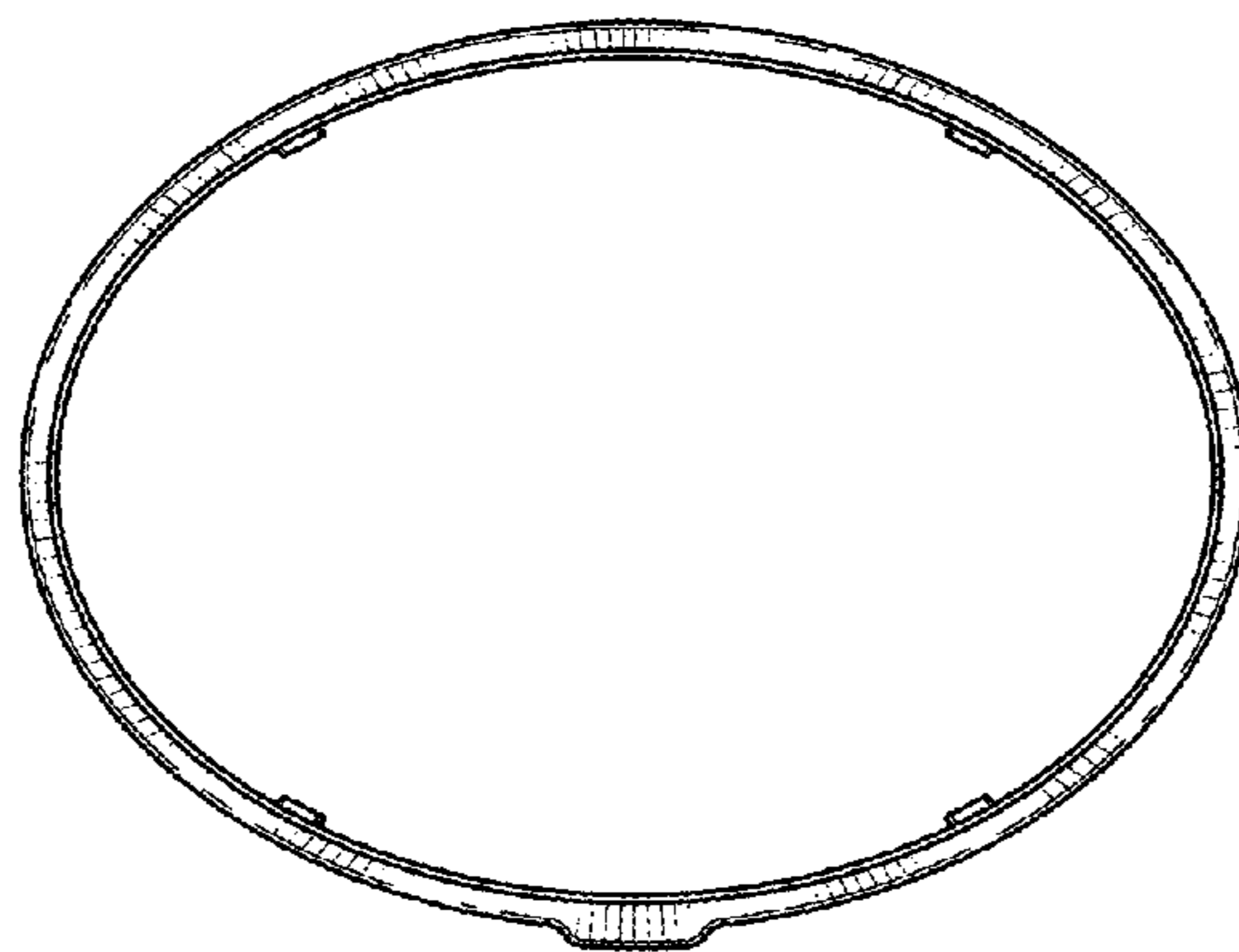


FIG. 20



FIG. 21



FIG. 22

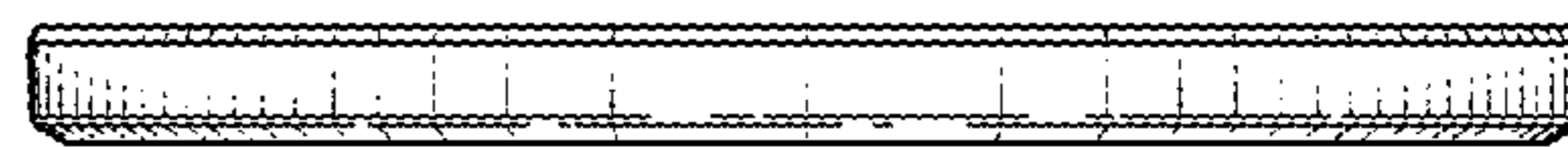


FIG. 23



FIG. 24