



US00D763828S

(12) **United States Design Patent**  
**Yoo**

(10) **Patent No.:** **US D763,828 S**

(45) **Date of Patent:** **\*\* Aug. 16, 2016**

(54) **HEADWEAR ACCESSORY**

(71) Applicant: **Oakley, Inc.**, Foothill Ranch, CA (US)

(72) Inventor: **George Yoo**, Aliso Viejo (CA)

(73) Assignee: **Oakley, Inc.**, Foothill Ranch, CA (US)

(\*\*) Term: **15 Years**

(21) Appl. No.: **29/529,885**

(22) Filed: **Jun. 11, 2015**

(51) **LOC (10) Cl.** ..... **14-01**

(52) **U.S. Cl.**  
USPC ..... **D14/217**

(58) **Field of Classification Search**  
USPC ..... D14/217, 168, 156, 433, 436, 372, 224,  
D14/224.1; D29/112; 2/209, 10; D16/309;  
D3/218; 345/7, 8; 351/158; 361/686,  
361/685, 679.4; 379/420.01, 430;  
455/556.1

CPC ..... G06F 1/16; G02C 5/00; G02B 27/017  
See application file for complete search history.

(56) **References Cited**

**U.S. PATENT DOCUMENTS**

1,225,422	A *	5/1917	Feher	.....	A42B 1/068 128/866
2,535,269	A *	12/1950	Coie	.....	H04M 1/05 379/446
3,741,635	A	6/1973	Wortman		
D260,272	S *	8/1981	Horntrich	.....	D19/163
4,882,769	A	11/1989	Gallimore		
5,159,639	A	10/1992	Shannon et al.		
D342,080	S	12/1993	Cargle		
5,335,285	A	8/1994	Gluz		
D352,300	S	11/1994	Gales		
5,367,345	A	11/1994	da Silva		
D375,500	S *	11/1996	Bungardt	.....	D14/223
5,606,743	A *	2/1997	Vogt	.....	H04B 1/086 16/228
5,608,808	A	3/1997	da Silva		
D381,346	S	7/1997	Ronzani et al.		
D382,874	S *	8/1997	Peschke	.....	D14/142

5,781,272	A	7/1998	Bright et al.		
5,953,435	A *	9/1999	Mullin	.....	H04R 1/105 381/328
D430,139	S *	8/2000	Peters	.....	D14/192
D435,211	S *	12/2000	Rusch	.....	D8/349
D442,553	S *	5/2001	Urban	.....	D13/147
6,256,386	B1 *	7/2001	Phillips	.....	H04M 1/05 379/430
6,301,050	B1	10/2001	DeLeon		
6,409,338	B1	6/2002	Jewell		
6,522,534	B1 *	2/2003	Wu	.....	G06K 19/041 312/223.2
D471,156	S *	3/2003	Sass	.....	D13/133

(Continued)

**OTHER PUBLICATIONS**

U.S. Appl. No. 29/521,662, filed Mar. 25, 2015, Yoo.

(Continued)

*Primary Examiner* — Paula Greene

(74) *Attorney, Agent, or Firm* — Knobbe Martens Olson & Bear, LLP

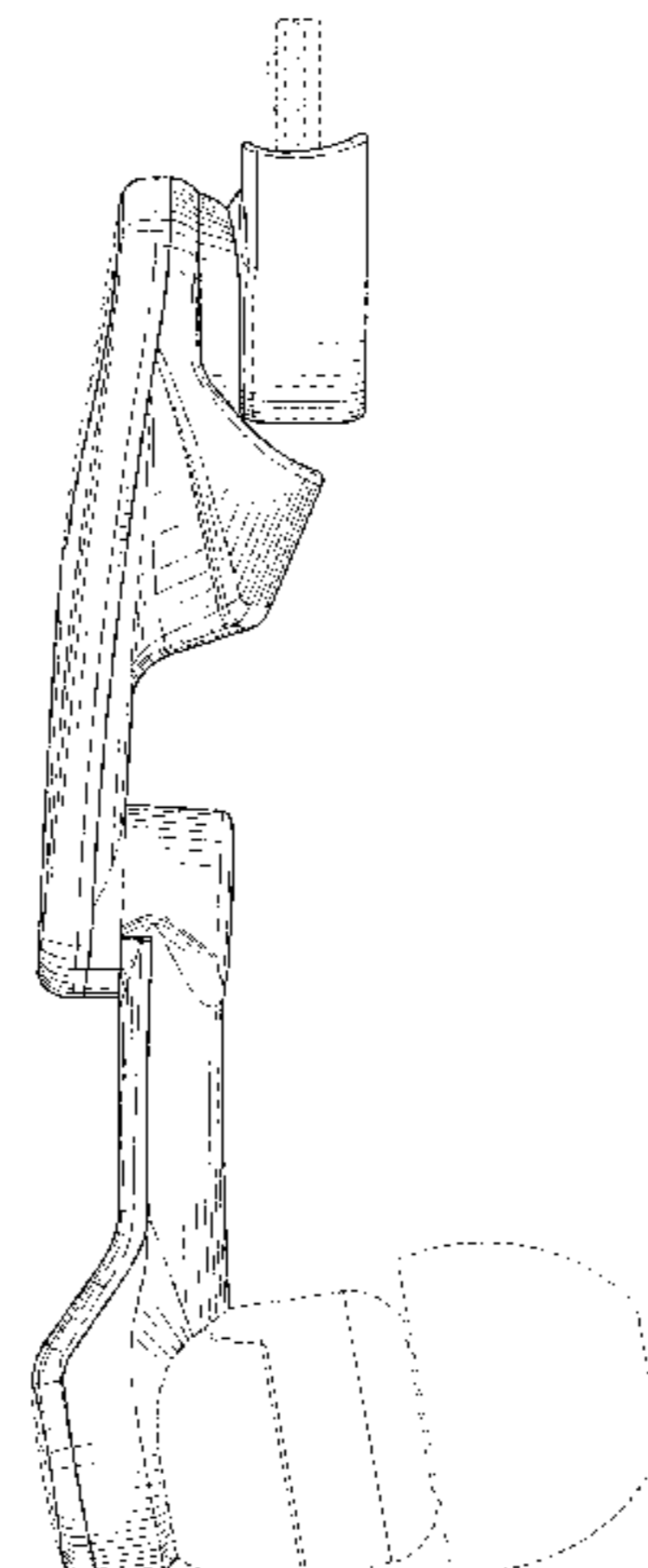
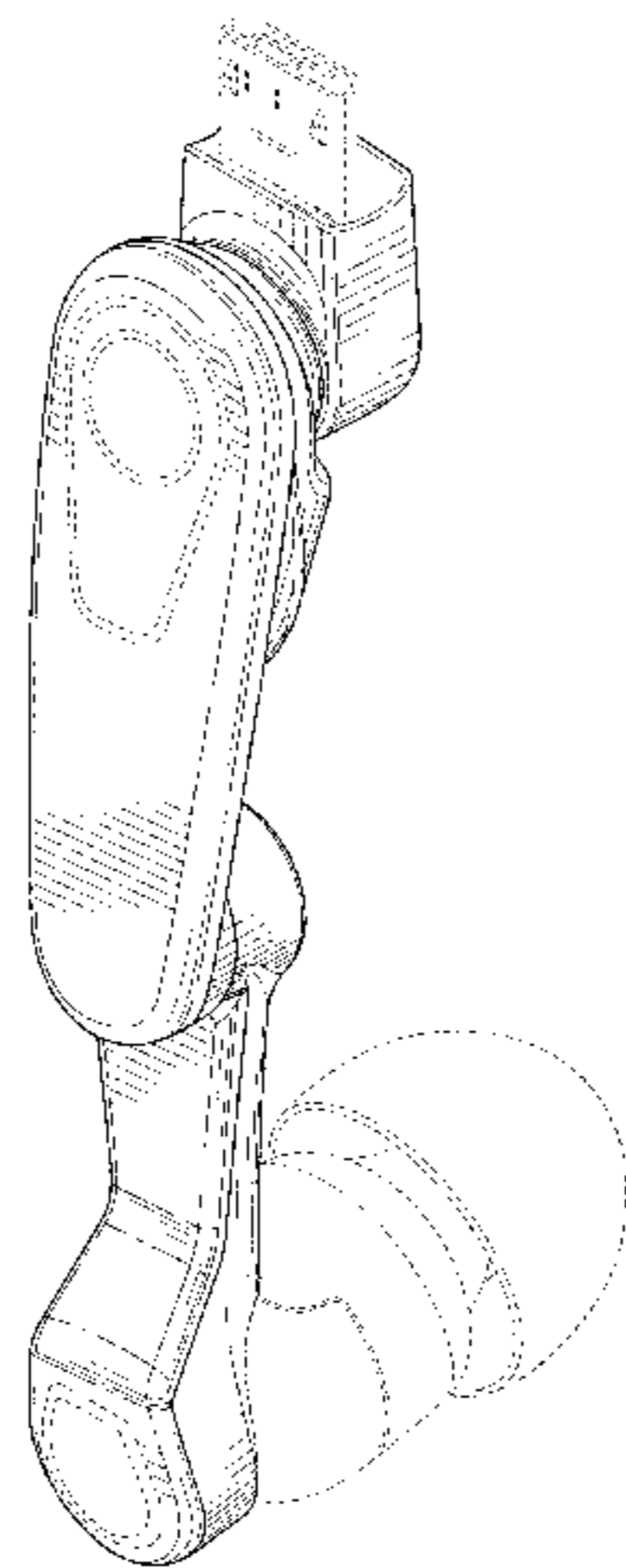
(57) **CLAIM**

The ornamental design for a headwear accessory, as shown and described.

**DESCRIPTION**

FIG. 1 is a front perspective view of a headwear accessory showing an embodiment of the new design; FIG. 2 is a front elevational view thereof; FIG. 3 is a rear elevational view thereof; FIG. 4 is a left side elevational view thereof; FIG. 5 is a right side elevational view; FIG. 6 is a top plan view thereof; and, FIG. 7 is a bottom plan view thereof. The dot-dash-dot broken lines in FIGS. 1, 4, 5 and 7 of the headwear accessory denote unclaimed boundaries of the claimed design, and the dash-dash broken lines in the Figures show portions of the headwear accessory which form no part of the claimed design.

**1 Claim, 5 Drawing Sheets**



(56)

References Cited

U.S. PATENT DOCUMENTS

D471,898 S \* 3/2003 Bae ..... D14/205  
 D477,821 S \* 7/2003 Bieltvedt ..... D14/206  
 D479,834 S \* 9/2003 Salazar ..... D14/205  
 6,639,791 B2 \* 10/2003 Su ..... H05K 5/0278  
 312/223.2  
 D482,694 S \* 11/2003 Chen ..... D14/385  
 D514,613 S 2/2006 Jannard et al.  
 7,004,582 B2 2/2006 Jannard et al.  
 7,013,009 B2 3/2006 Warren  
 D519,109 S \* 4/2006 Perszyk ..... D14/223  
 D520,457 S \* 5/2006 Wada ..... D13/156  
 7,147,324 B2 12/2006 Jannard et al.  
 7,150,526 B2 12/2006 Jannard et al.  
 D537,812 S \* 3/2007 Erich ..... D14/206  
 D538,784 S \* 3/2007 Eklund ..... D14/205  
 D538,836 S 3/2007 Moritz et al.  
 D540,537 S \* 4/2007 Azoulay ..... D3/218  
 7,213,917 B2 5/2007 Jannard et al.  
 7,216,973 B2 5/2007 Jannard et al.  
 D545,344 S \* 6/2007 Yang ..... D16/304  
 D545,345 S \* 6/2007 Moritz ..... D16/309  
 7,231,038 B2 6/2007 Warren  
 D546,866 S \* 7/2007 Yang ..... D16/304  
 D548,700 S \* 8/2007 Ledbetter ..... D13/147  
 D548,767 S \* 8/2007 Jannard ..... D16/309  
 D550,658 S \* 9/2007 Wang ..... D14/223  
 7,264,350 B2 9/2007 Jannard et al.  
 D553,173 S \* 10/2007 Baden ..... D16/309  
 7,278,734 B2 10/2007 Jannard et al.  
 7,313,246 B2 12/2007 Miller et al.  
 D561,816 S 2/2008 Jannard et al.  
 D566,099 S \* 4/2008 Komiyama ..... D14/206  
 D576,608 S \* 9/2008 Yu ..... D14/205  
 7,445,332 B2 11/2008 Jannard et al.  
 D582,957 S \* 12/2008 Moritz ..... D16/309  
 D583,804 S \* 12/2008 Mahler ..... D14/223  
 7,461,936 B2 \* 12/2008 Jannard ..... G02C 3/003  
 351/158  
 7,494,216 B2 2/2009 Jannard et al.

7,512,414 B2 3/2009 Jannard et al.  
 D593,547 S \* 6/2009 Kim ..... D14/223  
 D604,272 S \* 11/2009 Kitayama ..... D14/223  
 7,682,018 B2 \* 3/2010 Jannard ..... G02C 3/003  
 351/158  
 7,720,234 B1 \* 5/2010 Winslow ..... H04R 5/023  
 379/430  
 D618,211 S \* 6/2010 Oguro ..... D14/205  
 7,740,353 B2 \* 6/2010 Jannard ..... A61B 5/1112  
 351/158  
 7,747,003 B2 \* 6/2010 Regen ..... H01R 13/4532  
 379/430  
 7,988,283 B2 8/2011 Jannard  
 8,010,156 B2 8/2011 Warren  
 8,020,989 B2 9/2011 Jannard et al.  
 8,025,398 B2 9/2011 Jannard  
 8,313,192 B2 \* 11/2012 Jannard ..... A61B 5/1112  
 351/158  
 8,473,004 B2 6/2013 Warren  
 8,482,488 B2 7/2013 Jannard  
 8,550,621 B2 10/2013 Jannard  
 D709,892 S \* 7/2014 Lui ..... D14/433  
 8,787,970 B2 7/2014 Warren  
 D713,350 S \* 9/2014 Akana ..... D13/147  
 D718,304 S \* 11/2014 Heinrich ..... D14/372  
 8,876,285 B2 11/2014 Jannaard  
 2006/0197907 A1 9/2006 Jannard et al.  
 2006/0203183 A1 9/2006 Jannard et al.  
 2007/0037520 A1 2/2007 Warren  
 2011/0255049 A1 \* 10/2011 Corona ..... G02C 11/00  
 351/123  
 2012/0105740 A1 \* 5/2012 Jannard ..... G02C 9/04  
 348/794  
 2013/0293448 A1 11/2013 Jannard  
 2014/0253868 A1 9/2014 Jannard et al.  
 2014/0329519 A1 11/2014 Warren  
 2015/0116655 A1 4/2015 Jannard

OTHER PUBLICATIONS

U.S. Appl. No. 29/521,667, filed Mar. 25, 2015, Yoo.  
 U.S. Appl. No. 29/529,886, filed Jun. 11, 2015, Yoo.

\* cited by examiner

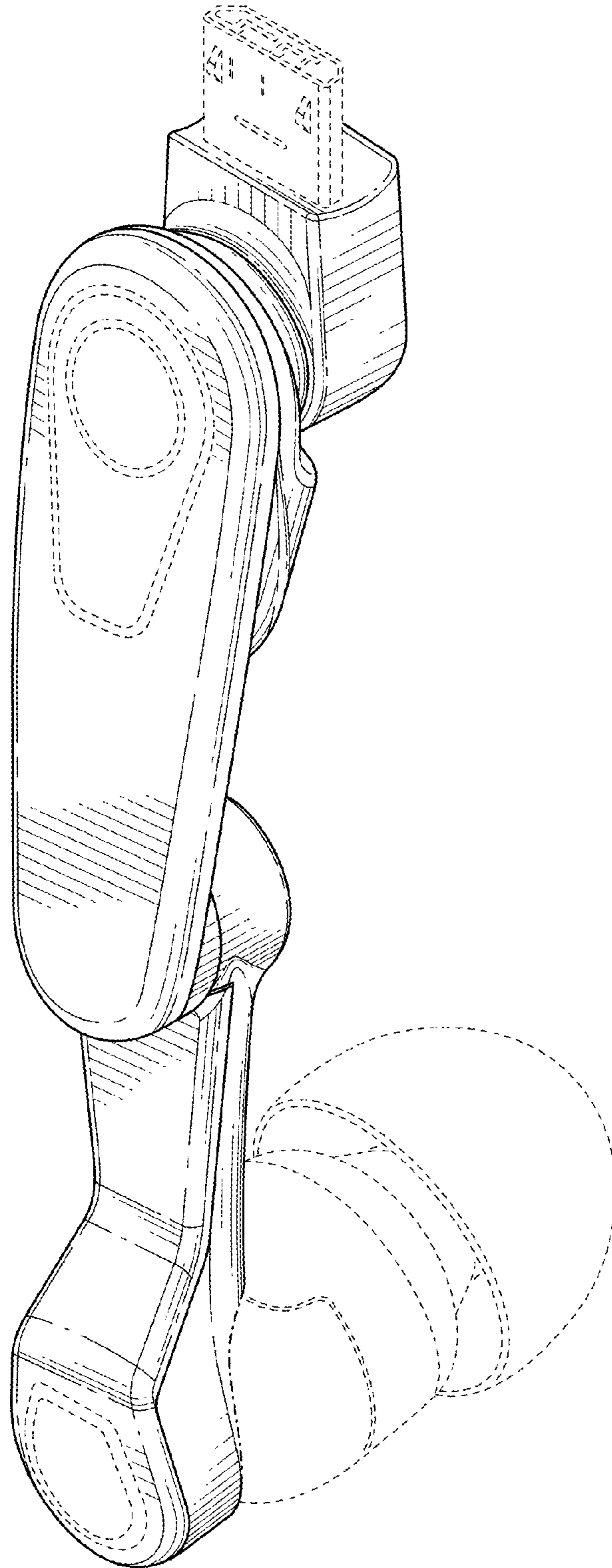


FIG. 1



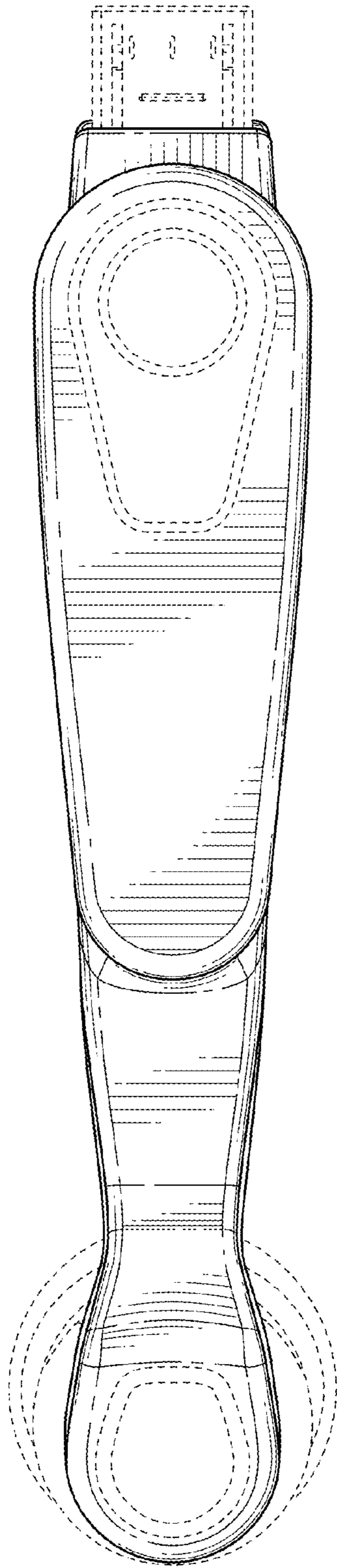


FIG. 2

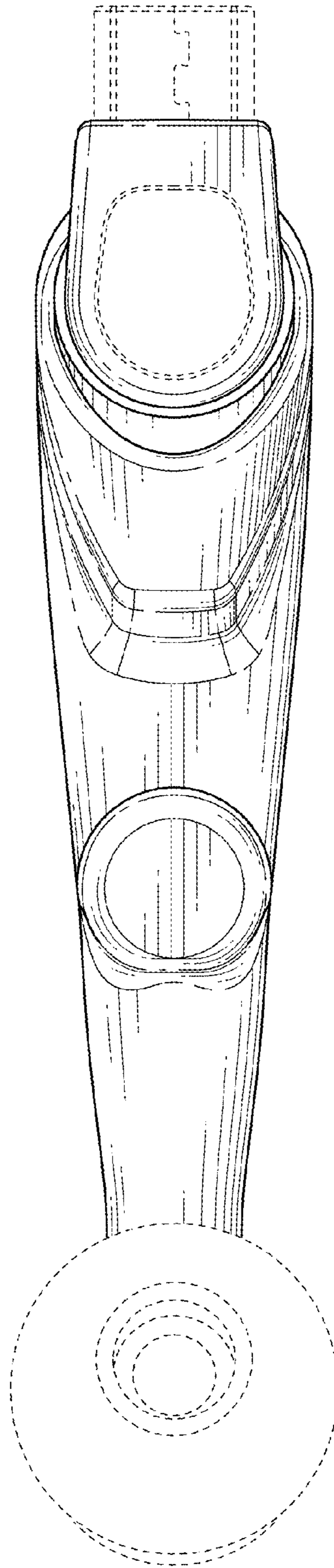


FIG. 3

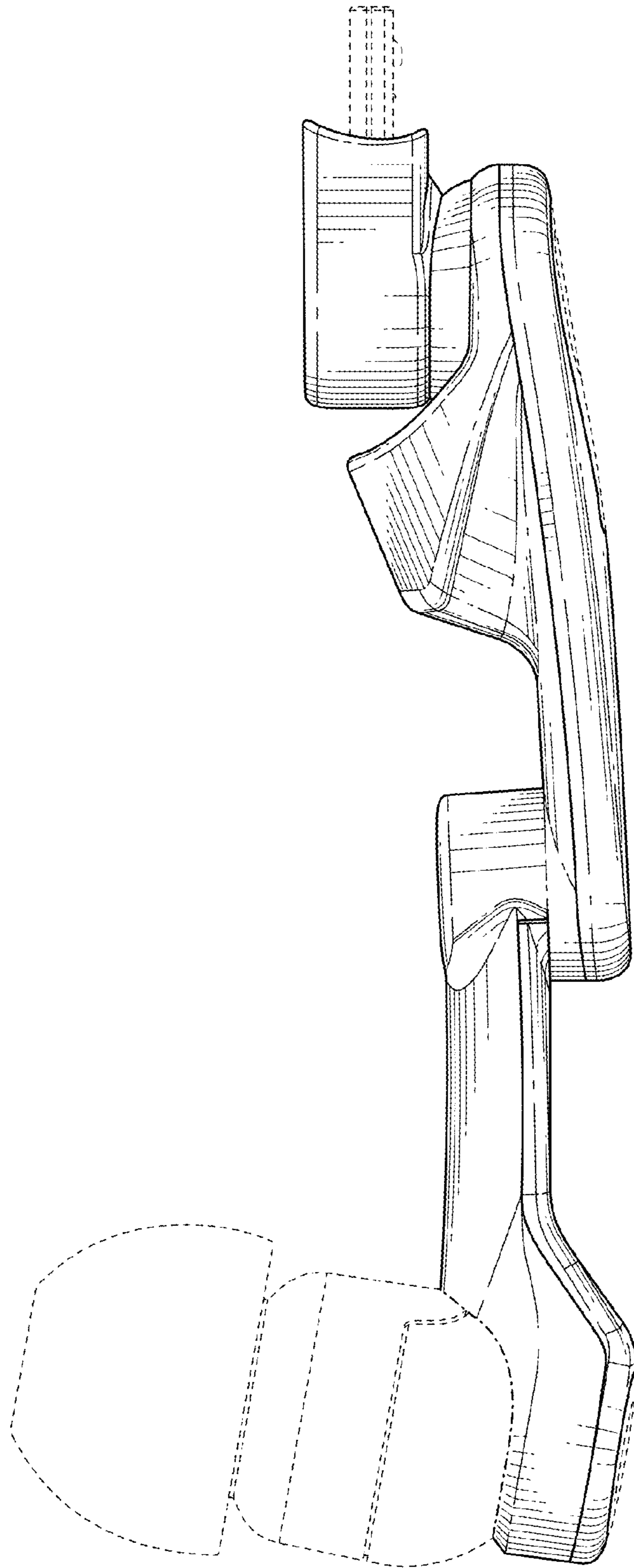


FIG. 4

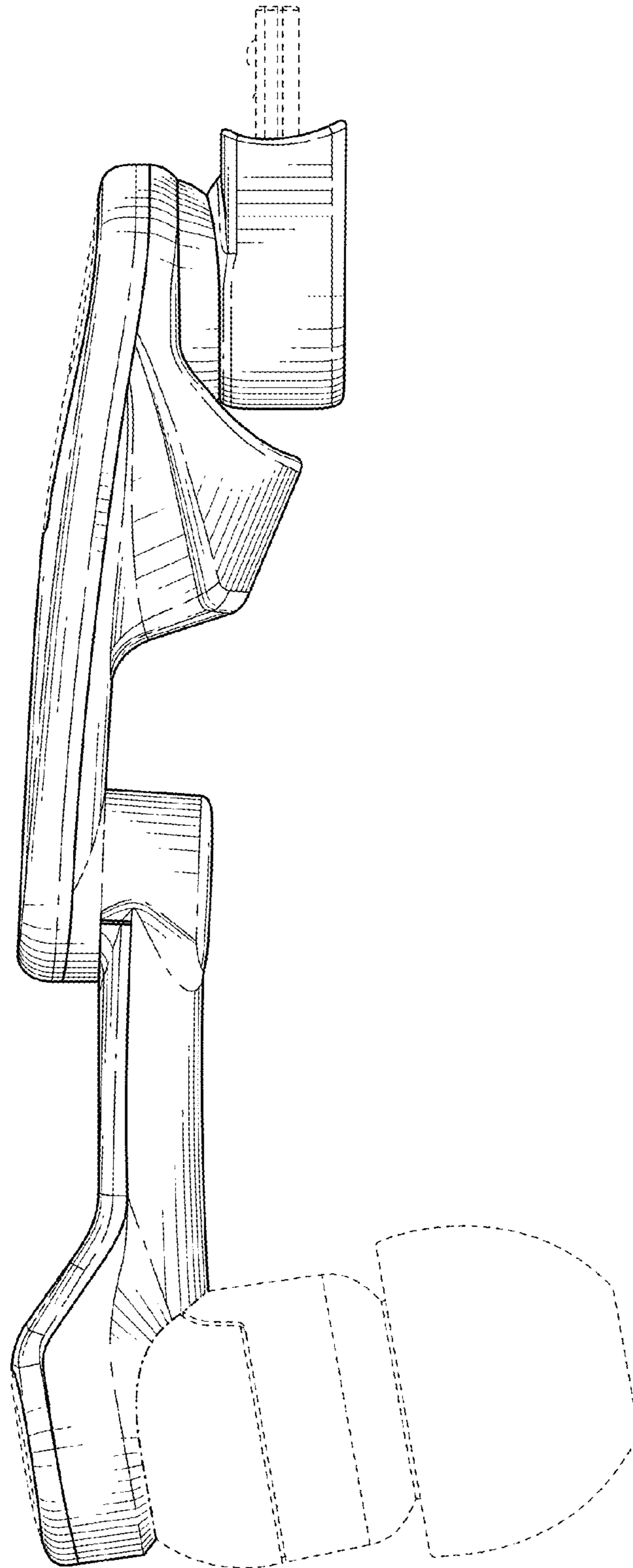


FIG. 5

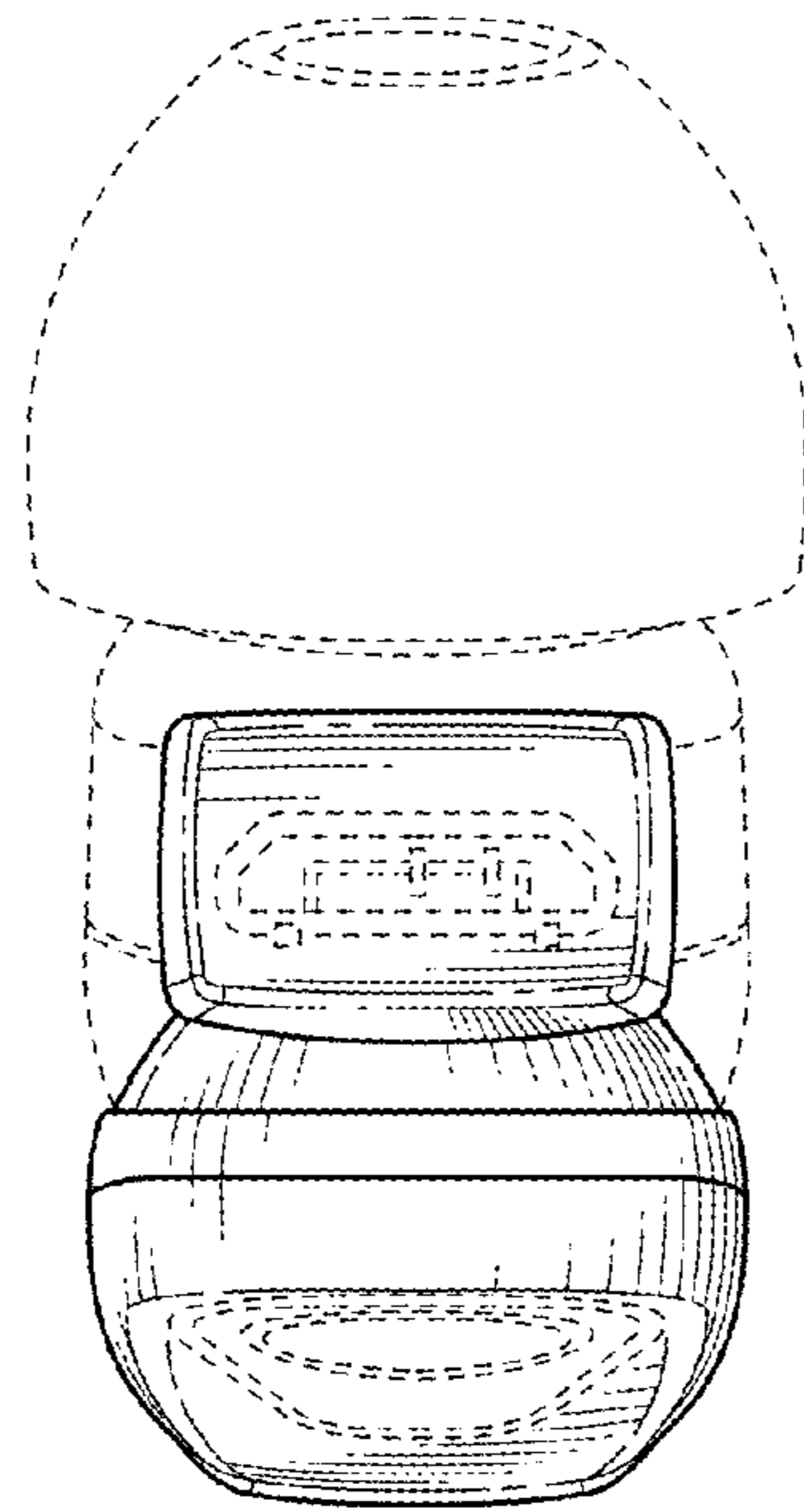


FIG. 6

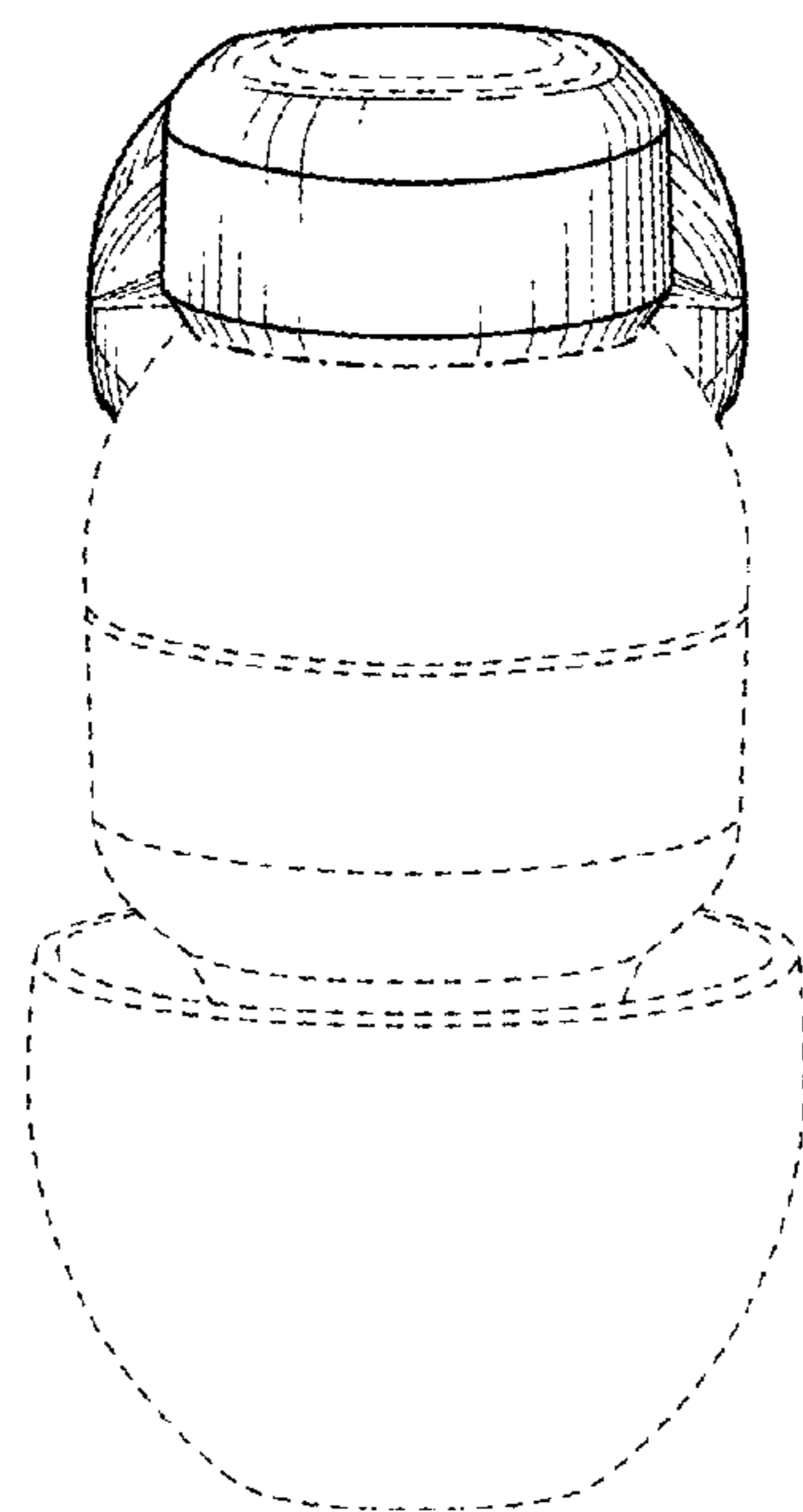


FIG. 7