



US00D763826S

(12) **United States Design Patent**  
**Devantier et al.**

(10) **Patent No.:** **US D763,826 S**  
(45) **Date of Patent:** **\*\* Aug. 16, 2016**

(54) **SPEAKER**

- (71) Applicant: **Samsung Electronics Co., Ltd.**,  
Suwon-si, Gyeonggi-do (KR)
- (72) Inventors: **Allan Devantier**, Valencia, CA (US);  
**Colby J. Buddelmeyer**, Los Angeles,  
CA (US)
- (73) Assignee: **Samsung Electronics Co., Ltd.**,  
Suwon-si (KR)
- (\*\*) Term: **14 Years**
- (21) Appl. No.: **29/491,525**
- (22) Filed: **May 21, 2014**
- (51) **LOC (10) Cl.** ..... **14-03**
- (52) **U.S. Cl.**  
USPC ..... **D14/216**
- (58) **Field of Classification Search**  
USPC ..... D14/167, 168, 170-172, 188, 194-196,  
D14/204, 207, 209.1, 210-216, 219, 221,  
D14/222, 224, 496; 181/143, 144, 147, 148,  
181/150, 153, 157, 198, 199; 381/300-303,  
381/306, 332, 333, 336, 345, 361-364,  
381/386-388; 369/6-12; D21/707, 708  
CPC .... B60R 11/0217; G06F 1/1688; H04M 1/03;  
H04M 1/035; H04R 1/02; H04R 1/06; H04R  
1/021; H04R 1/025; H04R 1/026; H04R  
1/028; H04R 1/105; H04R 1/323; H04R  
1/403; H04R 1/2803; H04R 1/2834; H04R  
5/02; H04R 7/20; H04R 9/06; H04R 9/025;  
H04R 2201/021; H04R 2400/00; H04R  
2400/07; H04R 2499/11; H04R 2499/13;  
H04R 2499/15; H04S 3/00; H04S 7/30;  
H03F 1/327; G10K 9/22; G10K 11/004  
See application file for complete search history.

(56) **References Cited**

**U.S. PATENT DOCUMENTS**

2,037,187 A 4/1936 Wente  
(Continued)

**FOREIGN PATENT DOCUMENTS**

EP 0909111 B1 12/2005  
(Continued)

**OTHER PUBLICATIONS**

International Search Report and Written Opinion dated Jul. 30, 2015  
for International Application No. PCT/KR2015/004378 from Korean  
Intellectual Property Office, pp. 1-10, Daejeon, Republic of Korea.  
(Continued)

*Primary Examiner* — Keli L Hill

(74) *Attorney, Agent, or Firm* — Sherman IP LLP; Kenneth  
L. Sherman; Steven Laut

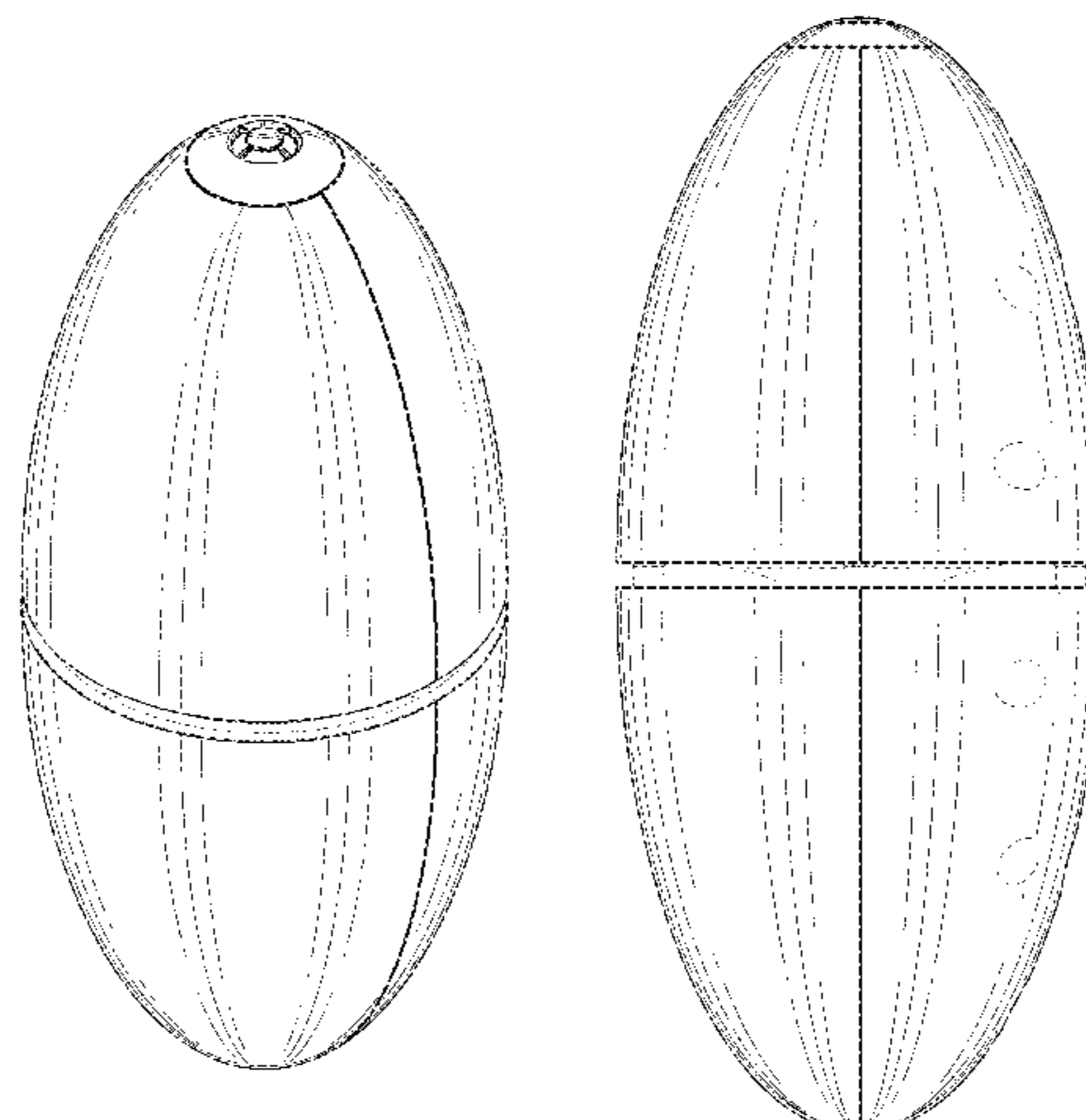
(57) **CLAIM**

The ornamental design for a speaker, substantially as shown  
and described.

**DESCRIPTION**

FIG. 1 is a top front perspective view of a speaker showing our  
new design;  
FIG. 2 is a front elevational view thereof;  
FIG. 3 is a rear elevational view thereof;  
FIG. 4 is a left side elevational view thereof;  
FIG. 5 is a right side elevational view thereof;  
FIG. 6 is a top plan view thereof; and  
FIG. 7 is a bottom plan view thereof;  
FIG. 8 is a top front perspective view of a speaker and  
example stand;  
FIG. 9 is a front elevational view thereof;  
FIG. 10 is a rear elevational view thereof;  
FIG. 11 is a left side elevational view thereof;  
FIG. 12 is a right side elevational view thereof;  
FIG. 13 is a top plan view thereof; and  
FIG. 14 is a bottom plan view thereof;  
FIG. 15 is a top front perspective view of another speaker  
embodiment;  
FIG. 16 is a front elevational view thereof;  
FIG. 17 is a rear elevational view thereof;  
FIG. 18 is a left side elevational view thereof;  
FIG. 19 is a right side elevational view thereof;  
FIG. 20 is a top plan view thereof; and,  
FIG. 21 is a bottom plan view thereof.  
The broken lines indicate disclaimed portions of the design  
and form no part of the claimed design.

**1 Claim, 21 Drawing Sheets**



(56)

References Cited

U.S. PATENT DOCUMENTS

D256,110 S \* 7/1980 Dunbar et al. .... D11/153  
5,306,880 A 4/1994 Coziar et al.  
5,451,726 A 9/1995 Haugum  
D421,216 S \* 2/2000 Abrams et al. .... D9/643  
D471,532 S \* 3/2003 Solland ..... D14/211  
D478,681 S \* 8/2003 Newcomb ..... D26/4  
D479,833 S \* 9/2003 Chen ..... D14/188  
D480,382 S \* 10/2003 Solland ..... D14/211  
7,433,483 B2 10/2008 Fincham  
D603,374 S \* 11/2009 Peters ..... D14/216  
D640,667 S \* 6/2011 Lee et al. .... D14/211  
8,027,500 B2 9/2011 Fincham  
D716,764 S \* 11/2014 Jeon et al. .... D14/209.1  
D724,570 S \* 3/2015 Kusano et al. .... D14/224  
D725,632 S \* 3/2015 Zhao ..... D14/216  
2007/0017915 A1 \* 1/2007 Weder et al. .... 220/4.21

2011/0204049 A1\* 8/2011 Weder et al. .... 220/4.24  
2012/0201403 A1 8/2012 Tan  
2015/0319515 A1 11/2015 Devantier

FOREIGN PATENT DOCUMENTS

JP 2008182481 A 8/2008  
KR 1020030075605 A 9/2003  
KR 1020080068289 7/2008  
KR 200444208 Y1 4/2009

OTHER PUBLICATIONS

U.S. Non-Final Office Action for U.S. Appl. No. 14/297,829 mailed Oct. 21, 2015 by Examiner Sunita Joshi.  
U.S. Final Office Action for U.S. Appl. No. 14/297829 mailed Apr. 6, 2016 by Examiner Sunita Josh.  
U.S. Advisory Action for U.S. Appl. No. 14/297829 mailed Jun. 13, 2016 by Examiner Sunita Josh.

\* cited by examiner

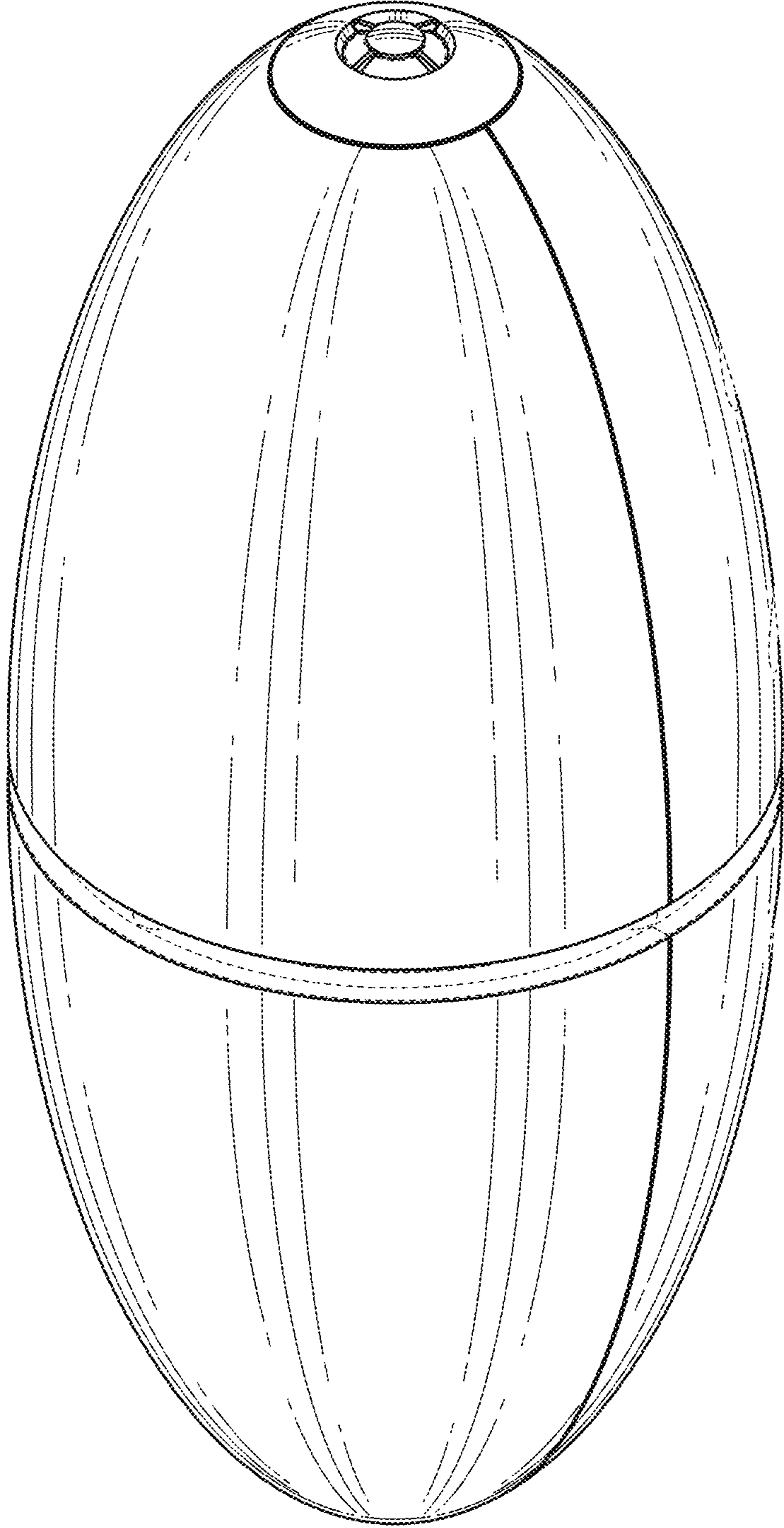


FIG. 1

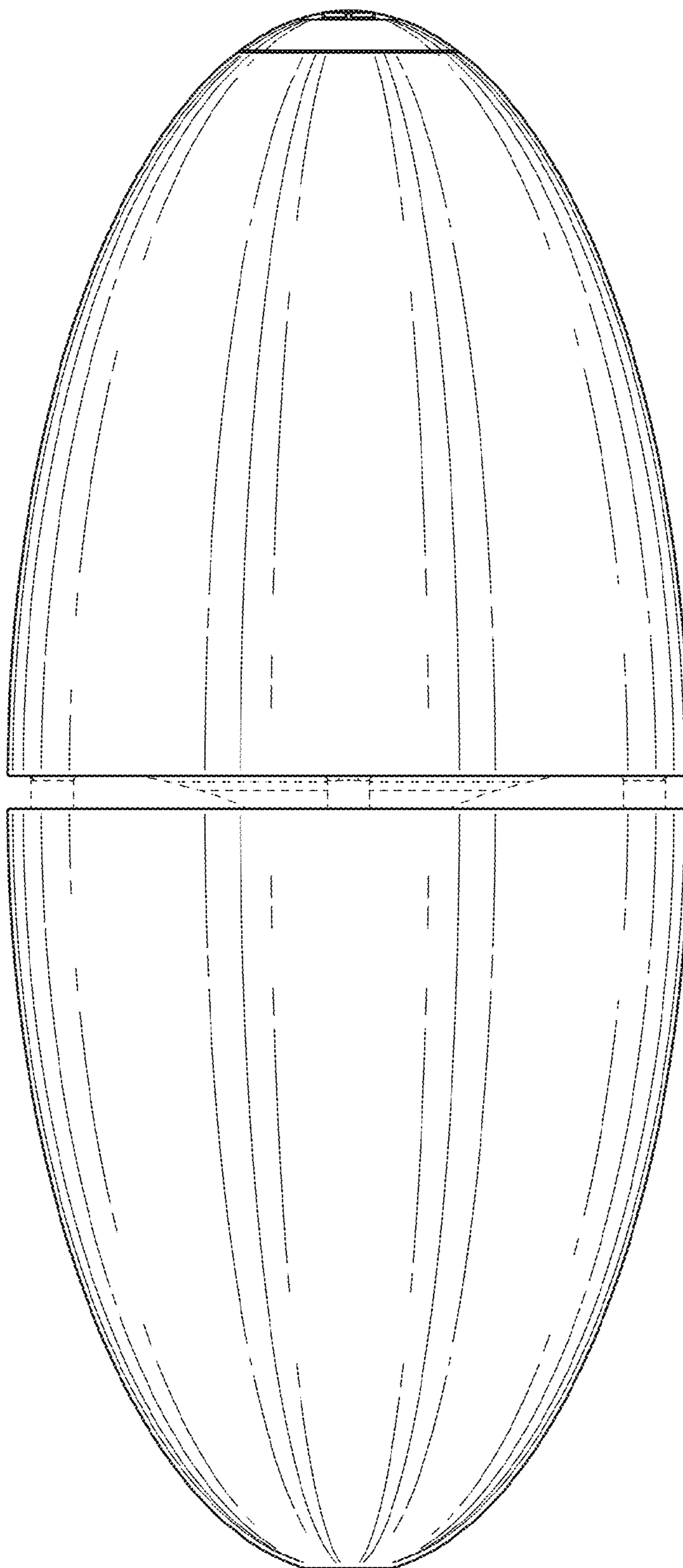


FIG. 2

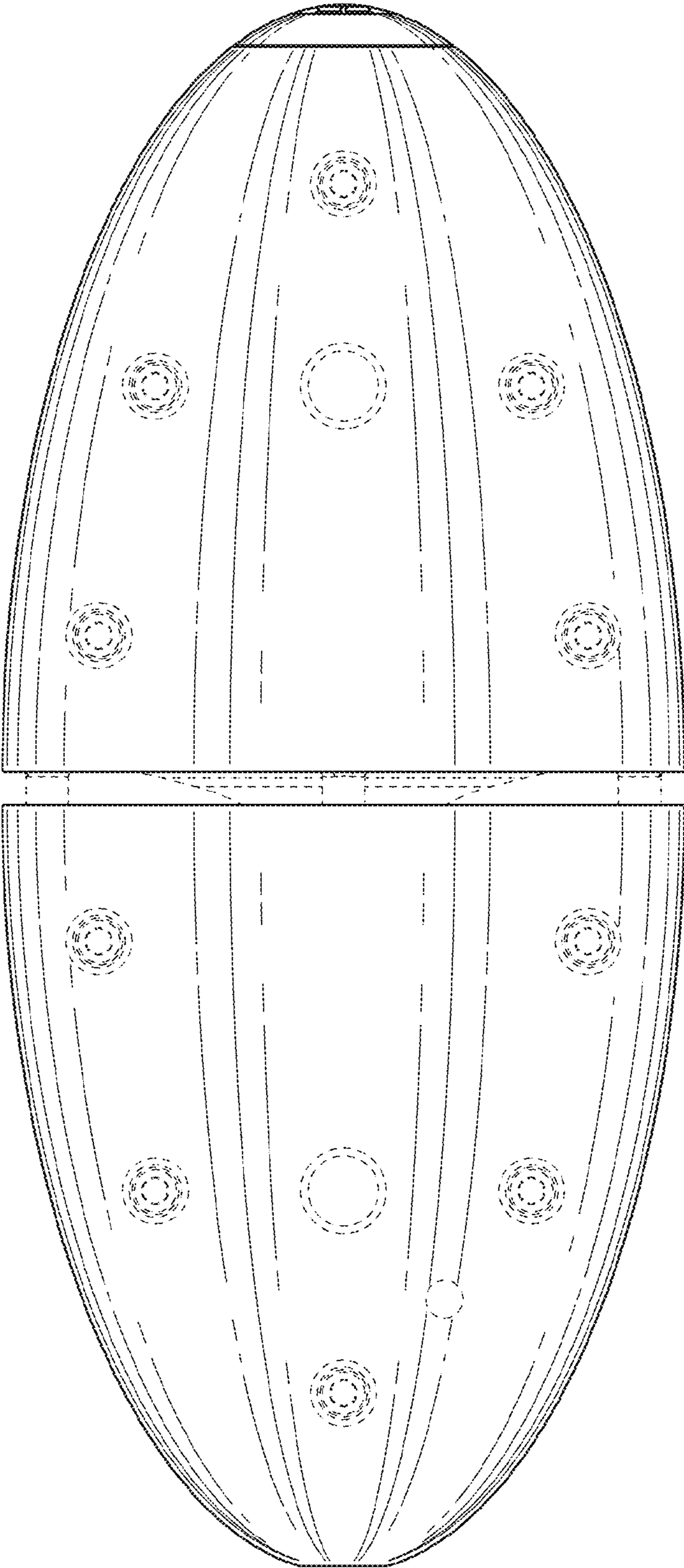


FIG. 3

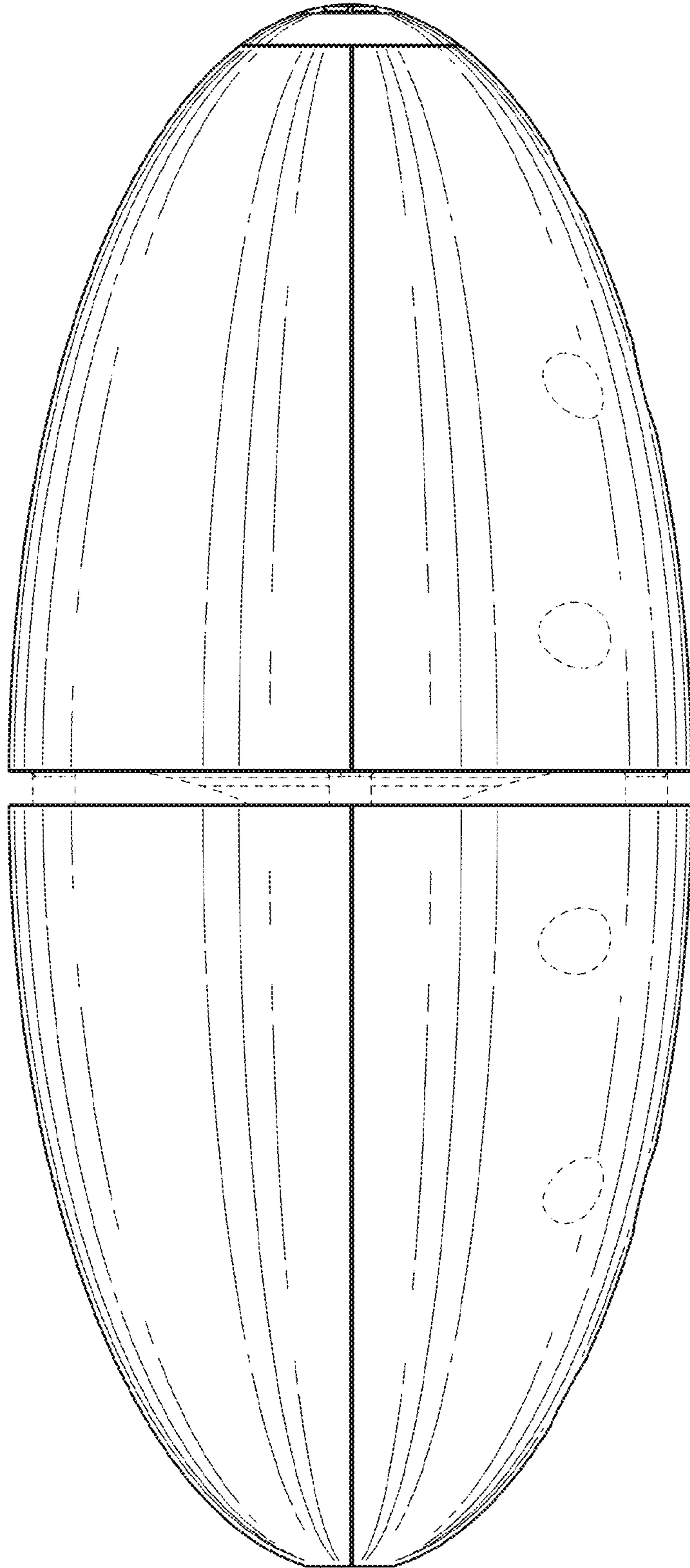


FIG. 4

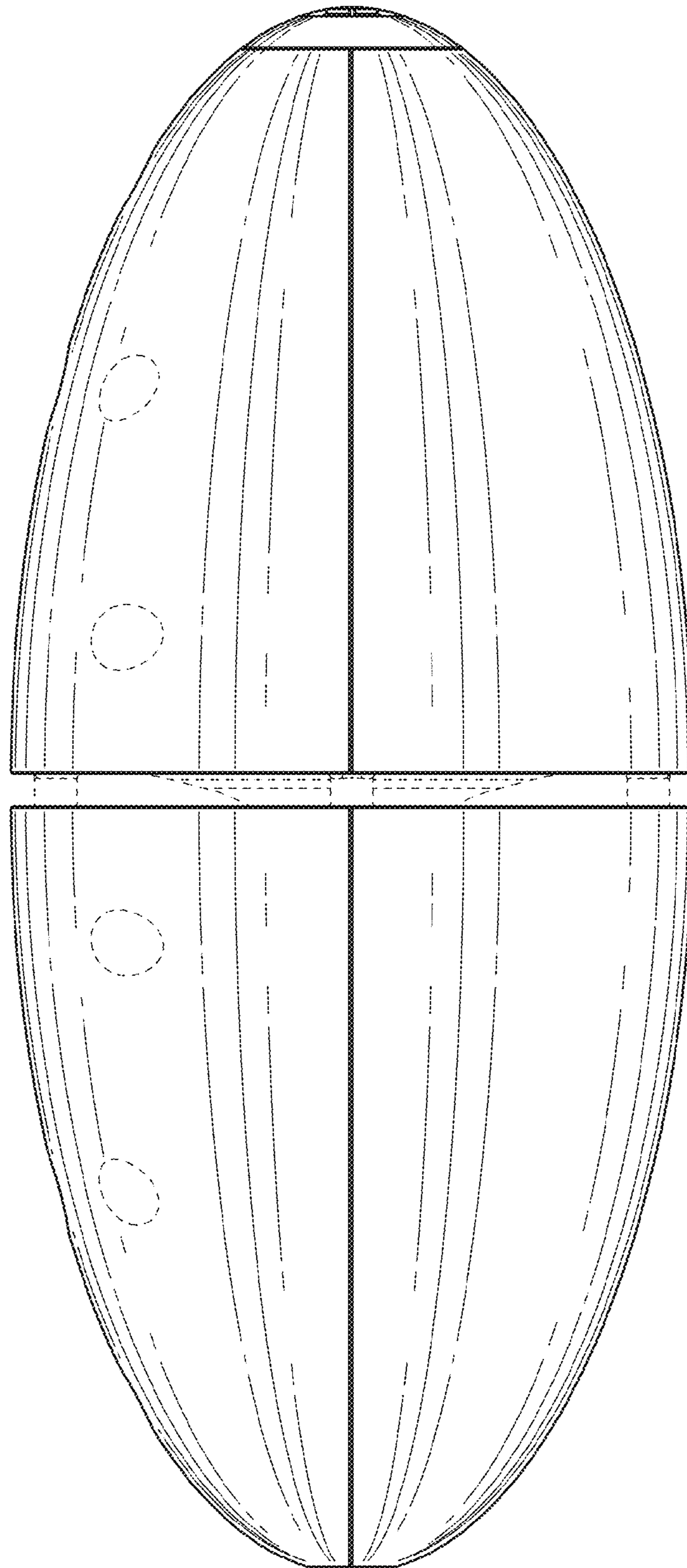


FIG. 5

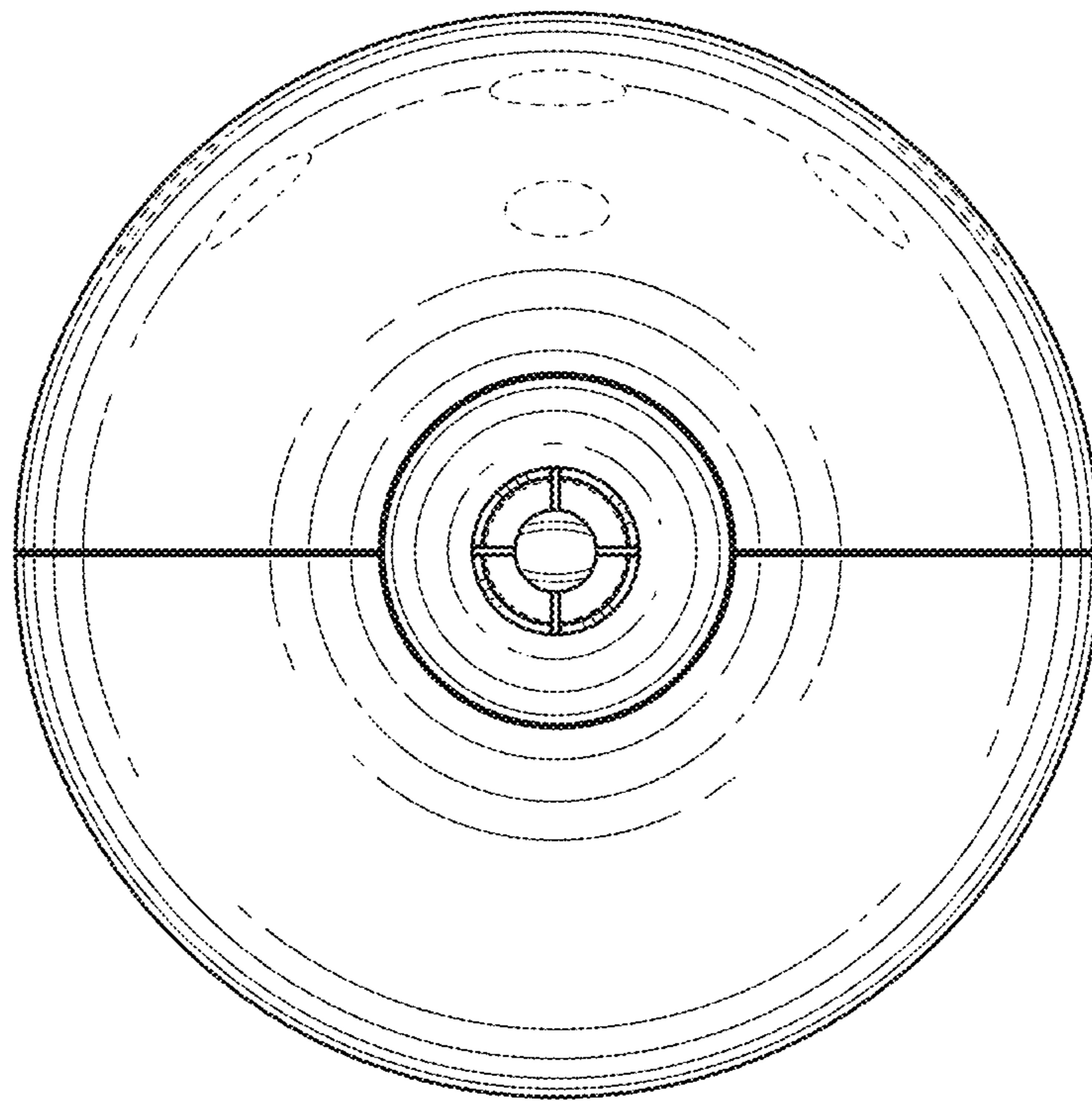


FIG. 6



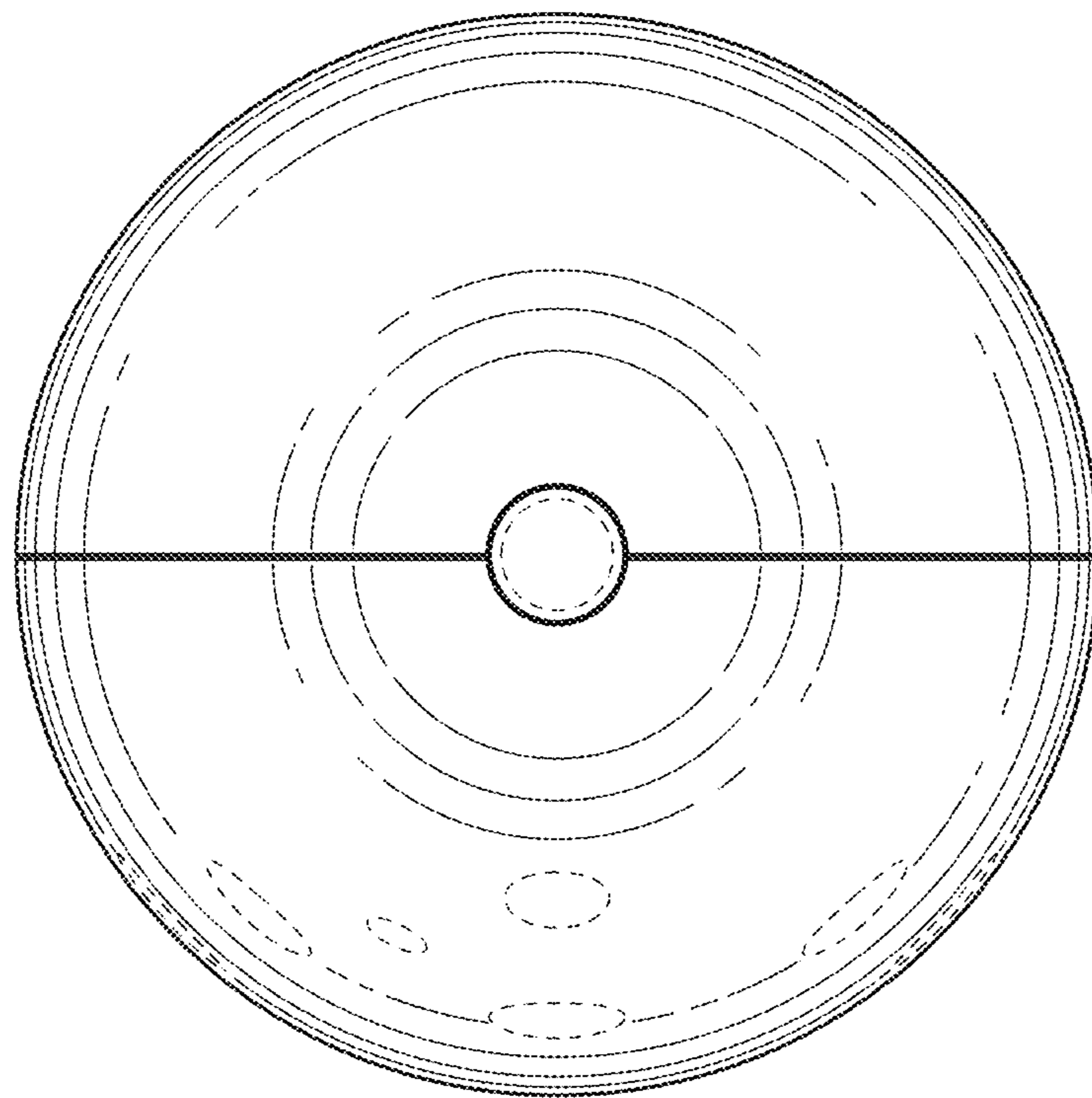


FIG. 7

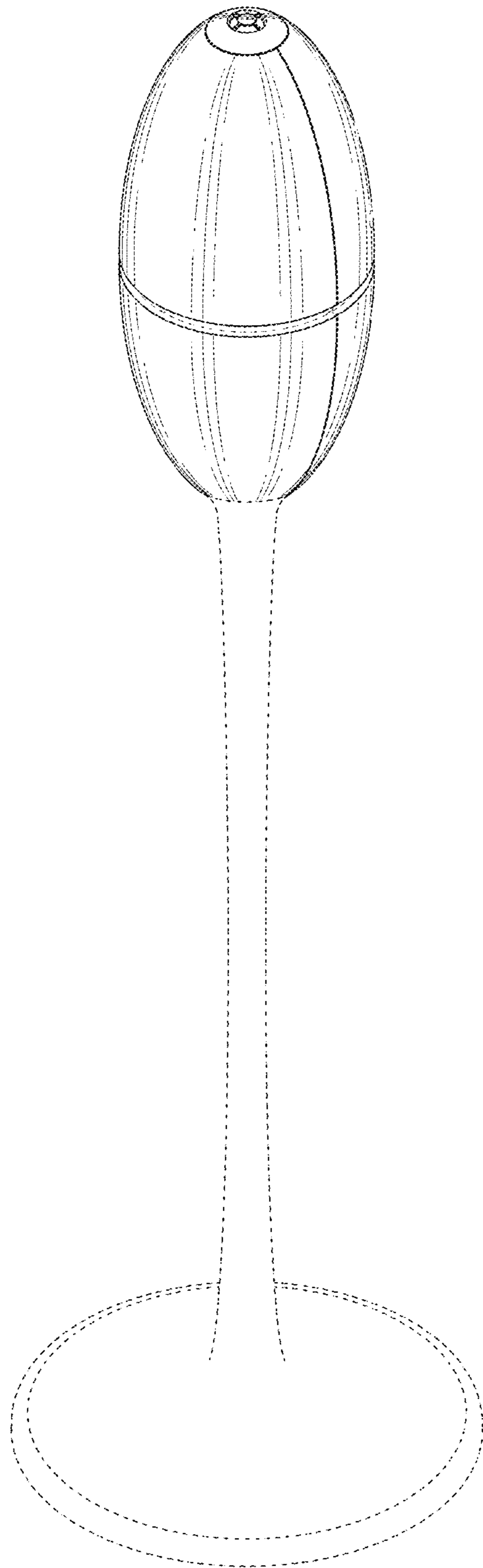


FIG. 8

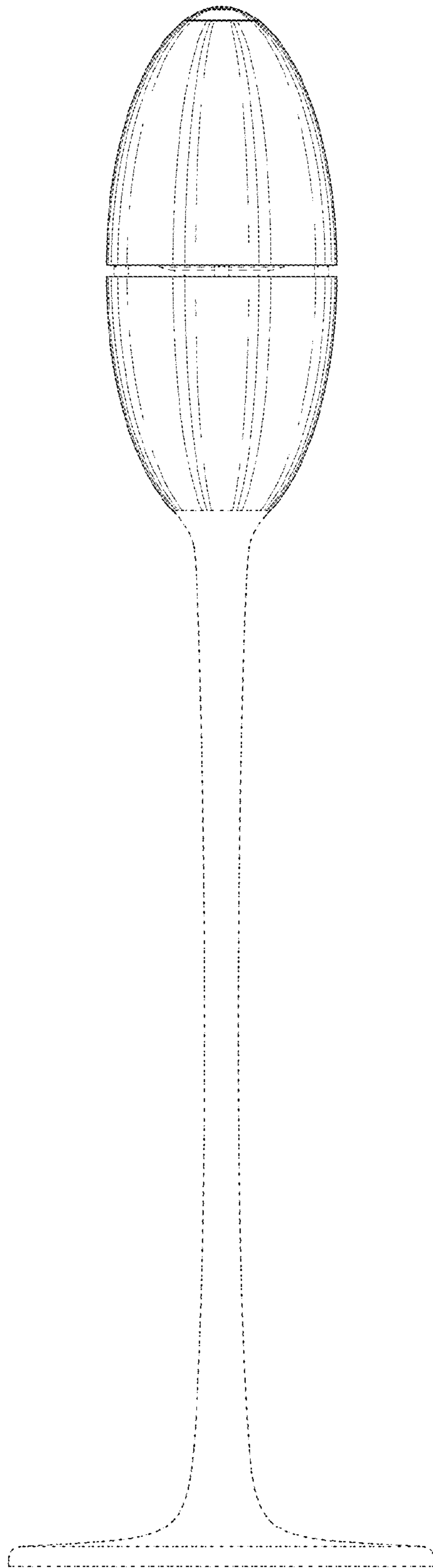


FIG. 9

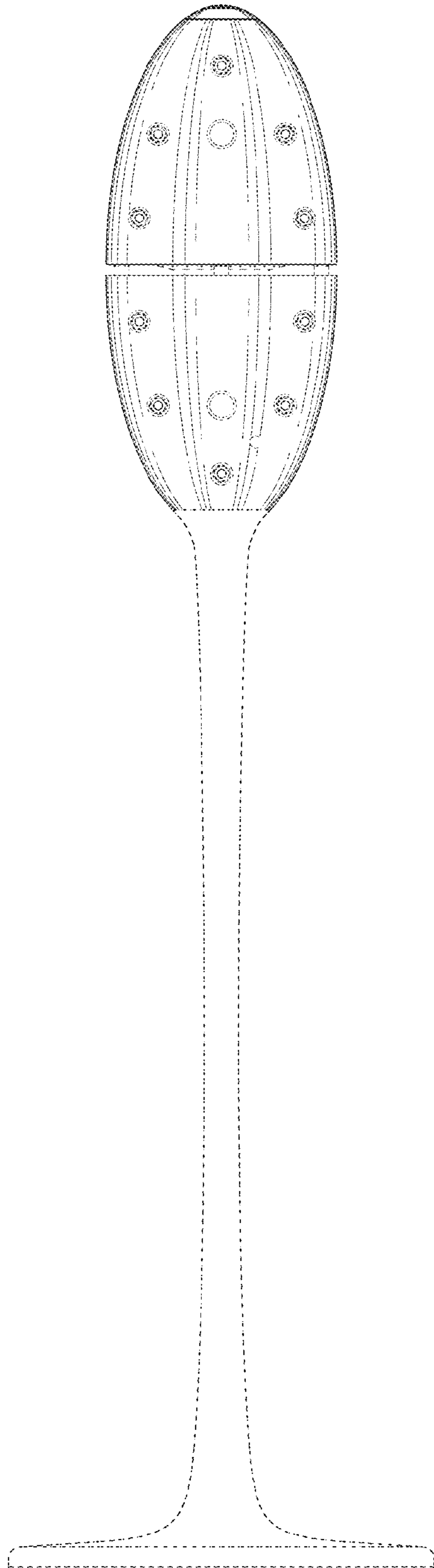


FIG. 10

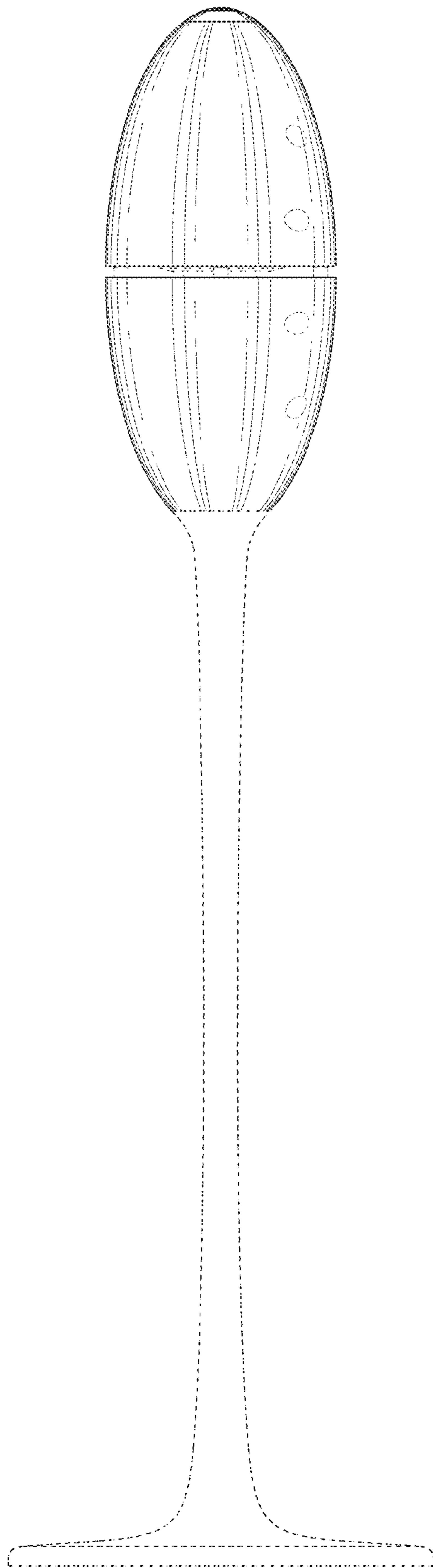


FIG. 11

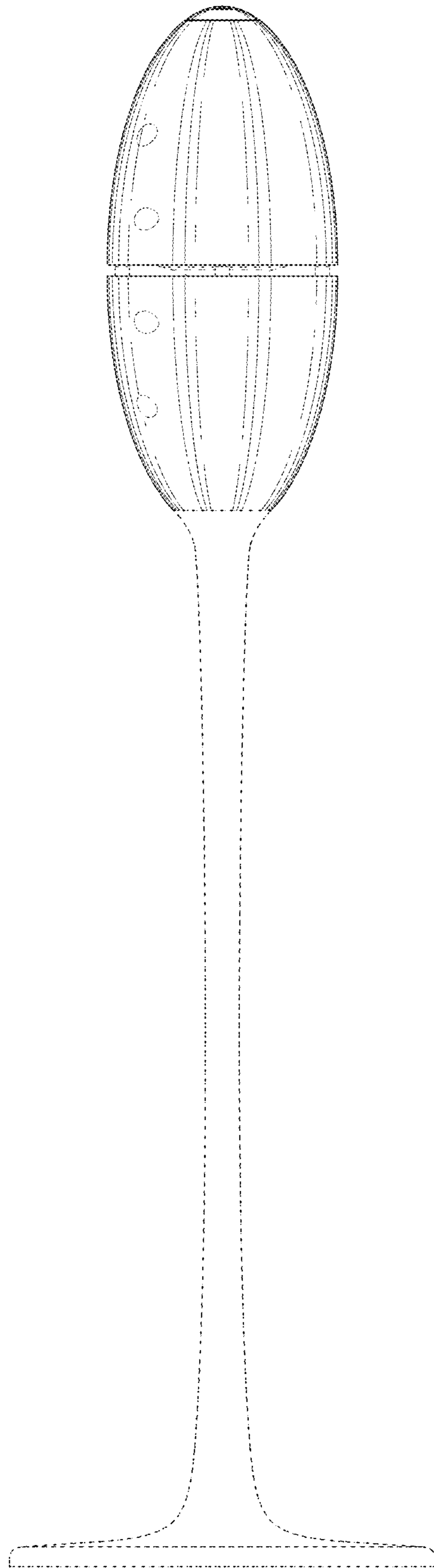


FIG. 12

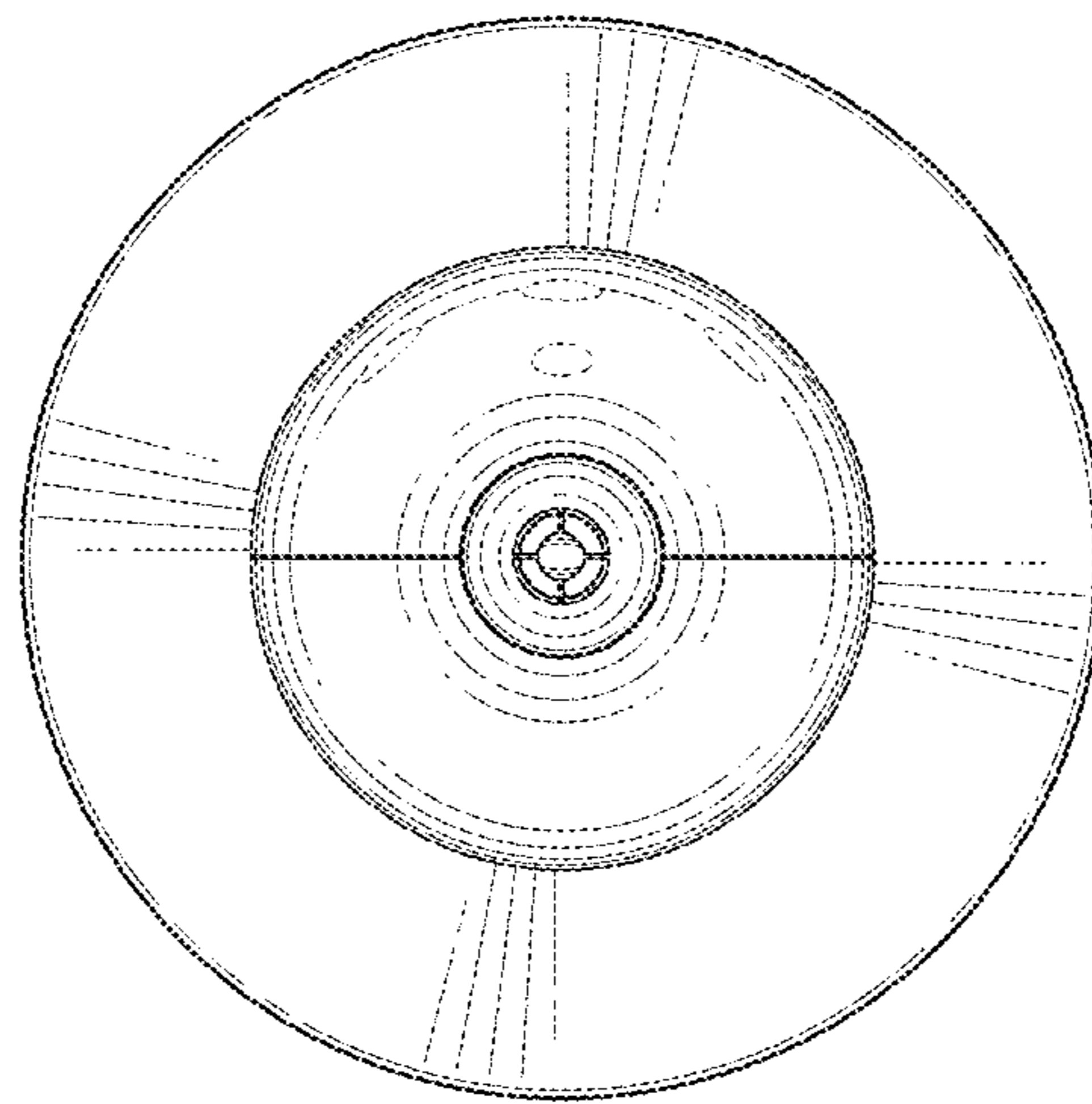


FIG. 13

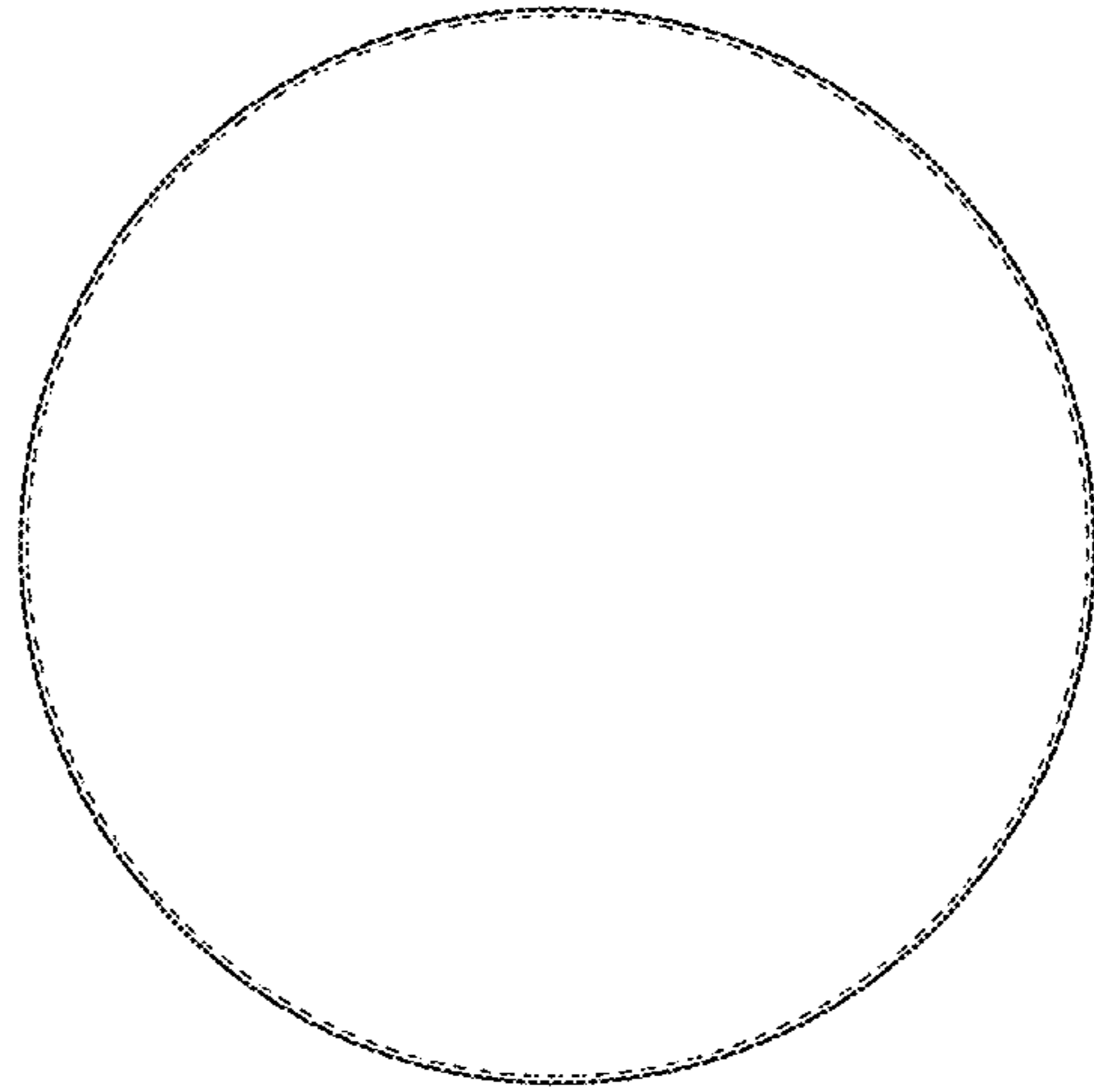


FIG. 14



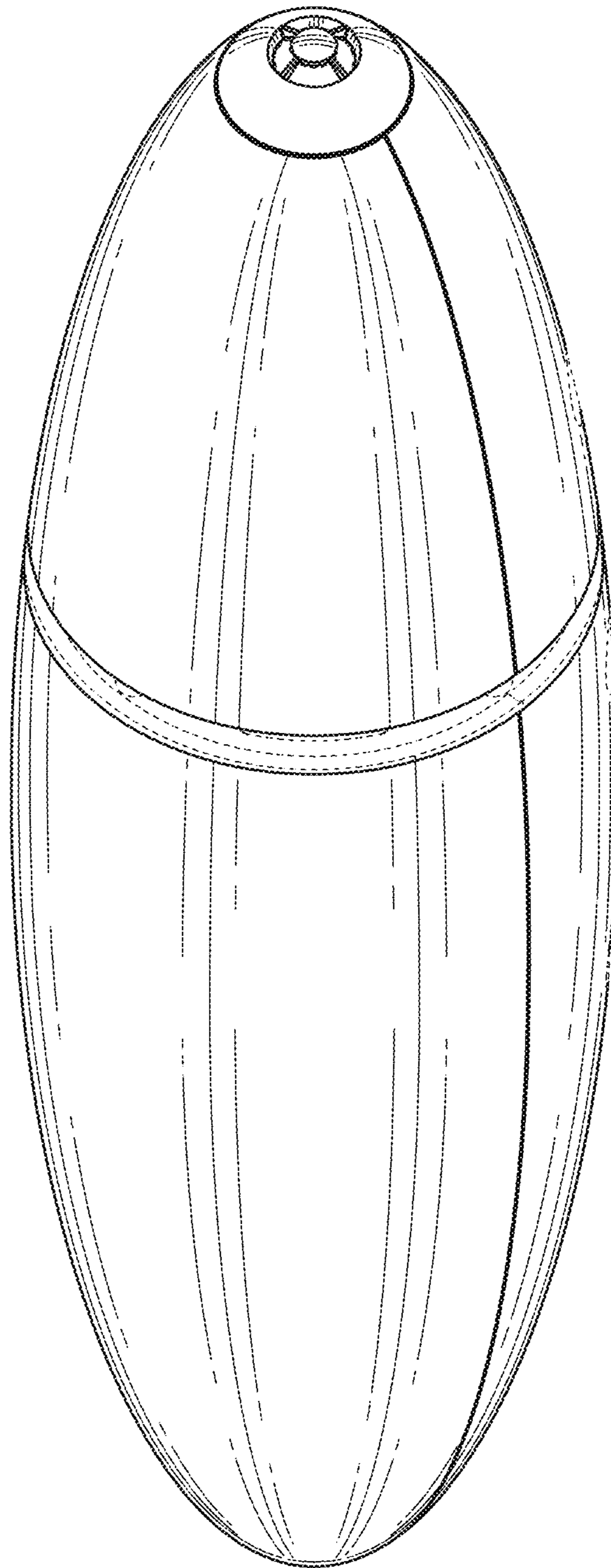


FIG.15

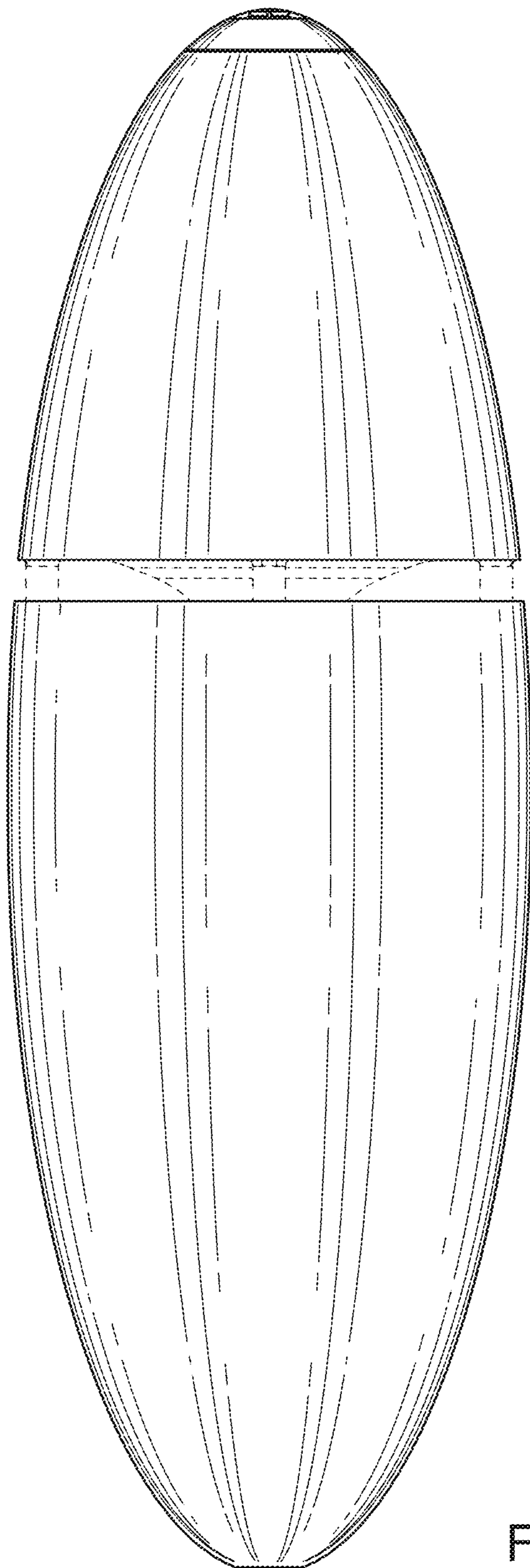


FIG. 16

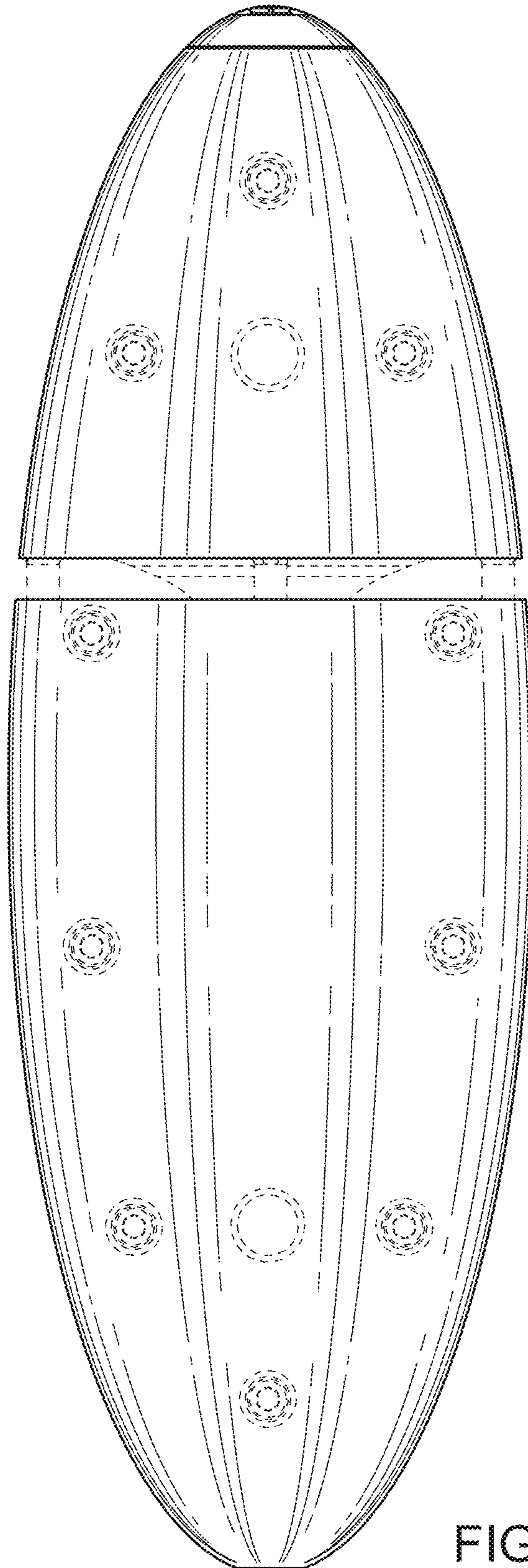


FIG. 17

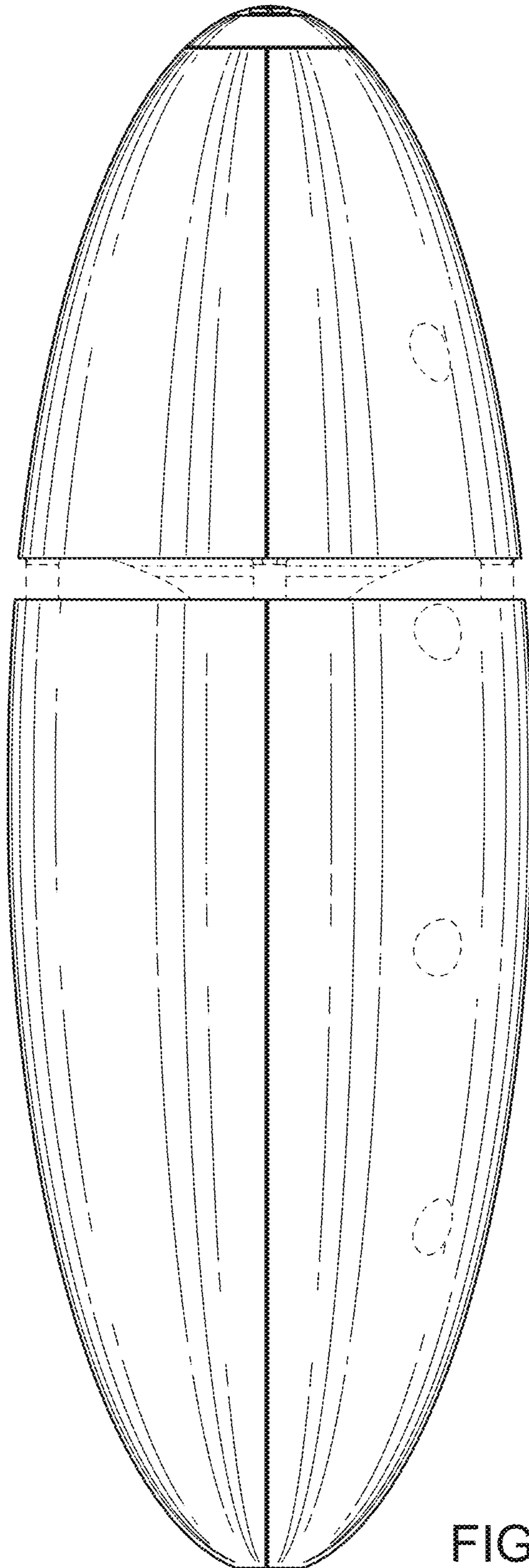


FIG. 18

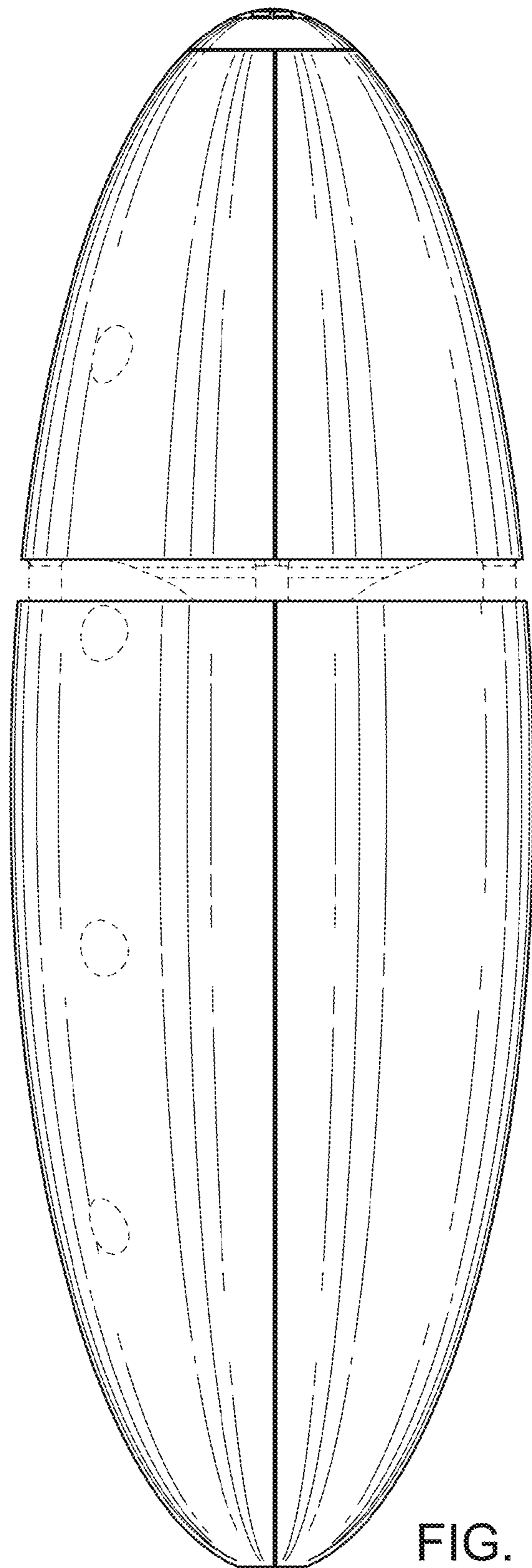


FIG. 19

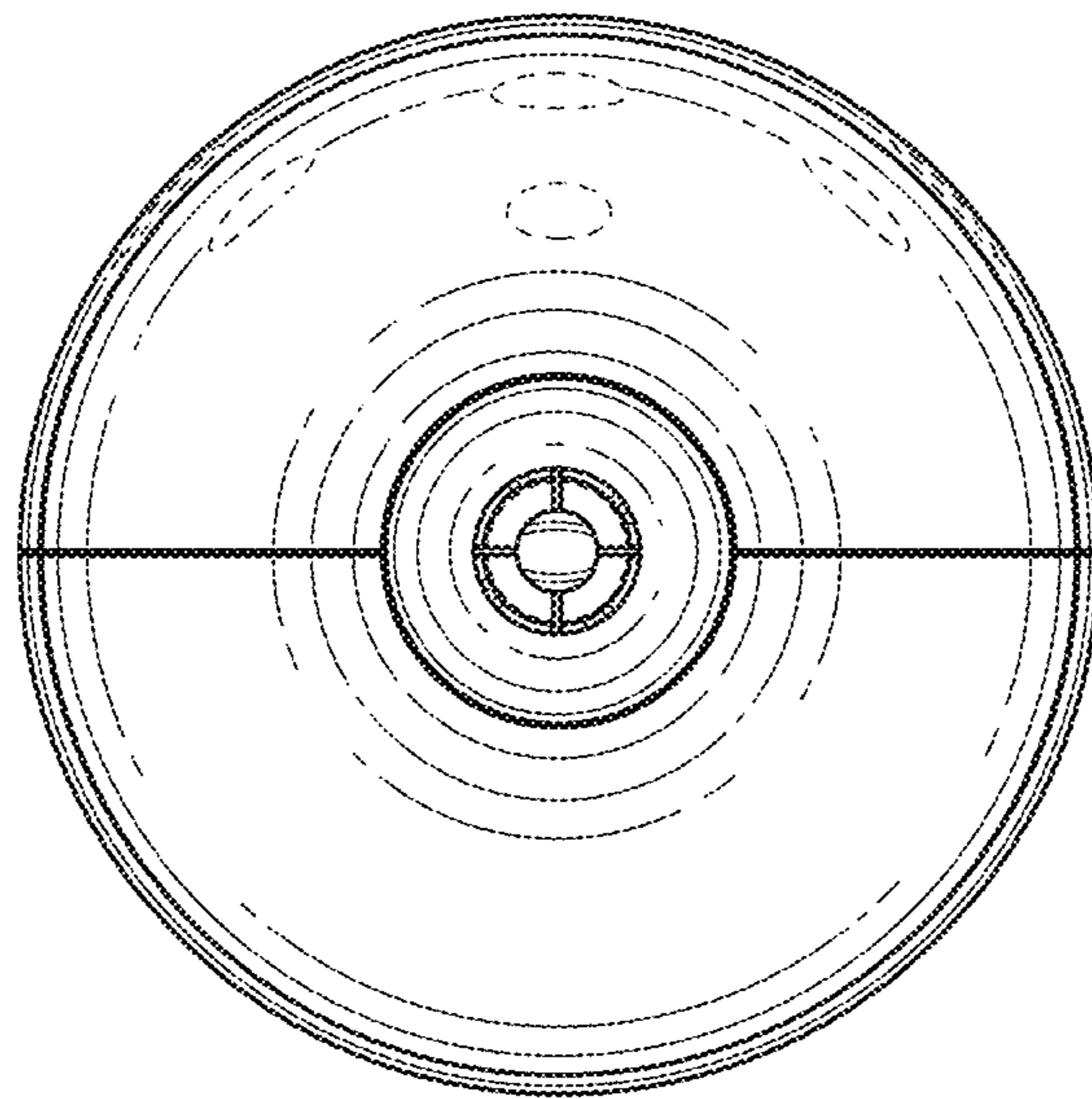


FIG. 20

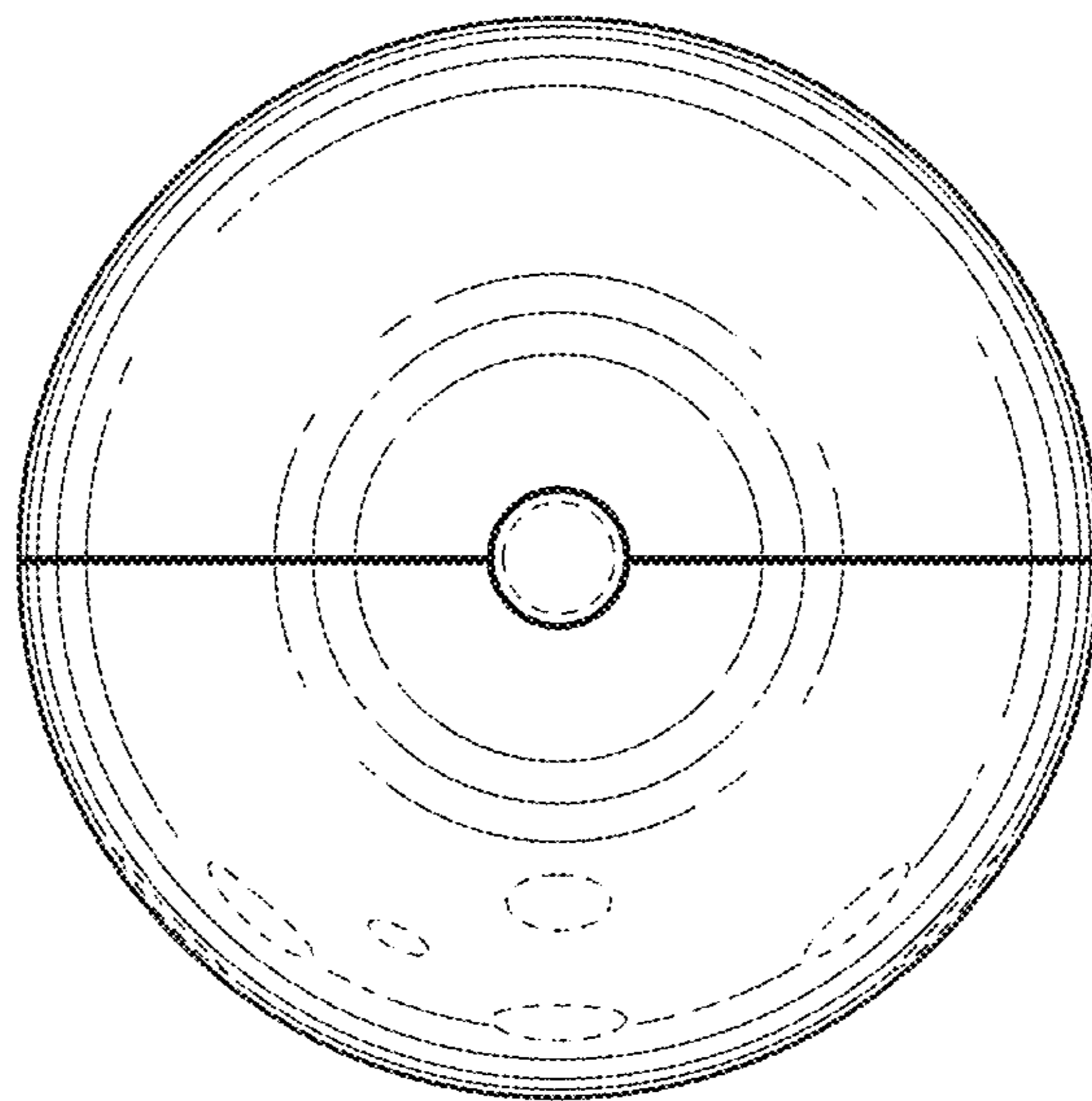


FIG. 21