



US00D763823S

(12) **United States Design Patent**
Holzer

(10) **Patent No.:** **US D763,823 S**

(45) **Date of Patent:** **** Aug. 16, 2016**

(54) **RECHARGEABLE STEREO SPEAKER SYSTEM WITH REMOVABLE BATTERY CHARGER**

(71) Applicant: **Eric Holzer**, Piscataway, NJ (US)

(72) Inventor: **Eric Holzer**, Piscataway, NJ (US)

(73) Assignee: **SDI TECHNOLOGIES, INC.**, Rahway, NJ (US)

(**) Term: **14 Years**

(21) Appl. No.: **29/496,179**

(22) Filed: **Jul. 10, 2014**

(51) **LOC (10) Cl.** **14-01**

(52) **U.S. Cl.**
USPC **D14/209.1**

(58) **Field of Classification Search**
USPC D14/209.1, 204, 171, 216, 240, 214,
D14/217, 434, 496, 253; D13/107, 108;
381/333, 334; 320/114; 181/146, 153
CPC H04R 1/02; A47B 81/06
See application file for complete search history.

(56) **References Cited**

U.S. PATENT DOCUMENTS

6,014,011	A	*	1/2000	DeFelice	H02J 7/0004 320/107
D483,739	S	*	12/2003	Olson	D14/214
D485,825	S	*	1/2004	Yoneda	D14/215
D495,336	S	*	8/2004	Andre	D14/434
D512,418	S	*	12/2005	Sarasjoki	D13/108
D514,090	S	*	1/2006	Carbone	D14/168
D523,419	S	*	6/2006	Joseph	D14/214
D525,962	S	*	8/2006	Elson	D14/142
D526,643	S	*	8/2006	Ishizaki	D14/214
D532,005	S	*	11/2006	Leith	D14/253
D532,773	S	*	11/2006	Langberg	D14/168
D535,942	S	*	1/2007	Kim	D13/108
D538,787	S	*	3/2007	Tsai	D14/209.1
D540,782	S	*	4/2007	Katsumata	D14/214

D542,272	S	*	5/2007	Shiono	D14/214
D542,772	S	*	5/2007	Shimizu	D14/171
D552,080	S	*	10/2007	Langberg	D14/214
D553,155	S	*	10/2007	Kim	D14/496
D554,104	S	*	10/2007	Kurihara	D14/214
D556,188	S	*	11/2007	Ang	D14/214
D556,732	S	*	12/2007	Chan	D14/168
D560,208	S	*	1/2008	Skurdal	D14/214
D560,657	S	*	1/2008	Langberg	D14/214
D563,387	S	*	3/2008	Aquillano	D14/214
D566,101	S	*	4/2008	Griffin	D14/214
D579,915	S	*	11/2008	Yeo	D14/214
D580,856	S	*	11/2008	Haspil	D13/108
D583,356	S	*	12/2008	Schul	D14/168
D584,287	S	*	1/2009	Pauschitz	D14/214

(Continued)

Primary Examiner — Paula Greene

(74) *Attorney, Agent, or Firm* — Ostrolenk Faber LLP

(57) **CLAIM**

The ornamental design for a rechargeable stereo speaker system with removable battery charger, as shown and described.

DESCRIPTION

FIG. 1 is a top, front perspective view of a rechargeable stereo speaker system with removable battery charger showing my new design;

FIG. 2 is a front view thereof;

FIG. 3 is a rear view thereof;

FIG. 4 is a top view thereof;

FIG. 5 is a bottom view thereof;

FIG. 6 is a left side view thereof;

FIG. 7 is a right side view thereof;

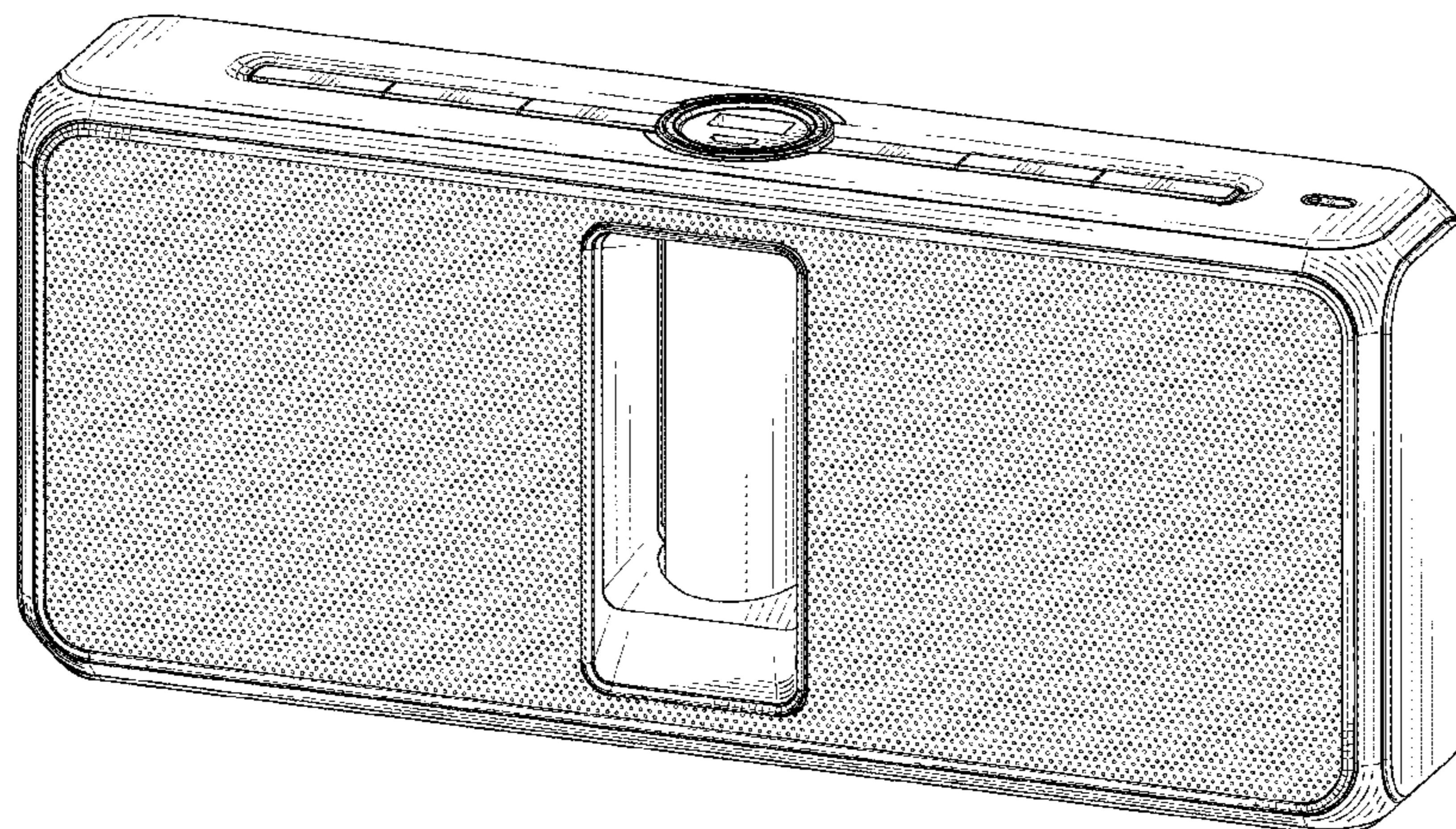
FIG. 8 is a cross-sectional view thereof along line 8-8 in FIG. 2;

FIG. 9 is a cross-sectional view thereof along line 9-9 in FIG. 4; and,

FIG. 10 is a cross-sectional view thereof along line 10-10 in FIG. 2.

The broken lines in the drawings illustrate environmental material that forms no part of the claimed design.

1 Claim, 10 Drawing Sheets



(56)

References Cited

U.S. PATENT DOCUMENTS

D591,308 S * 4/2009 Sasaki D14/168
 D592,186 S * 5/2009 Cho D14/214
 D596,621 S * 7/2009 Andre D14/217
 D598,006 S * 8/2009 Tse D14/209.1
 D599,782 S * 9/2009 Tse D14/209.1
 D608,343 S * 1/2010 Skurdal D14/204
 D610,569 S * 2/2010 Fiebel D14/209.1
 7,689,197 B2 * 3/2010 Laude G11B 17/0405
 181/198
 D620,921 S * 8/2010 Skurdal D14/209.1
 D633,080 S * 2/2011 Wakabayashi D14/209.1
 D633,503 S * 3/2011 Bo D14/434
 D636,759 S * 4/2011 Chen D14/214
 D639,271 S * 6/2011 Xiao D14/209.1
 D647,505 S * 10/2011 Skurdal D14/209.1

D648,743 S * 11/2011 Chang D14/168
 D659,119 S * 5/2012 Brunner D14/209.1
 D662,491 S * 6/2012 Andre D13/108
 D674,779 S * 1/2013 Joseph D14/214
 D680,514 S * 4/2013 Birger D14/149
 D681,648 S * 5/2013 Kostrzewski D14/159
 D682,806 S * 5/2013 Smith D14/155
 D690,286 S * 9/2013 Petersen D14/209.1
 D710,329 S * 8/2014 Holzer D14/216
 D729,762 S * 5/2015 Hu D14/194
 D753,631 S * 4/2016 Holzer D14/216
 2005/0265569 A1 * 12/2005 Langberg G11B 33/122
 381/334
 2006/0250764 A1 * 11/2006 Howarth G06F 1/1632
 361/679.41
 2007/0047198 A1 * 3/2007 Crooijmans G06F 1/1632
 361/679.41

* cited by examiner

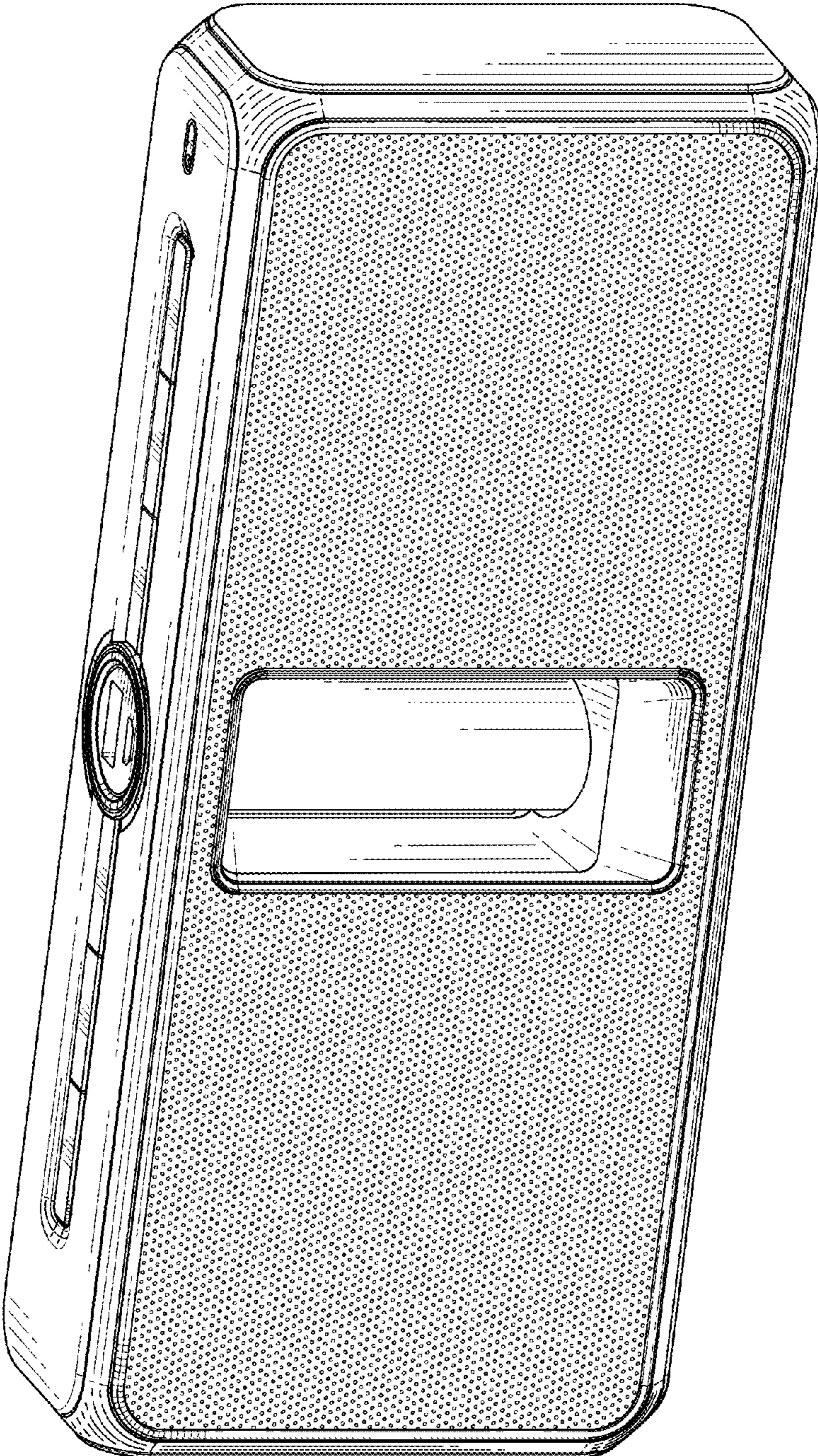


FIG.1

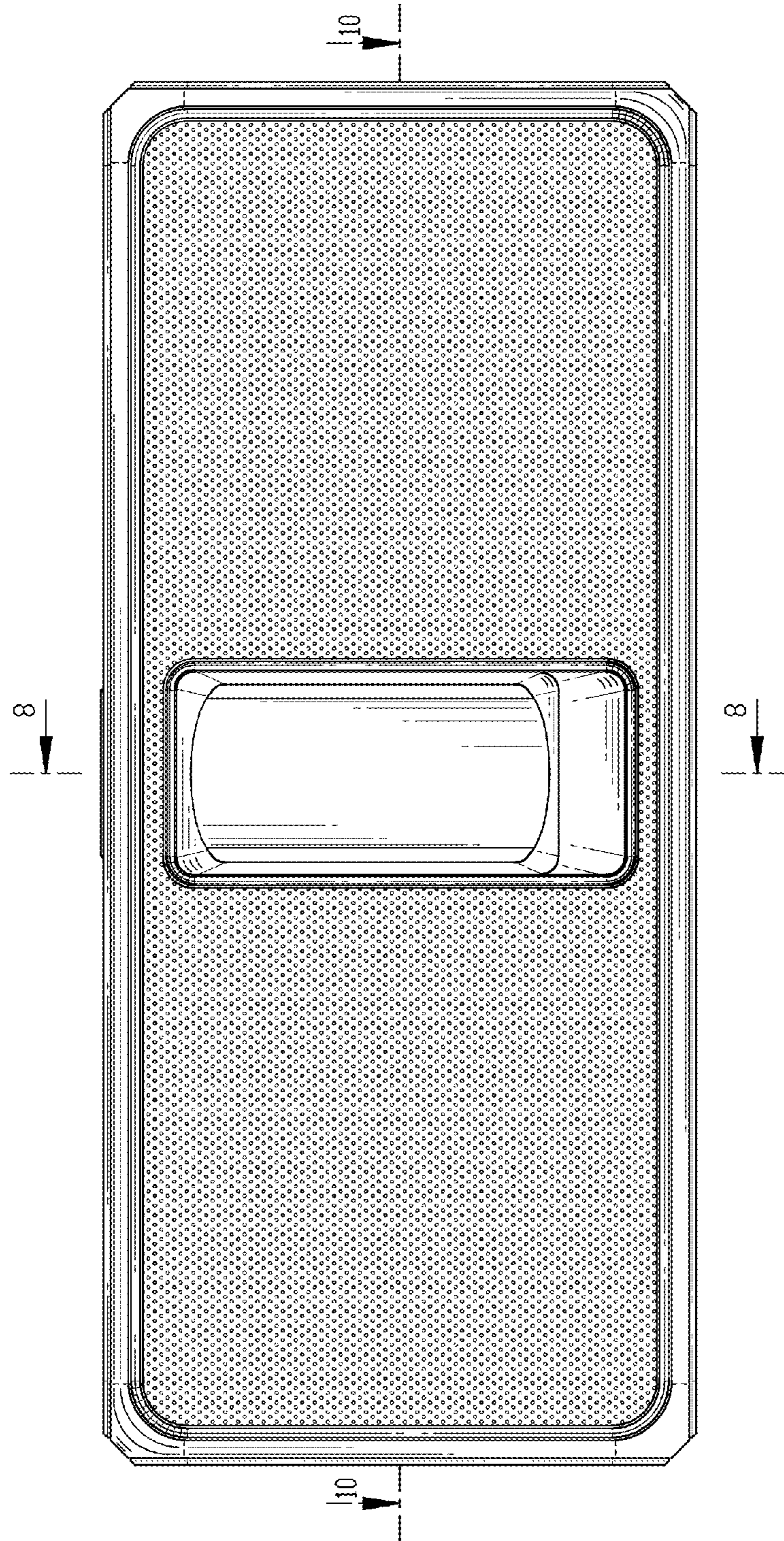


FIG. 2

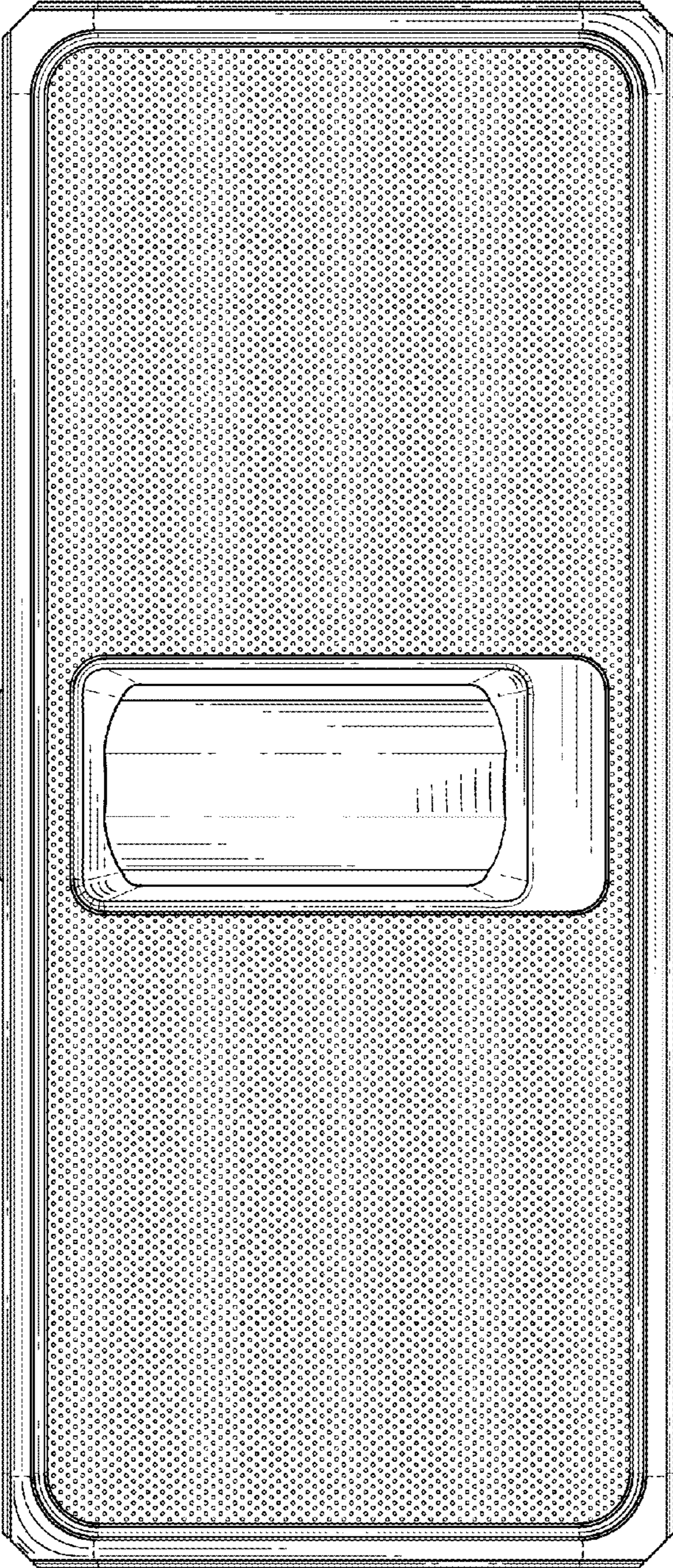


FIG. 3

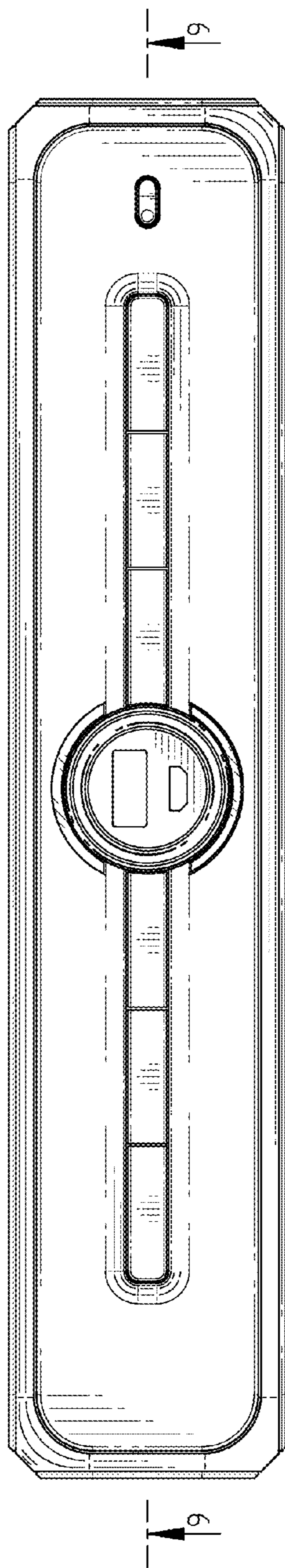


FIG. 4

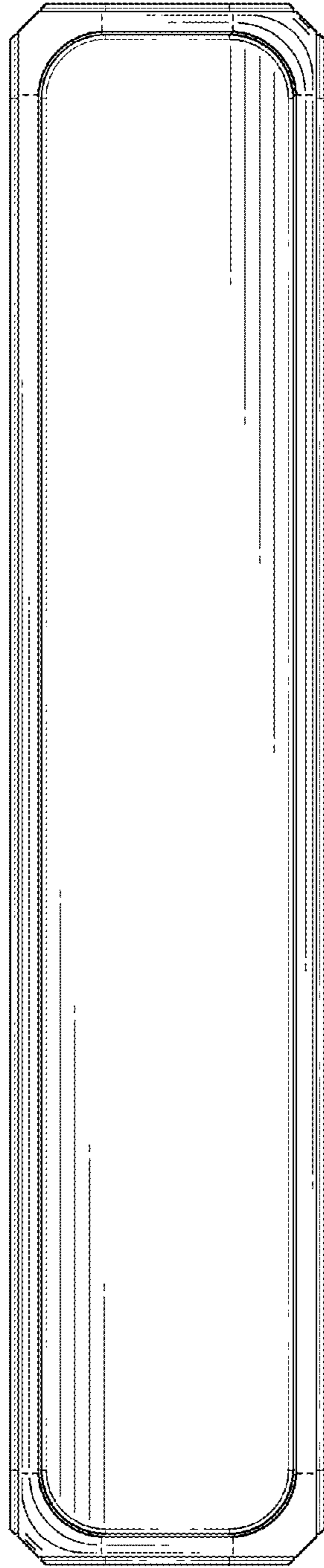


FIG. 5

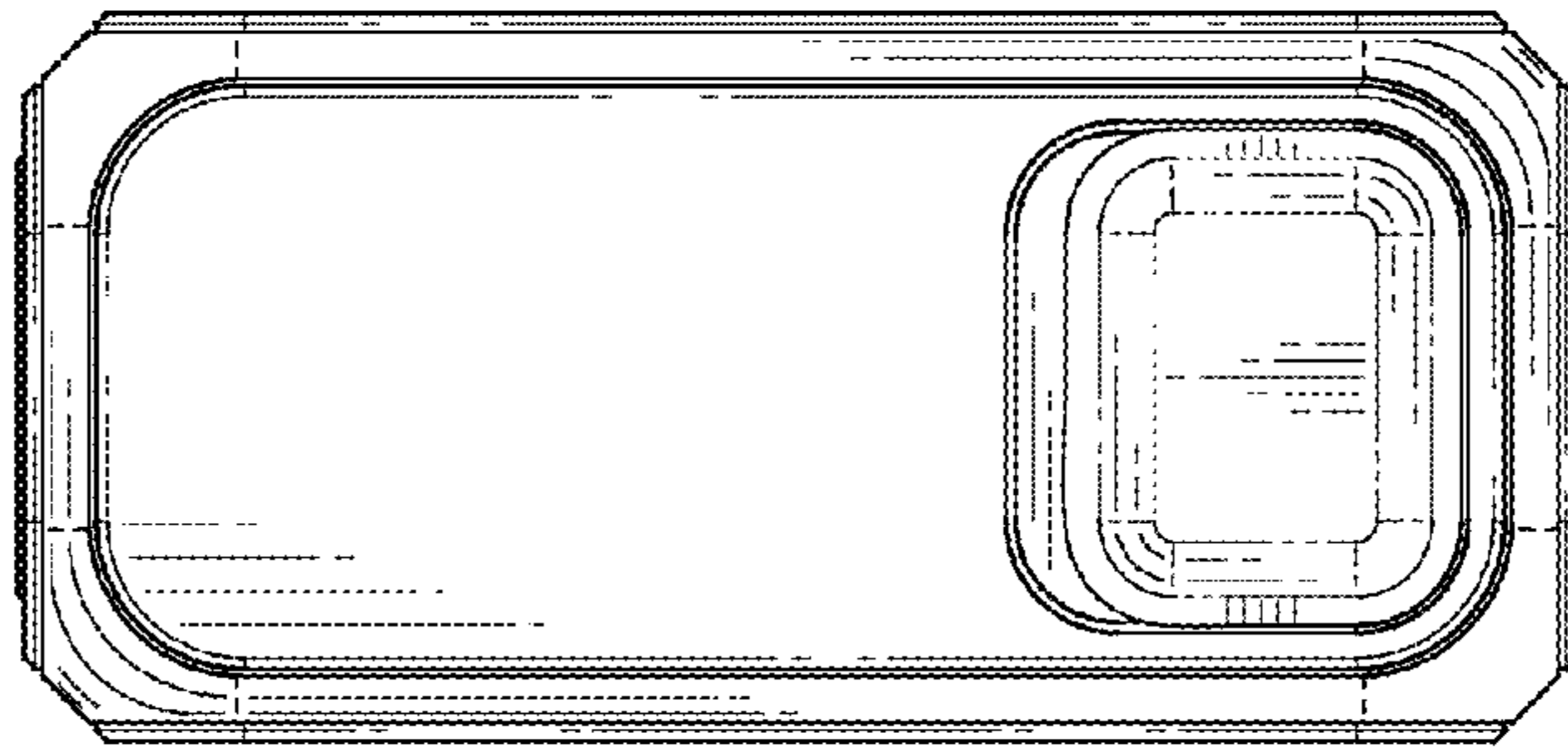


FIG. 6

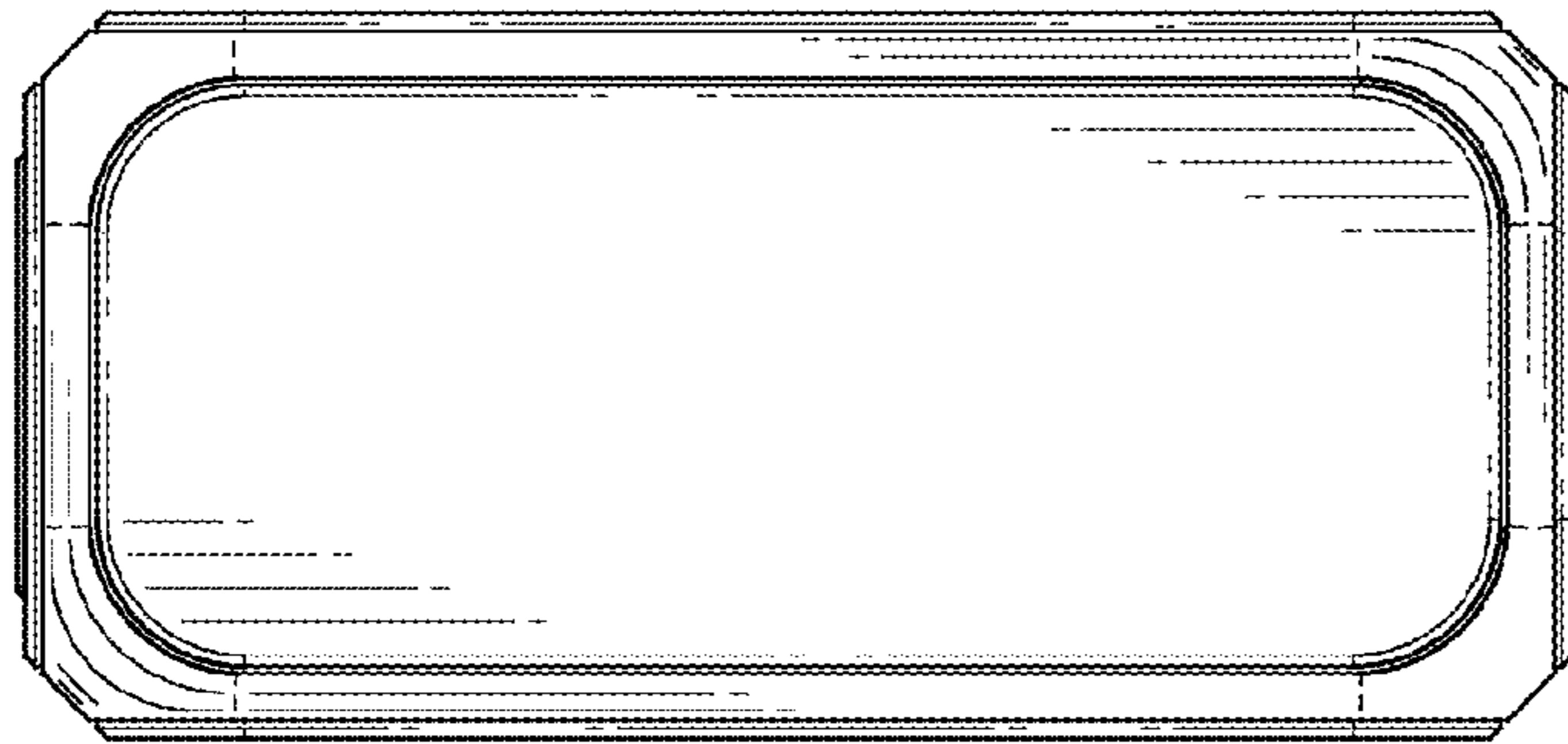


FIG. 7

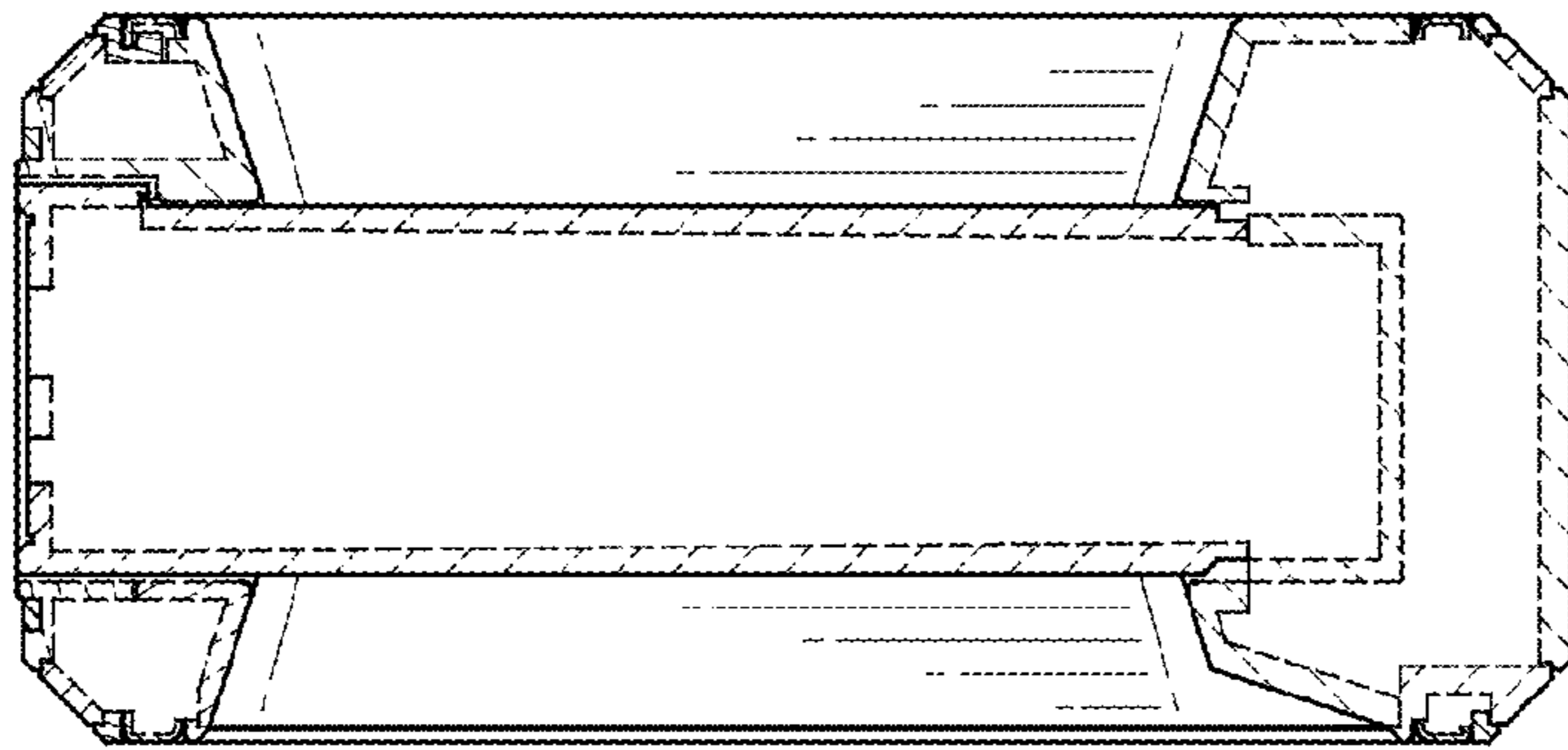


FIG. 8

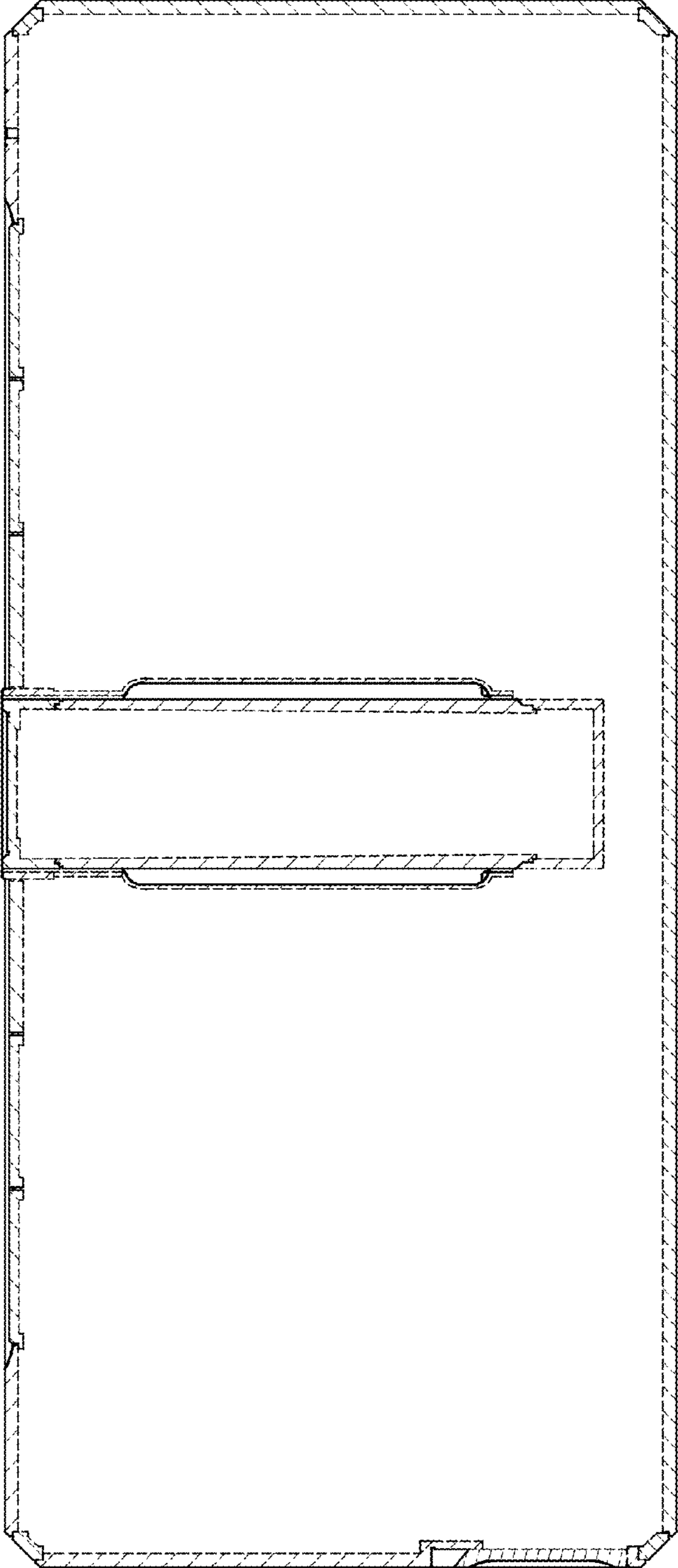


FIG. 9

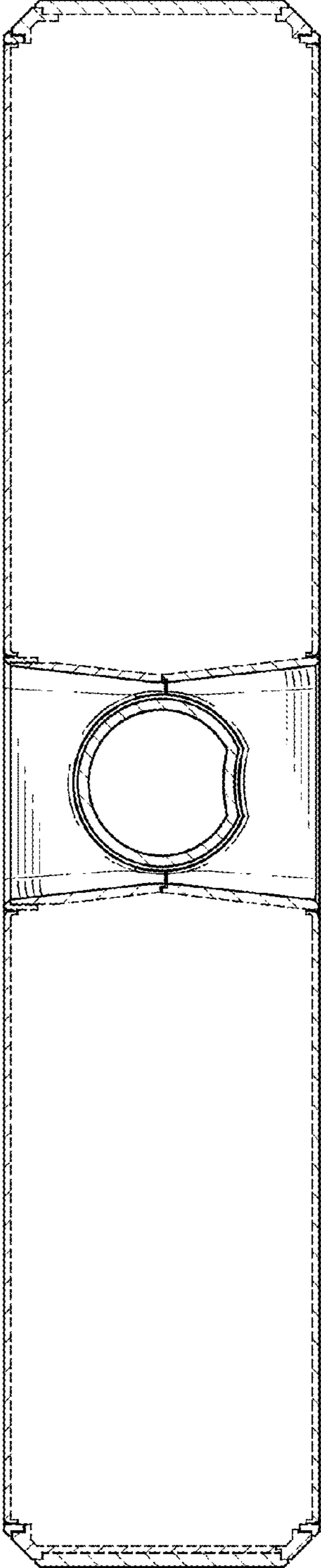


FIG. 10