



US00D763821S

(12) **United States Design Patent**
Leopardi et al.

(10) **Patent No.:** **US D763,821 S**

(45) **Date of Patent:** **** Aug. 16, 2016**

(54) **HEADPHONES**

(71) Applicant: **NINJAWAV, LLC**, Fort Lauderdale, FL (US)

(72) Inventors: **Emmett Jay Leopardi**, Wilton Manors, FL (US); **Walter Riley Thurmond, III**, Maple Valley, WA (US); **Carl R. Harte**, Tamarac, FL (US)

(**) Term: **15 Years**

(21) Appl. No.: **29/528,301**

(22) Filed: **May 28, 2015**

(51) **LOC (10) Cl.** **14-01**

(52) **U.S. Cl.**
USPC **D14/205**

(58) **Field of Classification Search**
USPC D14/205, 188, 192; D29/112; 2/209;
181/129, 130, 135; 379/430, 431;
381/380, 381; 455/90.1, 575.1
CPC H04R 1/1066; H04R 1/1016; H04R 1/10;
H04R 25/00

See application file for complete search history.

(56) **References Cited**

U.S. PATENT DOCUMENTS

2,537,201	A *	1/1951	Amfitheatrof	A61F 11/008 181/136
4,634,816	A *	1/1987	O'Malley	H04M 1/05 379/430
D297,324	S *	8/1988	Kohno	D14/205
D316,861	S *	5/1991	Yoda	D14/205
D318,669	S *	7/1991	Nakayama	D14/205
5,459,290	A *	10/1995	Yamagishi	H04R 1/1075 181/129
D373,360	S *	9/1996	Kanno	D14/205
D377,021	S *	12/1996	Isono	D14/205
D421,014	S *	2/2000	Smith	D14/205
D422,592	S *	4/2000	Deguchi	D14/205
D452,491	S *	12/2001	Sato	D14/205
6,792,122	B1 *	9/2004	Okada	H04R 1/26 381/151

D502,938	S *	3/2005	Tokioka	D14/205
D544,464	S *	6/2007	Lee	D14/205
D584,715	S *	1/2009	Brennwald	D14/205
D588,098	S *	3/2009	Kurihara	D14/205
D594,847	S *	6/2009	Suzuki	D14/205
7,580,539	B2 *	8/2009	Tachikawa	H04R 1/1066 381/374
D600,674	S *	9/2009	Brennwald	D14/205
D639,776	S *	6/2011	Arimoto	D14/205
D656,125	S *	3/2012	Komiyama	D14/205
D665,775	S *	8/2012	Katsumata	D14/205
D675,595	S *	2/2013	Cho	D14/205
D684,140	S *	6/2013	Enquist	D14/205
D691,109	S *	10/2013	Hardi	D14/205
D704,161	S *	5/2014	Morimoto	D14/205
D706,240	S *	6/2014	Szymanski	D14/205
D706,241	S *	6/2014	Szymanski	D14/205

(Continued)

Primary Examiner — Paula Greene

(74) *Attorney, Agent, or Firm* — The Concept Law Group, P.A.; Scott D. Smiley; Yongae Jun

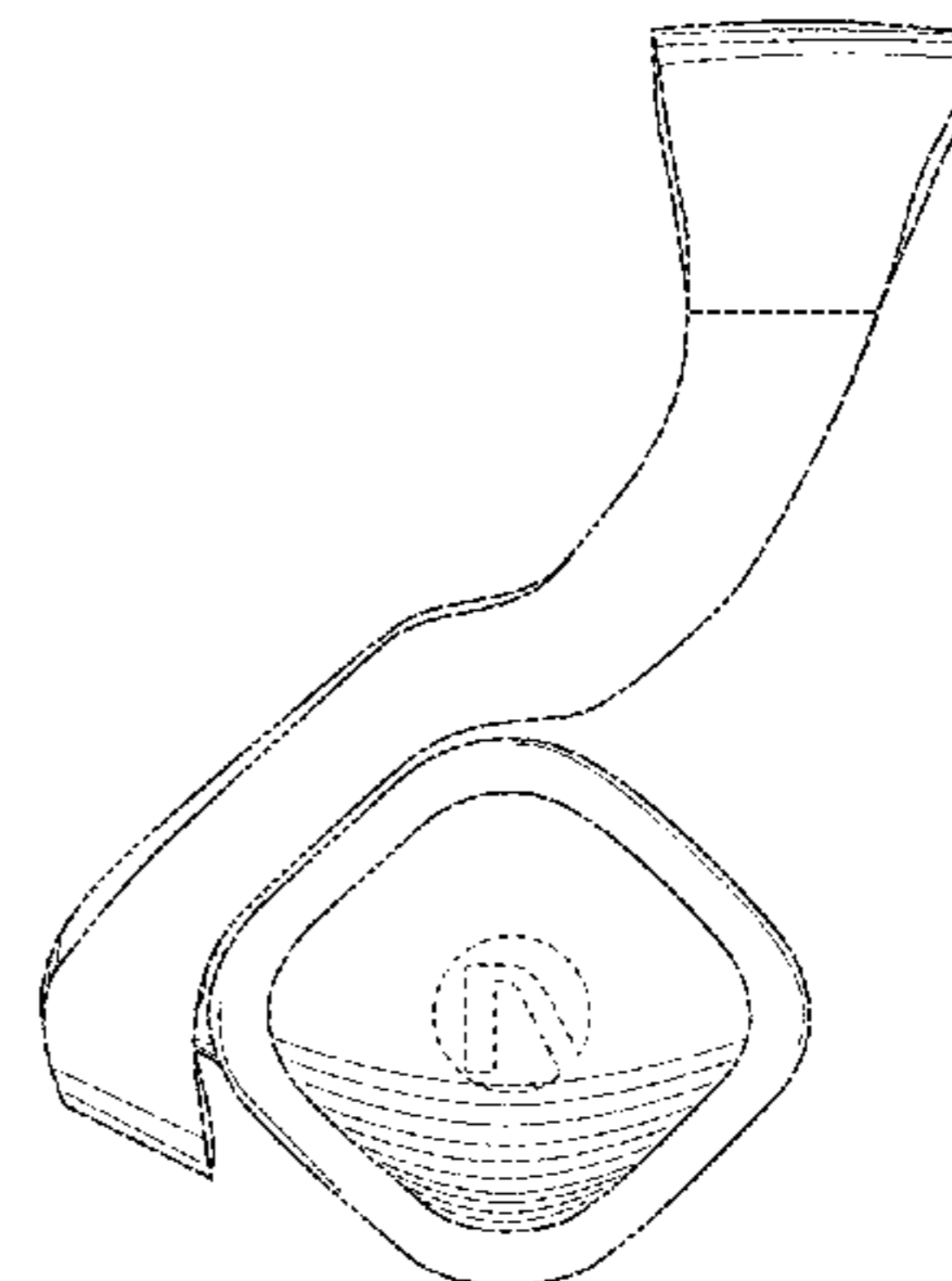
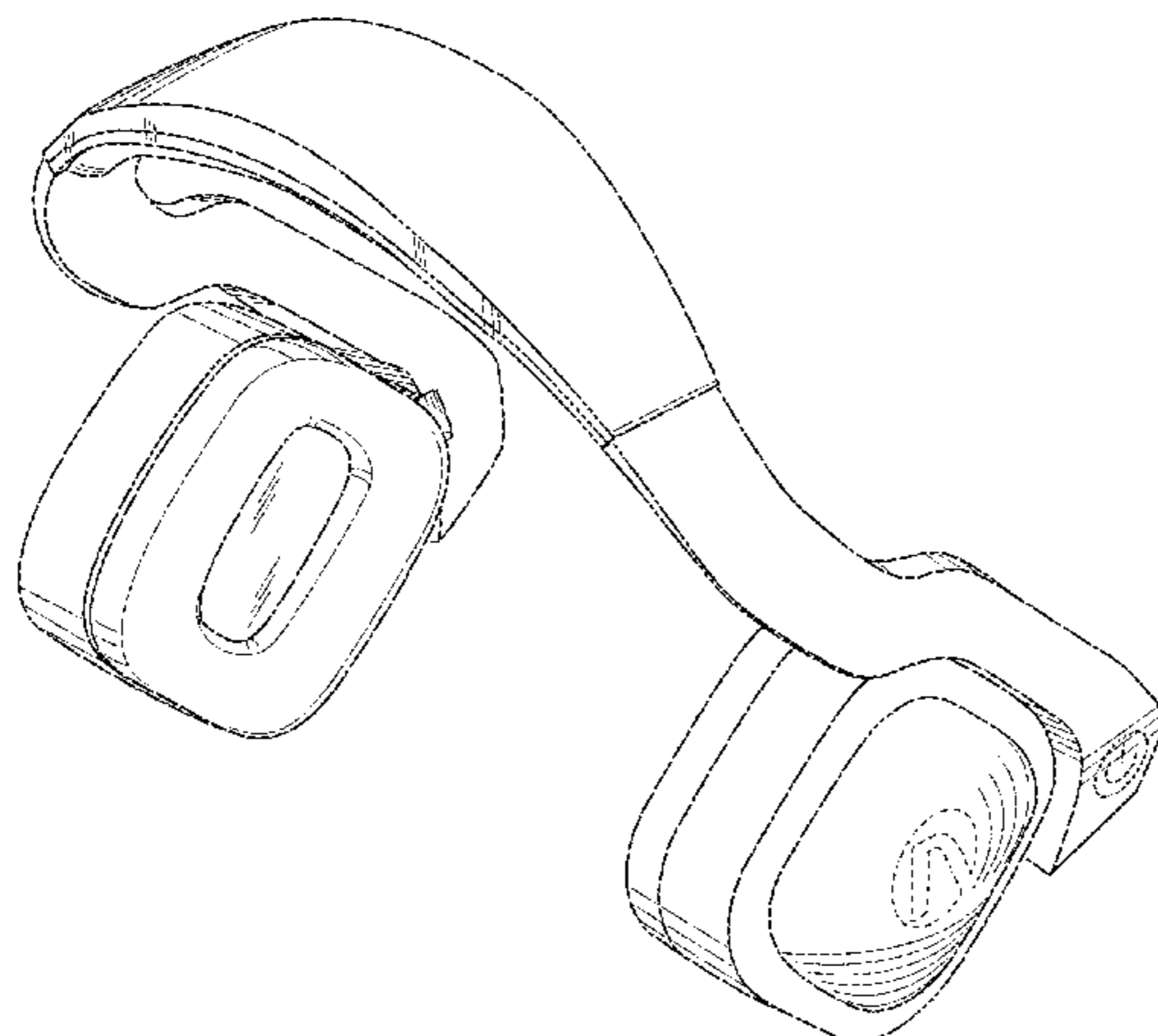
(57) **CLAIM**

The ornamental design for headphones, as shown and described.

DESCRIPTION

FIG. 1 is a perspective downward-looking front view of headphones in accordance with the present invention; FIG. 2 is an elevational front view of the headphones of FIG. 1 in accordance with the present invention; FIG. 3 is an elevational back view of the headphones of FIG. 1 in accordance with the present invention; FIG. 4 is an elevational bottom view of the headphones of FIG. 1 in accordance with the present invention; FIG. 5 is an elevational top view of the headphones of FIG. 1 in accordance with the present invention; FIG. 6 is an elevational left-side view of the headphones of FIG. 1 in accordance with the present invention; and, FIG. 7 is an elevational right-side edge view of the headphones of FIG. 1 in accordance with the present invention. The broken lines form no part of the claimed design.

1 Claim, 5 Drawing Sheets



(56)

References Cited

U.S. PATENT DOCUMENTS

D707,653 S * 6/2014 Hardi D14/205
D708,163 S * 7/2014 Ishikura D14/205
D712,375 S * 9/2014 Miyake D14/205
D727,289 S * 4/2015 Czaniecki D14/205

D728,512 S * 5/2015 Nakagawa D14/205
D729,194 S * 5/2015 Boeckel D14/205
D733,090 S * 6/2015 Petersen D14/205
9,219,807 B1 * 12/2015 Leopardi H04M 1/72527
D750,593 S * 3/2016 Hardi D14/205
2007/0165899 A1 * 7/2007 Garin H04R 5/0335
381/377

* cited by examiner

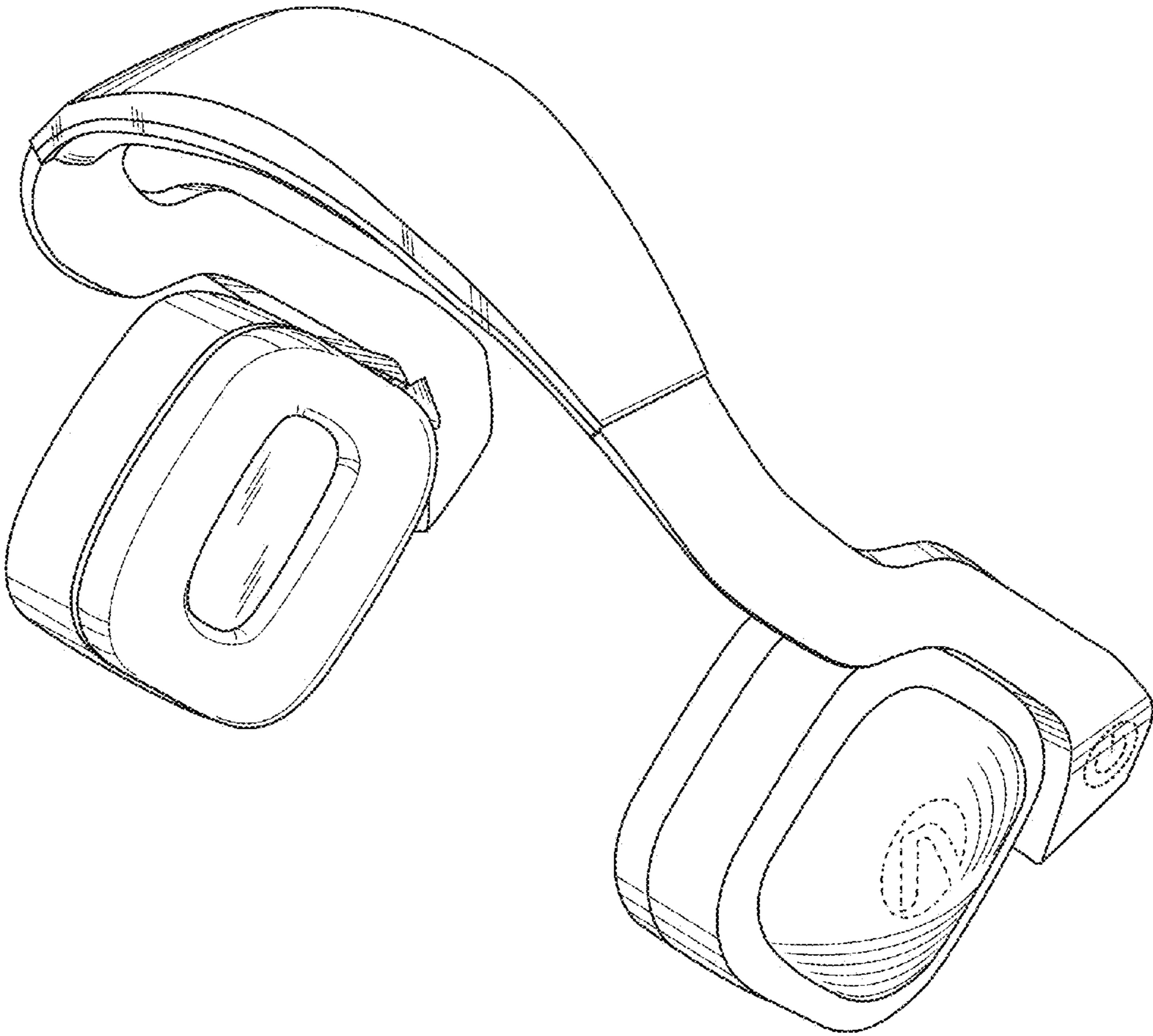


FIG. 1

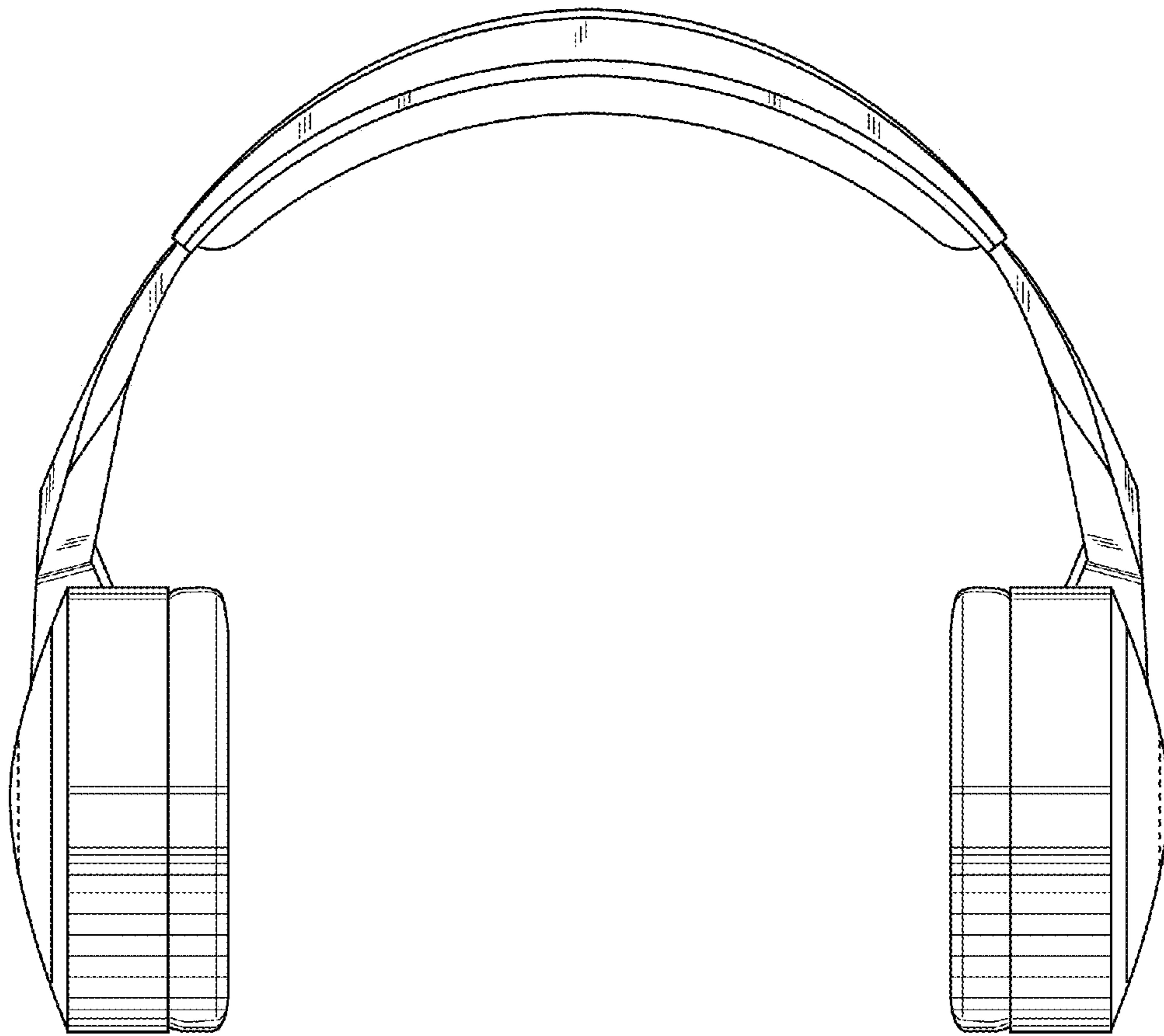


FIG. 2

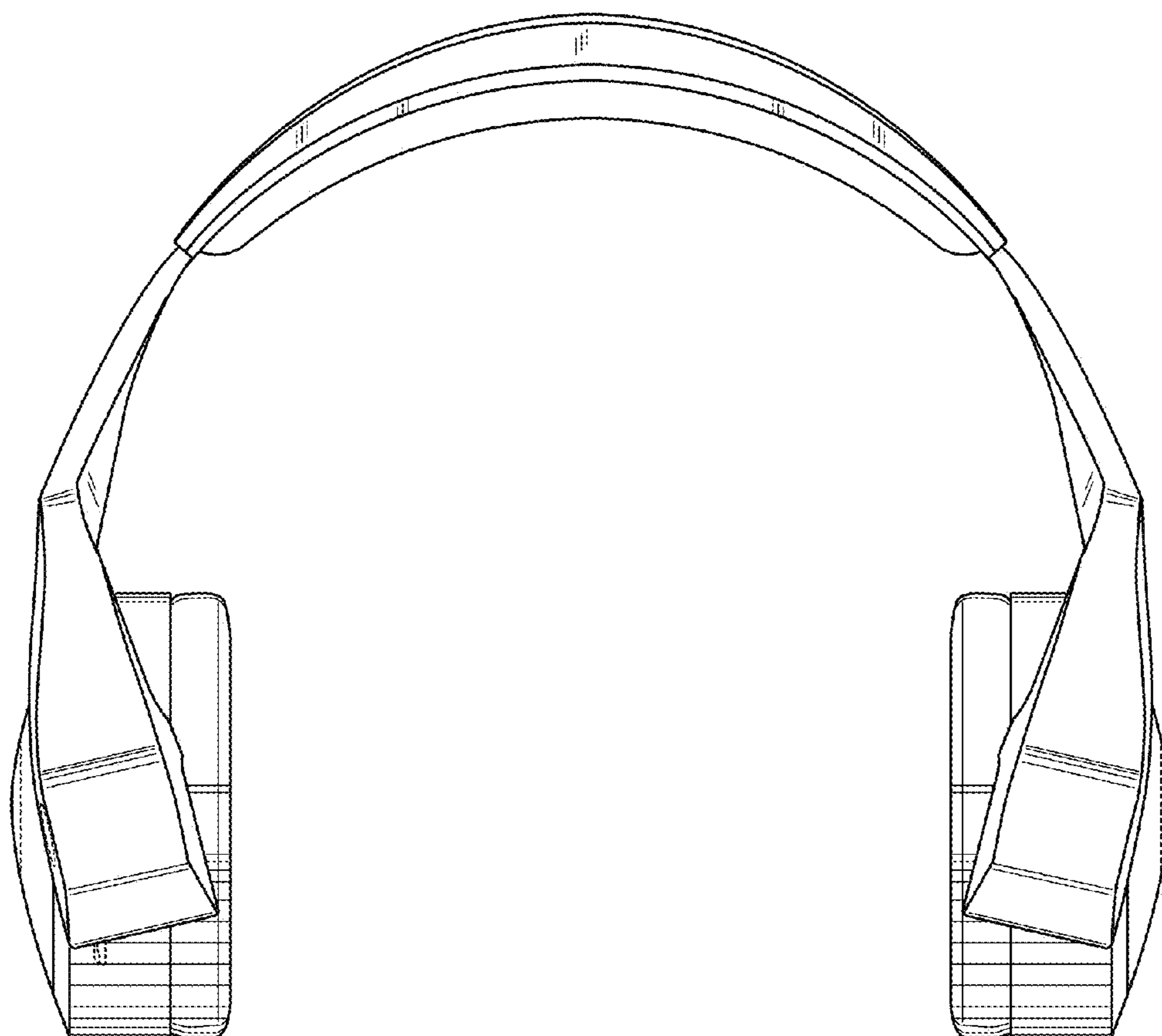


FIG. 3

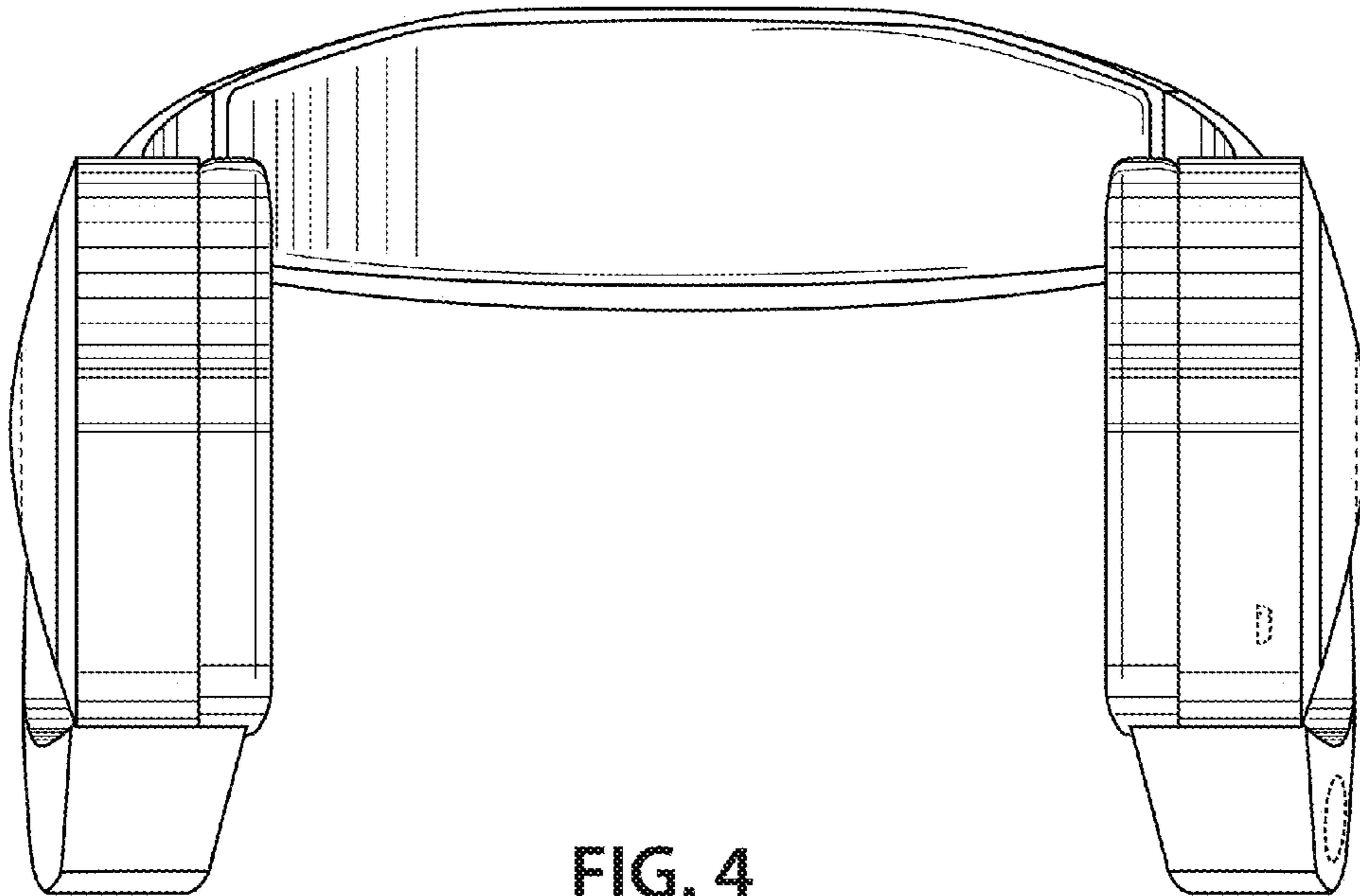


FIG. 4

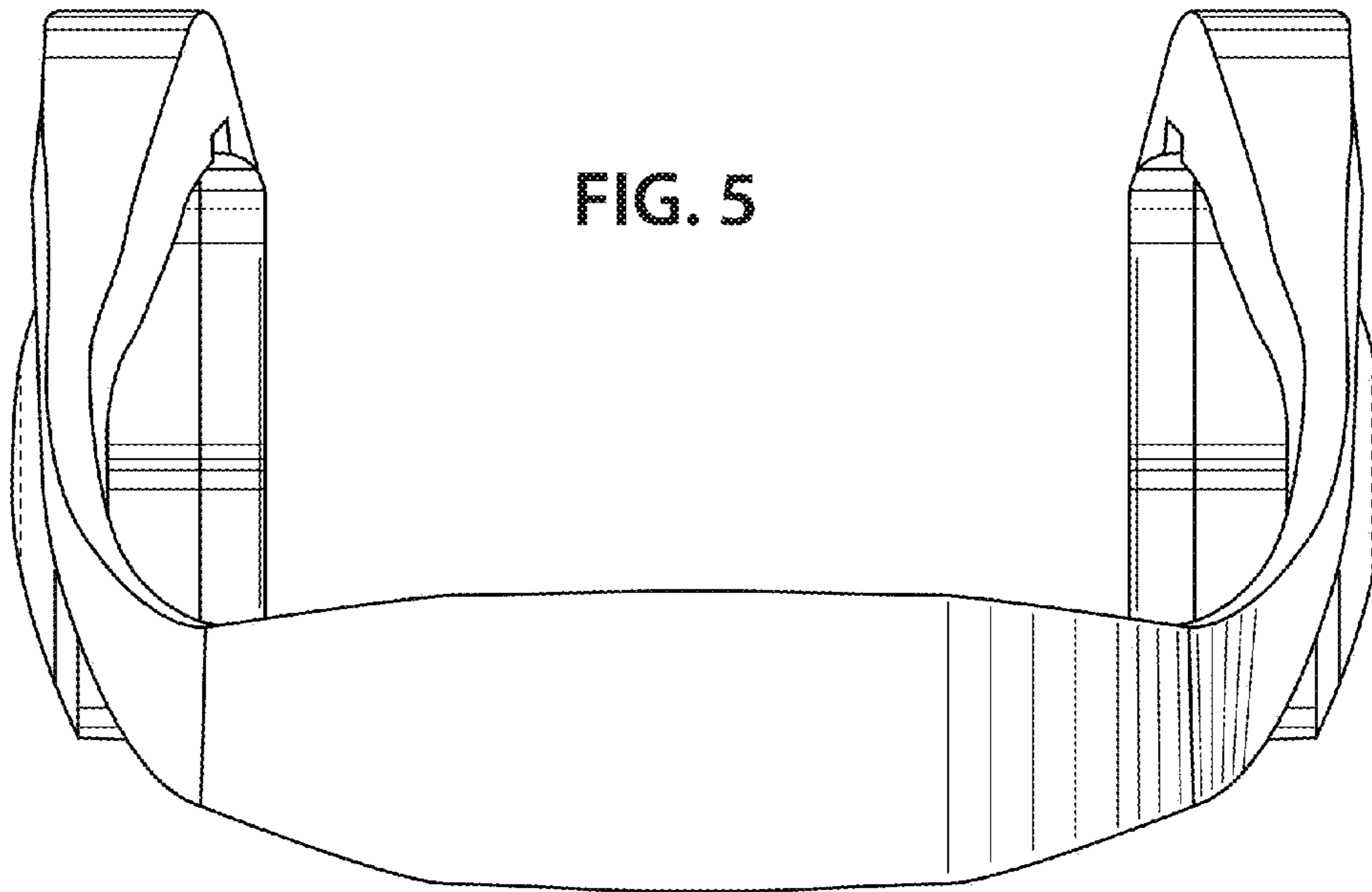


FIG. 5

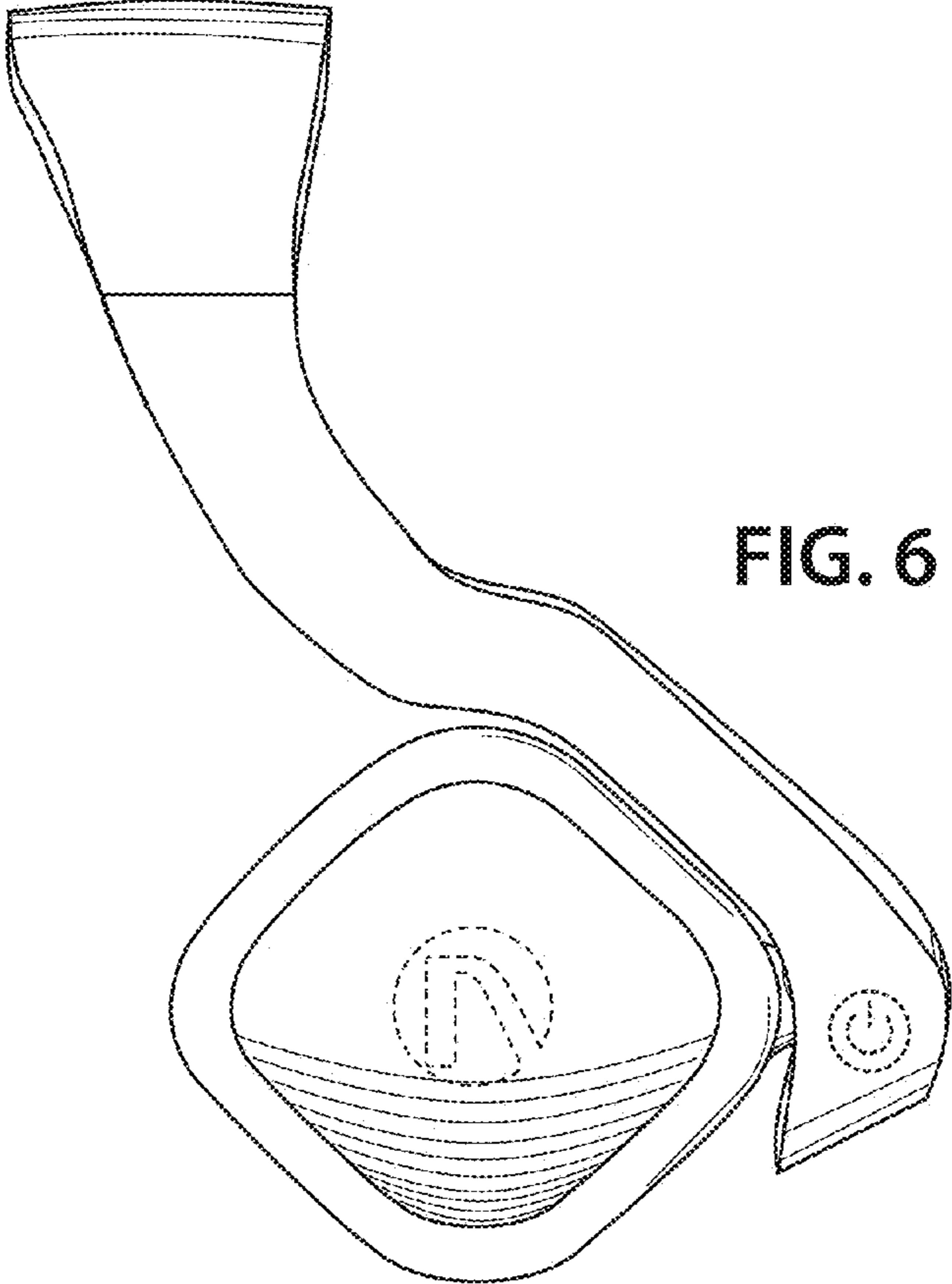


FIG. 6

FIG. 7

