



US00D763820S

(12) **United States Design Patent**
Mchatet

(10) **Patent No.:** **US D763,820 S**

(45) **Date of Patent:** **** Aug. 16, 2016**

(54) **HEADPHONES**

(71) Applicant: **Hamid Mchatet**, Miami, FL (US)

(72) Inventor: **Hamid Mchatet**, Miami, FL (US)

(**) Term: **14 Years**

(21) Appl. No.: **29/521,668**

(22) Filed: **Mar. 25, 2015**

(51) **LOC (10) Cl.** **14-01**

(52) **U.S. Cl.**
USPC **D14/205**

(58) **Field of Classification Search**
USPC D14/205, 188, 192; D29/112; 2/209;
181/129, 130, 135; 379/430, 431;
381/380, 381; 455/90.3, 575.1
CPC H04R 25/00; H04R 1/10; H04R 1/1066
See application file for complete search history.

D585,879 S *	2/2009	Schulman	D14/223
D588,100 S *	3/2009	Densho	D14/205
D591,263 S *	4/2009	Shimizu	D14/205
D592,640 S *	5/2009	Tkachuk	D14/205
D593,995 S *	6/2009	Shimizu	D14/205
D603,371 S *	11/2009	Boateng	D14/205
D617,769 S *	6/2010	Birger	D14/205
D625,705 S *	10/2010	Ohuri	D14/205
D632,668 S *	2/2011	Brunner	D14/205
D637,176 S *	5/2011	Brunner	D14/205
D649,528 S *	11/2011	Park	D14/205
D652,406 S *	1/2012	Lee	D14/205
D657,344 S *	4/2012	Brunner	D14/205
D673,136 S *	12/2012	Kelly	D14/205
D673,520 S *	1/2013	Tan	D14/205
D675,595 S *	2/2013	Cho	D14/205
D678,860 S *	3/2013	Hagelin	D14/205
D680,516 S *	4/2013	Lee	D14/205
D685,345 S *	7/2013	Serota	D14/205
D685,763 S *	7/2013	Lee	D14/205
D697,896 S *	1/2014	Lee	D14/205
D716,256 S *	10/2014	Ang	D14/205
D717,766 S *	11/2014	Mchatet	D14/205
D739,842 S *	9/2015	Birger	D14/205
D739,843 S *	9/2015	Daniel	D14/205

(56) **References Cited**

U.S. PATENT DOCUMENTS

D237,307 S *	10/1975	Miyamoto	D14/192
D246,242 S *	11/1977	Bellini	D14/205
4,455,457 A *	6/1984	Akira	H04R 5/0335 181/141
4,538,034 A *	8/1985	French	H04R 1/1066 2/209
D316,551 S *	4/1991	Ichikawa	D14/205
D316,861 S *	5/1991	Yoda	D14/205
D338,010 S *	8/1993	Yamatogi	D14/205
D340,033 S *	10/1993	Okumura	D14/192
D342,947 S *	1/1994	Totsuka	D14/192
D352,036 S *	11/1994	Sekita	D14/192
5,369,857 A *	12/1994	Sacherman	H04R 5/0335 29/594
D394,062 S *	5/1998	Chun	D14/192
D484,485 S *	12/2003	Matsuoka	D14/205
6,902,029 B2 *	6/2005	Weise	A42B 3/166 128/867
6,980,165 B2 *	12/2005	Yuasa	H01Q 1/273 343/718
D534,155 S *	12/2006	Obata	D14/205
D541,256 S *	4/2007	Rausch	D14/205
D582,890 S *	12/2008	Koza	D14/205

* cited by examiner

Primary Examiner — Paula Greene

(74) *Attorney, Agent, or Firm* — Albert Bordas, P.A.

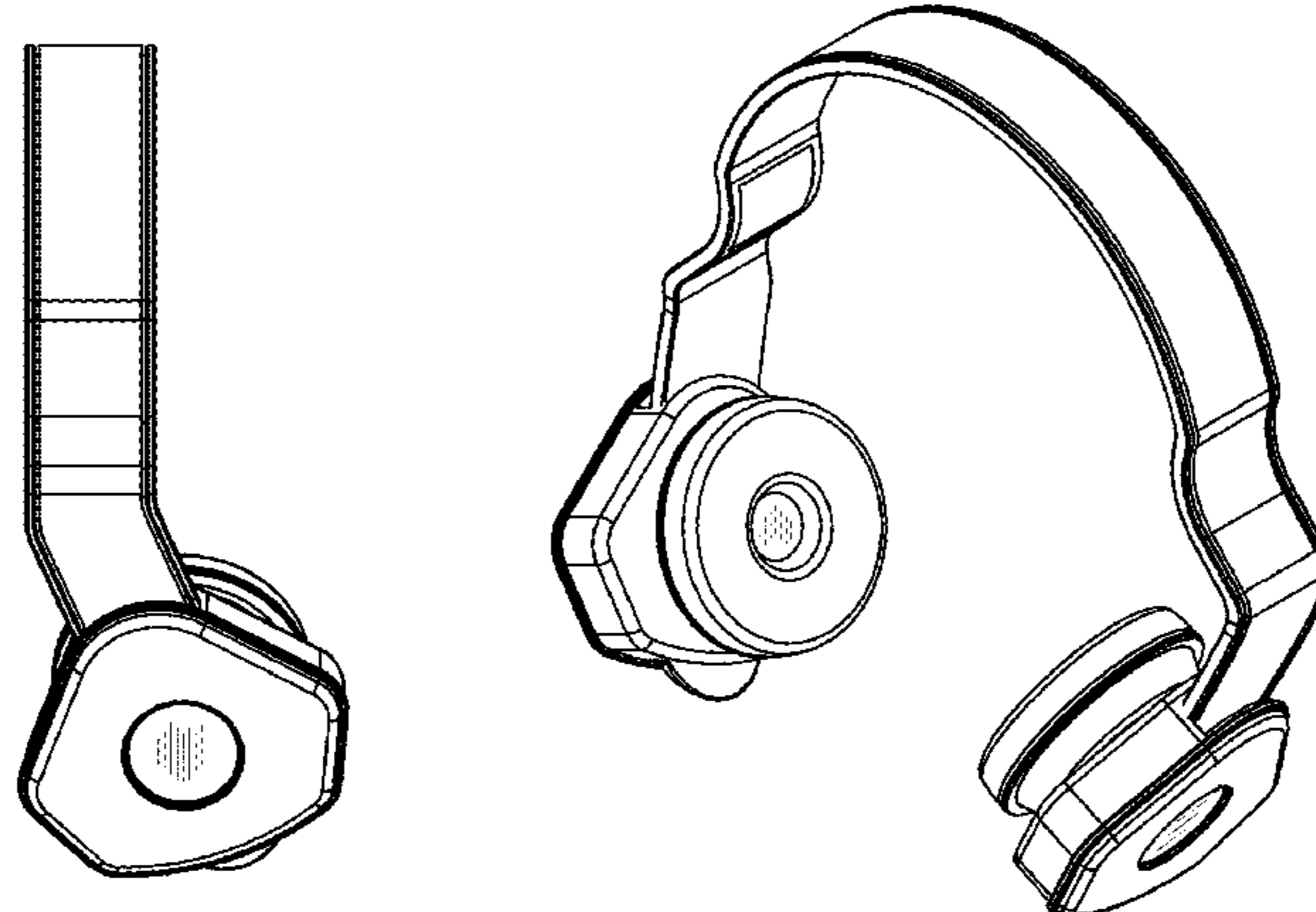
(57) **CLAIM**

The ornamental design for headphones, as shown and described.

DESCRIPTION

FIG. 1 is a top plan view of a headphone;
FIG. 2 is a front elevational view thereof;
FIG. 3 is a bottom view thereof;
FIG. 4 is a right-side elevational view thereof;
FIG. 5 is a rear elevational view thereof;
FIG. 6 is a left-side elevational view thereof; and,
FIG. 7 is an isometric view thereof.
The claimed headphones are used to hear sounds from an electronic device.

1 Claim, 4 Drawing Sheets



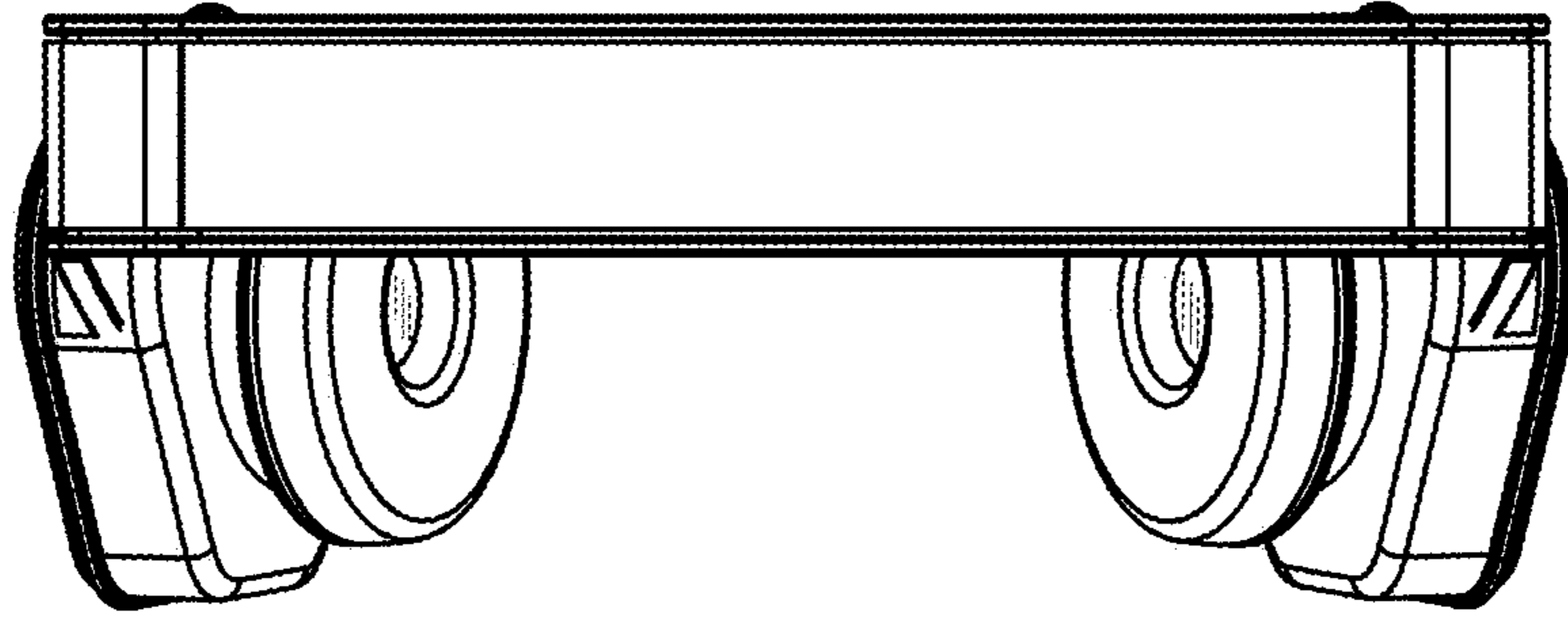


Fig 1



Fig 2

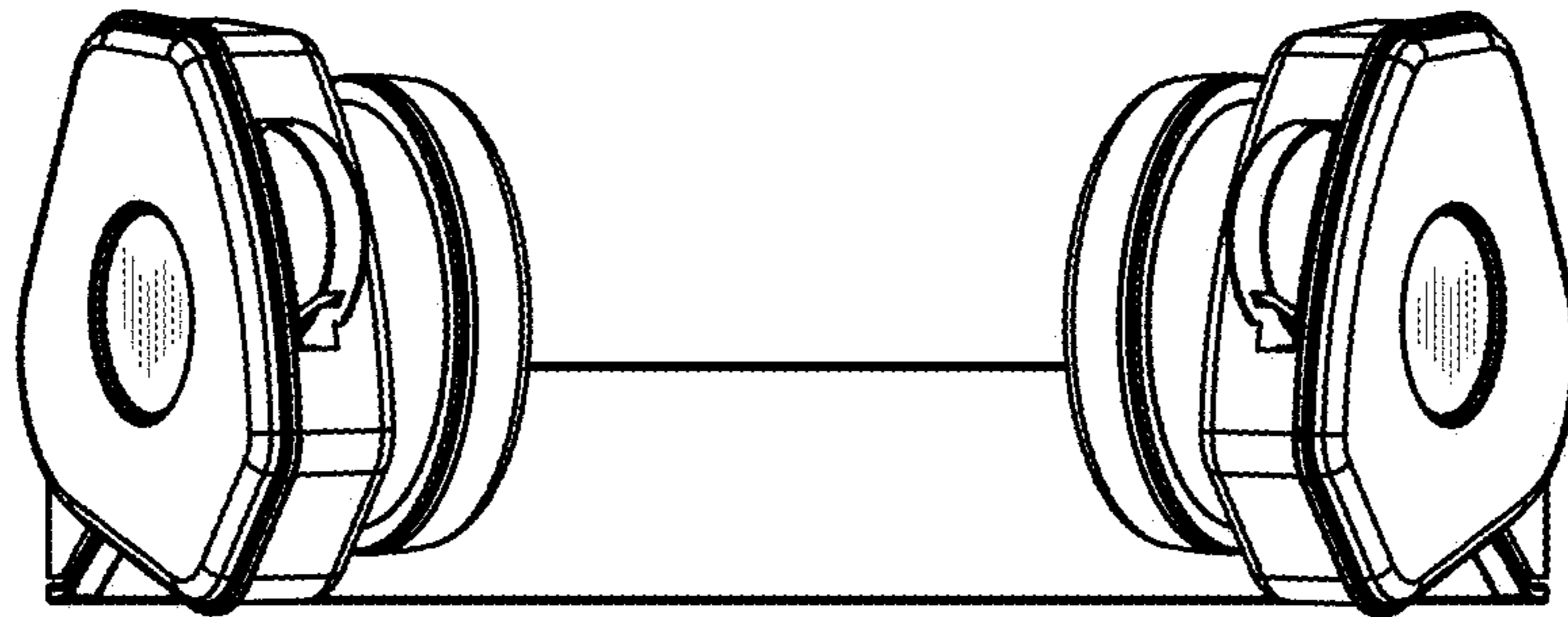


Fig 3

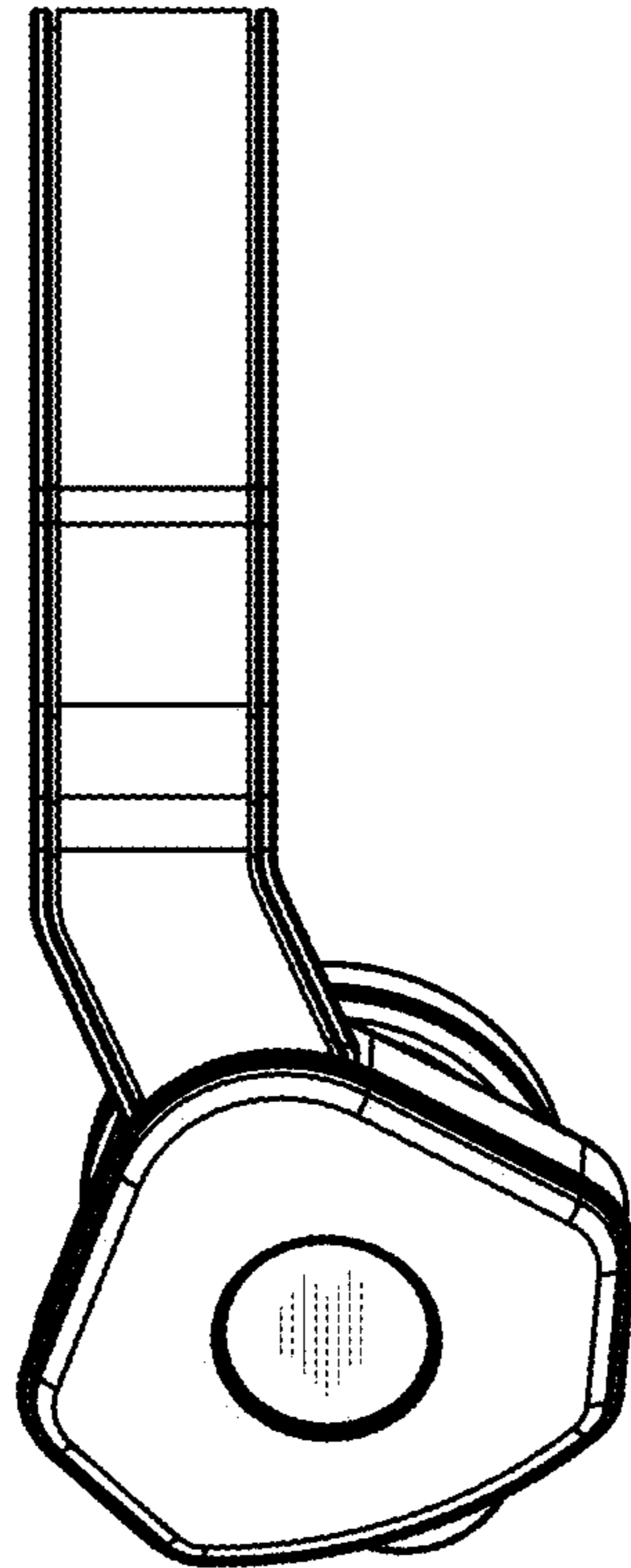


Fig 4



Fig 5

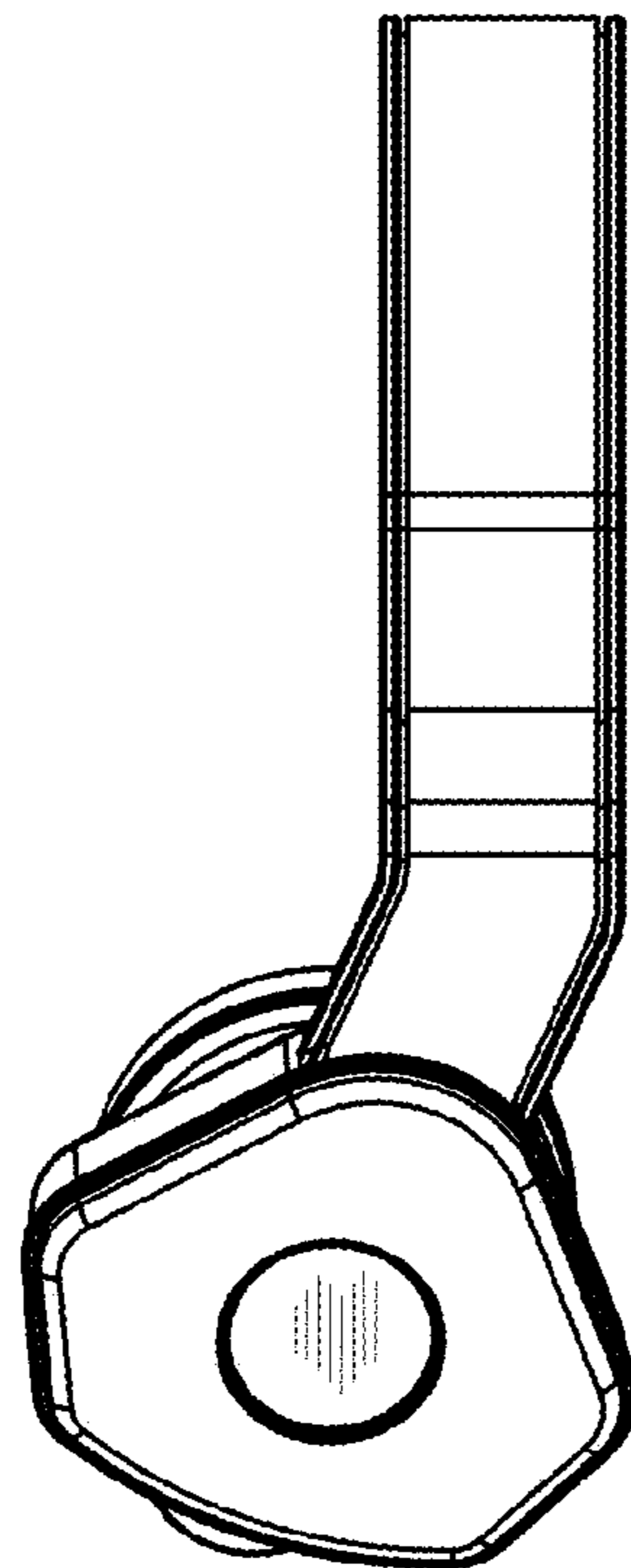


Fig 6



Fig 7