



US00D763819S

(12) **United States Design Patent**  
**Silvera**

(10) **Patent No.:** **US D763,819 S**

(45) **Date of Patent:** **\*\* Aug. 16, 2016**

(54) **PORTABLE MINI BLUETOOTH SPEAKER**

D676,412 S *	2/2013	Holzer	.....	D14/171
D676,420 S *	2/2013	Holzer	.....	D14/212
D682,249 S *	5/2013	Esslinger	.....	D14/172
2013/0177198 A1 *	7/2013	Hogue	.....	H04R 3/12 381/394

(71) Applicant: **Isaac Silvera**, Brooklyn, NY (US)

(72) Inventor: **Isaac Silvera**, Brooklyn, NY (US)

(73) Assignee: **SDI TECHNOLOGIES, INC.**, Rahway, NJ (US)

(\*\*) Term: **14 Years**

(21) Appl. No.: **29/509,066**

(22) Filed: **Nov. 13, 2014**

(51) **LOC (10) Cl.** ..... **14-01**

(52) **U.S. Cl.**  
USPC ..... **D14/204**

(58) **Field of Classification Search**  
USPC ..... D14/167, 168, 170–172, 188, 194, 204,  
D14/207, 209.1, 210–217, 221, 222, 224,  
D14/496; 181/143, 144, 148, 153, 157, 198,  
181/199; 369/6–12; 381/300–303, 306,  
381/332, 333, 336, 345, 361–364, 366,  
381/386–388  
CPC ..... A47B 81/06; H04R 1/02; H04R 1/021;  
H04R 19/013; H04R 2420/07; H05K 5/00  
See application file for complete search history.

(56) **References Cited**

**U.S. PATENT DOCUMENTS**

D242,259 S *	11/1976	Babb	.....	D14/214
D466,887 S *	12/2002	Lewis	.....	D14/216
D487,737 S *	3/2004	Lewis	.....	D14/215
D654,020 S *	2/2012	Au	.....	D13/108
D671,095 S *	11/2012	Ching	.....	D14/204

\* cited by examiner

*Primary Examiner* — Derrick Holland

*Assistant Examiner* — Janice Lim

(74) *Attorney, Agent, or Firm* — Ostrolenk Faber LLP

(57) **CLAIM**

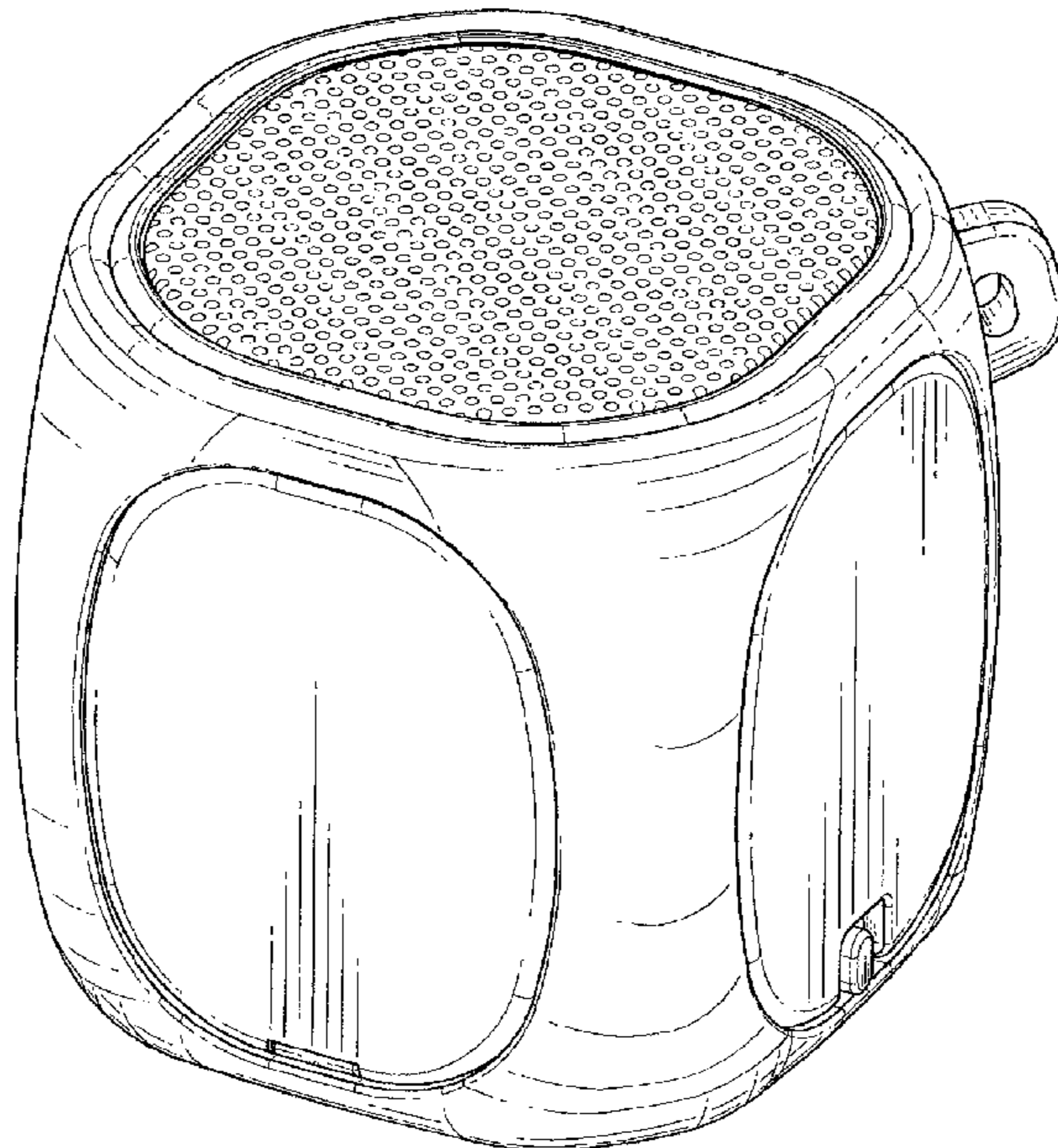
The ornamental design for a portable mini bluetooth speaker, as shown and described.

**DESCRIPTION**

FIG. 1 is a top, front, right side, perspective view of a portable mini bluetooth speaker showing my new design;  
FIG. 2 is a front view thereof;  
FIG. 3 is a rear view thereof;  
FIG. 4 is a top plan view thereof;  
FIG. 5 is a bottom plan view thereof;  
FIG. 6 is a left side view thereof;  
FIG. 7 is a right side view thereof;  
FIG. 8 is a cross-sectional view thereof along line 8-8 in FIG. 7;  
FIG. 9 is a cross-sectional view thereof along line 9-9 in FIG. 7;  
FIG. 10 is a cross-sectional view thereof along line 10-10 in FIG. 4; and,  
FIG. 11 is a cross-sectional view thereof along line 11-11 in FIG. 2.

The broken line portions are included to show unclaimed subject matter only and form no part of the claimed design.

**1 Claim, 11 Drawing Sheets**



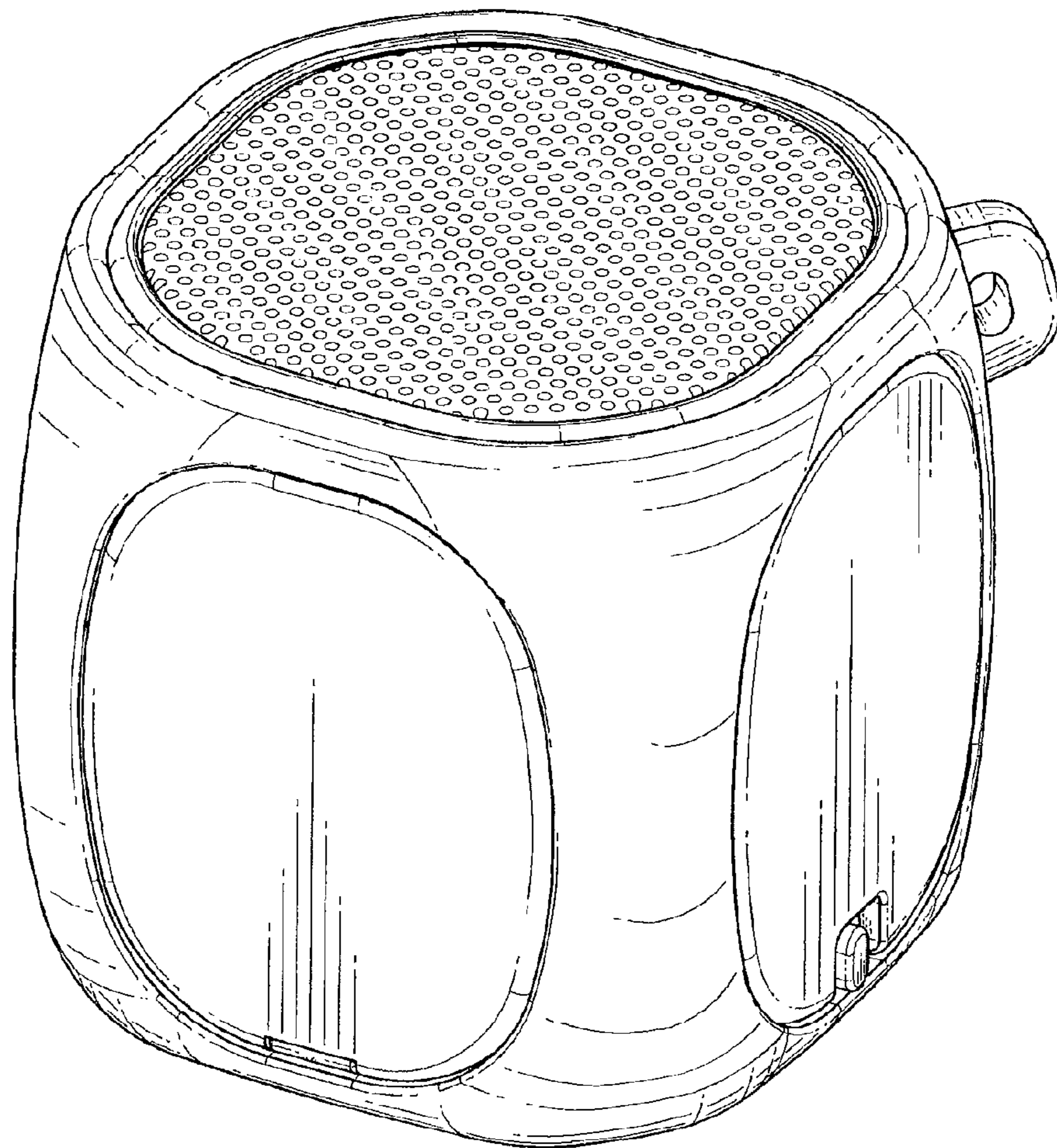


FIG. 1

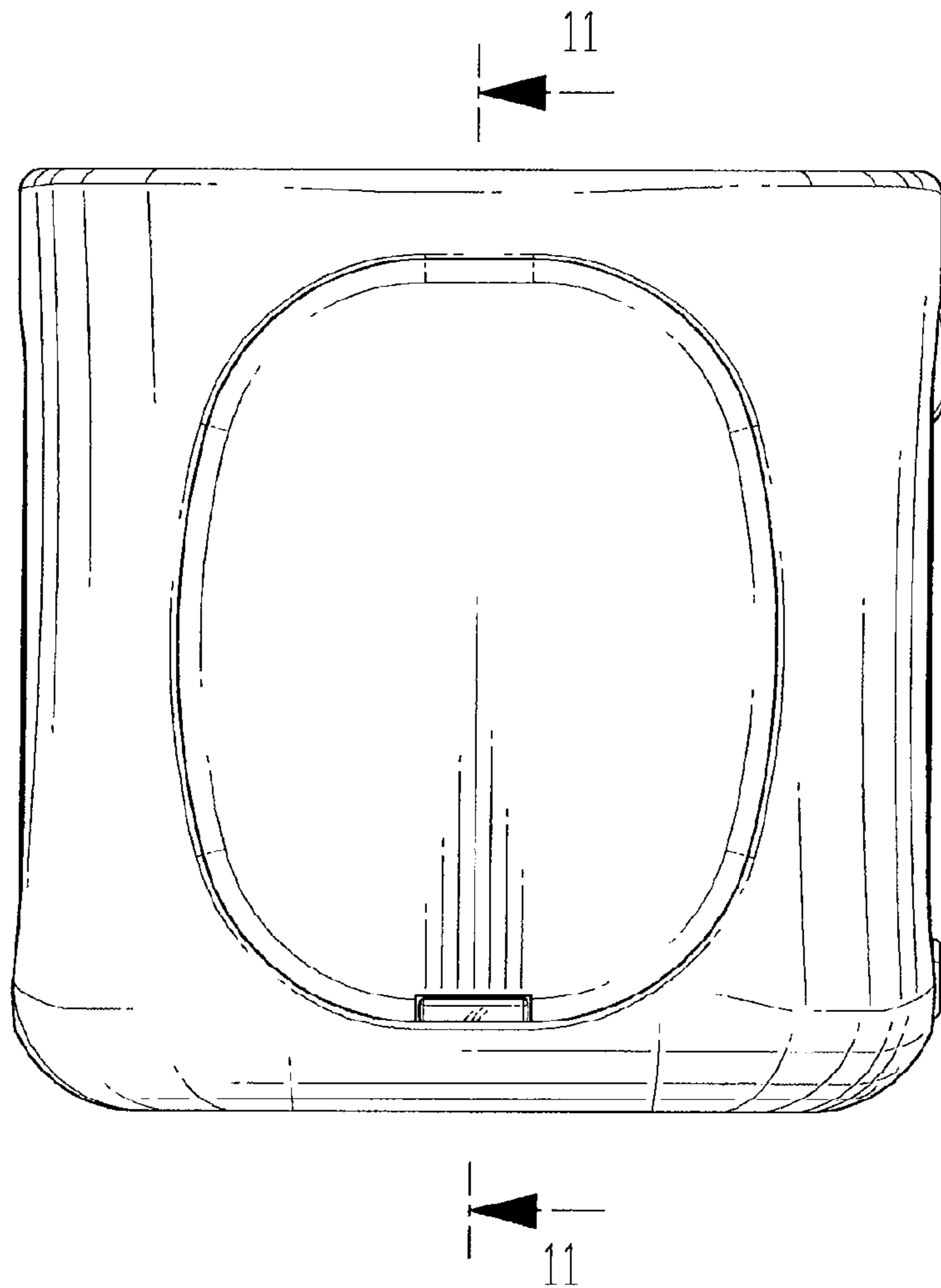


FIG. 2

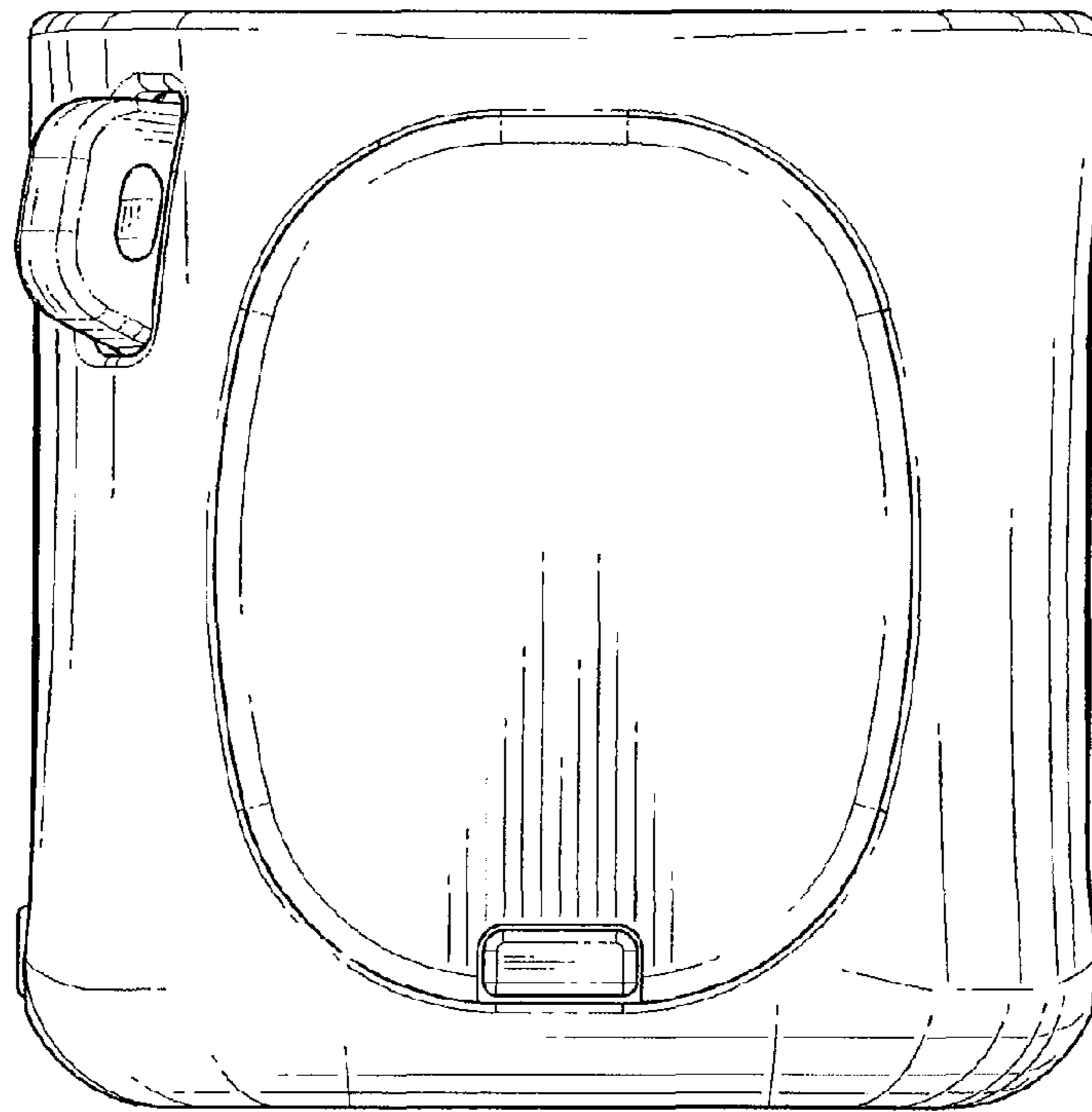


FIG. 3

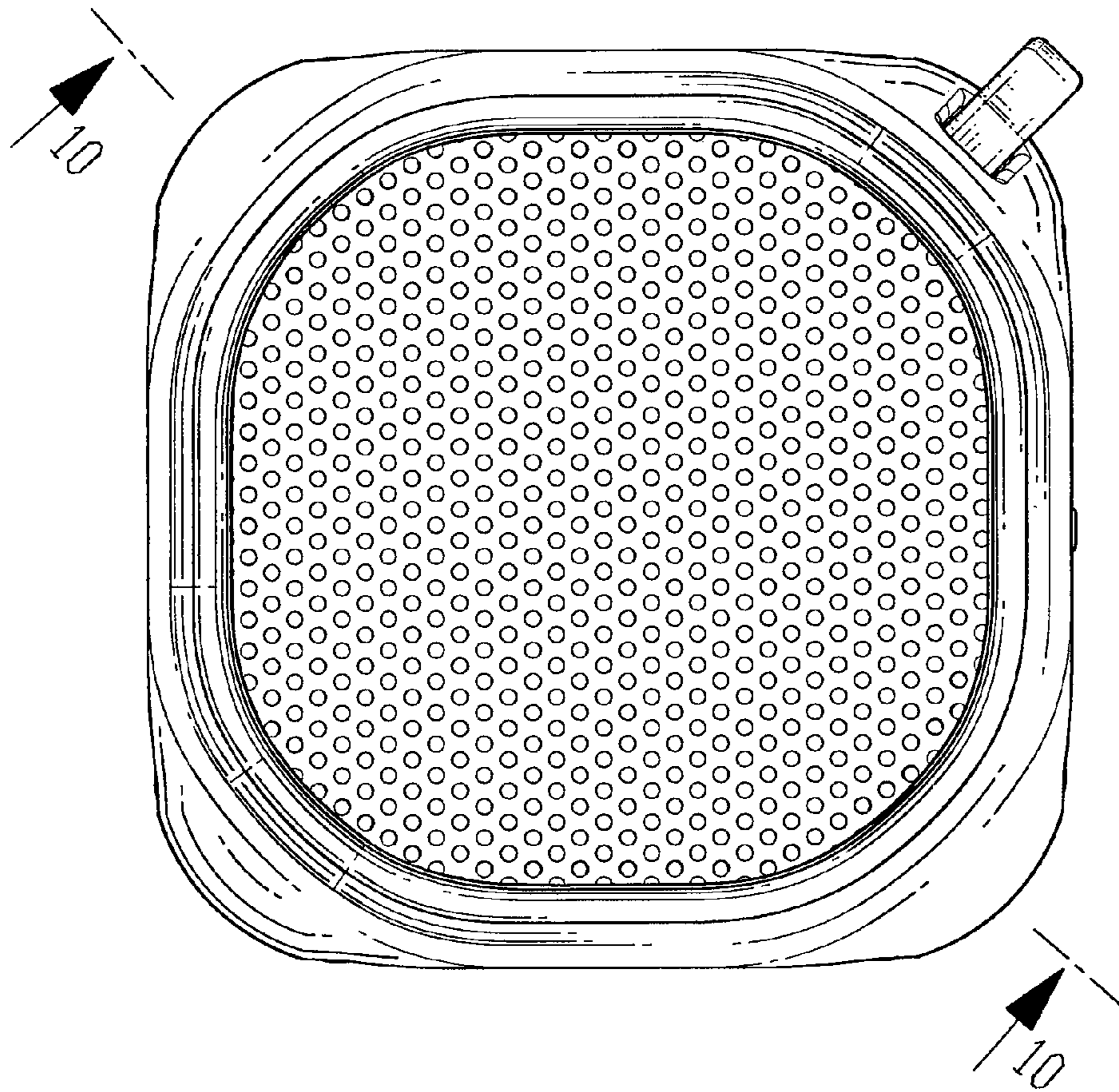


FIG. 4

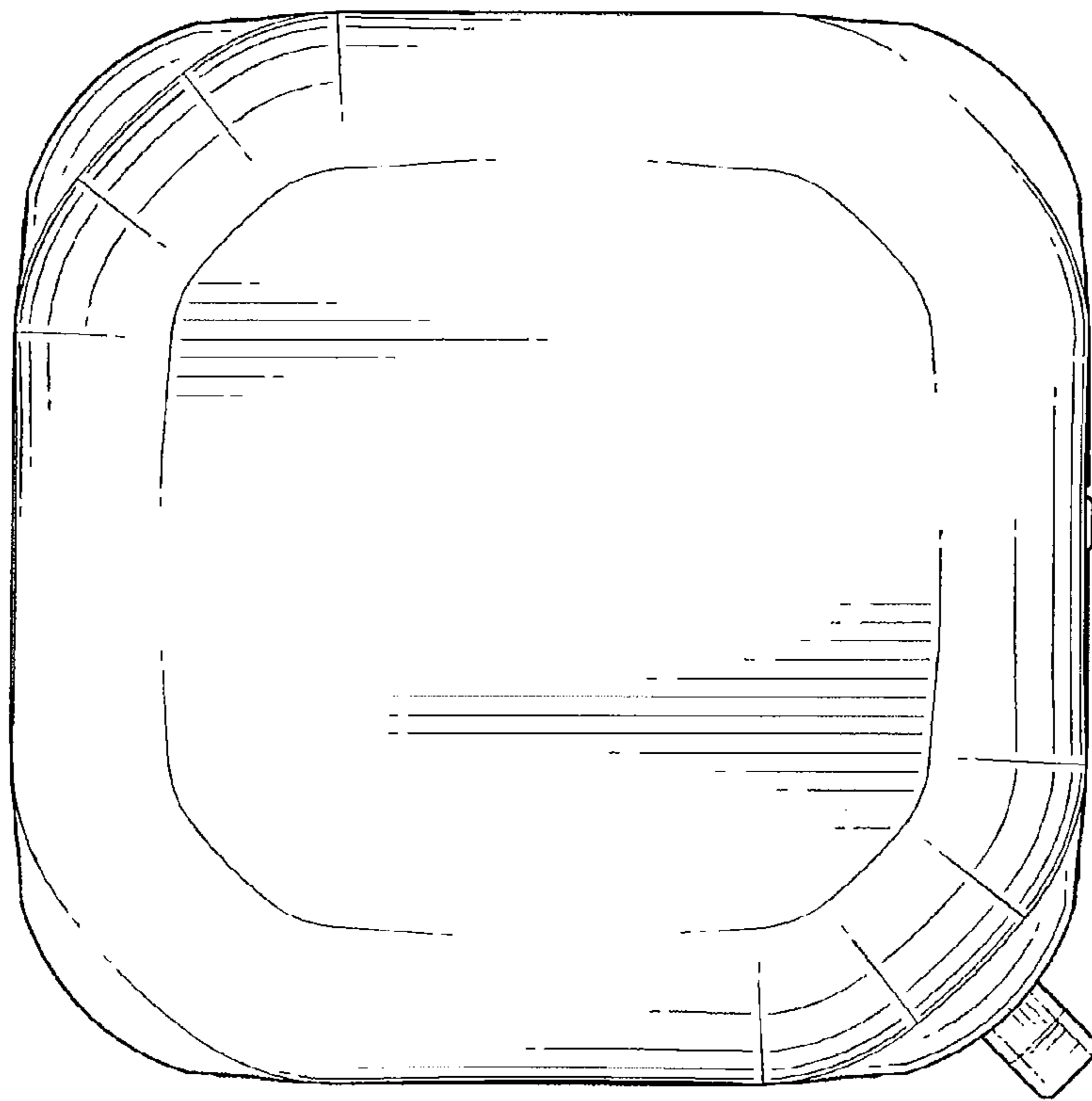


FIG. 5

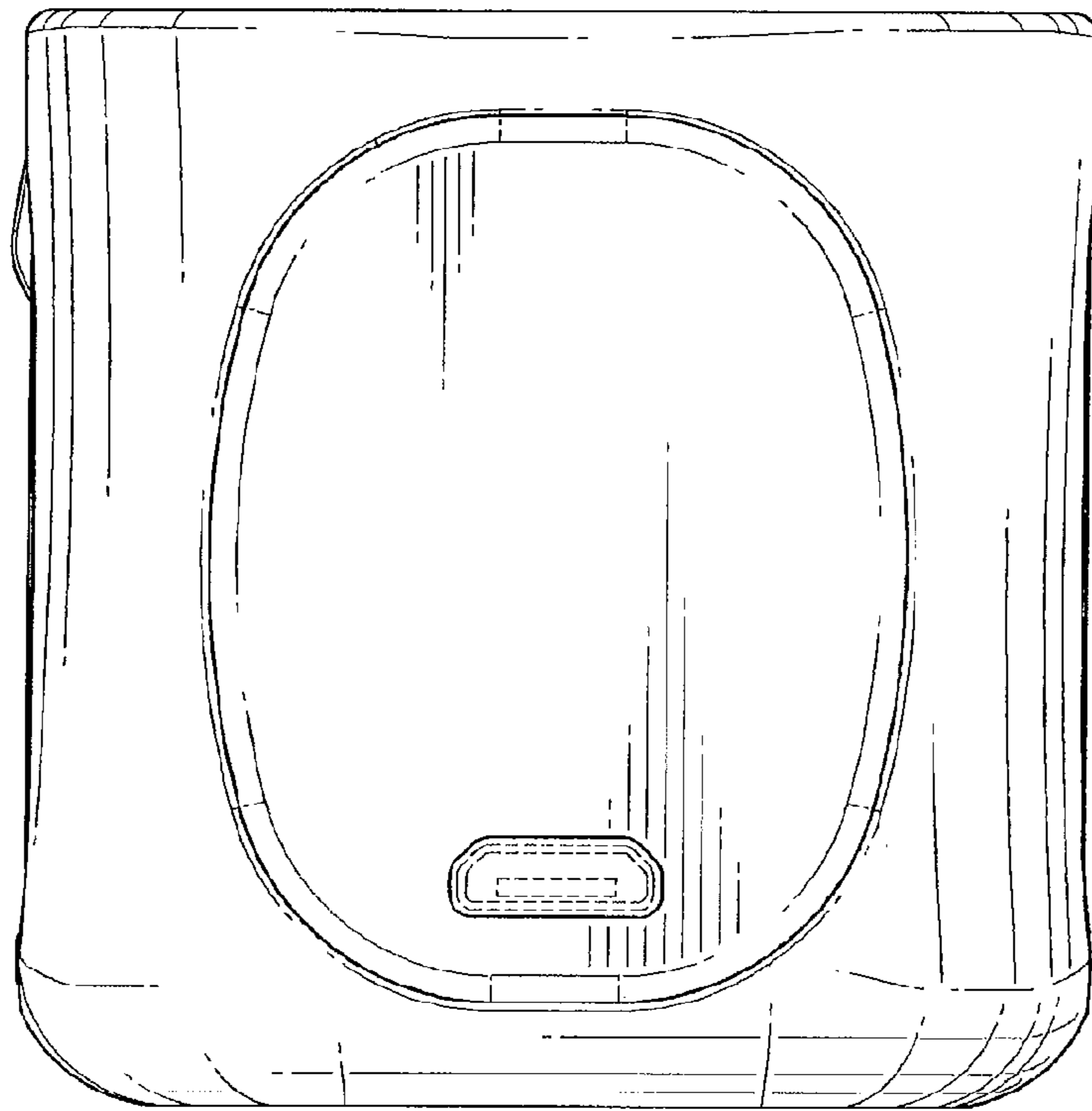


FIG. 6

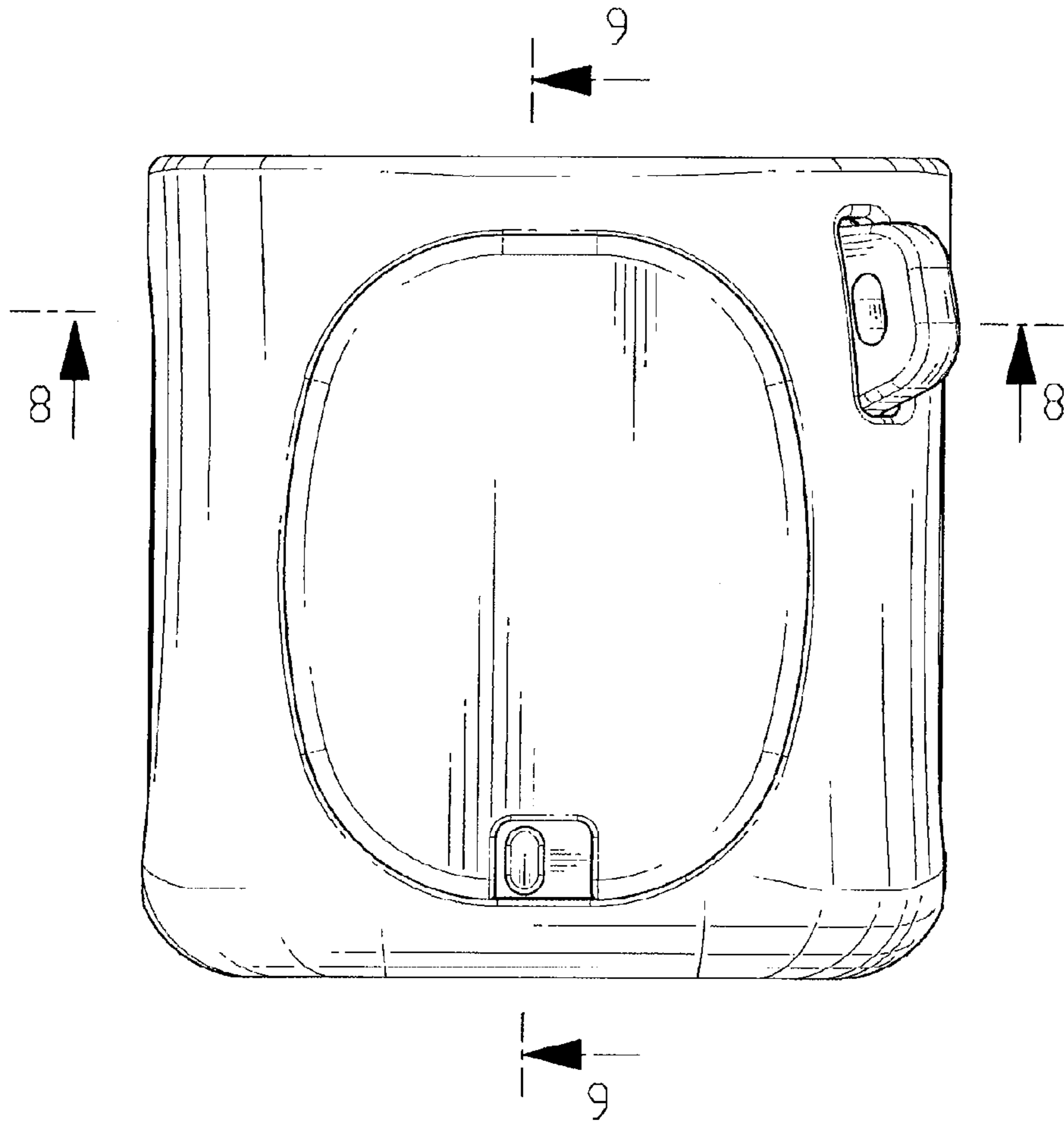


FIG. 7



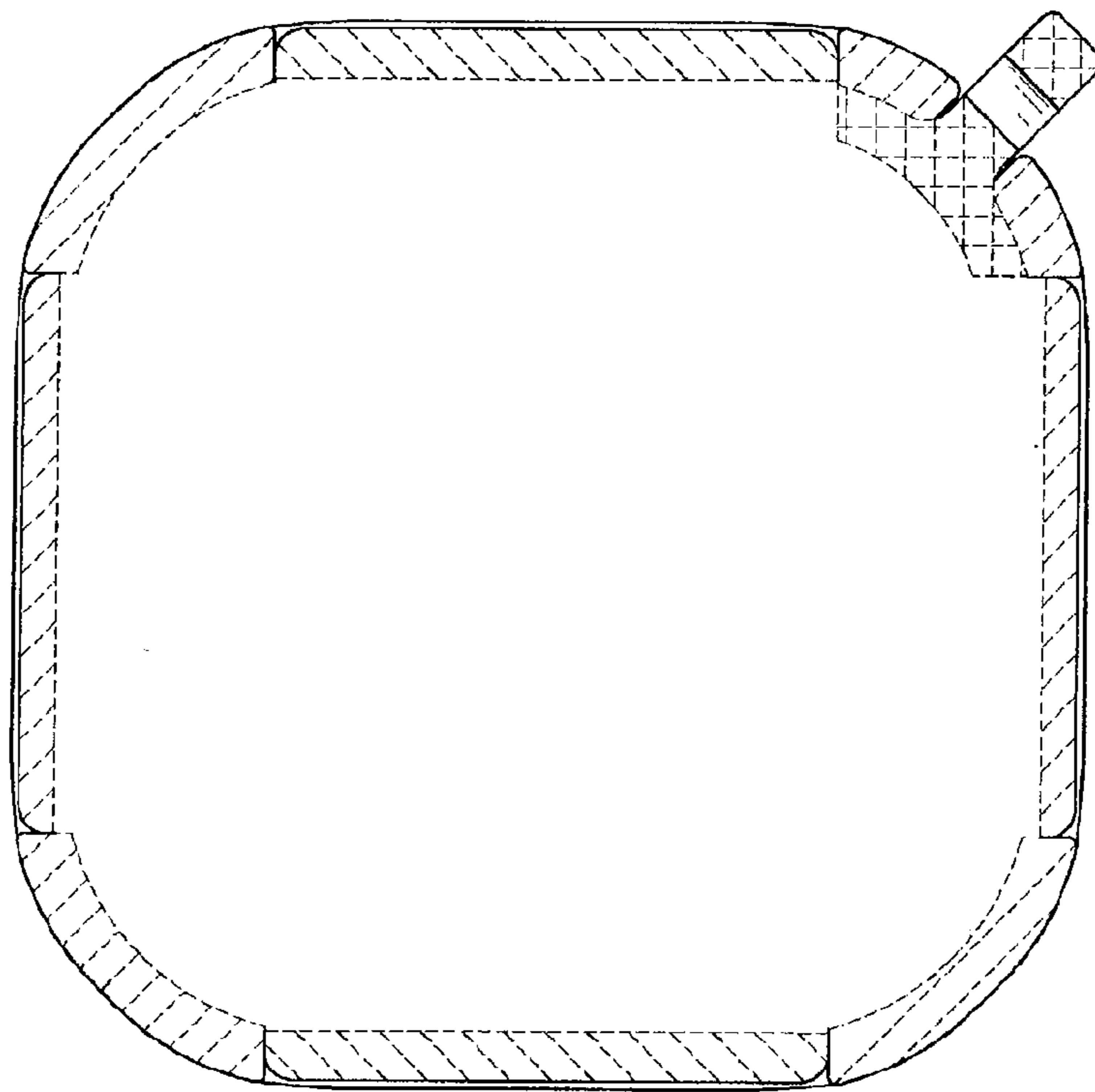


FIG. 8

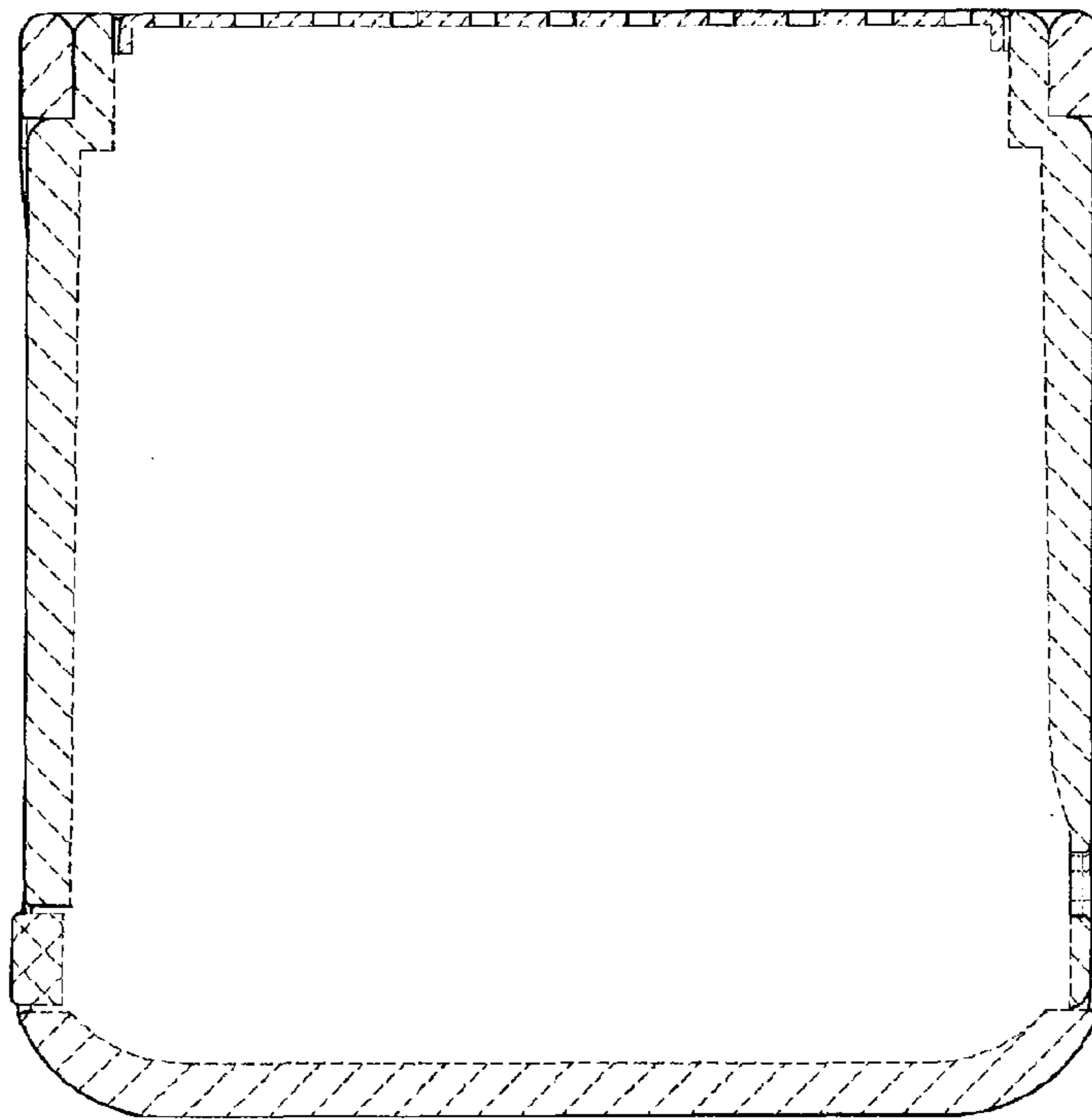


FIG. 9

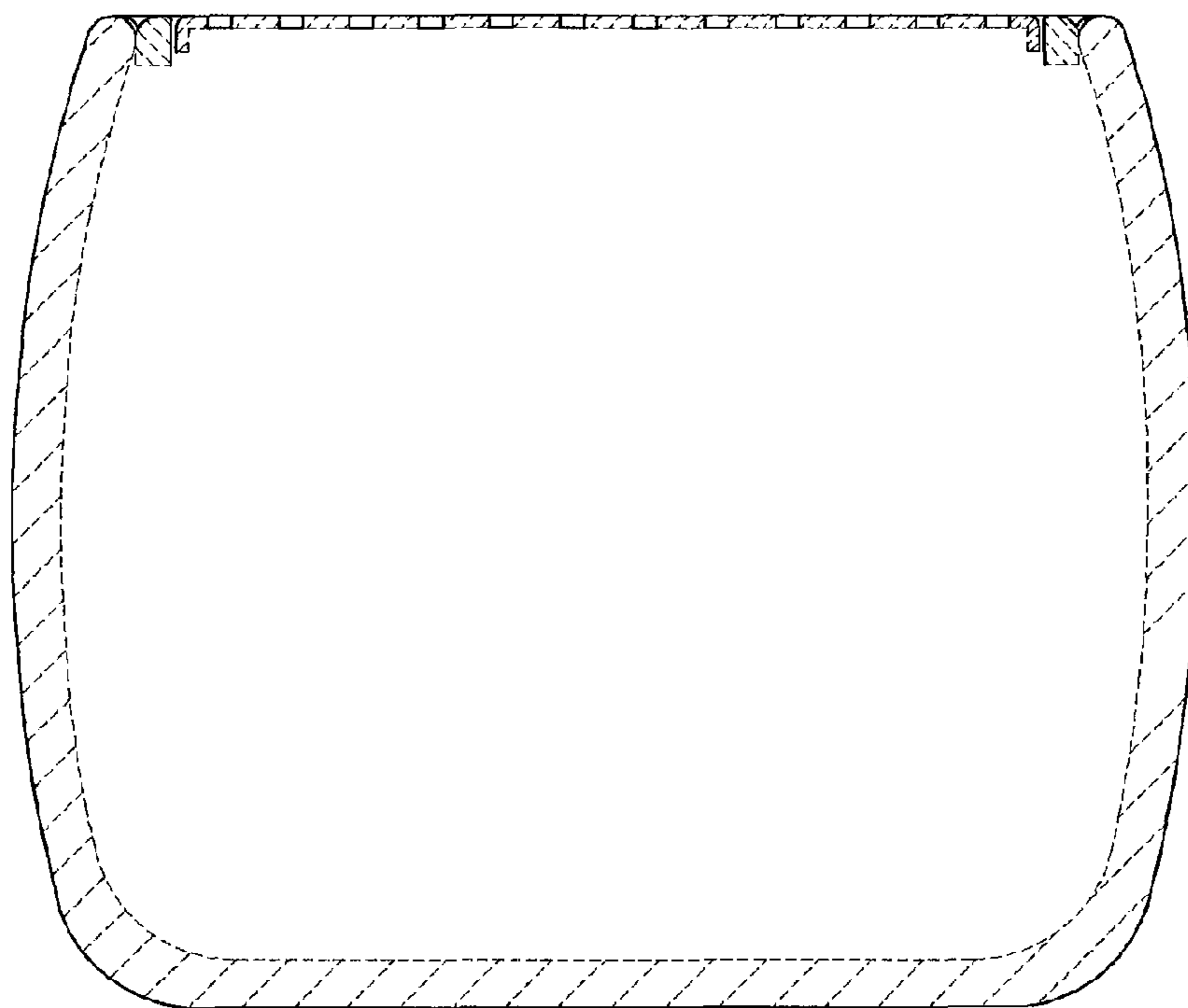


FIG. 10

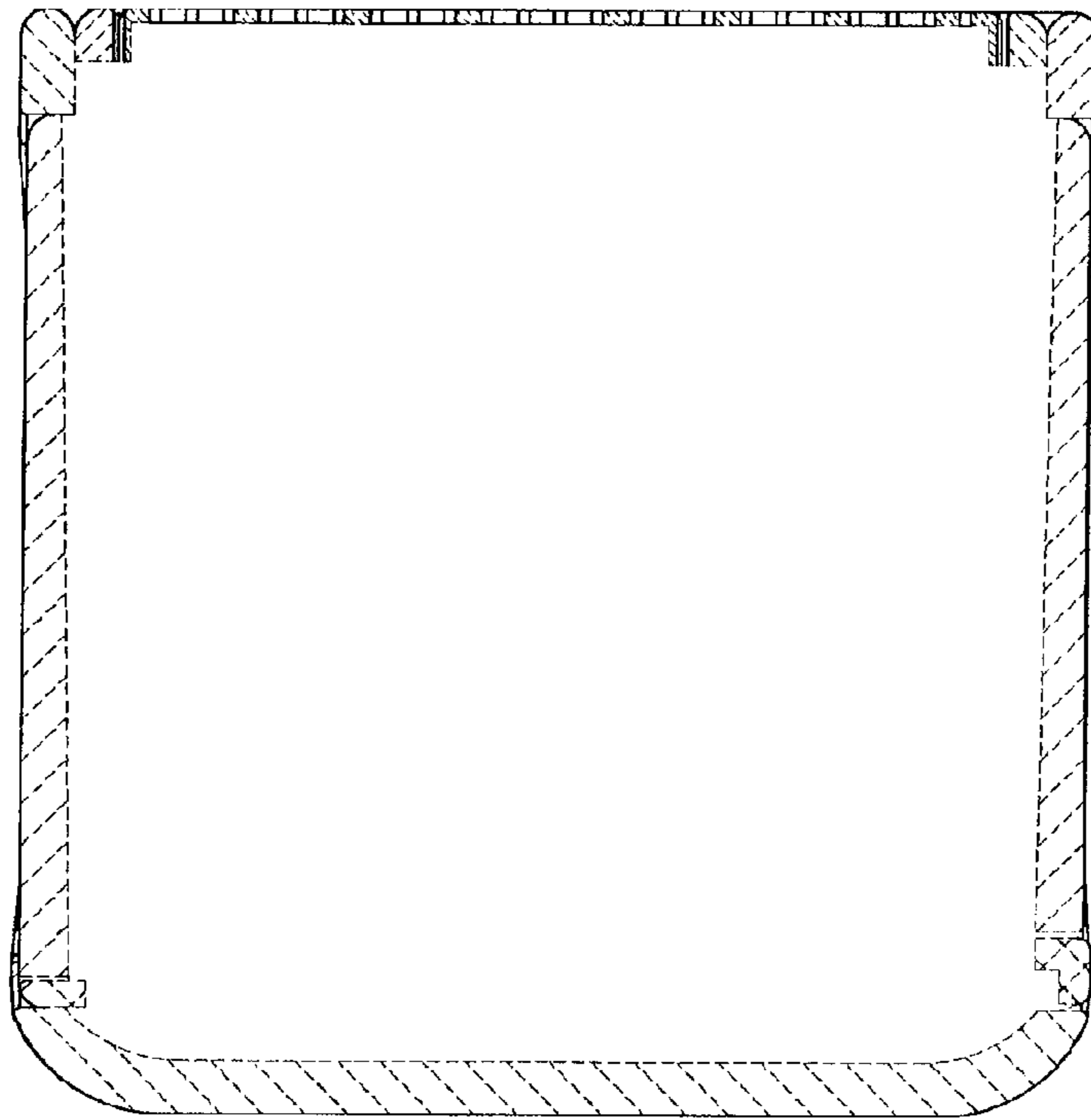


FIG. 11