



US00D763818S

(12) **United States Design Patent**
Yang

(10) **Patent No.:** **US D763,818 S**

(45) **Date of Patent:** **** Aug. 16, 2016**

(54) **SOUND BOX**

(71) Applicant: **Anker Technology Co., Limited,**
Kowloon (HK)

(72) Inventor: **Meng Yang,** Changsha (CN)

(73) Assignee: **ANKER TECHNOLOGY CO., LIMITED,** Mongkok, Kowloon (HK)

(**) Term: **14 Years**

(21) Appl. No.: **29/507,749**

(22) Filed: **Oct. 30, 2014**

(51) **LOC (10) Cl.** **14-01**

(52) **U.S. Cl.**
USPC **D14/204**

(58) **Field of Classification Search**
USPC D14/167, 168, 170–172, 188, 194, 204,
D14/207, 209.1, 210–217, 221, 222, 224,
D14/496; 181/143, 144, 148, 153, 157, 198,
181/199; 369/6–12; 381/300–303, 306,
381/332, 333, 336, 345, 361–364, 366,
381/386–388

CPC A47B 81/06; H04R 1/02; H04R 1/021;
H04R 19/013; H04R 2420/07; H05K 5/00
See application file for complete search history.

(56) **References Cited**

U.S. PATENT DOCUMENTS

D490,397 S * 5/2004 Hasegawa D14/168
D542,265 S * 5/2007 Hussaini D14/170
D620,485 S * 7/2010 Corrigan D14/240

D629,827 S * 12/2010 Morenstein D16/221
D657,343 S * 4/2012 Cho D14/188
D670,266 S * 11/2012 Swendseid D14/204
D690,280 S * 9/2013 Schul D14/168
2009/0110228 A1 * 4/2009 Chien H04R 19/013
381/386

OTHER PUBLICATIONS

Satechi Audio Cube Speaker, announced Dec. 2012, [online], site visited Feb. 4, 2016. Available from Internet, <URL: <http://www.androidspin.com>>.*

* cited by examiner

Primary Examiner — Derrick Holland

Assistant Examiner — Janice Lim

(74) *Attorney, Agent, or Firm* — Ladas & Parry LLP

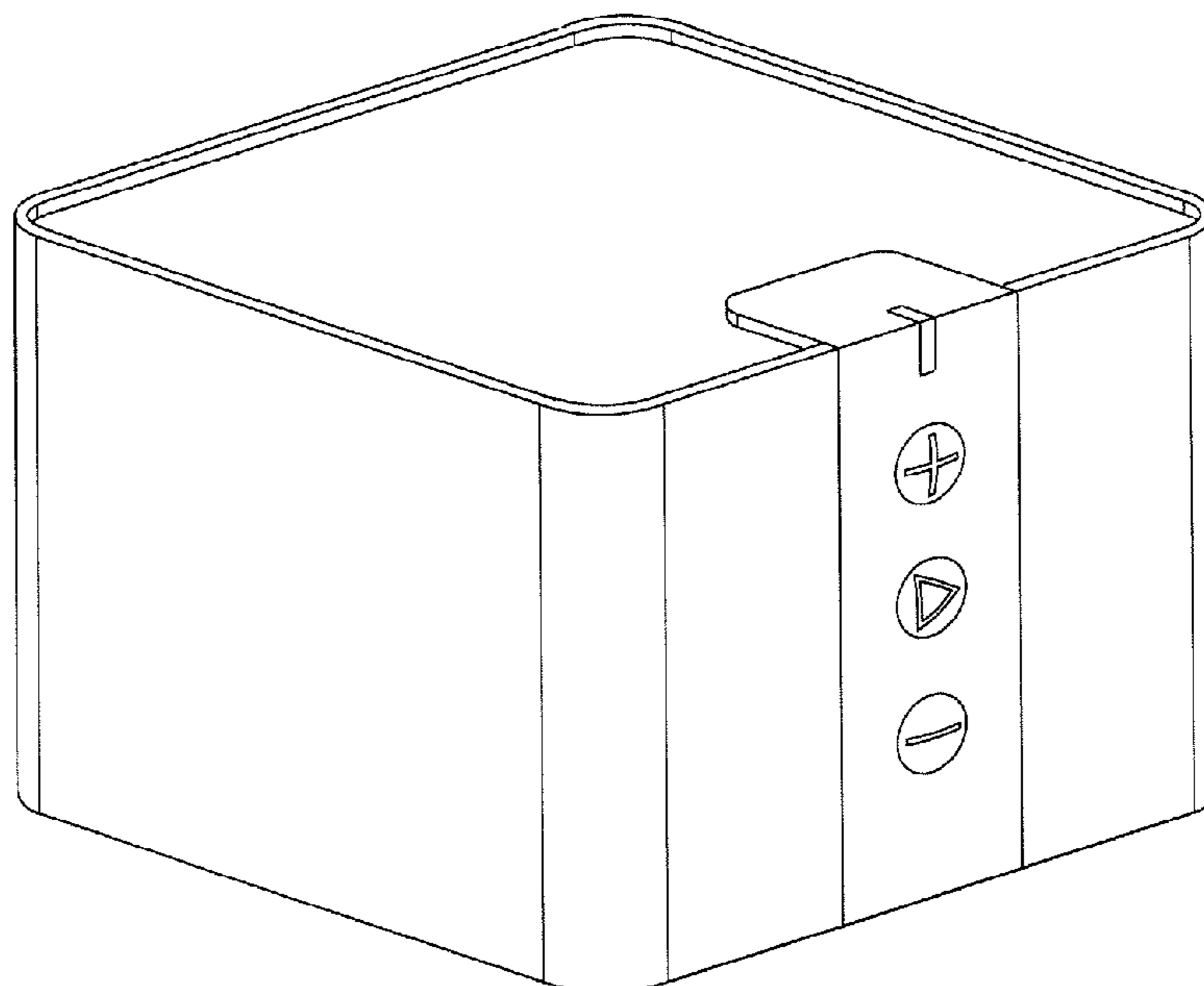
(57) **CLAIM**

The ornamental design for a sound box, as shown and described.

DESCRIPTION

FIG. 1 is a perspective view of a sound box showing my new design;
FIG. 2 is a front elevational view thereof;
FIG. 3 is a top plan view thereof;
FIG. 4 is a bottom plan view thereof;
FIG. 5 is a left-side elevational view thereof;
FIG. 6 is a right-side elevational view thereof; and,
FIG. 7 is a rear elevational view thereof.
The sound box of the present design may find use for example as travel speakers or portable loudspeakers. The broken line portions of FIG. 4 are included to show unclaimed subject matter only and form no part of the claimed design.

1 Claim, 7 Drawing Sheets



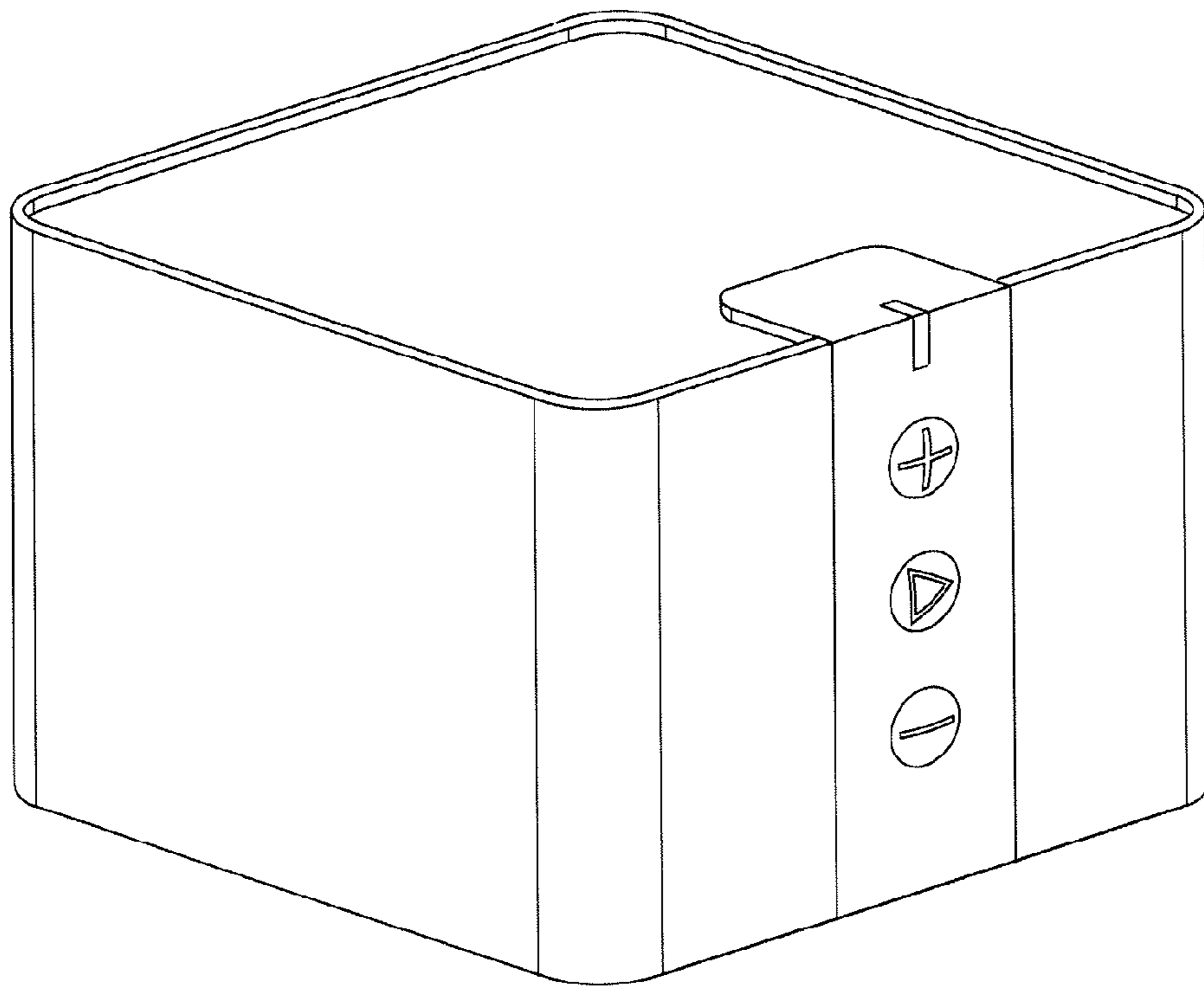


FIG. 1

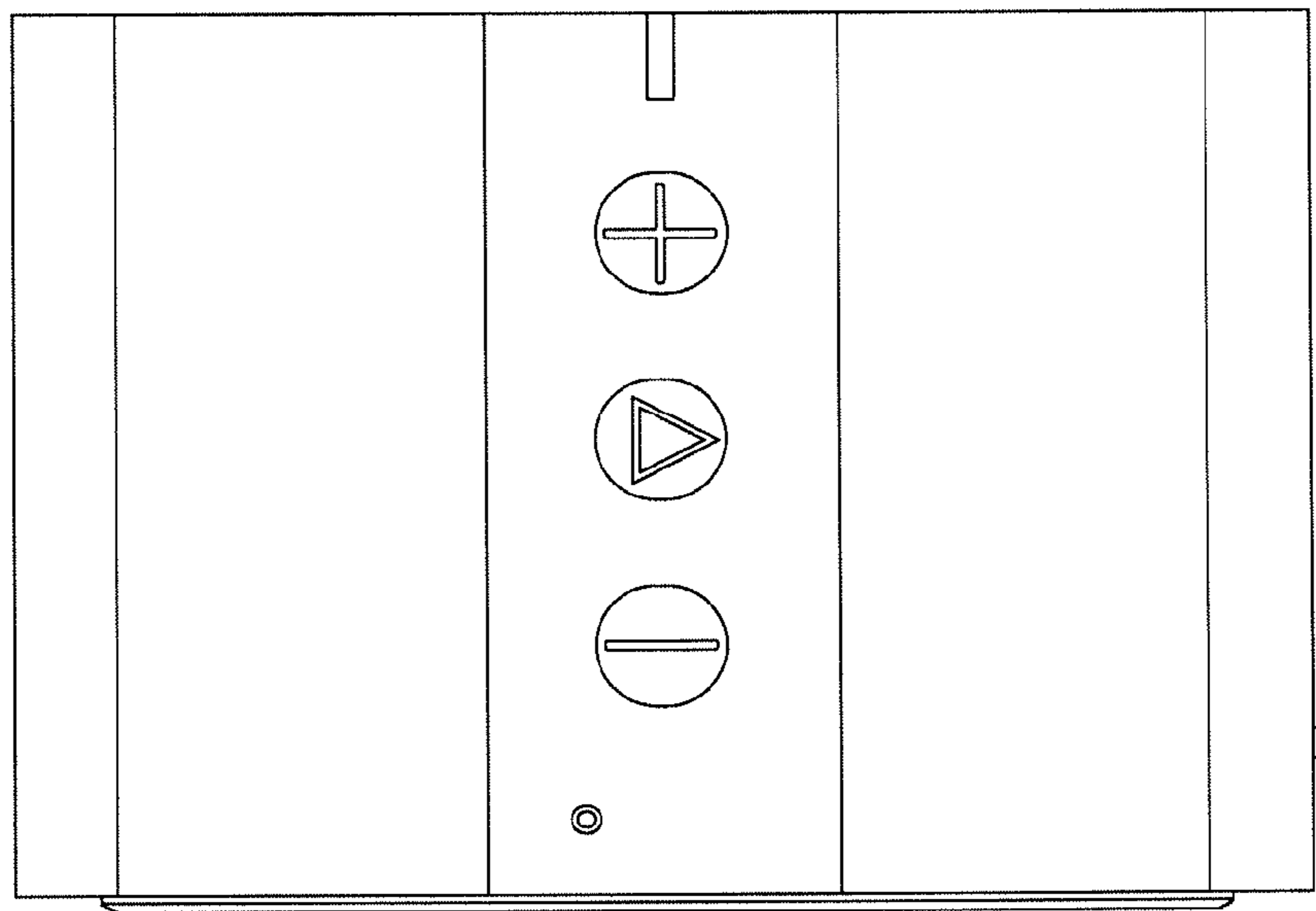


FIG. 2

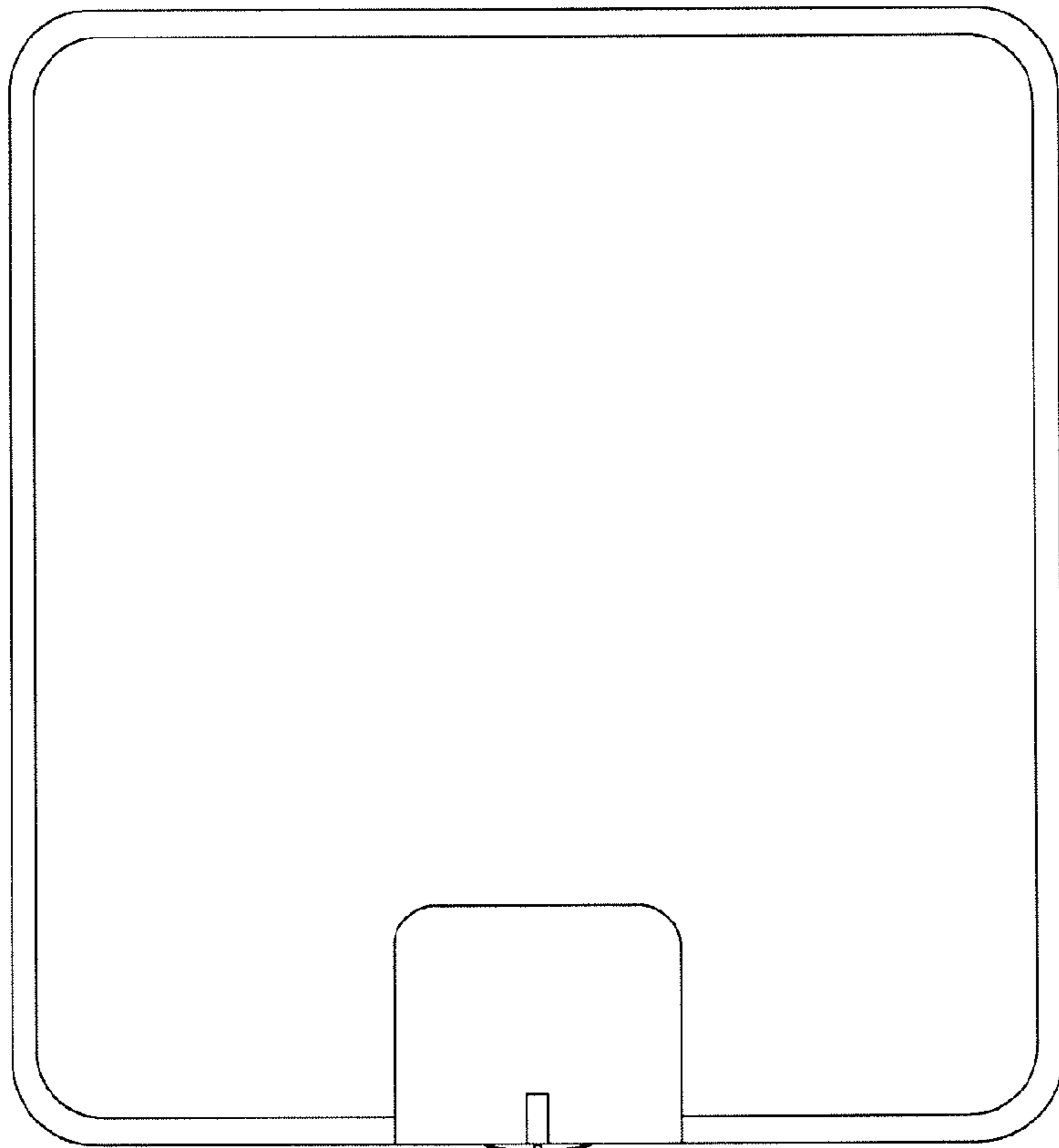


FIG. 3

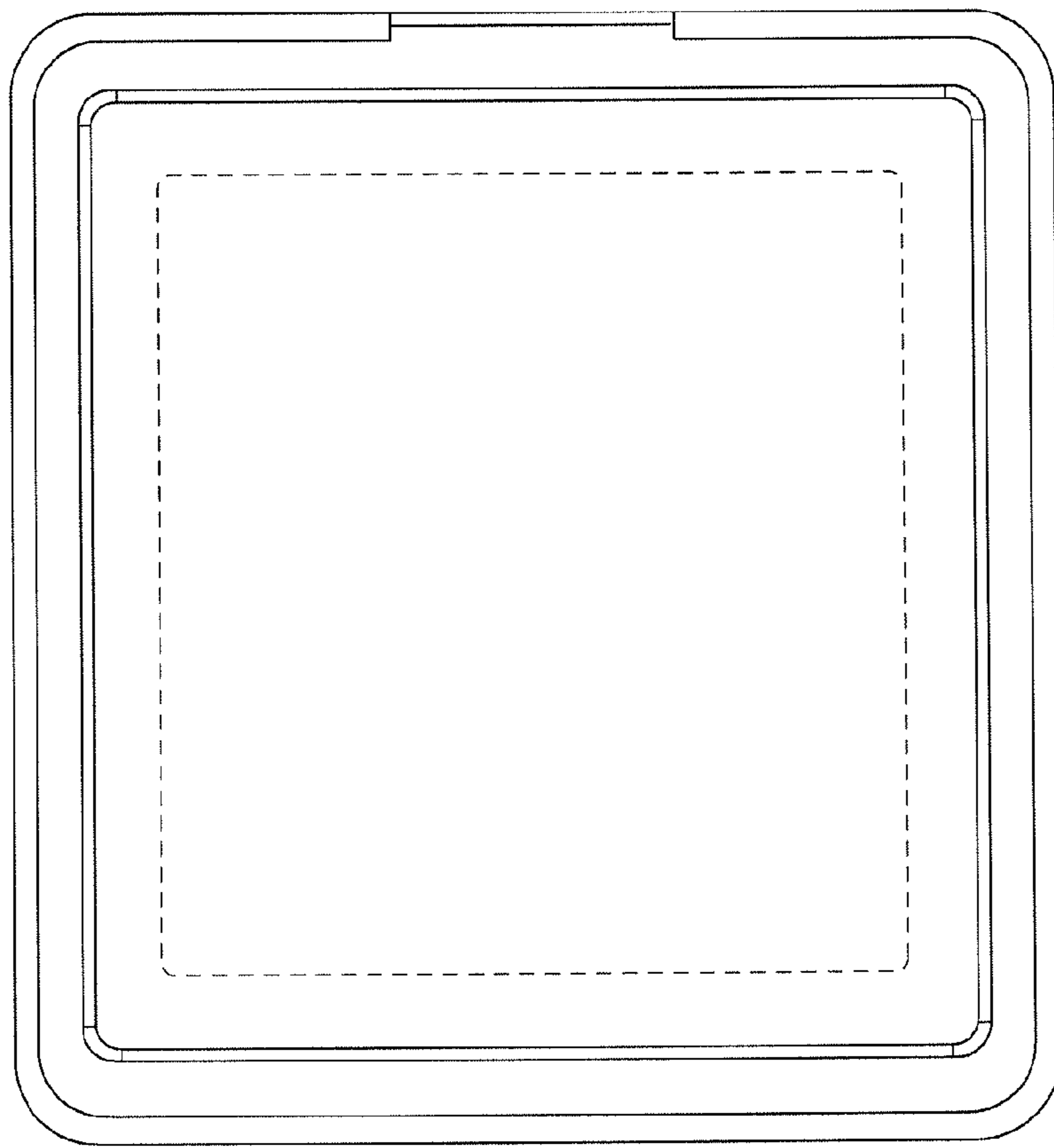


FIG. 4

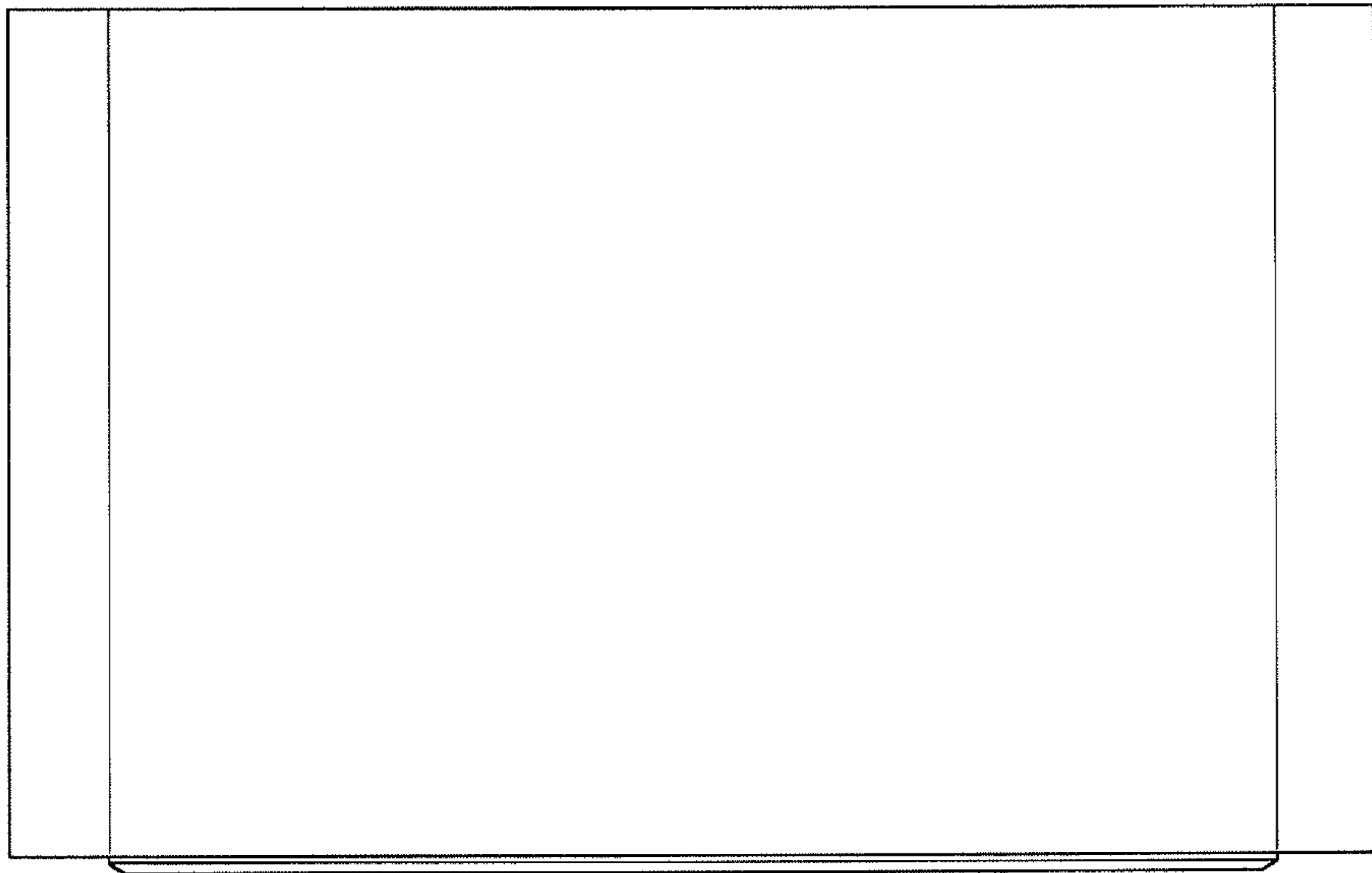


FIG. 5

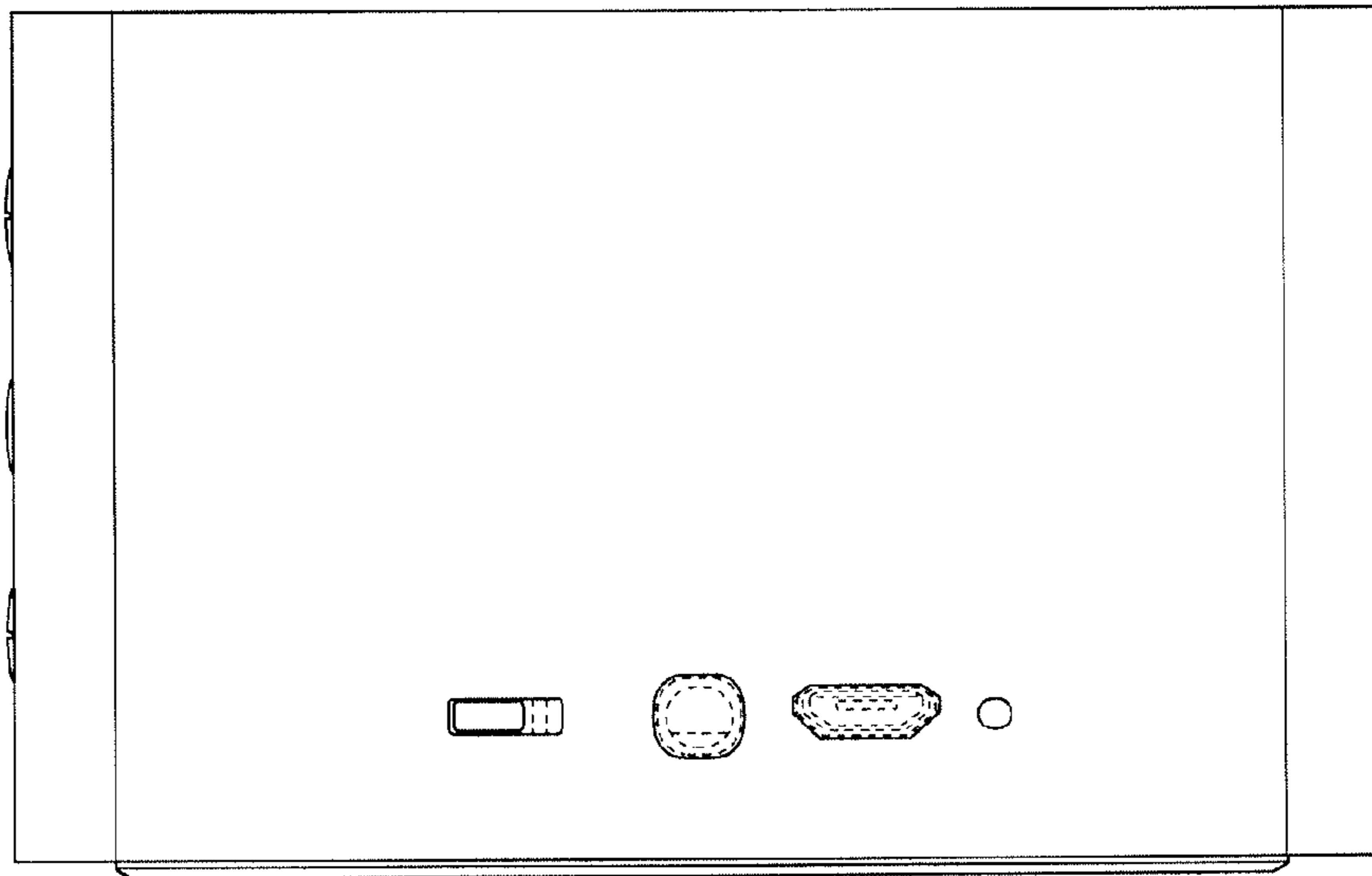


FIG. 6

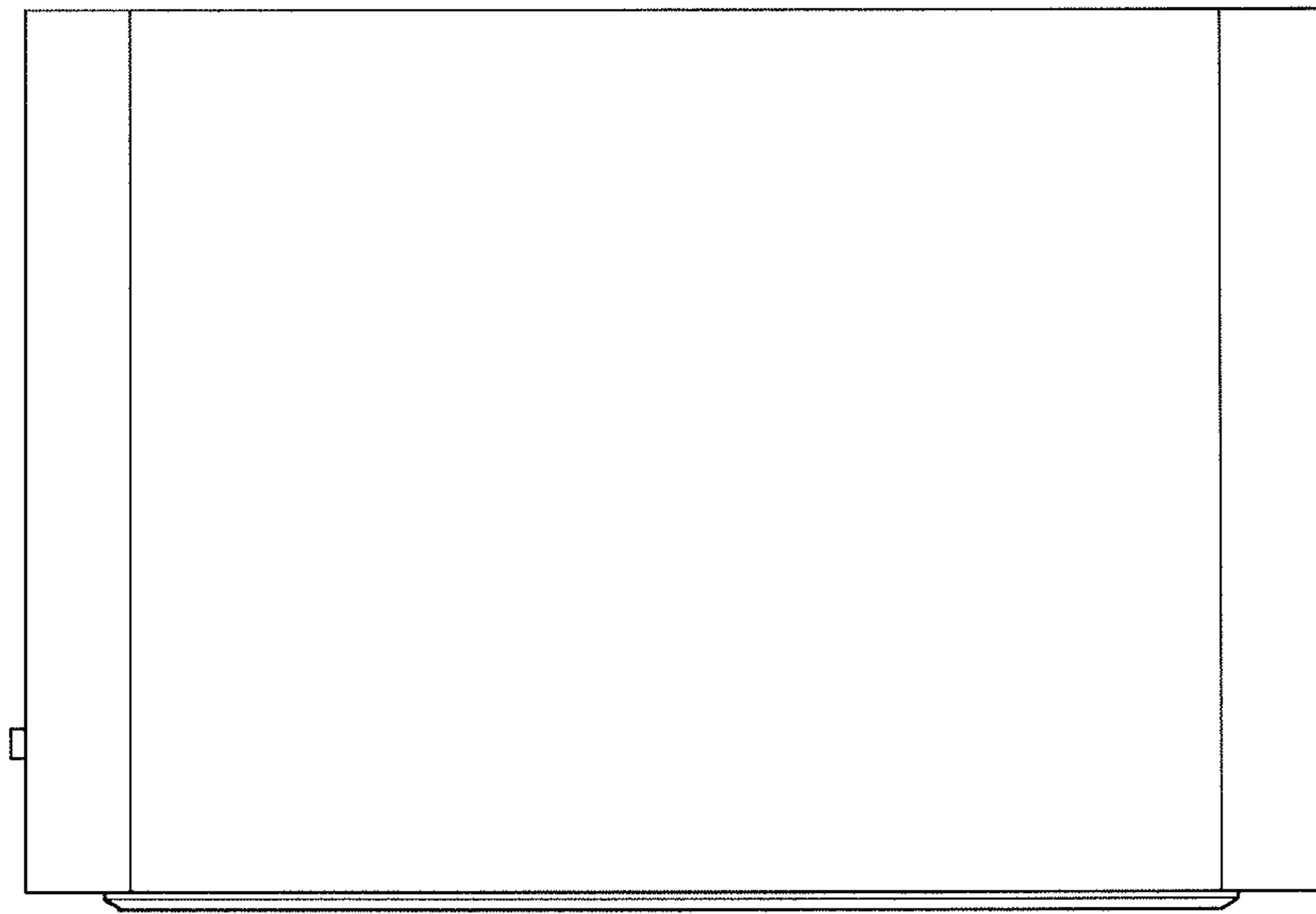


FIG. 7

UNITED STATES PATENT AND TRADEMARK OFFICE
CERTIFICATE OF CORRECTION

PATENT NO. : D763,818 S
APPLICATION NO. : 29/507749
DATED : August 16, 2016
INVENTOR(S) : Meng Yang

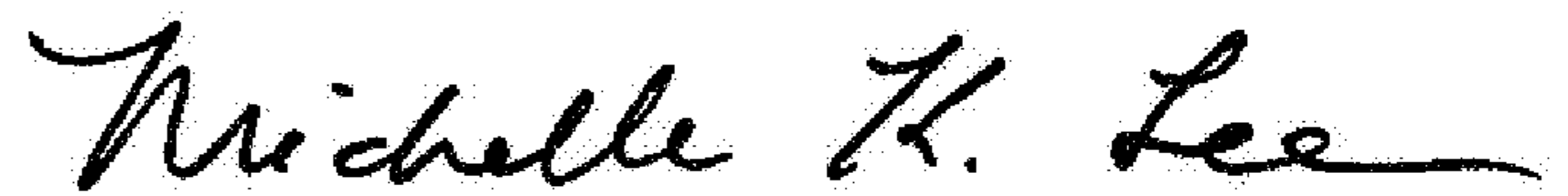
Page 1 of 1

It is certified that error appears in the above-identified patent and that said Letters Patent is hereby corrected as shown below:

On the Title page

Foreign Application Priority Data: Please insert --EU 002455683-0001 4/30/2014--.

Signed and Sealed this
Sixth Day of June, 2017



Michelle K. Lee
Director of the United States Patent and Trademark Office