



US00D763811S

(12) **United States Design Patent**  
**Park et al.**

(10) **Patent No.:** **US D763,811 S**

(45) **Date of Patent:** **\*\* Aug. 16, 2016**

(54) **ELECTRONIC DEVICE**

(71) Applicant: **OpenTV, Inc.**, San Francisco, CA (US)

(72) Inventors: **Joonyoung Park**, Mountain View, CA (US); **Jihyun Park**, Sunnyvale, CA (US)

(73) Assignee: **OpenTV, Inc.**, San Francisco, CA (US)

(\*\*) Term: **15 Years**

(21) Appl. No.: **29/533,020**

(22) Filed: **Jul. 13, 2015**

(51) **LOC (10) Cl.** ..... **14-03**

(52) **U.S. Cl.**  
USPC ..... **D14/125**

(58) **Field of Classification Search**  
USPC ..... D14/125, 357-358, 496, 188, 242, 432;  
D13/184; 348/10, 460, 706, 731;  
340/825.03; 455/6.1, 6.2; 312/223.1,  
312/7.2  
CPC ..... H04N 21/00; H04N 21/20; H04N 21/40  
See application file for complete search history.

(56) **References Cited**

**U.S. PATENT DOCUMENTS**

D382,255 S \* 8/1997 Moffatt ..... D13/147  
D407,085 S \* 3/1999 Lytel ..... D14/125  
D515,554 S \* 2/2006 Kwon ..... D14/188

D615,962 S \* 5/2010 Lee ..... D14/188  
D638,425 S \* 5/2011 Ikeda ..... D14/240  
D640,692 S \* 6/2011 Waisman-Diamond ..... D14/240  
D641,343 S \* 7/2011 Kim ..... D14/240  
D707,666 S \* 6/2014 Ting ..... D14/240  
D725,639 S \* 3/2015 Kim ..... D14/239

\* cited by examiner

*Primary Examiner* — Randall Gholson

(74) *Attorney, Agent, or Firm* — Schwegman Lundberg & Woesnner, P.A.

(57) **CLAIM**

The ornamental design for an electronic device, as shown and described.

**DESCRIPTION**

FIG. 1 is a top-front-left perspective view of an electronic device, showing our new design.

FIG. 2 is a bottom-rear-right perspective view of the electronic device.

FIG. 3 is a front elevation view of the electronic device.

FIG. 4 is a rear elevation view of the electronic device.

FIG. 5 is a left side elevation view of the electronic device.

FIG. 6 is a right side elevation view of the electronic device.

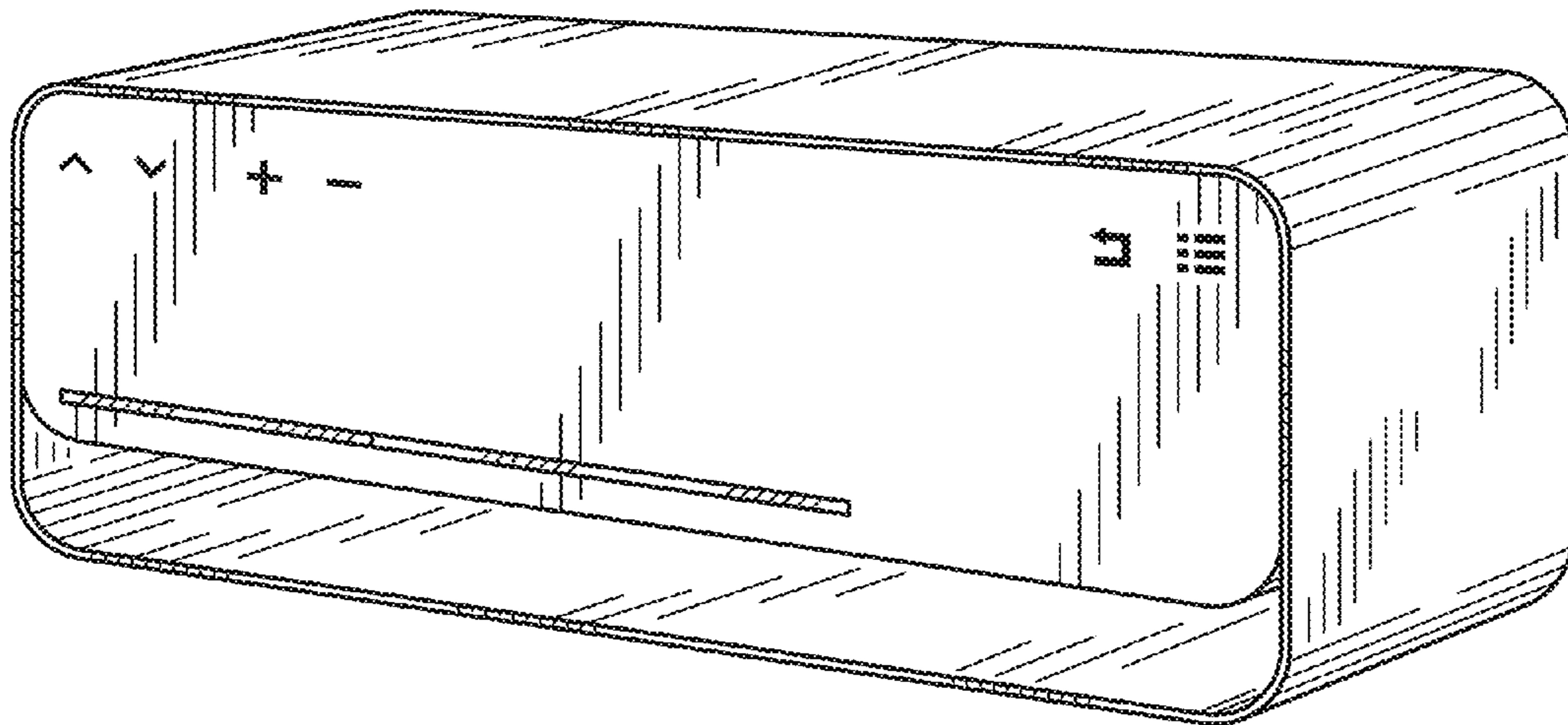
FIG. 7 is a top plan view of the electronic device; and,

FIG. 8 is a bottom plan view of the electronic device.

The shade lines show contour and not surface ornamentation.

The broken lines depict portions of the electronic device and form no part of the claimed design.

**1 Claim, 8 Drawing Sheets**



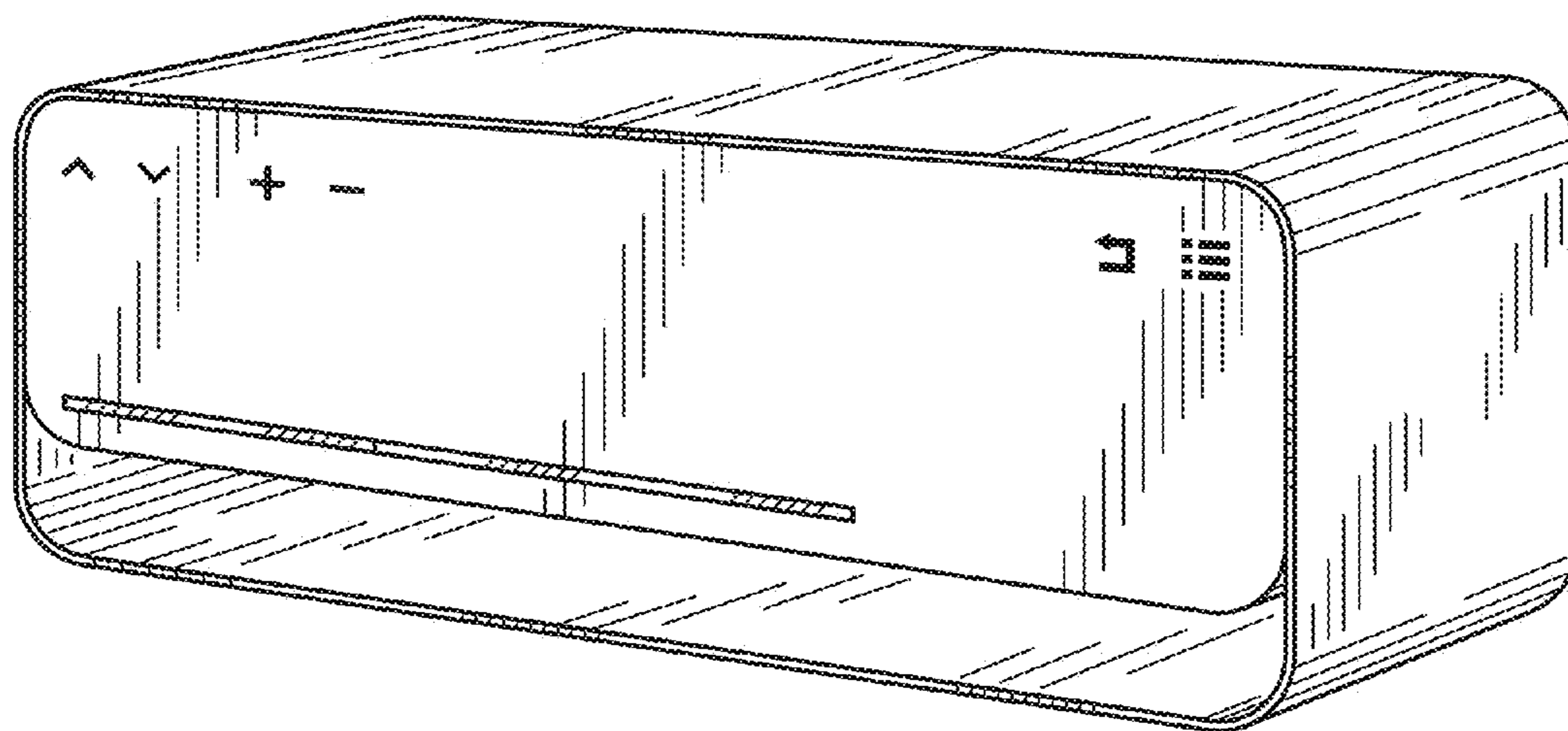


FIG. 1

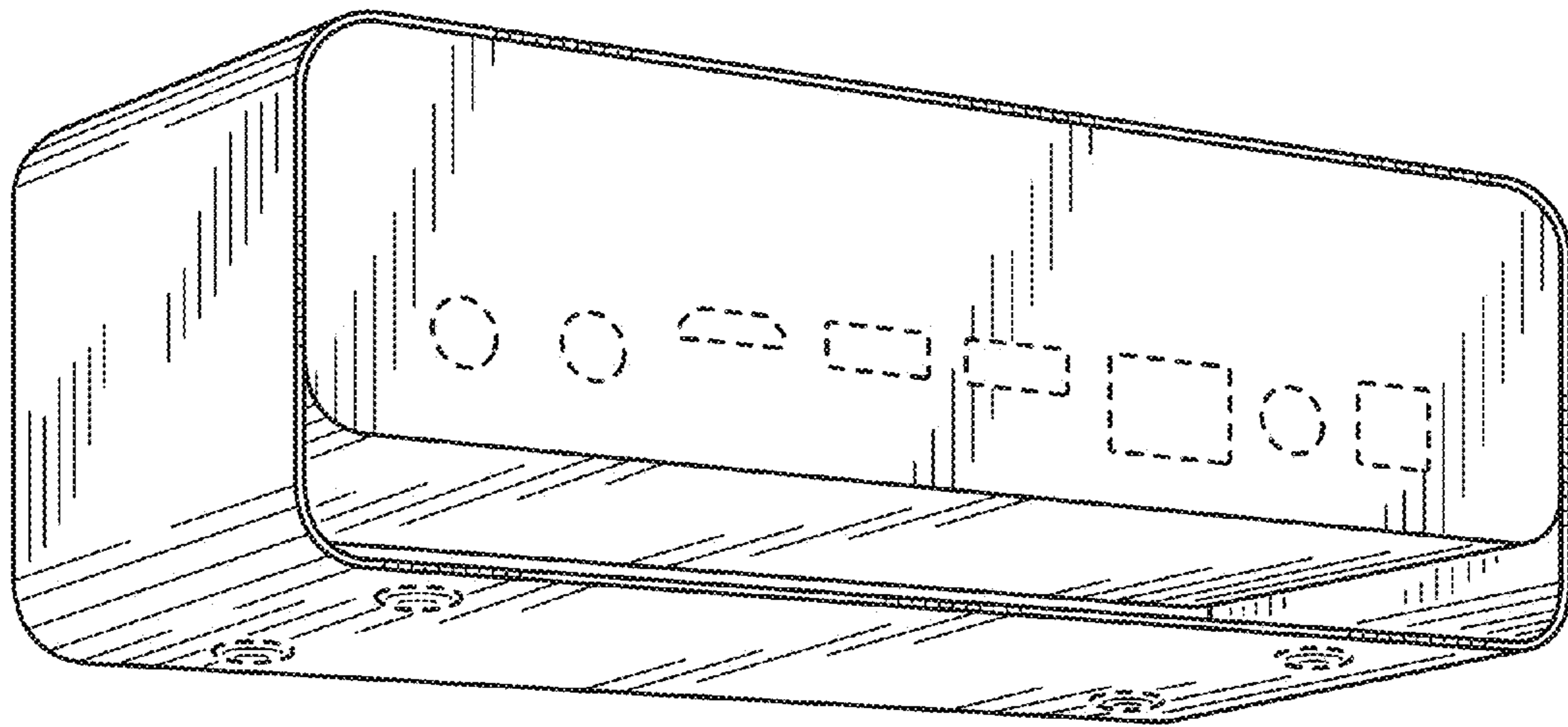


FIG. 2

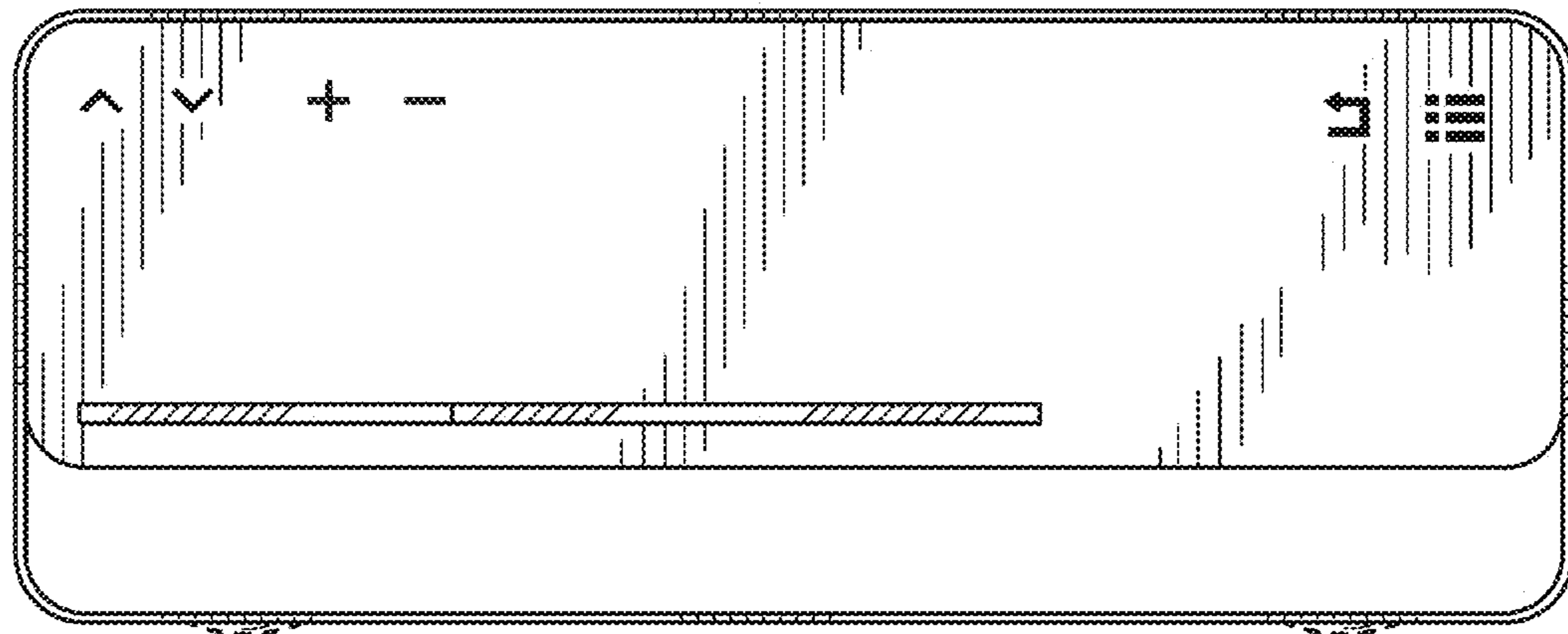


FIG. 3

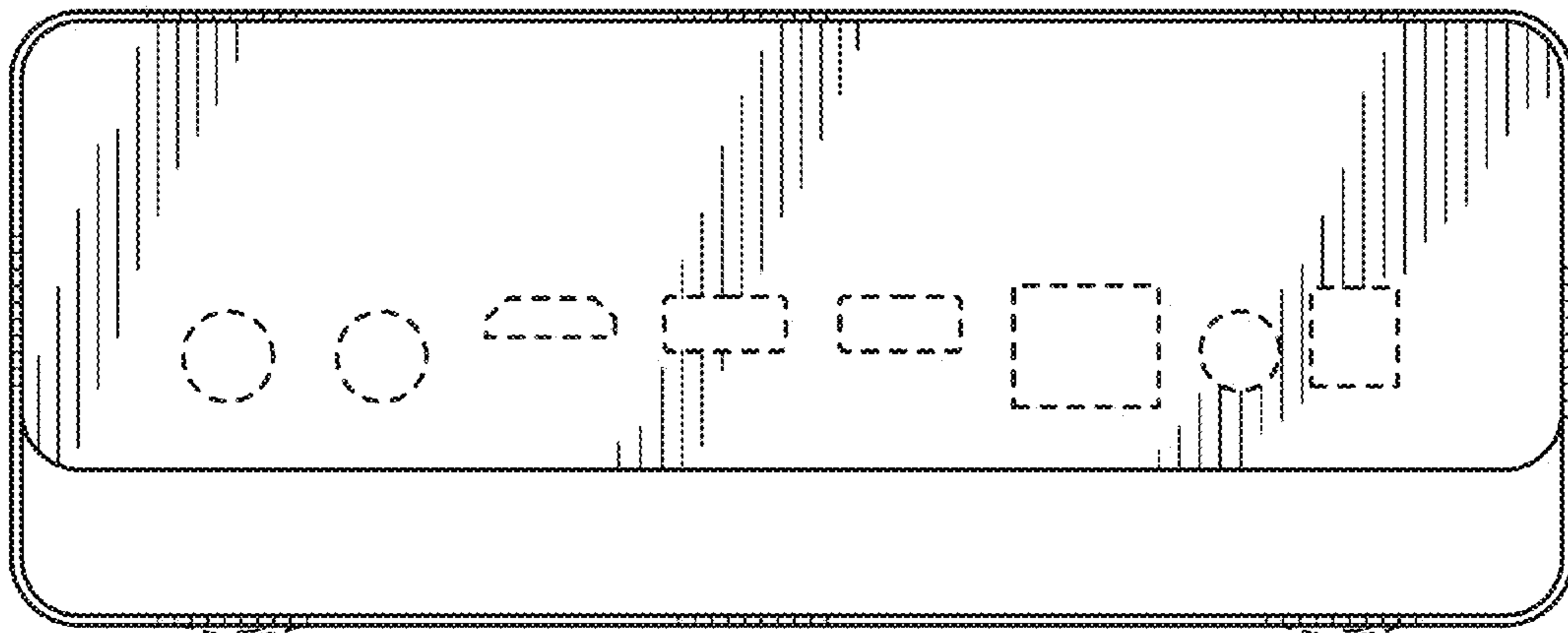
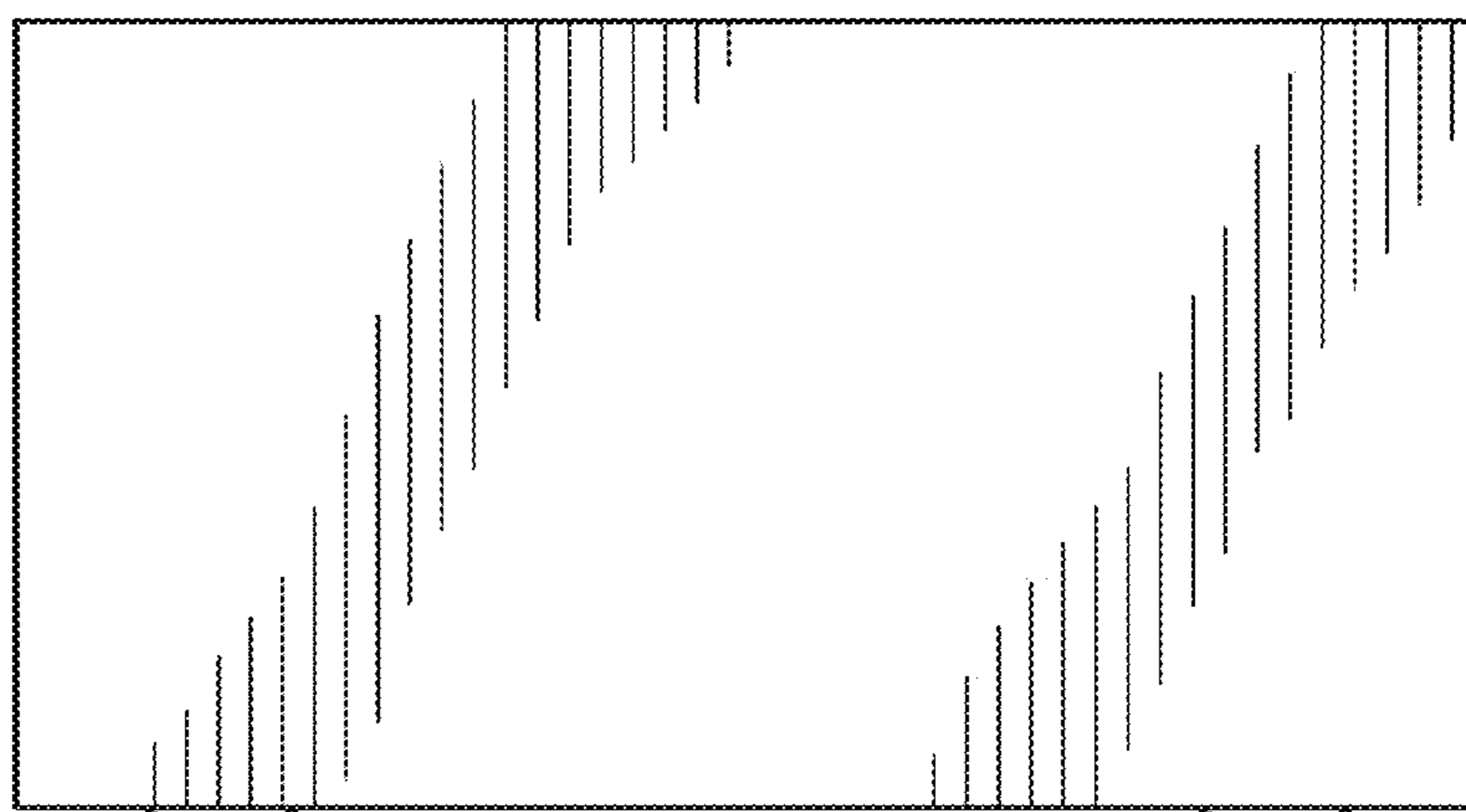
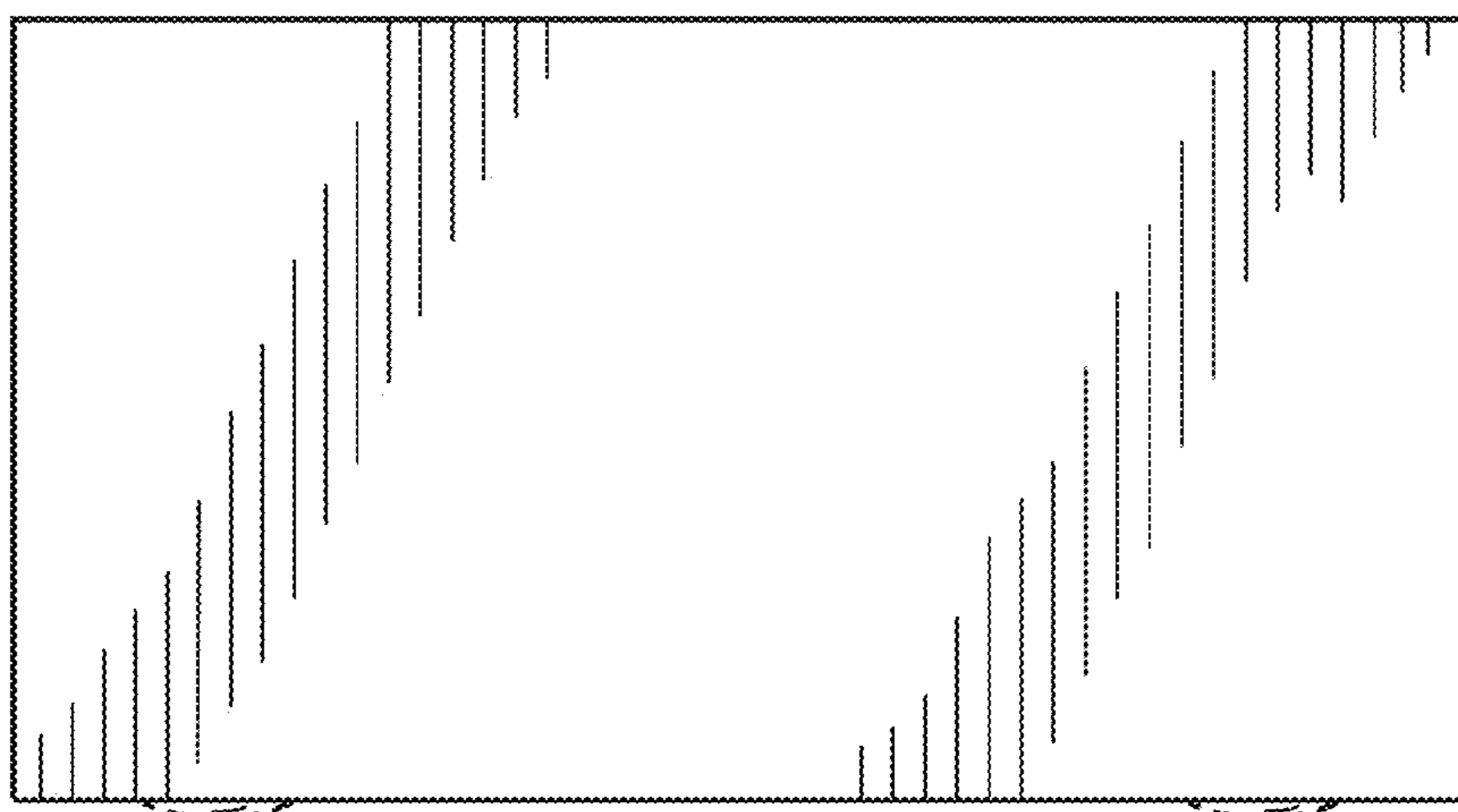


FIG. 4

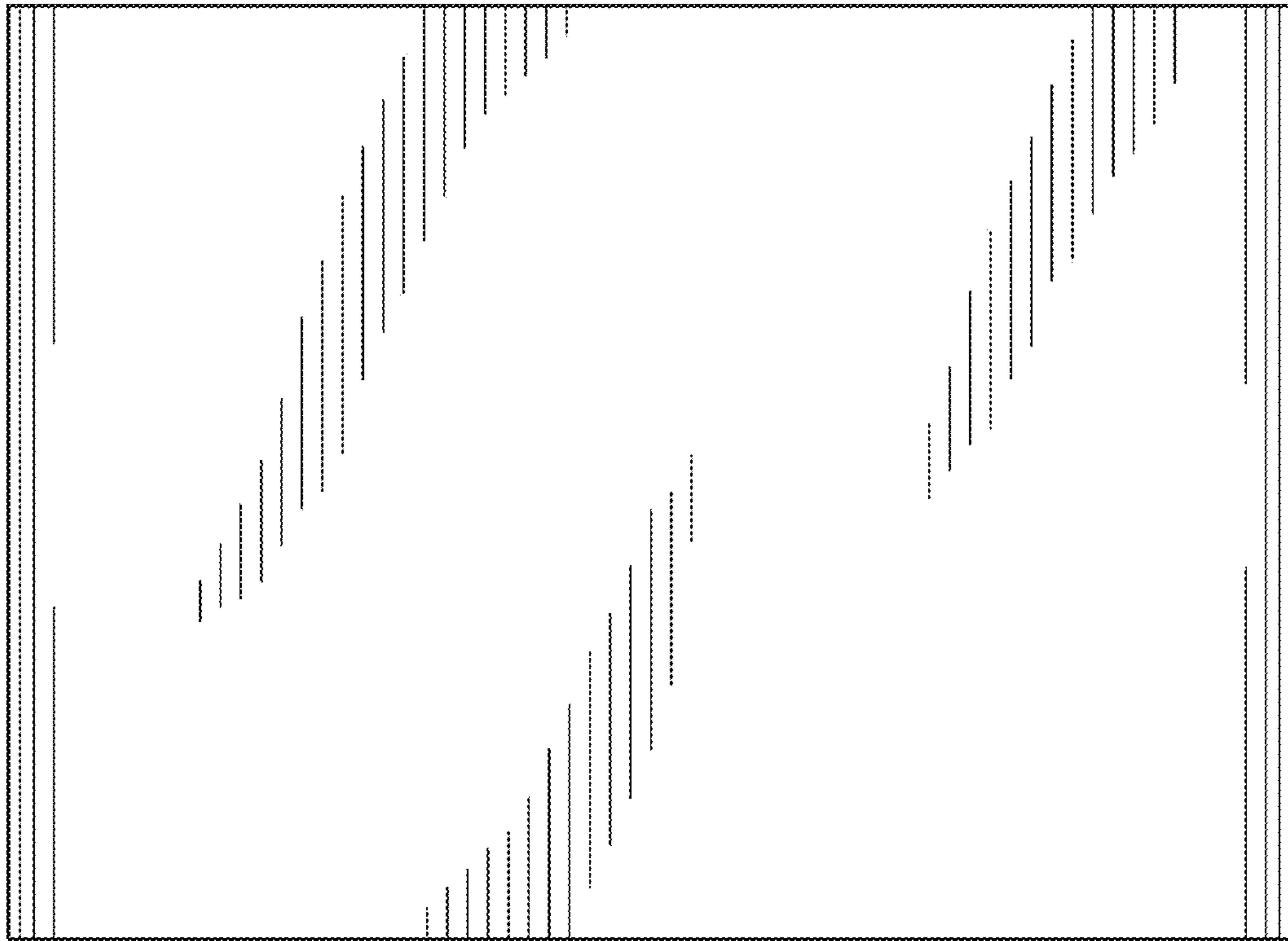


*FIG. 5*



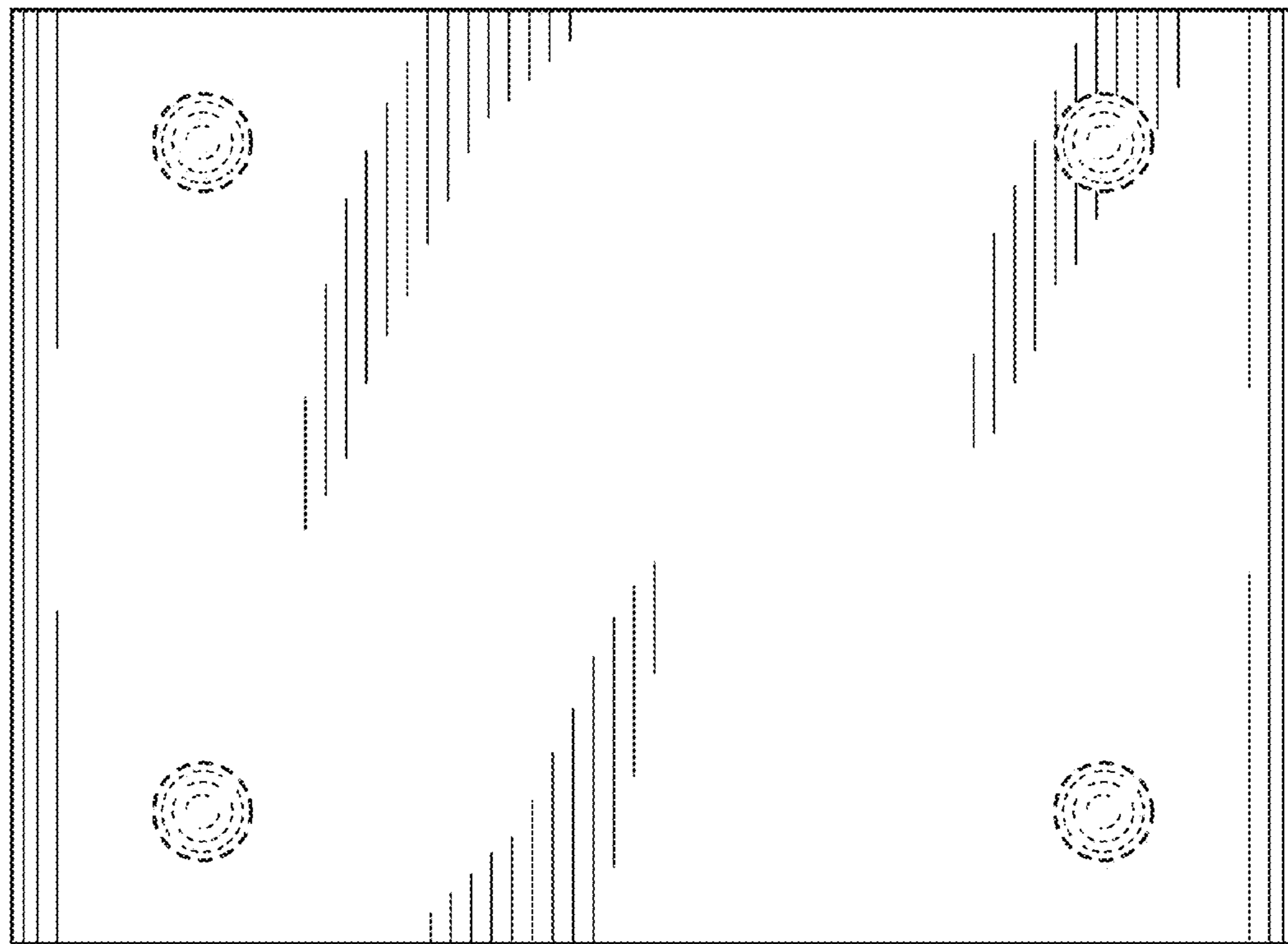


*FIG. 6*



*FIG. 7*





*FIG. 8*