



US00D763808S

(12) **United States Design Patent**  
**Michaelraj et al.**

(10) **Patent No.:** **US D763,808 S**

(45) **Date of Patent:** **\*\* Aug. 16, 2016**

(54) **ENCLOSURE**

(71) Applicant: **EATON CORPORATION**, Cleveland, OH (US)

(72) Inventors: **Ashwin Michaelraj**, Peachtree City, GA (US); **Alan Huanqing Chen**, Hongqiao Town (CN); **Erik Jeffrey Gouhl**, Fayetteville, GA (US)

(73) Assignee: **EATON CORPORATION**, Cleveland, OH (US)

(\*\*) Term: **14 Years**

(21) Appl. No.: **29/498,719**

(22) Filed: **Aug. 7, 2014**

(51) **LOC (10) Cl.** ..... **13-99**

(52) **U.S. Cl.**  
USPC ..... **D13/184**

(58) **Field of Classification Search**  
USPC ..... D13/158, 159, 160, 161, 162, 184, 199;  
200/43.14, 50.01, 50.21–50.23, 51 R,  
200/293, 400, 401; 361/42, 44, 45, 50, 71,  
361/115, 608, 634, 736; 174/50; 220/3.2,  
220/3.3, 3.8, 4.02, 243, 244; 439/135, 367,  
439/373, 535, 892; 109/73  
CPC ..... H02B 1/40; H02B 1/00  
See application file for complete search history.

(56) **References Cited**

**U.S. PATENT DOCUMENTS**

5,243,157 A \* 9/1993 Hoffman ..... H01H 9/281  
200/43.11  
D354,738 S \* 1/1995 Zimmermann ..... D13/158  
D402,275 S \* 12/1998 Korhonen ..... D13/184  
D538,237 S \* 3/2007 Castaldo ..... D13/158  
D658,137 S \* 4/2012 Dodal ..... D13/169

D660,261 S \* 5/2012 Huang ..... D13/184  
D679,258 S \* 4/2013 Moore ..... D13/162.1  
8,927,887 B2 \* 1/2015 Fischer ..... H01H 3/36  
200/50.02  
D730,305 S \* 5/2015 Brunn ..... D13/184  
2011/0011710 A1 \* 1/2011 Dodal ..... H01H 9/04  
200/302.1

**OTHER PUBLICATIONS**

Pass & Seymour—PS30SS; <http://www.alliedelec.com/search/productdetail.aspx?SKU=70050850>.

HBLDS3—Switched Enclosure; <http://www.hubbellcatalog.com/wiring/section-c-datasheet.asp?FAM=Switches&PN=>.

\* cited by examiner

*Primary Examiner* — Ian Simmons

*Assistant Examiner* — Harold Blackwell, II

(74) *Attorney, Agent, or Firm* — Eckert Seamans Cherin & Mellott, LLC; Grant E. Coffield; John P. Powers

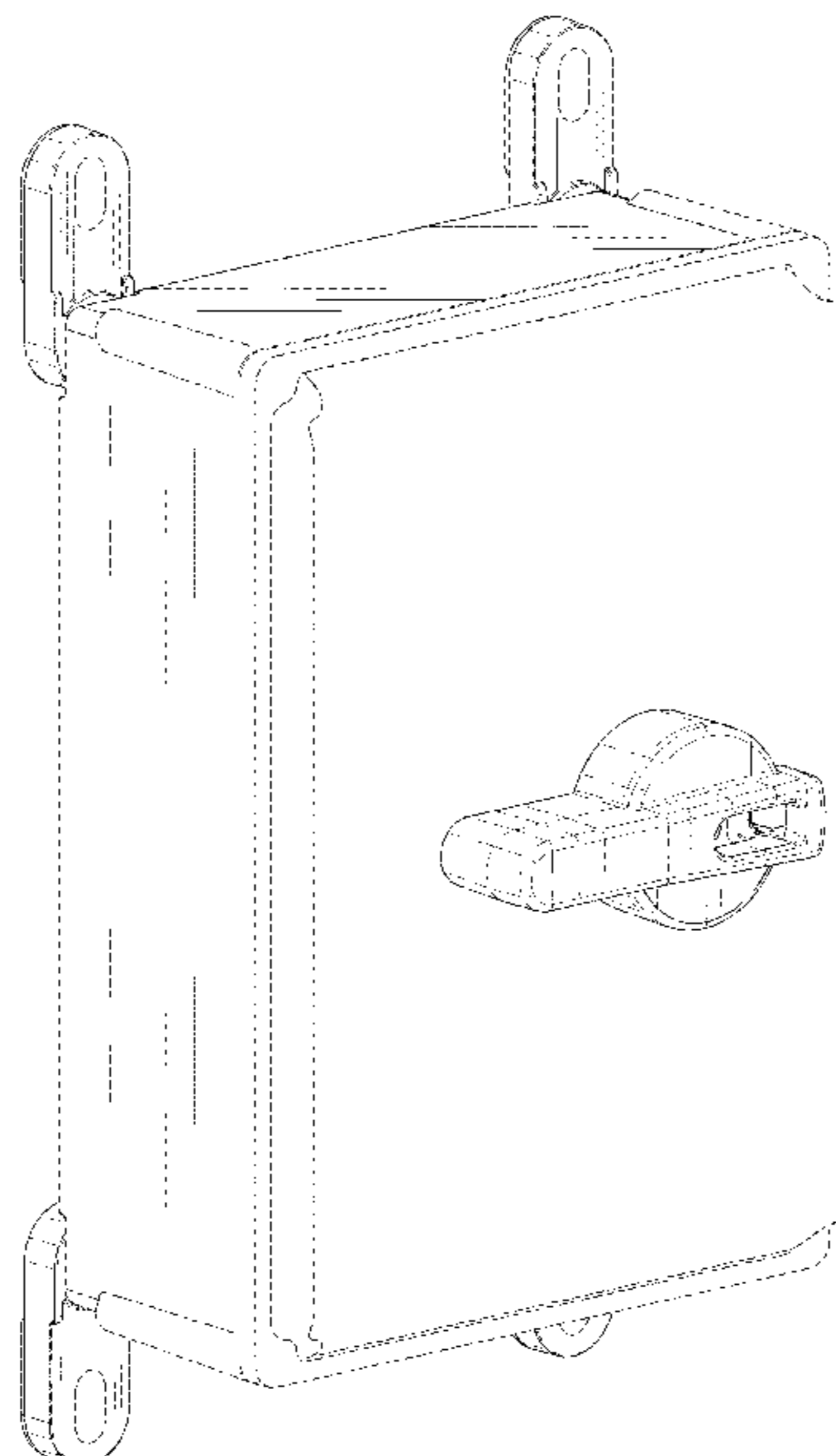
(57) **CLAIM**

The ornamental design for an enclosure, as shown and described.

**DESCRIPTION**

FIG. 1 is a front isometric view of an enclosure;  
FIG. 2 is a top plan view of the enclosure of FIG. 1;  
FIG. 3 is a bottom plan view of the enclosure of FIG. 1;  
FIG. 4 is a left side elevational view of the enclosure of FIG. 1;  
FIG. 5 is a right side elevational view of the enclosure of FIG. 1;  
FIG. 6 is a front elevational view of the enclosure of FIG. 1; and,  
FIG. 7 is a back elevational view of the enclosure of FIG. 1.  
The broken lines in the drawings illustrate portions of the enclosure which form no part of the claimed design.

**1 Claim, 6 Drawing Sheets**



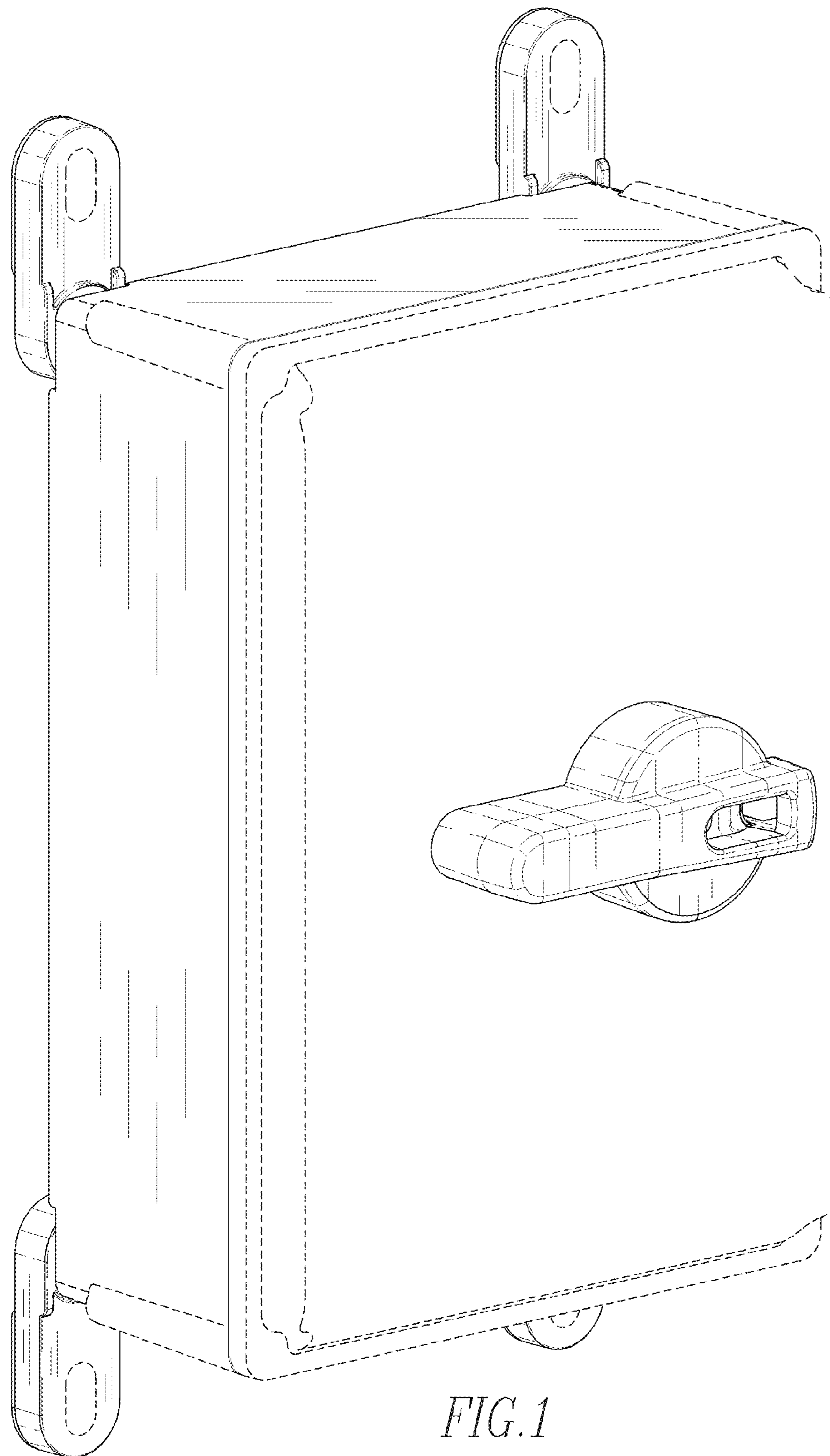


FIG. 1

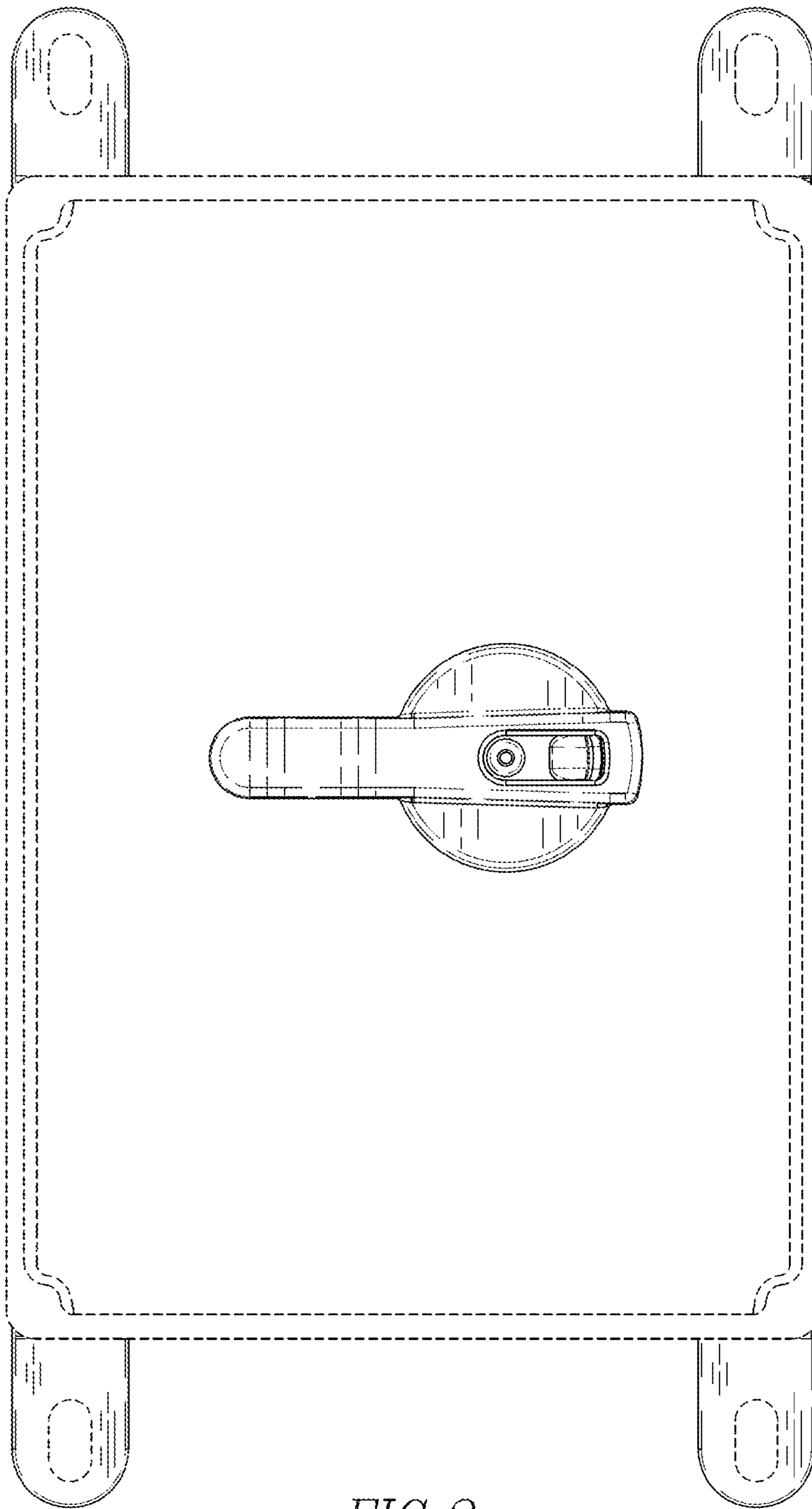


FIG. 2

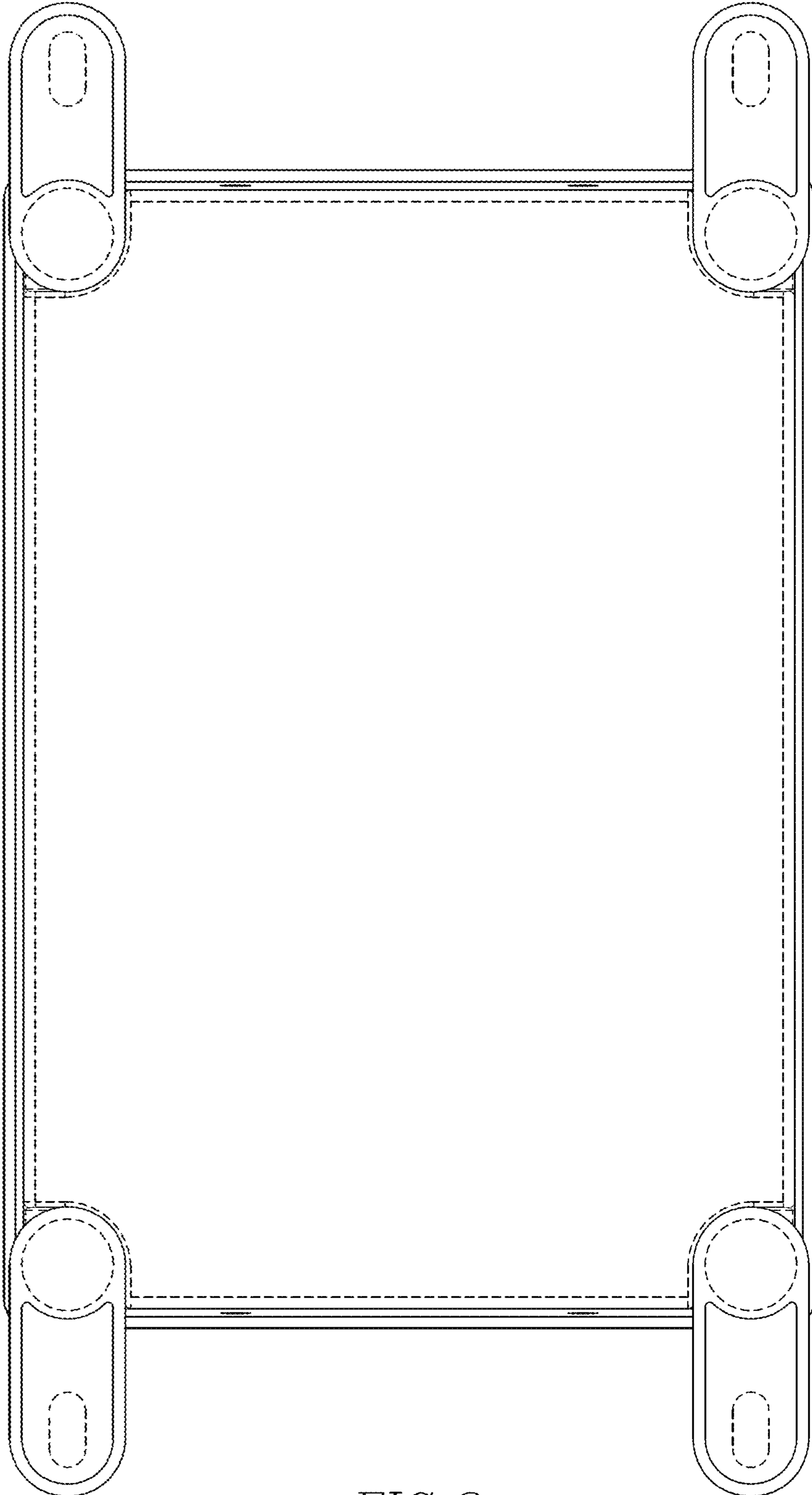


FIG. 3

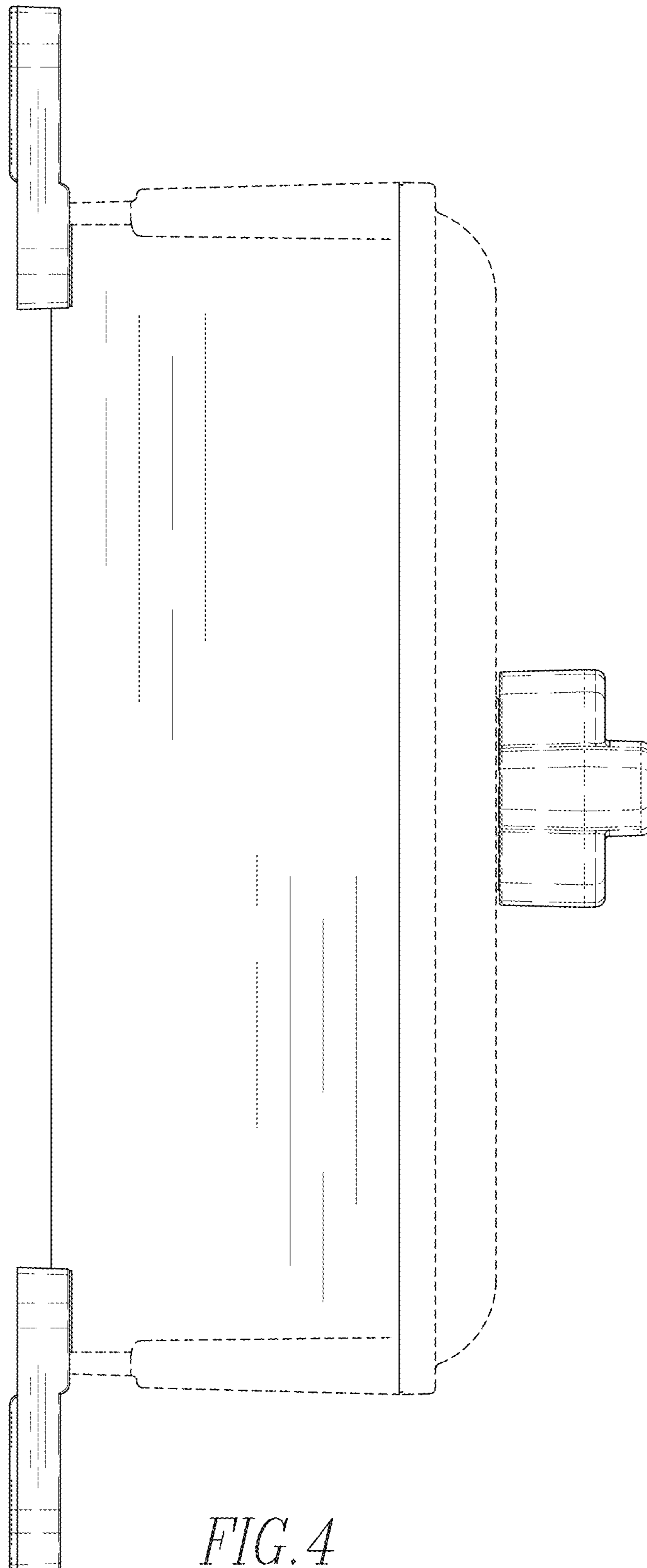


FIG. 4

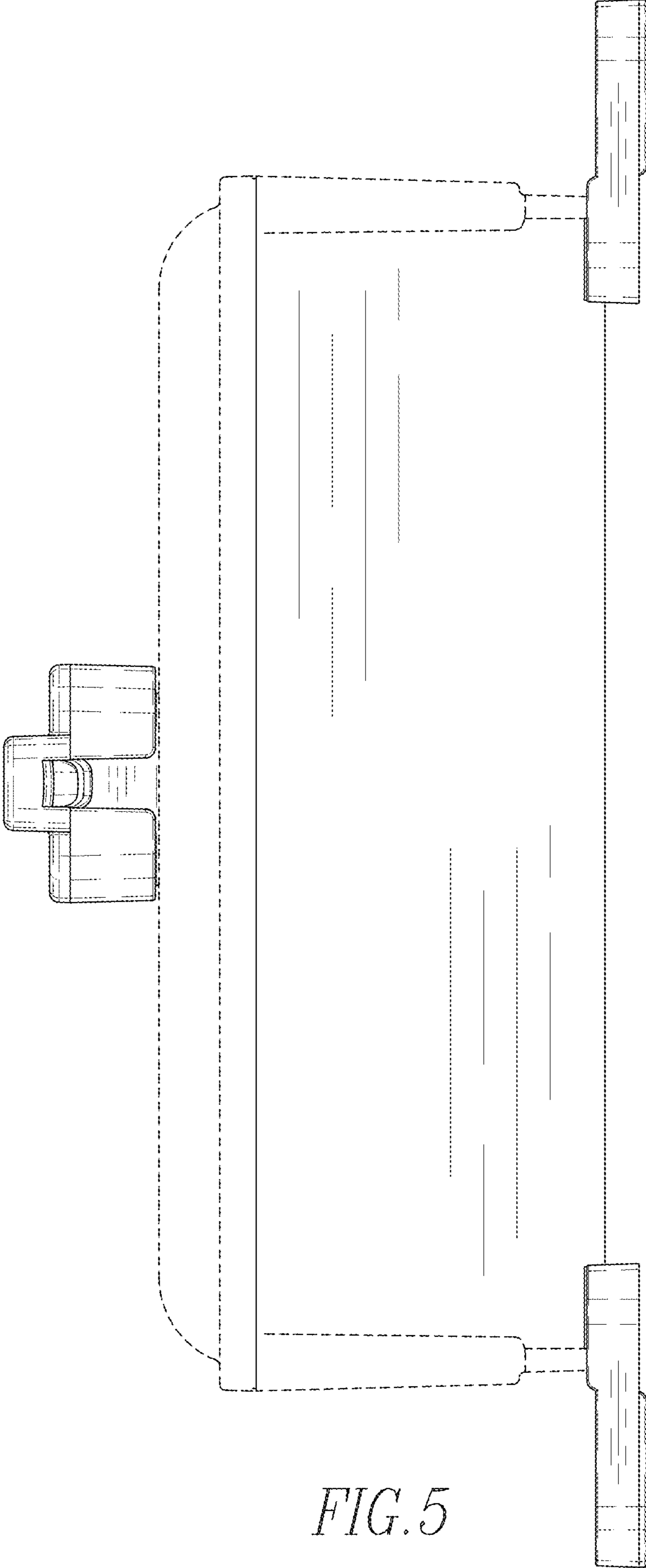


FIG. 5



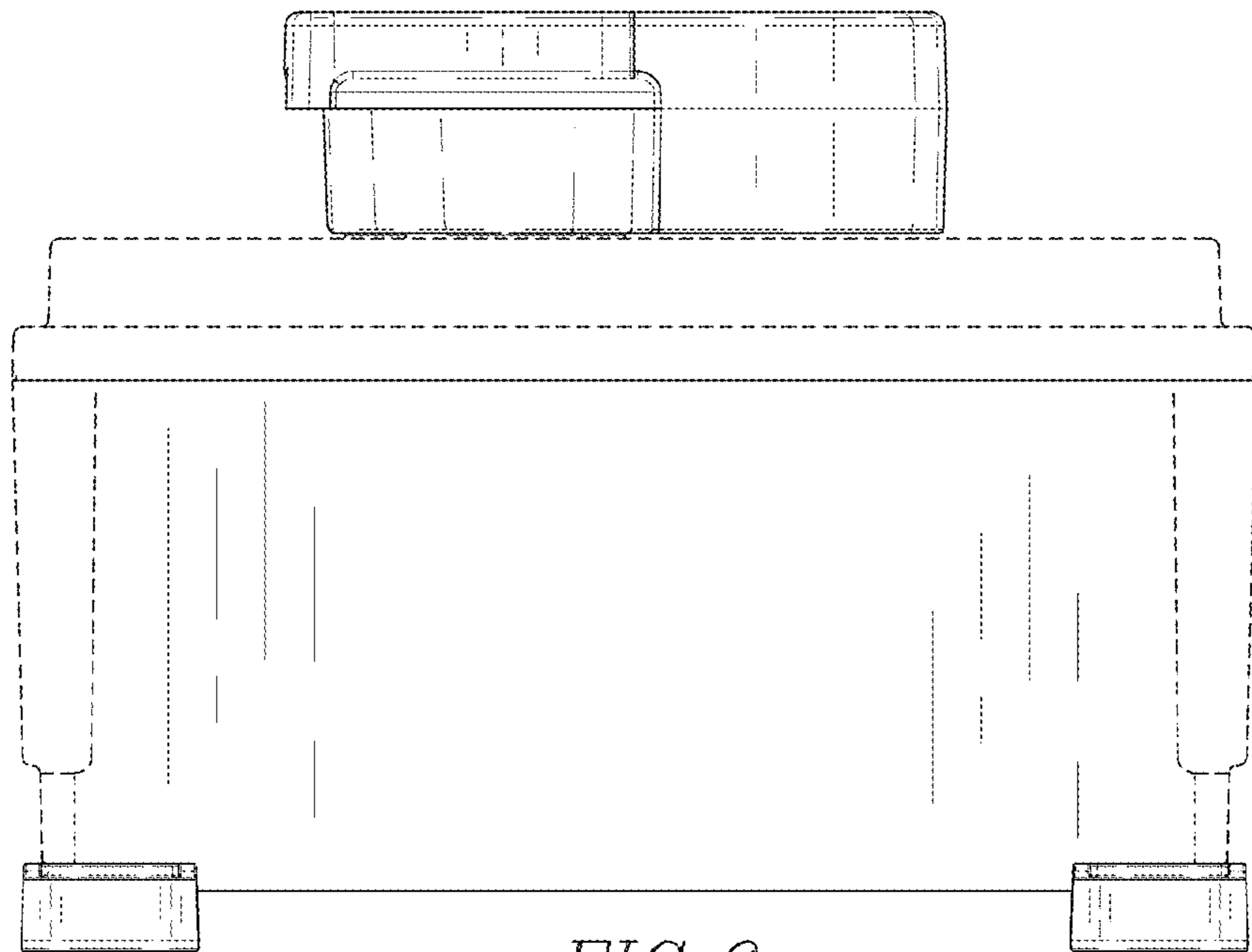


FIG. 6

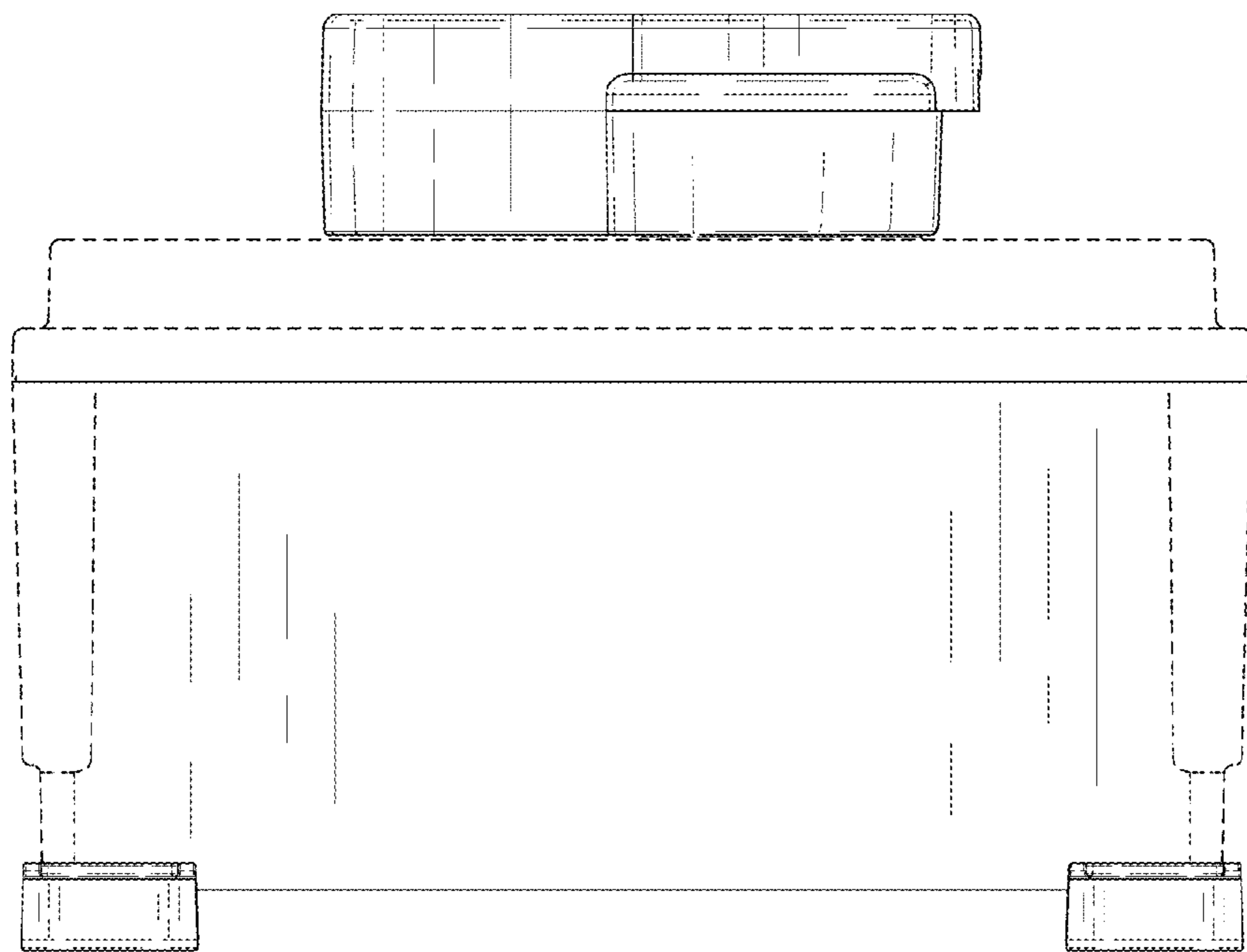


FIG. 7