



US00D763807S

(12) **United States Design Patent**
Dempster et al.

(10) **Patent No.:** **US D763,807 S**
(45) **Date of Patent:** **** Aug. 16, 2016**

(54) **BOAT FOR A DEPOSITION APPARATUS**

(71) Applicant: **HZO, Inc.**, Draper, UT (US)

(72) Inventors: **James Dempster**, Reno, NV (US);
Jason Maynard, Salt Lake City, UT (US)

(73) Assignee: **HZO, INC.**, Draper, UT (US)

(**) Term: **14 Years**

(21) Appl. No.: **29/491,643**

(22) Filed: **May 22, 2014**

(51) **LOC (10) Cl.** **13-03**

(52) **U.S. Cl.**
USPC **D13/182**

(58) **Field of Classification Search**
USPC D13/182; D15/144, 144.1, 199;
118/715, 500, 728, 729; 211/41.18;
432/253, 258; 156/345.51, 345.52,
156/345.53, 345.55; 414/217, 220.01,
414/935-941
CPC C23C 16/458; C23C 16/4581; C23C
16/4582; C23C 16/4583; C23C 16/4584;
C23C 16/4586; C23C 16/4587; C23C
16/4588; C30B 31/14; H01L 21/673; H01L
21/67303; H01L 21/67306; H01L 21/67309;
H01L 21/67313; H01L 21/67316; H01L
21/67323; H01L 21/67326; H01L 21/6733
See application file for complete search history.

(56) **References Cited**

U.S. PATENT DOCUMENTS

4,303,694	A	12/1981	Bois	
5,743,967	A *	4/1998	Kobori et al.	118/724
5,752,609	A *	5/1998	Kato et al.	211/41.18
D404,371	S *	1/1999	Shimazu	D13/182
5,897,311	A *	4/1999	Nishi	432/239
5,904,958	A	5/1999	Dick et al.	
6,056,123	A *	5/2000	Niemirowski et al.	206/711

6,095,806	A *	8/2000	Suzuki et al.	432/241
6,099,302	A *	8/2000	Hong et al.	432/259
6,099,645	A *	8/2000	Easley et al.	118/500
6,110,285	A *	8/2000	Kitazawa et al.	118/715
6,287,112	B1 *	9/2001	Van Voorst Vader et al.	432/258
6,341,935	B1 *	1/2002	Tseng	414/800
6,450,346	B1 *	9/2002	Boyle et al.	211/41.18
6,979,659	B2 *	12/2005	Zehavi et al.	438/795
7,033,168	B1 *	4/2006	Gupta et al.	432/253
D570,308	S *	6/2008	Sato	D13/182
D580,894	S *	11/2008	Sato	D13/182
7,484,958	B2 *	2/2009	Kobayashi	432/258
D600,221	S *	9/2009	Sato	D13/182
D600,222	S *	9/2009	Sato	D13/182
D616,391	S *	5/2010	Sato	D13/182
D616,394	S *	5/2010	Sato	D13/182
D616,395	S *	5/2010	Sato	D13/182
8,042,697	B2 *	10/2011	Gilmore et al.	211/41.18
2002/0113027	A1 *	8/2002	Minami et al.	211/41.18
2003/0024888	A1 *	2/2003	Payne et al.	211/41.18
2005/0145584	A1 *	7/2005	Buckley et al.	211/41.18
2010/0081104	A1	4/2010	Hein et al.	

* cited by examiner

Primary Examiner — Elizabeth J Oswecki

(74) *Attorney, Agent, or Firm* — Stephen Kenny; Walter M. Egbert, III; Foley Hoag LLP

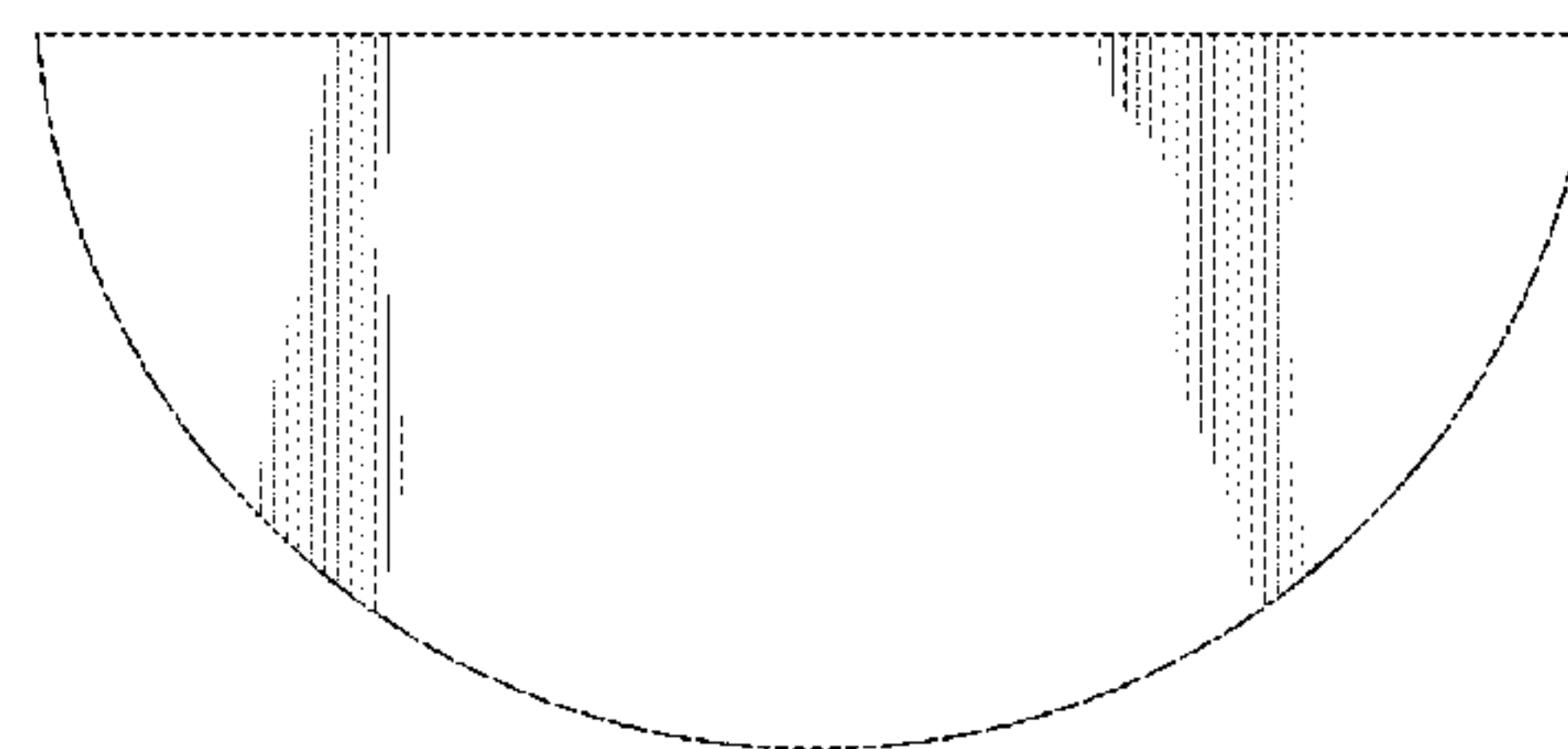
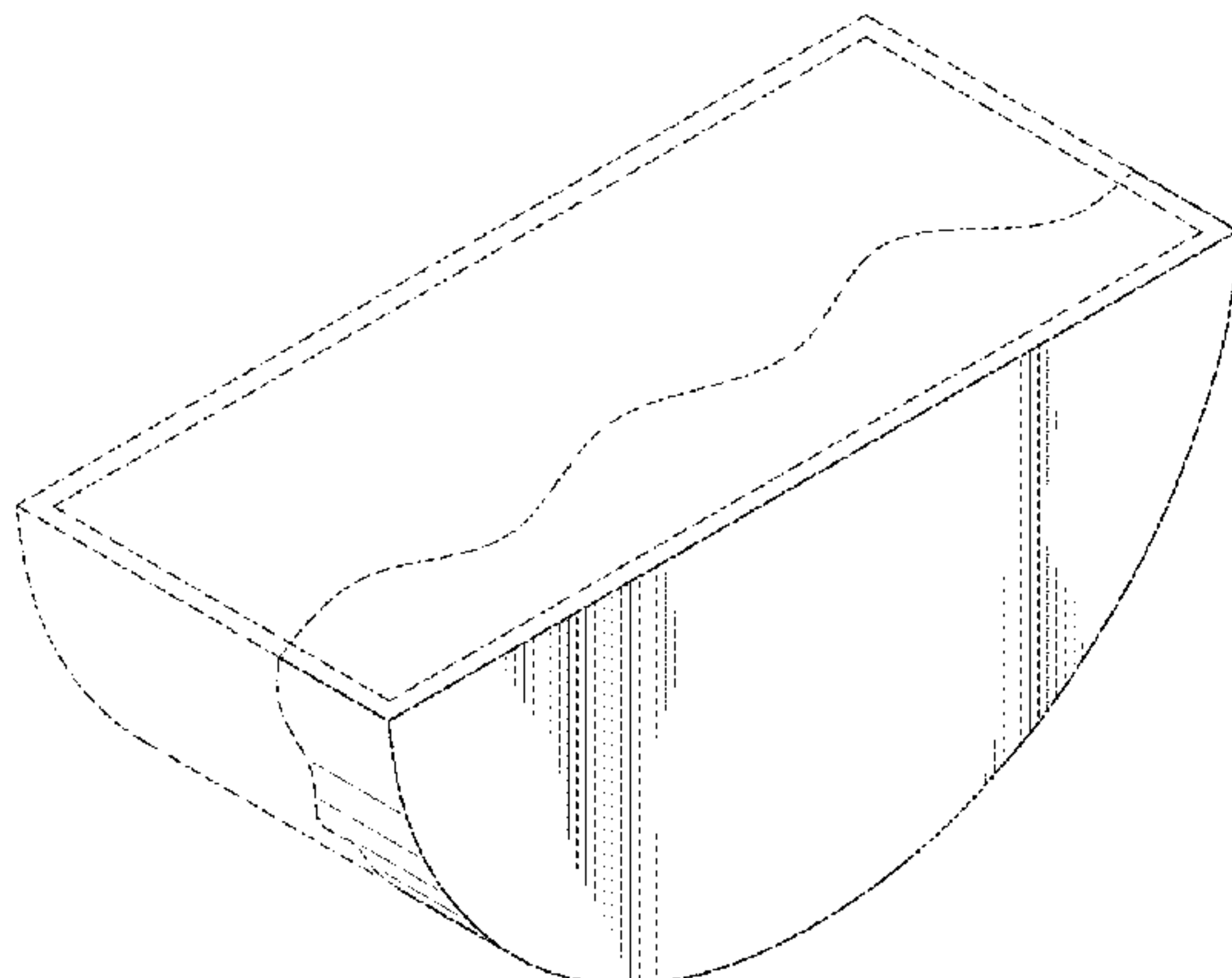
(57) **CLAIM**

The ornamental design for a boat for a deposition apparatus, as shown and described.

DESCRIPTION

FIG. 1 is a perspective view of a boat for a deposition apparatus showing our new design;
FIG. 2 is a front view thereof;
FIG. 3 is a rear view thereof;
FIG. 4 is a top view thereof;
FIG. 5 is a bottom view thereof;
FIG. 6 is a side view thereof; and,
FIG. 7 is another side view thereof.
Broken lines are used in the drawings to illustrate features that form no part of the claimed design.

1 Claim, 3 Drawing Sheets



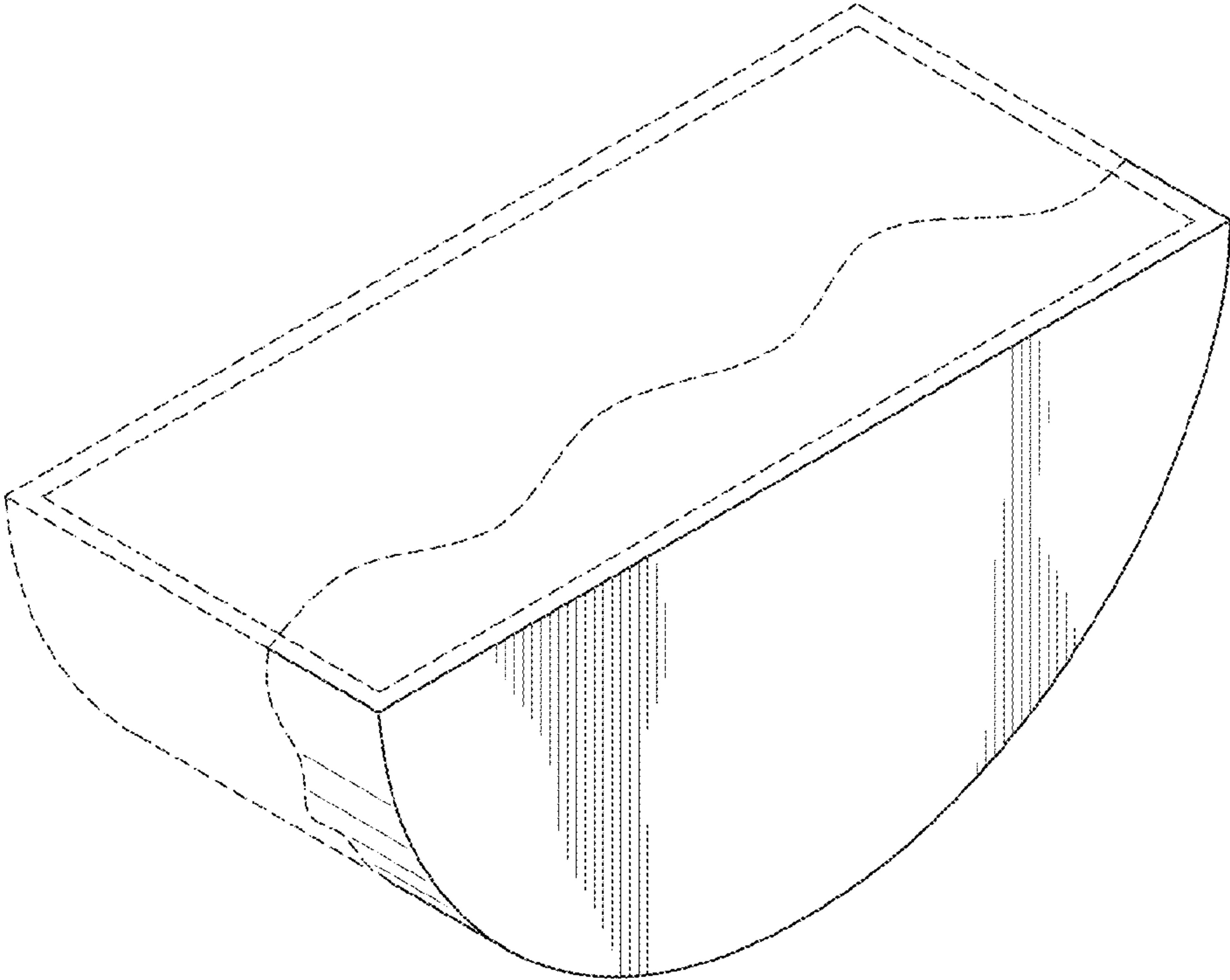


FIG. 1

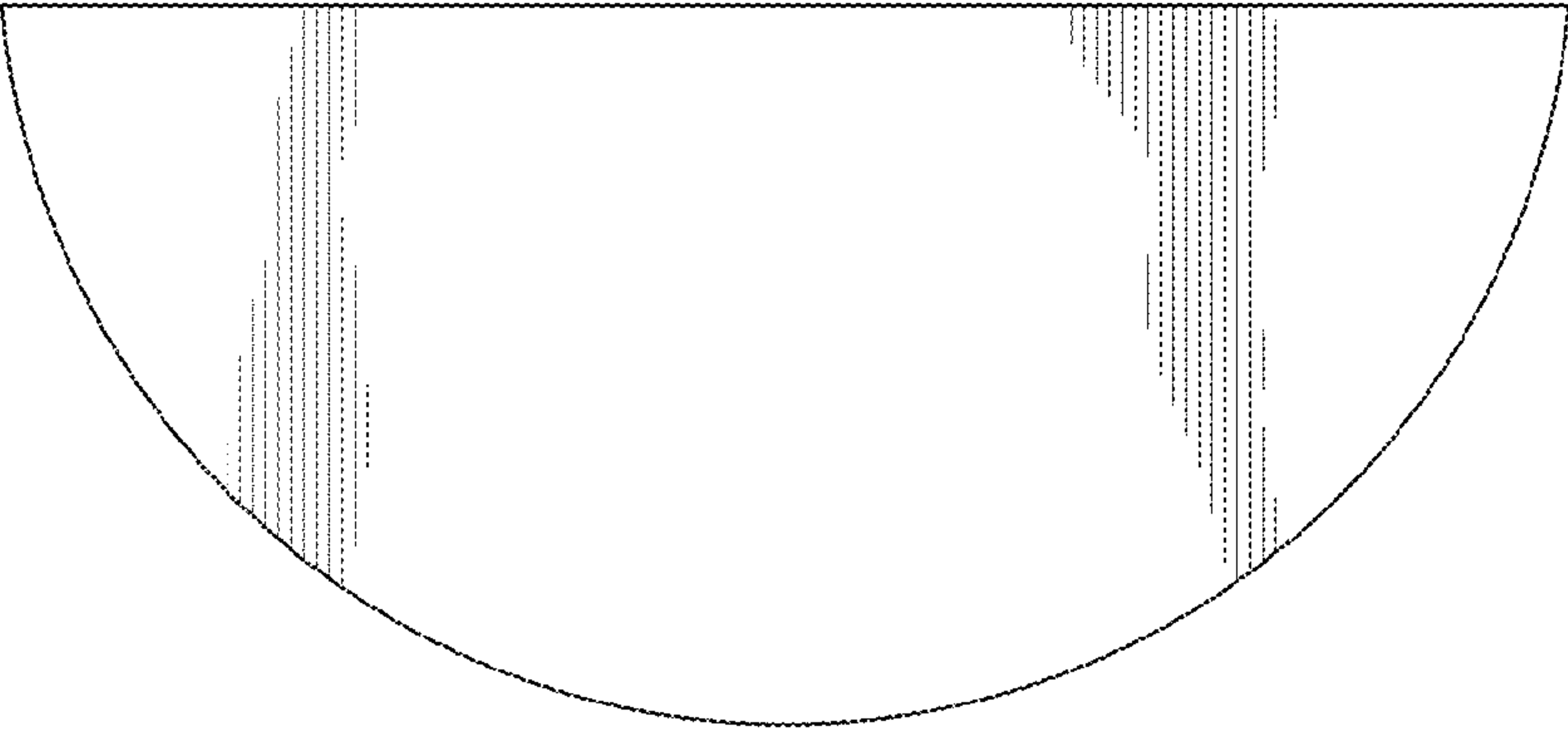


FIG. 2

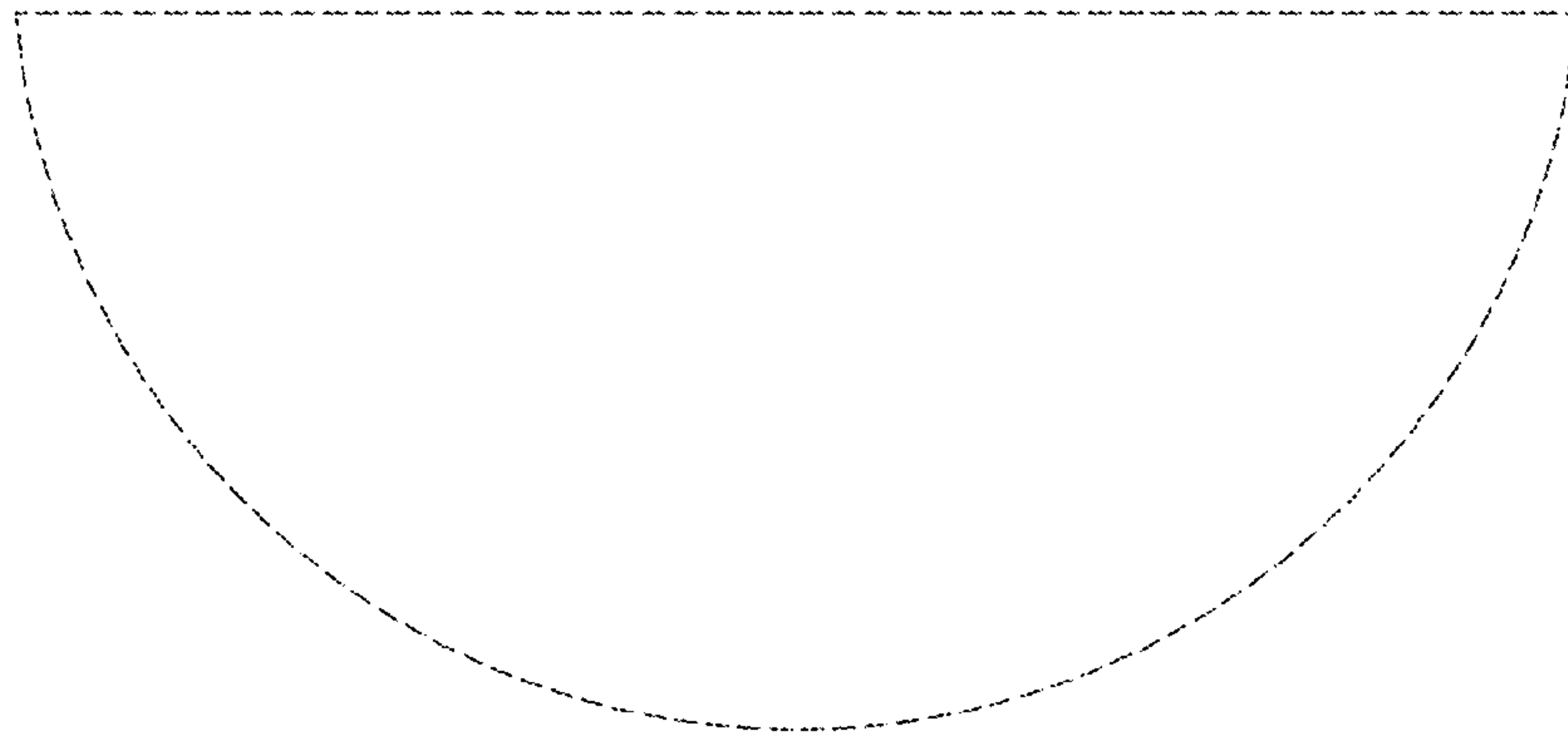


FIG. 3

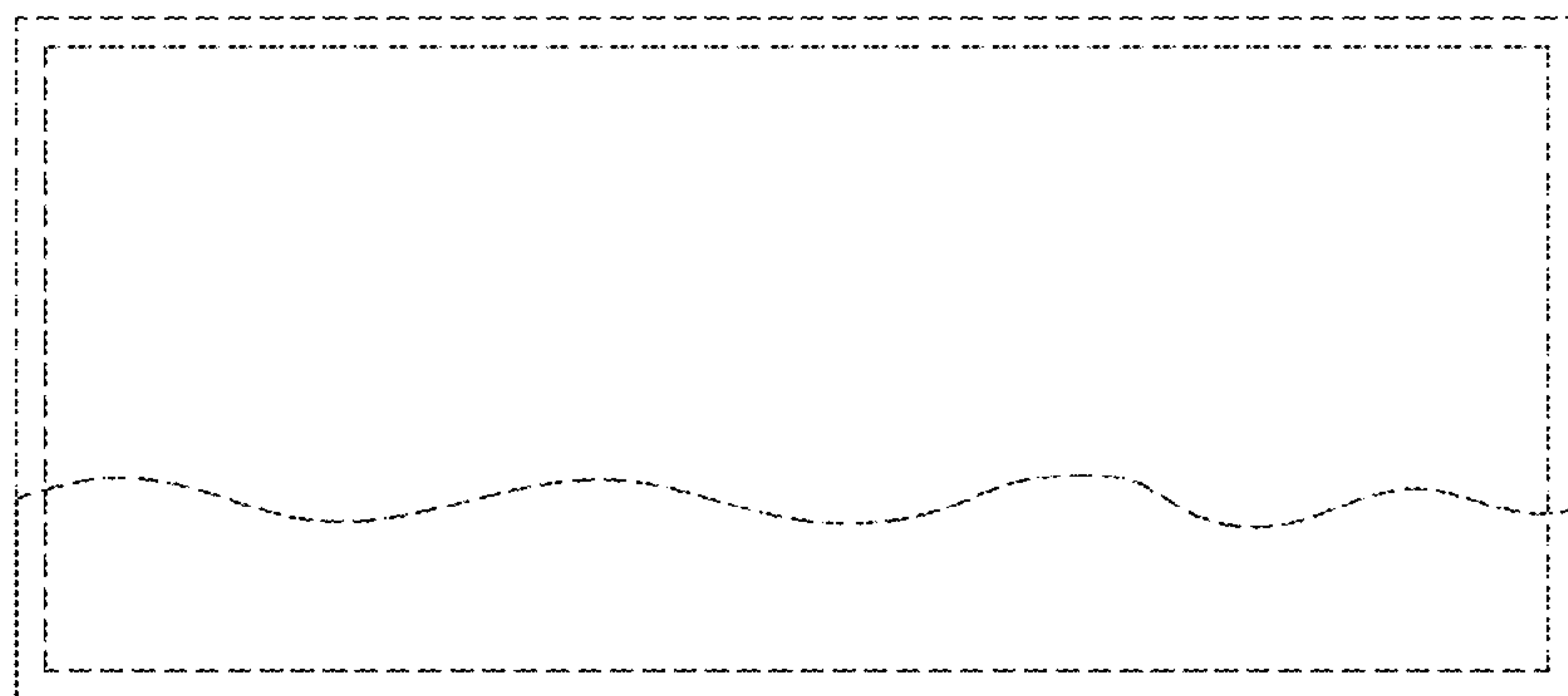


FIG. 4

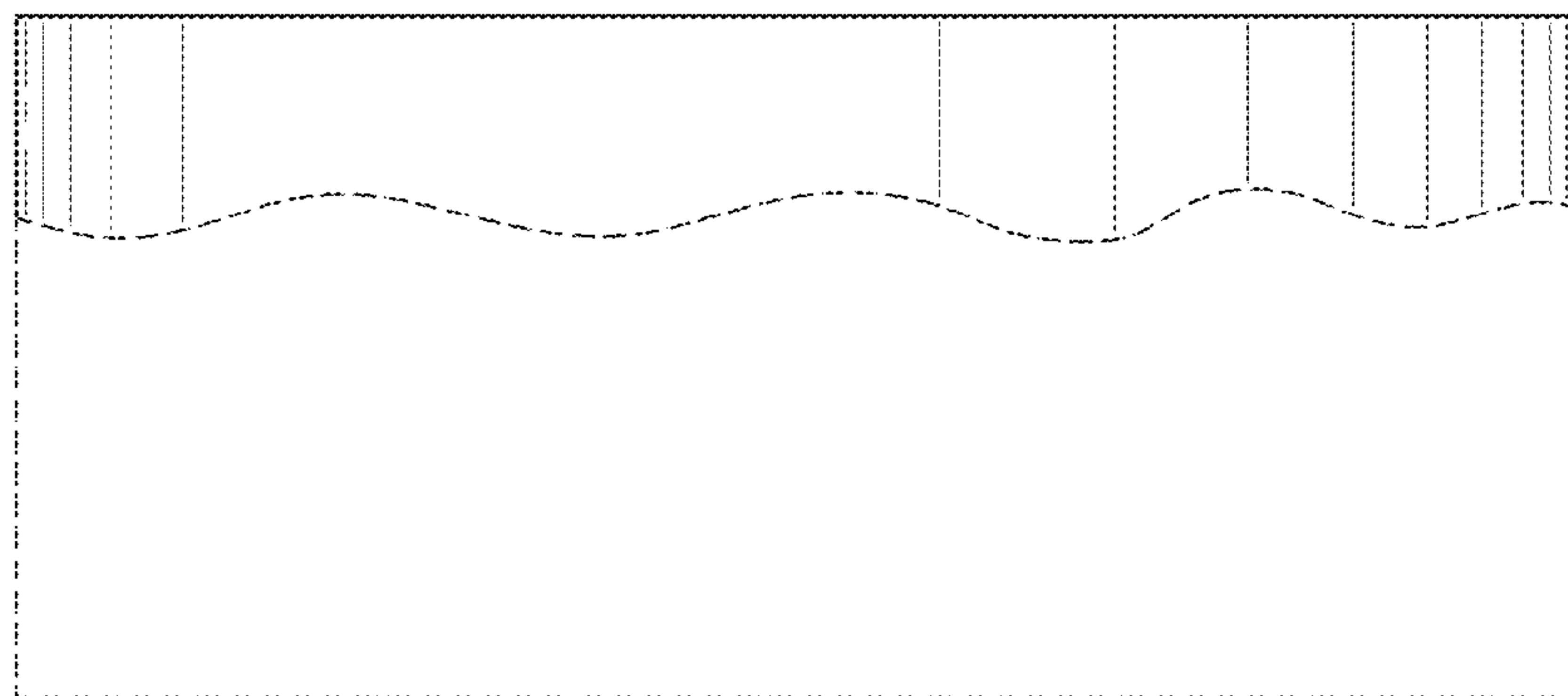


FIG. 5

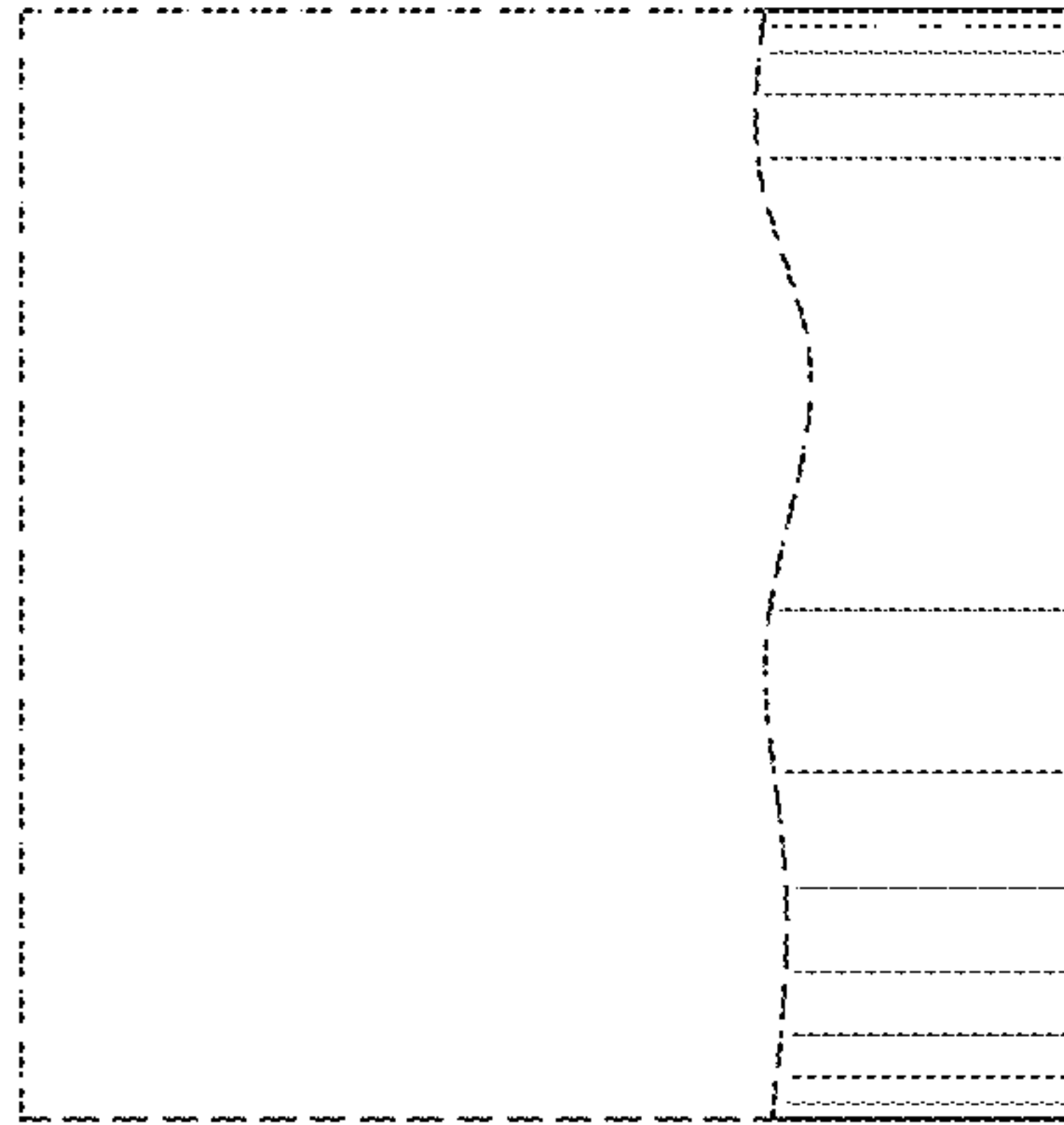


FIG. 6

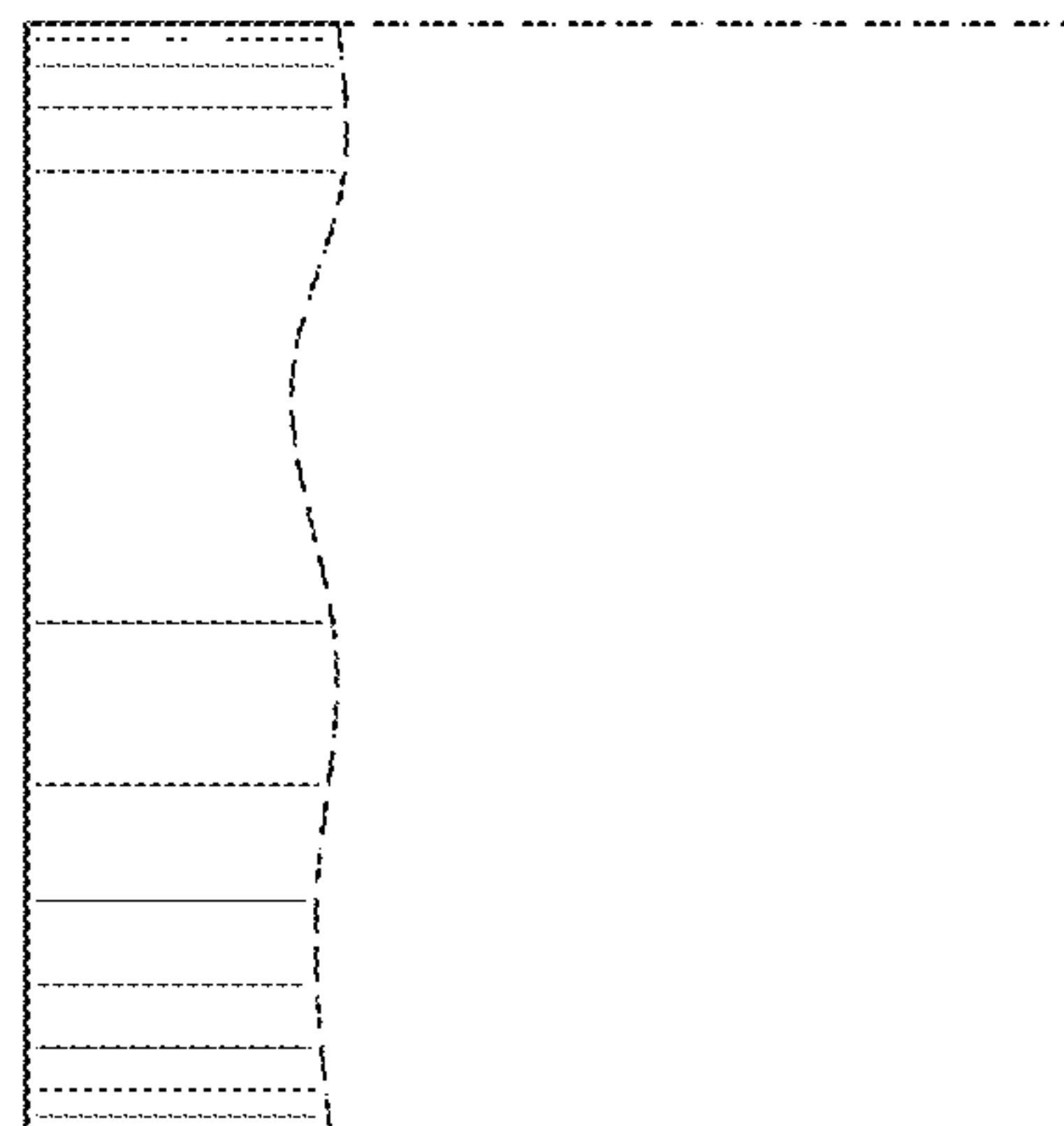


FIG. 7