



US00D763803S

(12) **United States Design Patent**
Dorn et al.

(10) **Patent No.:** **US D763,803 S**
(45) **Date of Patent:** **** Aug. 16, 2016**

(54) **SWITCH**

(71) Applicant: **Raffel Systems, LLC**, Germantown, WI (US)

(72) Inventors: **Douglas A. Dorn**, Brookfield, WI (US);
Steven Smith, Menomonee Falls, WI (US)

(73) Assignee: **RAFFEL SYSTEMS, LLC**,
Germantown, WI (US)

(**) Term: **14 Years**

(21) Appl. No.: **29/500,580**

(22) Filed: **Aug. 26, 2014**

(51) **LOC (10) Cl.** **13-03**

(52) **U.S. Cl.**
USPC **D13/171**

(58) **Field of Classification Search**
USPC D13/162, 164, 171, 177
CPC H01H 3/12; H01H 9/02; H01H 9/16;
H01H 9/18; H01H 9/181; H01H 9/182;
H01H 13/04; H01H 13/14; H01H 2009/187;
H05B 37/02; H05B 37/0254; H05B 37/2072;
H05B 39/02; H05B 39/04; H05B 39/085;
H05B 39/086; H05B 39/088
See application file for complete search history.

(56) **References Cited**

U.S. PATENT DOCUMENTS

D211,950 S * 8/1968 Driscoll 74/566
D310,818 S * 9/1990 Zaretsky D13/117

D310,819 S * 9/1990 Watson D13/117
D325,559 S * 4/1992 Rosenbaum D13/171
D335,283 S * 5/1993 Justiniano D13/171
D336,894 S * 6/1993 Zaretsky D13/171
D522,973 S * 6/2006 McLellan D13/164
7,087,847 B2 * 8/2006 Parkinson H01H 13/86
200/302.2
D533,511 S * 12/2006 Nakashima D13/164
D595,240 S * 6/2009 Busbridge D13/164
D599,745 S * 9/2009 Yang D13/164
D601,512 S * 10/2009 Valoz D13/164
D621,795 S * 8/2010 Tsui D13/171
D635,102 S * 3/2011 Tsui D13/171

* cited by examiner

Primary Examiner — Selina Sikder

(74) *Attorney, Agent, or Firm* — Tyler J. Sisk; Casimir Jones, S.C.

(57) **CLAIM**

The ornamental design for a switch, as shown and described.

DESCRIPTION

FIG. 1 is a top perspective view showing our new design of a switch;
FIG. 2 is a front elevational view thereof, the rear elevational view being identical;
FIG. 3 is a left side elevational view thereof,
FIG. 4 is a right side elevational view thereof; and,
FIG. 5 is a top plan view thereof.
The broken lines shown in FIGS. 1 through 5 are for the purpose of illustrating environment, and form no part of the claimed design.

1 Claim, 5 Drawing Sheets

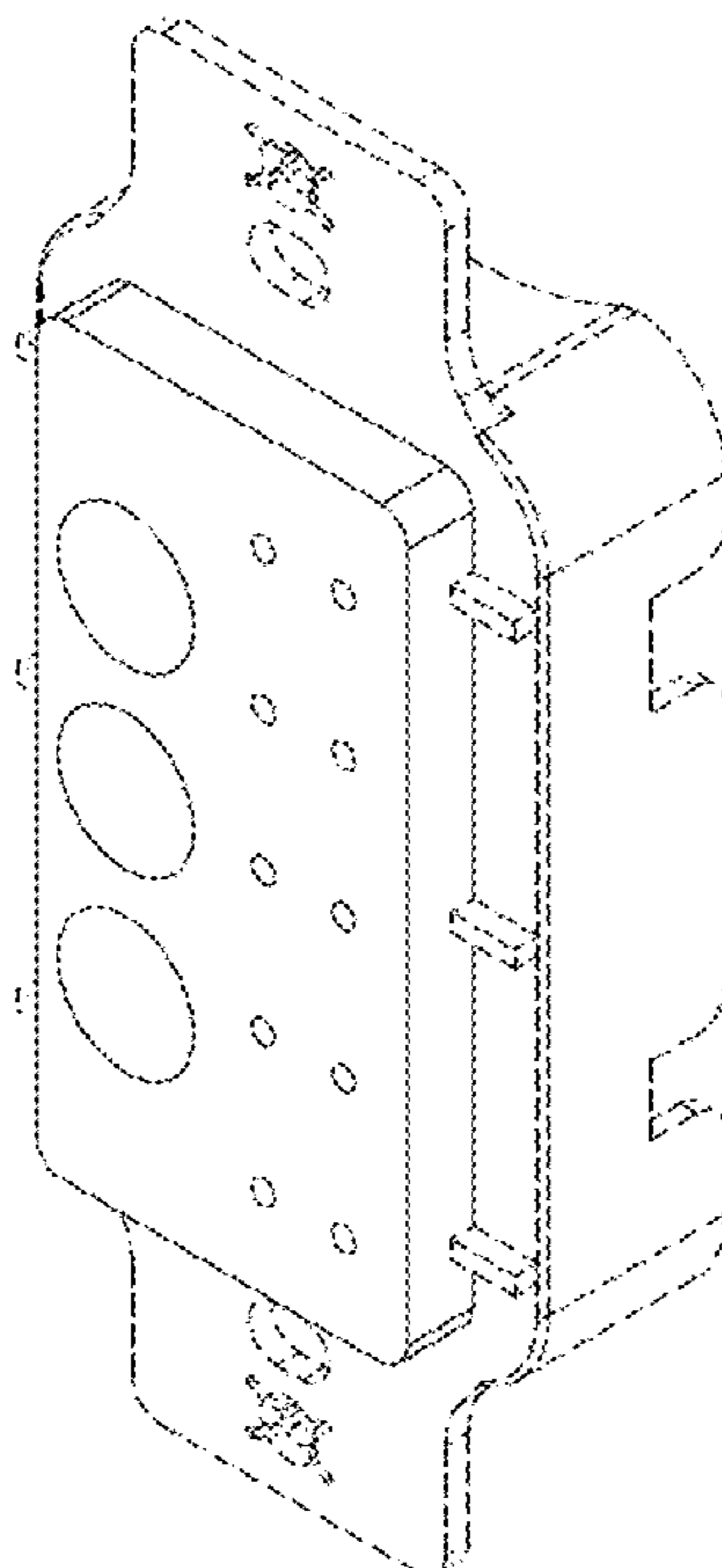


FIG. 1

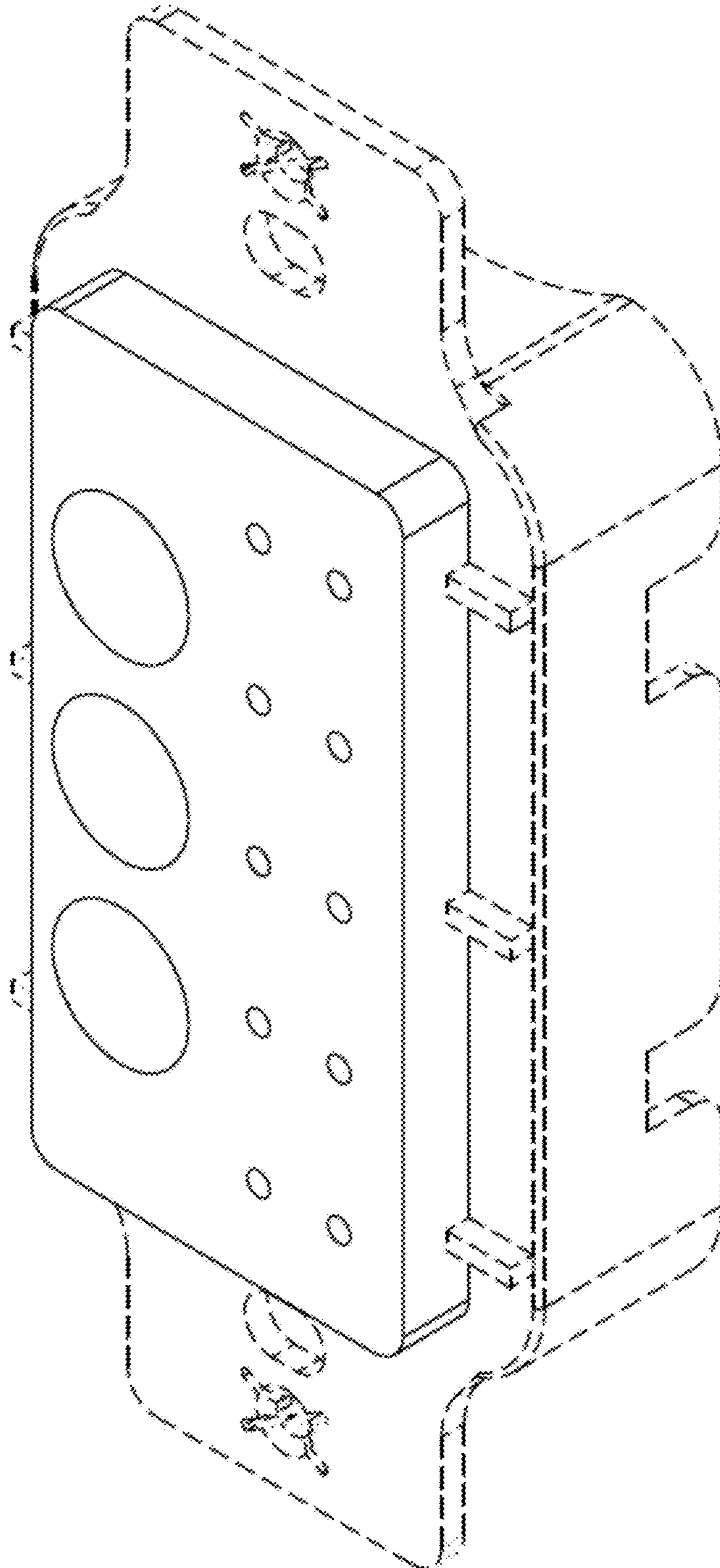


FIG. 2

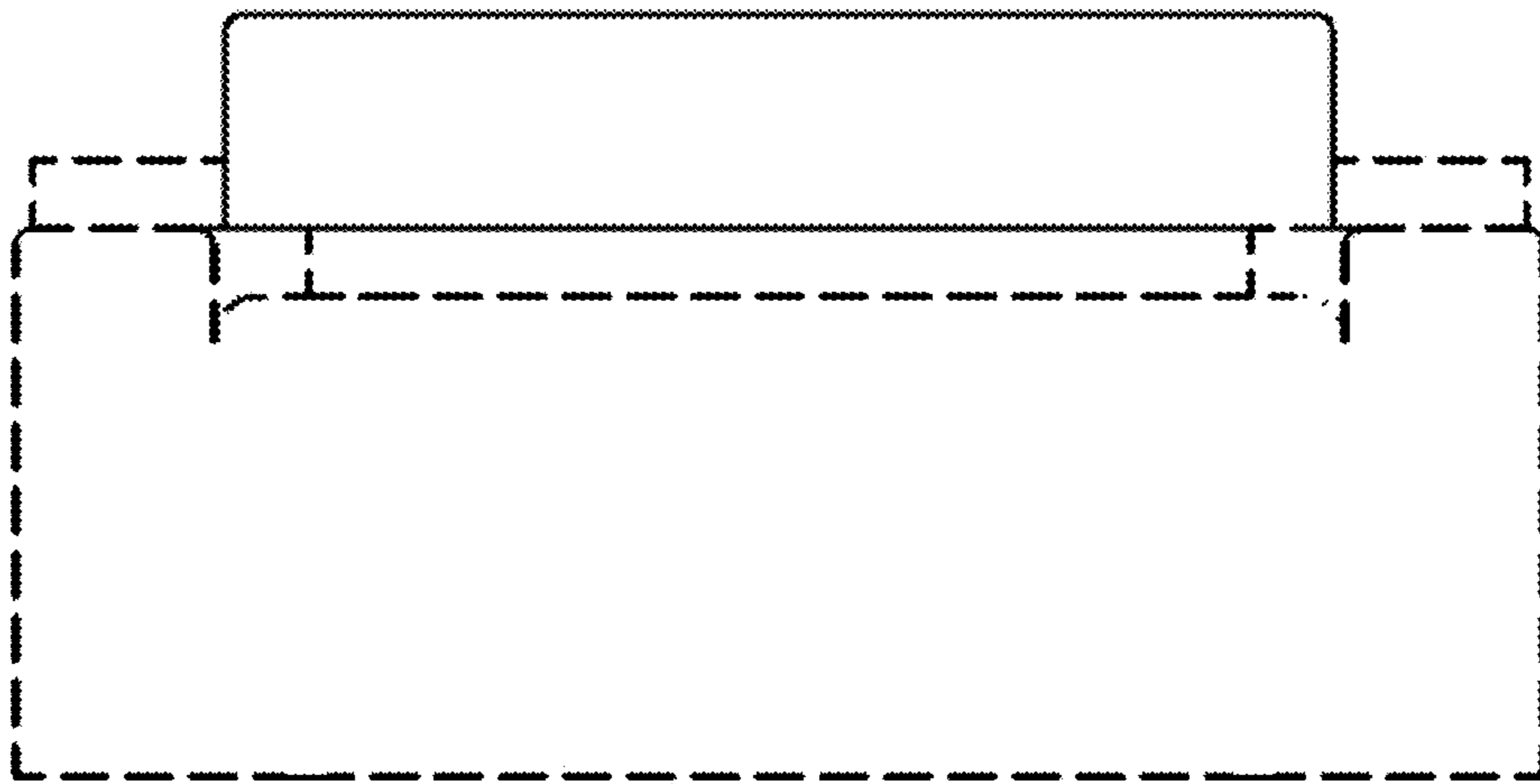


FIG. 3

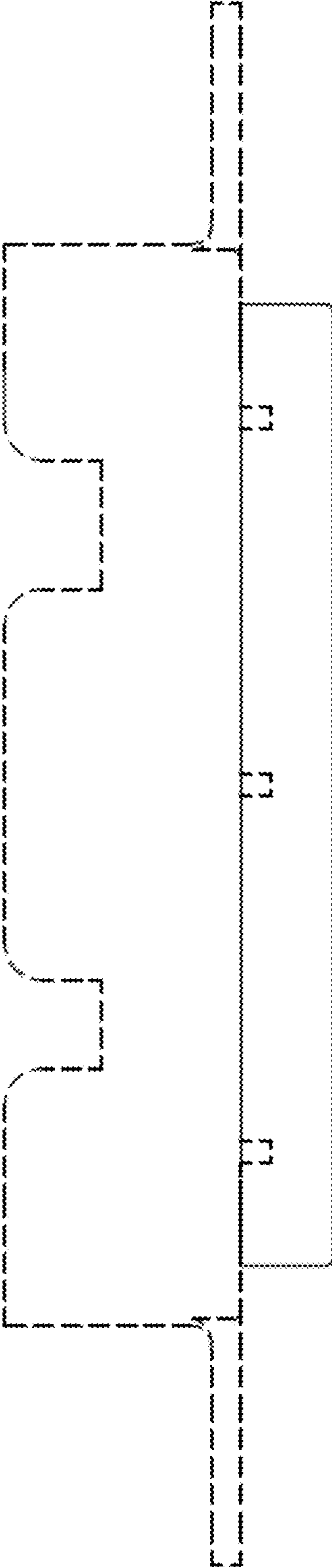


FIG. 4

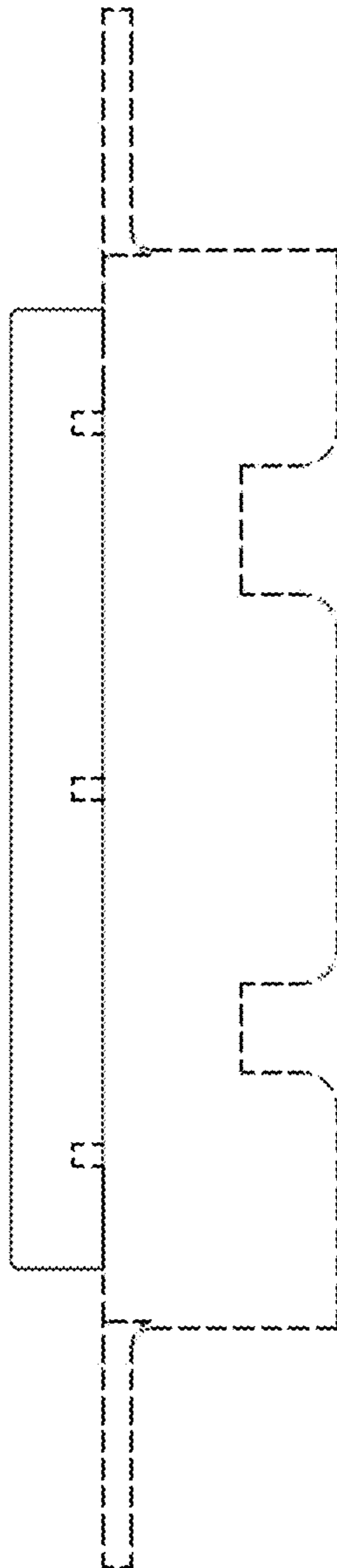


FIG. 5

