



US00D763800S

(12) **United States Design Patent**
Kim

(10) **Patent No.:** **US D763,800 S**

(45) **Date of Patent:** **** Aug. 16, 2016**

(54) **CONNECTOR FOR ELECTRONIC DEVICE**

D628,964 S * 12/2010 Mashima D13/147
D629,360 S * 12/2010 Hayashi D13/147
D645,825 S * 9/2011 Kurachi D13/147
D688,207 S * 8/2013 Nakajima D13/147

(71) Applicant: **UJU ELECTRONICS CO., LTD.**,
Hwaseong-si, Gyeonggi-do (KR)

* cited by examiner

(72) Inventor: **Do-Jun Kim**, Hwaseong-si (KR)

Primary Examiner — Daniel Bui

(73) Assignee: **UJU ELECTRONICS CO., LTD.**,
Gyeonggi-Do (KR)

(74) *Attorney, Agent, or Firm* — IPLA P.A.; James E. Bame

(**) Term: **15 Years**

(21) Appl. No.: **29/531,796**

(57) **CLAIM**

The ornamental design for a connector for electronic device,
as shown and described.

(22) Filed: **Jun. 30, 2015**

(30) **Foreign Application Priority Data**

Feb. 24, 2015 (KR) 30-2015-0009233

(51) **LOC (10) Cl.** **13-03**

(52) **U.S. Cl.**
USPC **D13/147**

(58) **Field of Classification Search**
USPC D13/118, 120, 133, 146, 147, 154, 184,
D13/199
See application file for complete search history.

DESCRIPTION

FIG. 1 is a perspective view of a connector for electronic device showing my new design;
FIG. 2 is a front elevational view thereof;
FIG. 3 is a rear elevational view thereof;
FIG. 4 is a left side elevational view thereof;
FIG. 5 is a right side elevational view thereof;
FIG. 6 is a top plan view thereof; and,
FIG. 7 is a bottom plan view thereof.
The broken line represents unclaimed environment only, and forms no part of the claimed design.

(56) **References Cited**

U.S. PATENT DOCUMENTS

D626,511 S * 11/2010 Nakajima D13/147

1 Claim, 2 Drawing Sheets

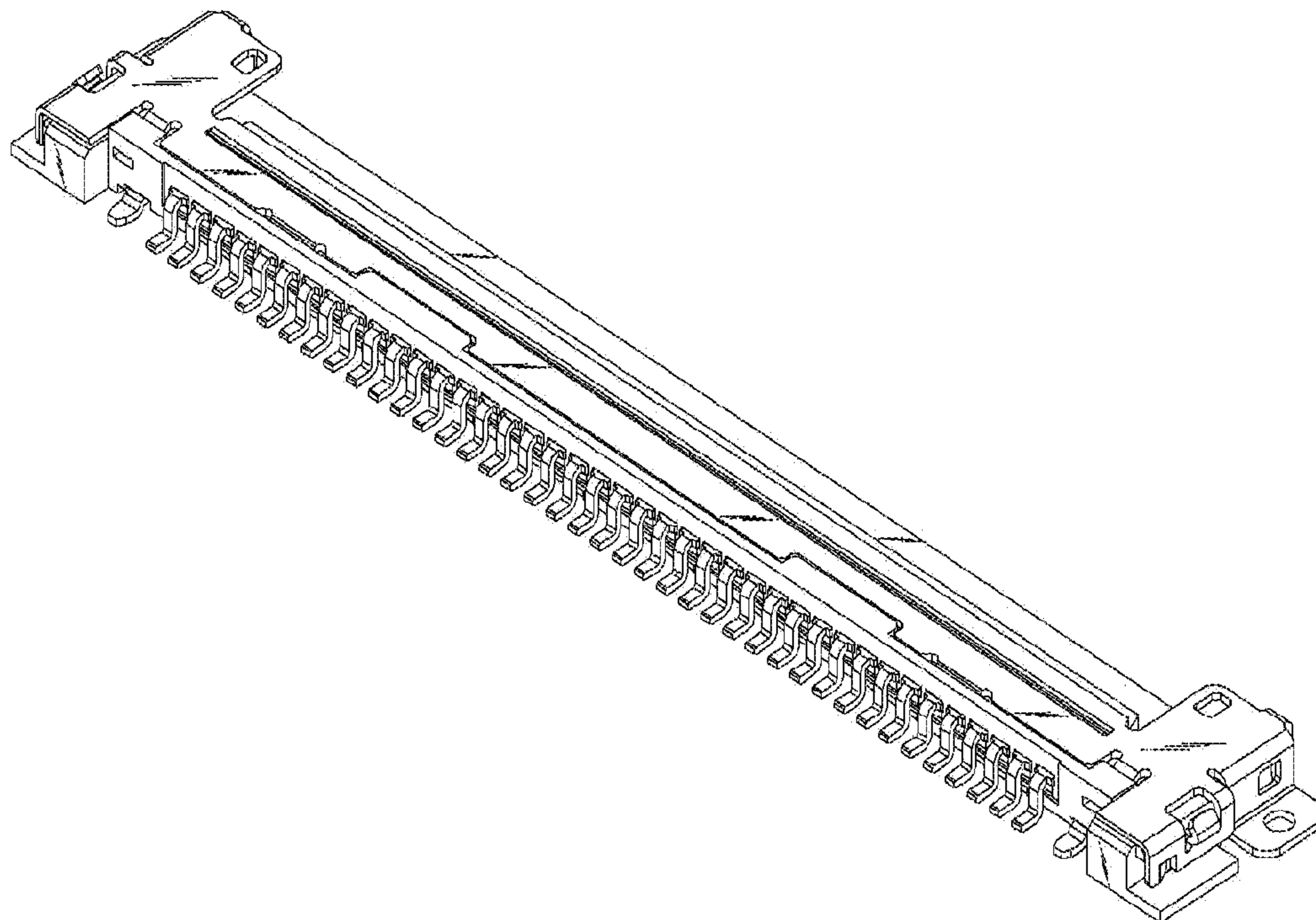


FIG. 1

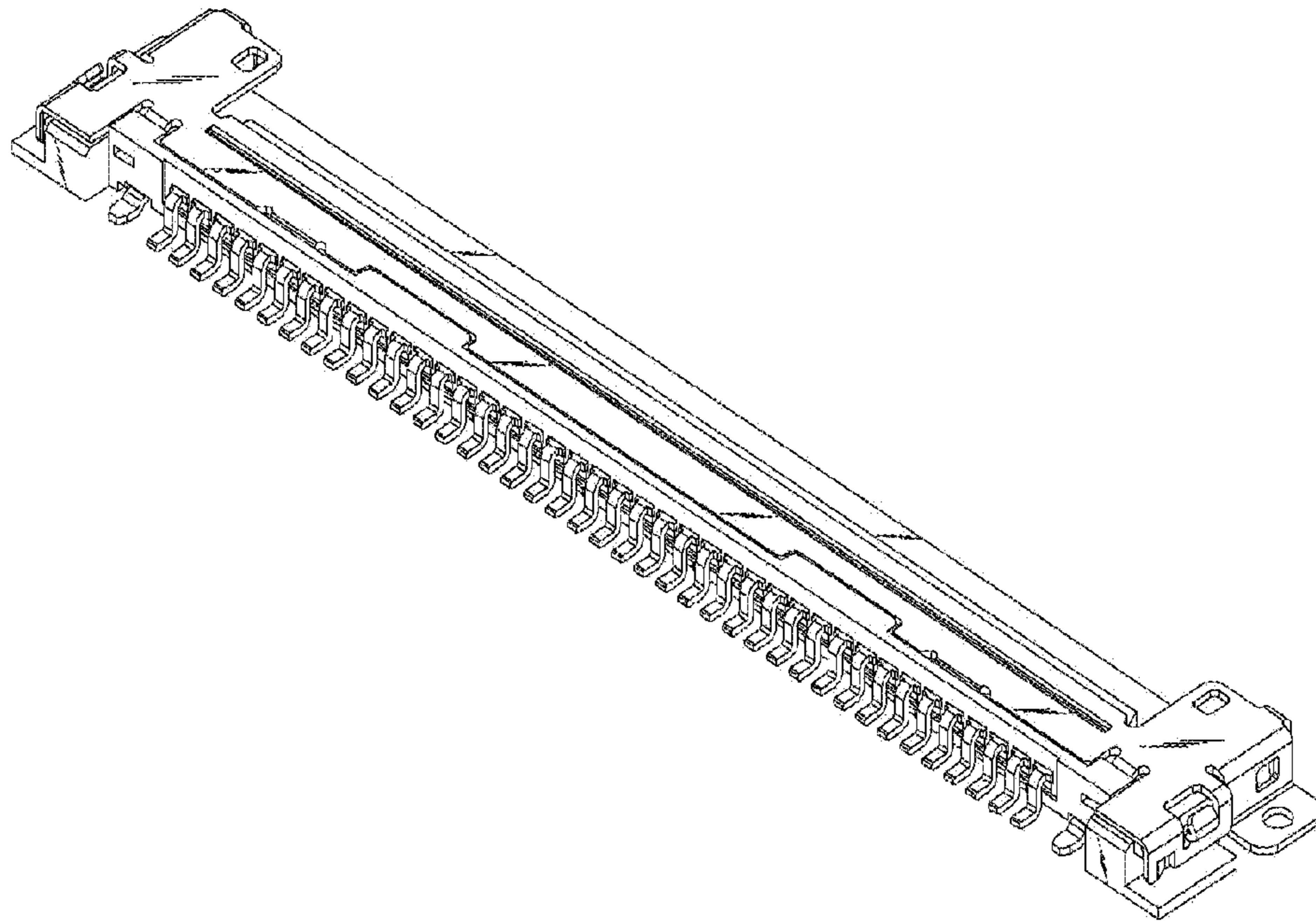


FIG. 2



FIG. 3



FIG. 4

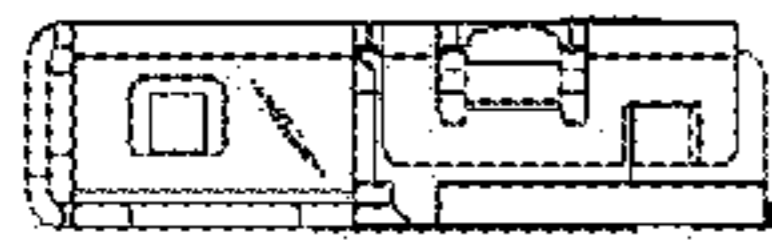


FIG. 5



FIG. 6

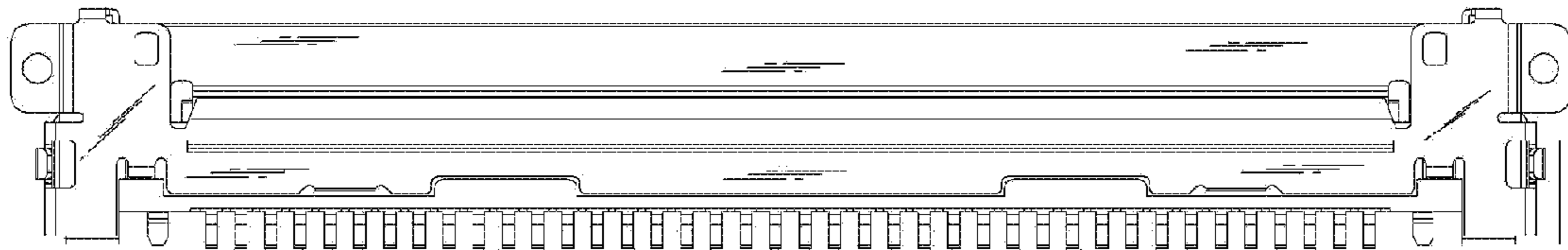


FIG. 7

