



US00D763799S

(12) **United States Design Patent**
Mennekes

(10) **Patent No.:** **US D763,799 S**

(45) **Date of Patent:** **** Aug. 16, 2016**

(54) **SOCKET**

(71) Applicant: **AMAD Mennekes Holding GmbH & Co. KG**, Kirchhundem (DE)

(72) Inventor: **Christopher Mennekes**, Kirchhundem (DE)

(73) Assignee: **AMAD MENNEKES HOLDING GMBH & CO. KG**, Kirchhundem (DE)

(**) Term: **14 Years**

(21) Appl. No.: **29/493,073**

(22) Filed: **Jun. 5, 2014**

(30) **Foreign Application Priority Data**

Dec. 5, 2013 (WO) DM/082 547

(51) **LOC (10) Cl.** **13-03**

(52) **U.S. Cl.**
USPC **D13/147**

(58) **Field of Classification Search**
USPC D13/133, 146, 147, 154, 184, 199
See application file for complete search history.

(56) **References Cited**

U.S. PATENT DOCUMENTS

D260,886 S *	9/1981	Taylor	D14/314
D575,287 S *	8/2008	Miyashita	D14/426
D716,369 S *	10/2014	Park	D18/4.4
D716,370 S *	10/2014	Park	D18/4.4
D716,371 S *	10/2014	Lee	D18/4.4

* cited by examiner

Primary Examiner — Daniel Bui

(74) *Attorney, Agent, or Firm* — Henry M Feiereisen LLC

(57) **CLAIM**

The ornamental design for a socket, as shown and described.

DESCRIPTION

The patent or application file contains at least one drawing executed in color. Copies of this patent or patent application publication with color drawing(s) will be provided by the Office upon request and payment of the necessary fee.

FIG. 1 is a front and left side perspective view of a first embodiment of a socket, showing my new design;

FIG. 2 is a front view thereof;

FIG. 3 is a rear view thereof;

FIG. 4 is a left side view thereof;

FIG. 5 is a right side view thereof;

FIG. 6 is a top view thereof;

FIG. 7 is a bottom view thereof;

FIG. 8 is a front and left side perspective view of a second embodiment of a socket, showing my new design;

FIG. 9 is a front view thereof;

FIG. 10 is a rear view thereof;

FIG. 11 is a left side view thereof, the right side being a mirror image of the left side view;

FIG. 12 is a top view thereof; and,

FIG. 13 is a bottom view thereof.

The broken line portion of the figure drawings is included to show unclaimed subject matter only and forms no part of the claimed design.

1 Claim, 7 Drawing Sheets
(3 of 7 Drawing Sheet(s) Filed in Color)

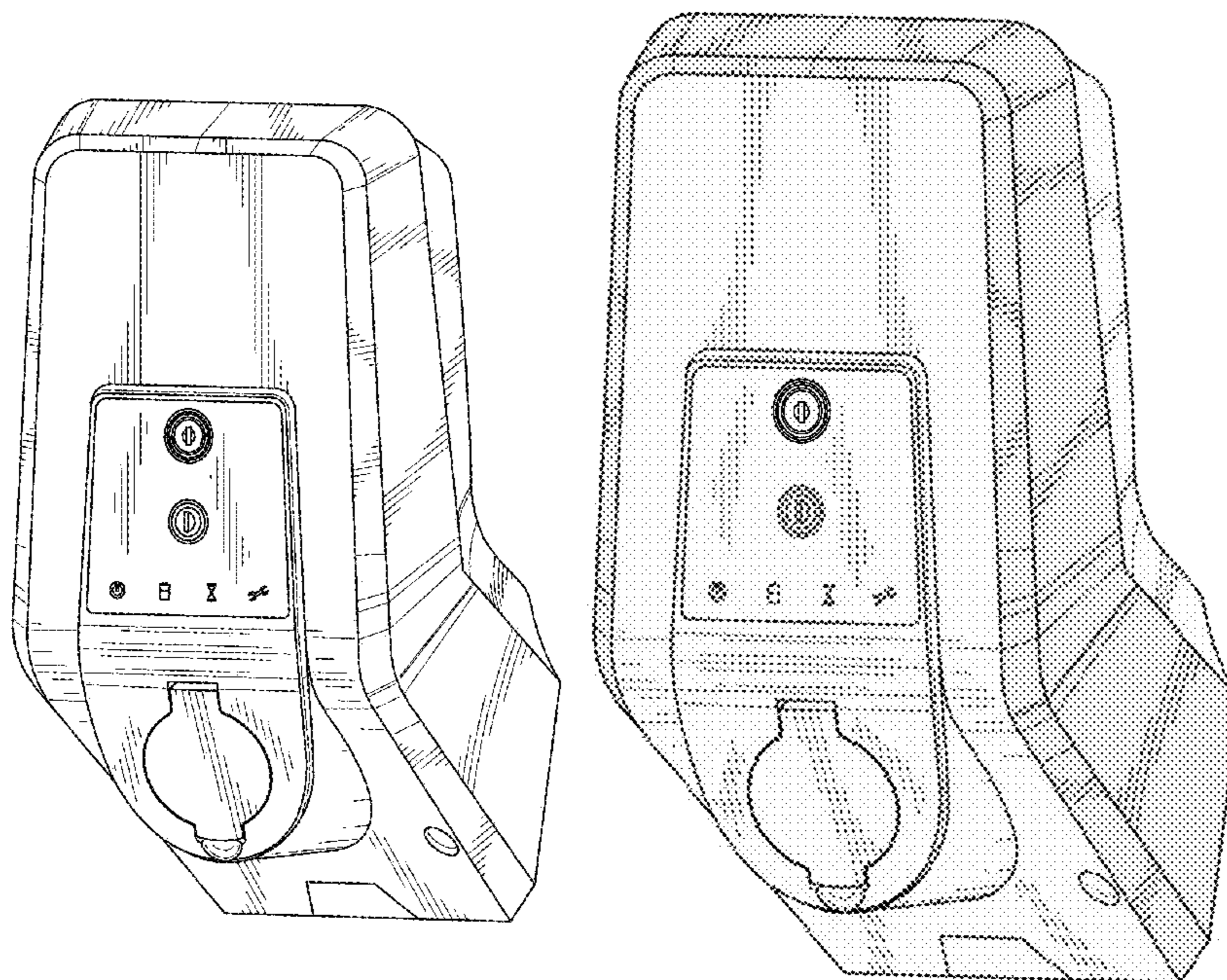


FIG. 1

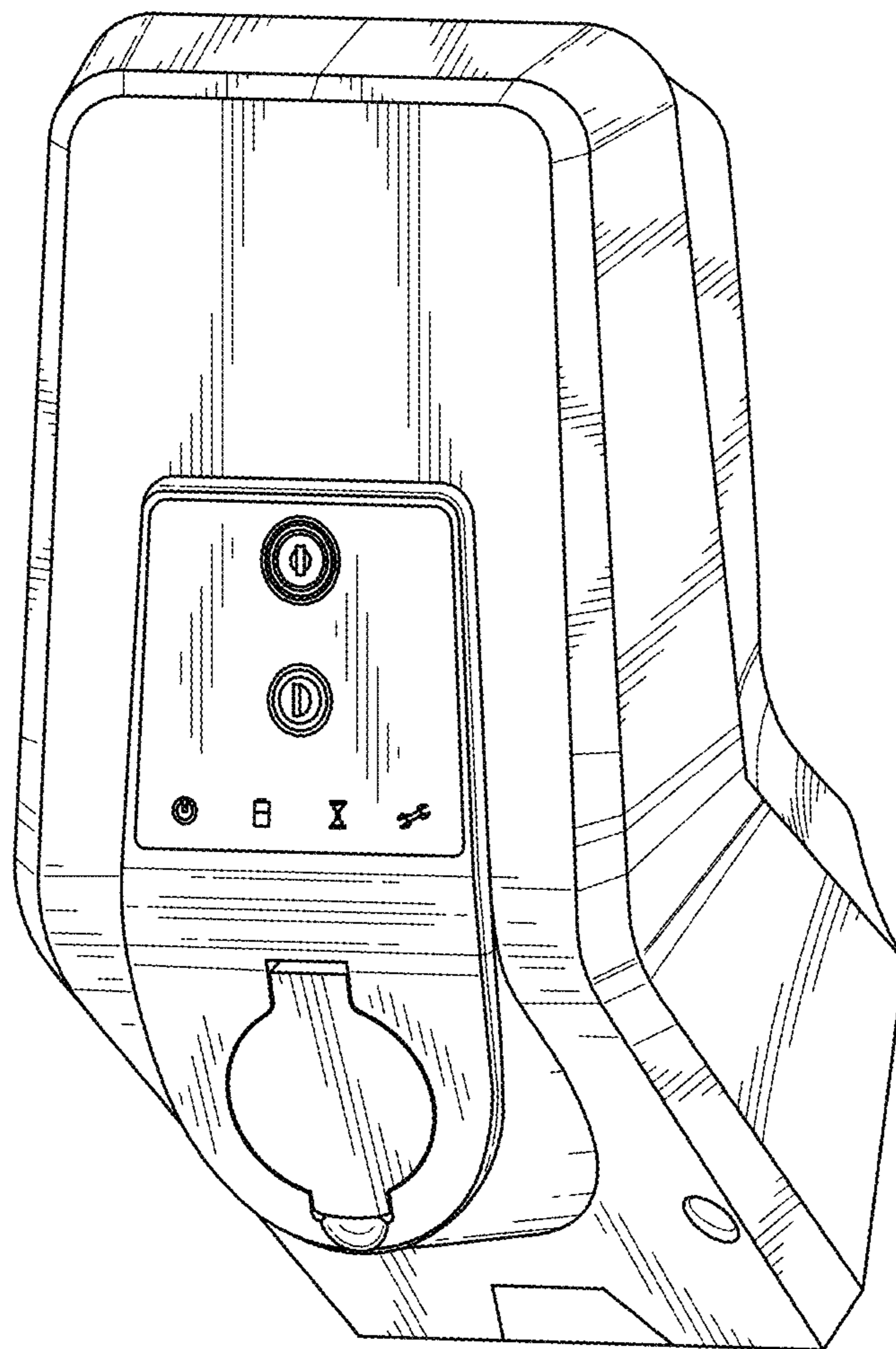


FIG. 3

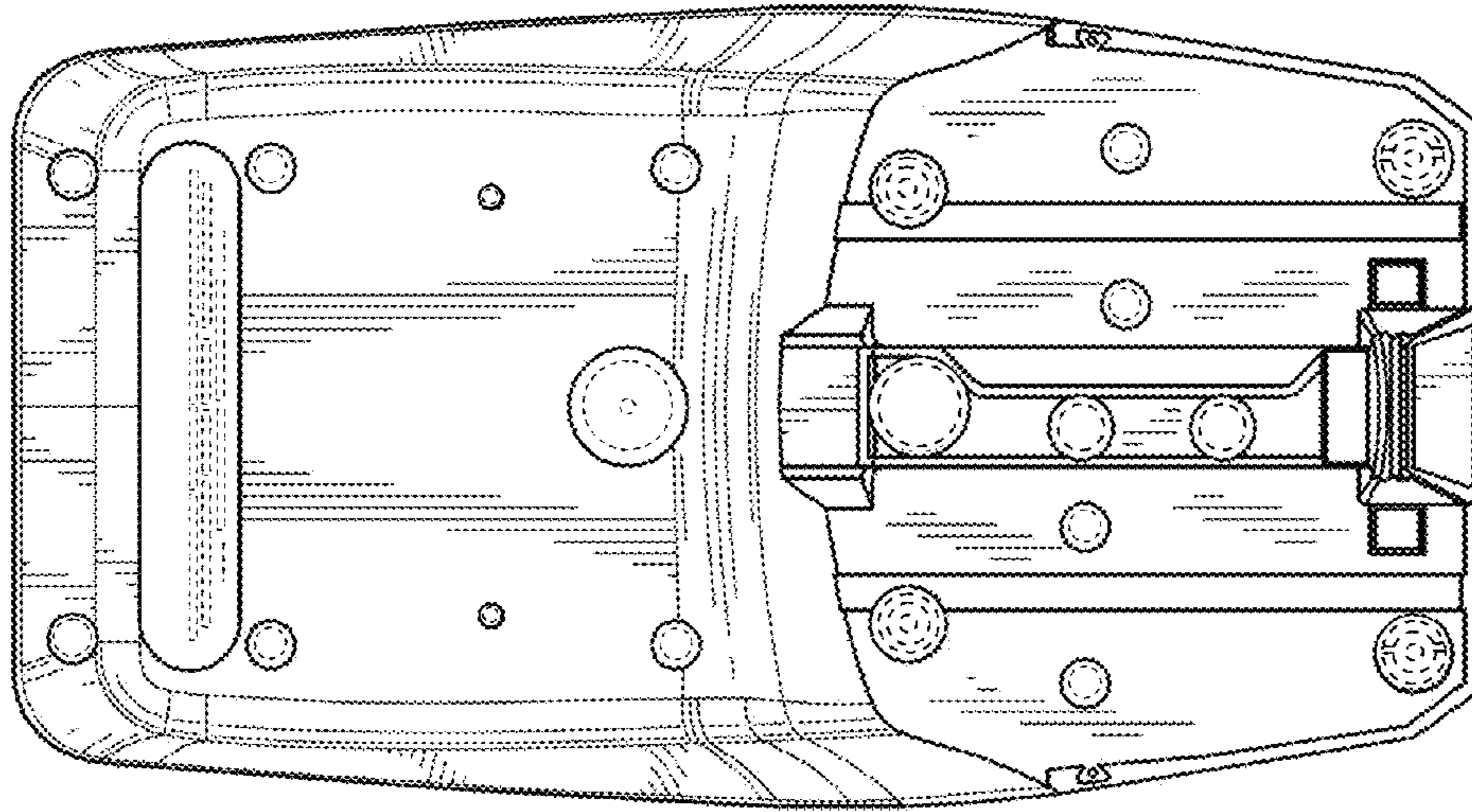


FIG. 2

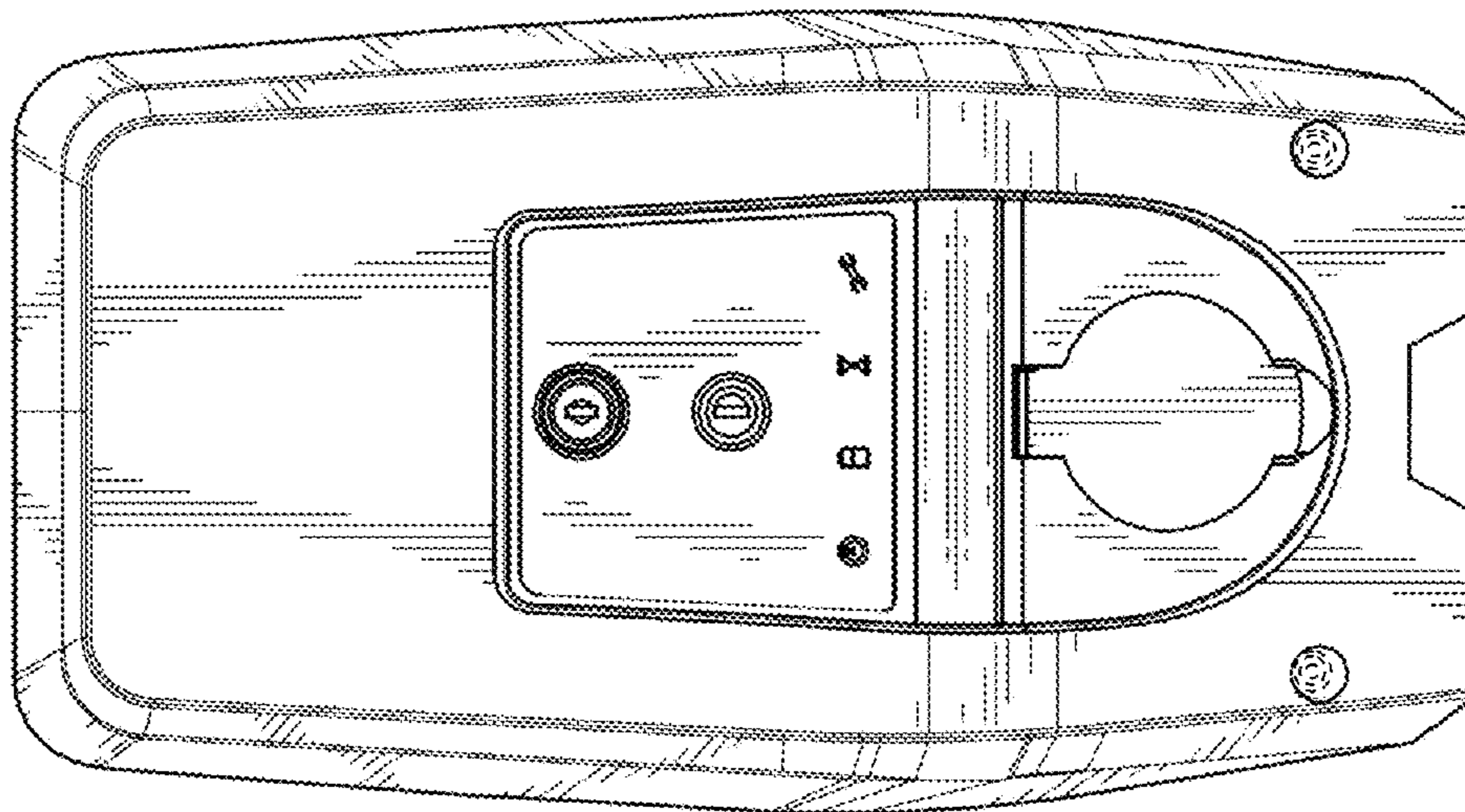


FIG. 5

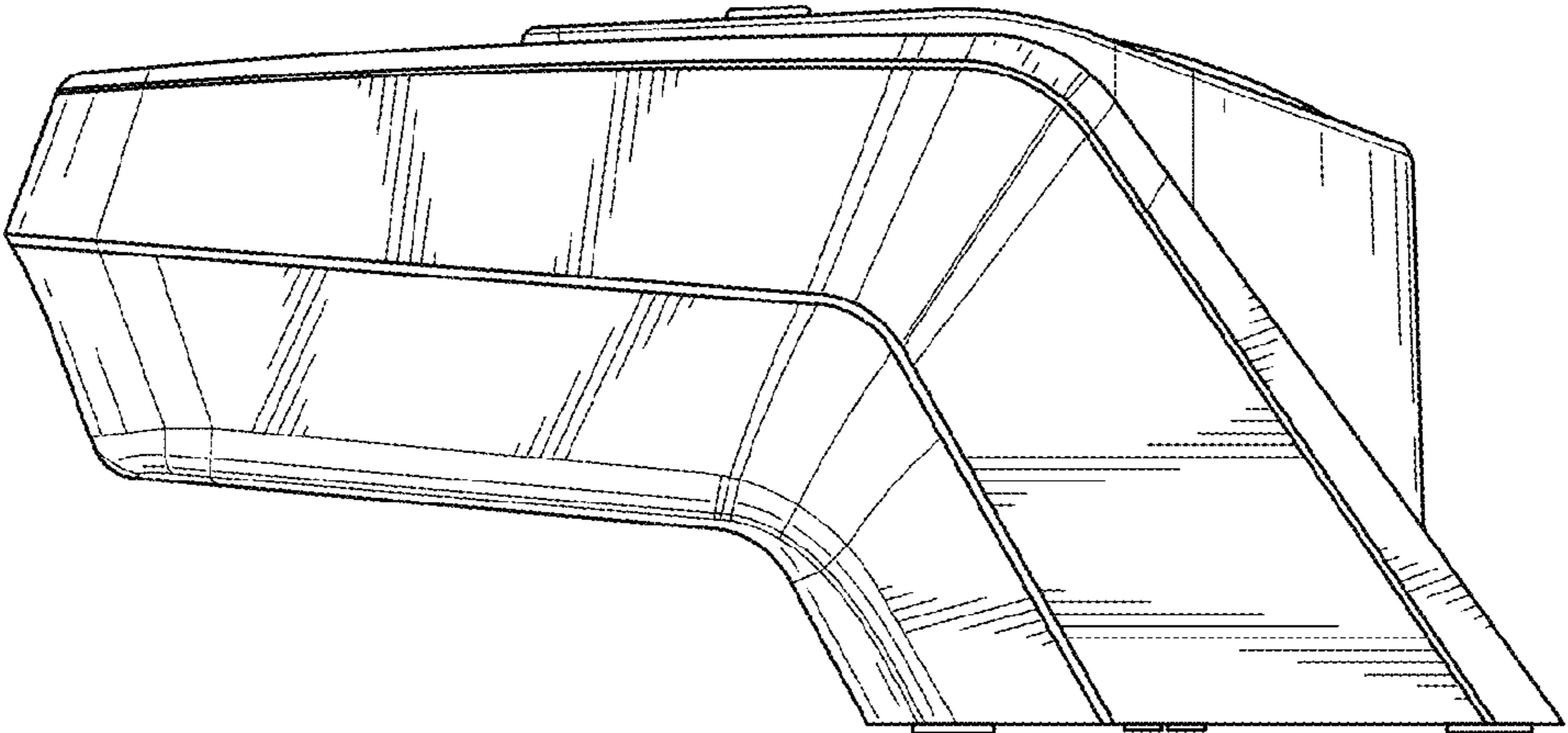


FIG. 4

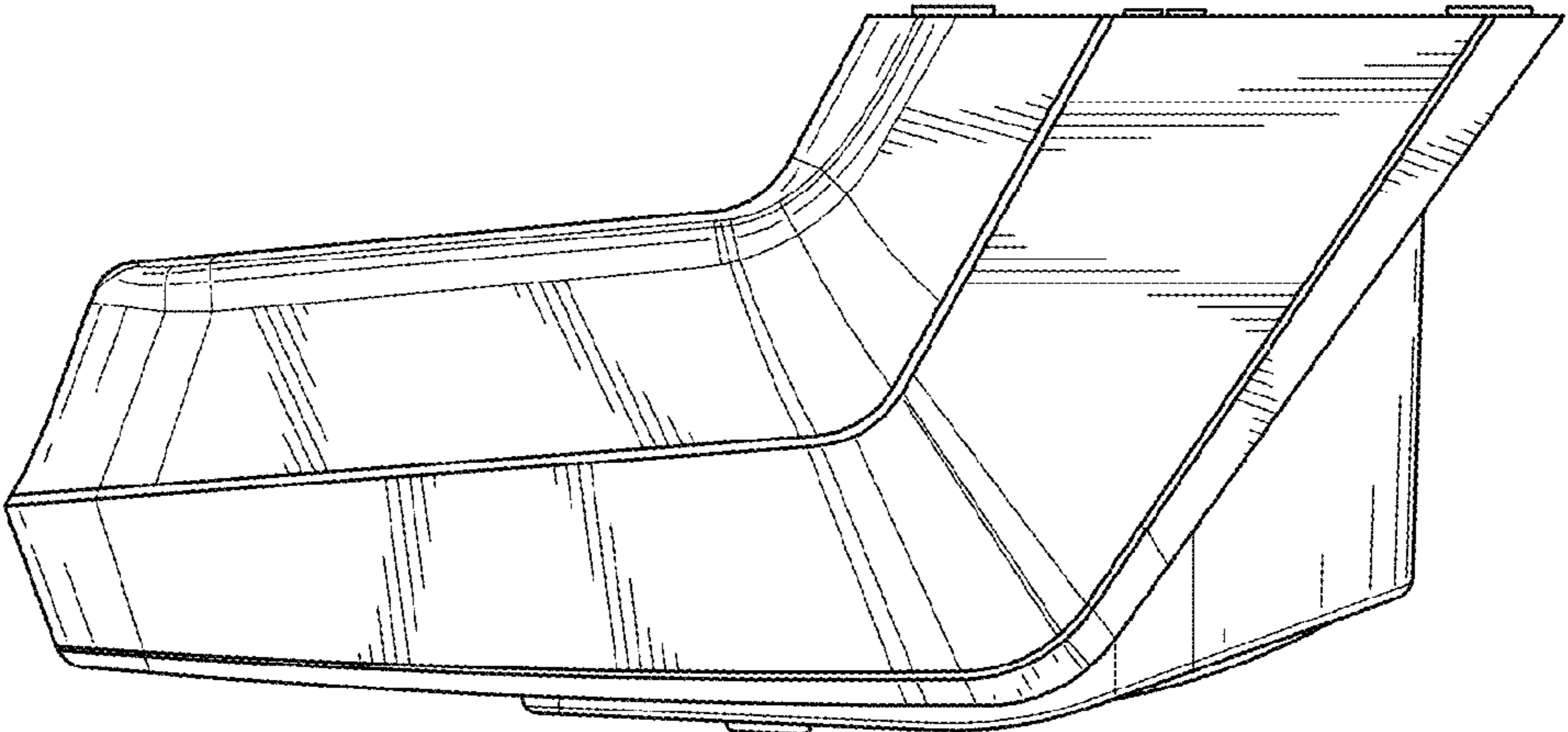


FIG. 6

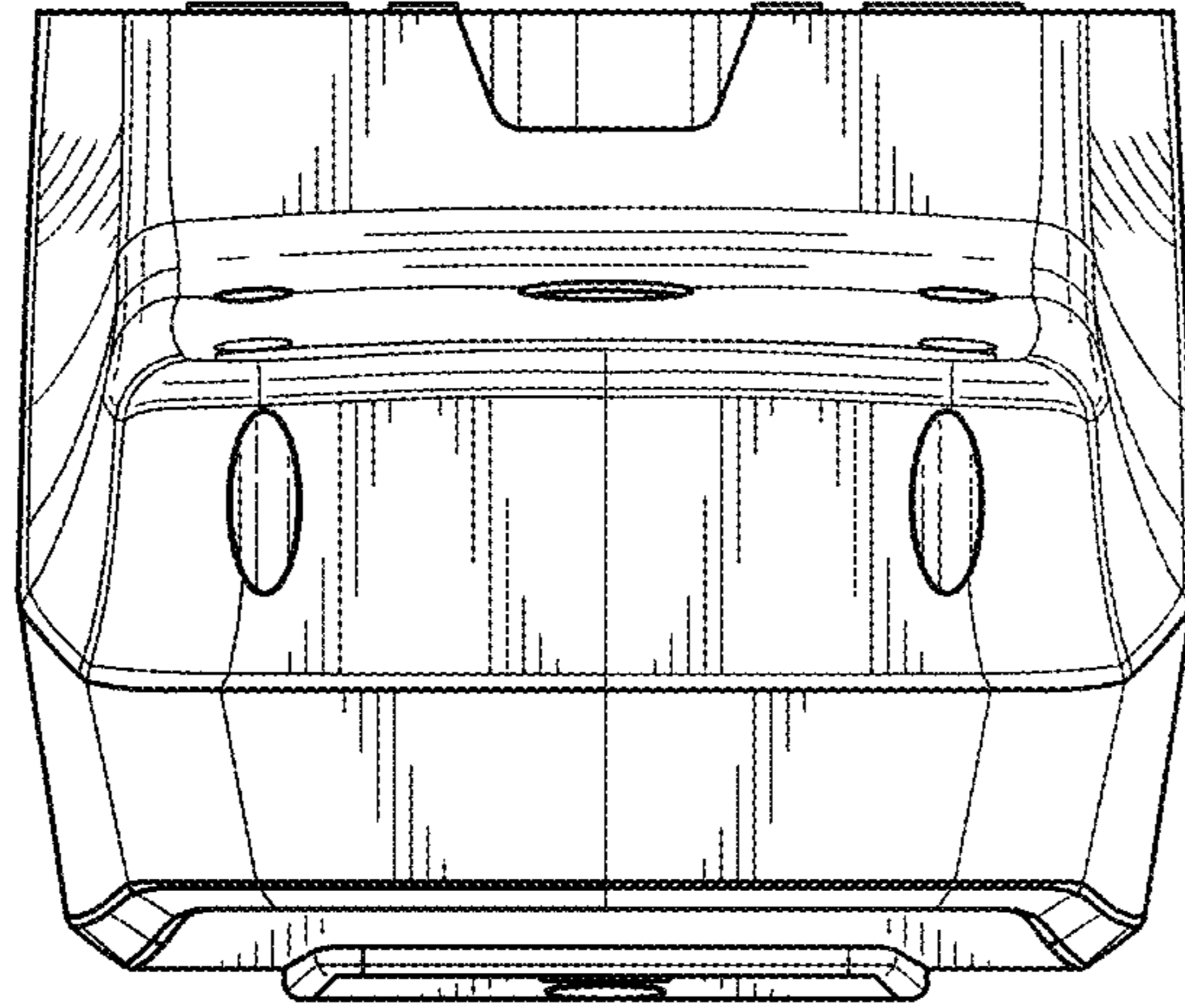


FIG. 7

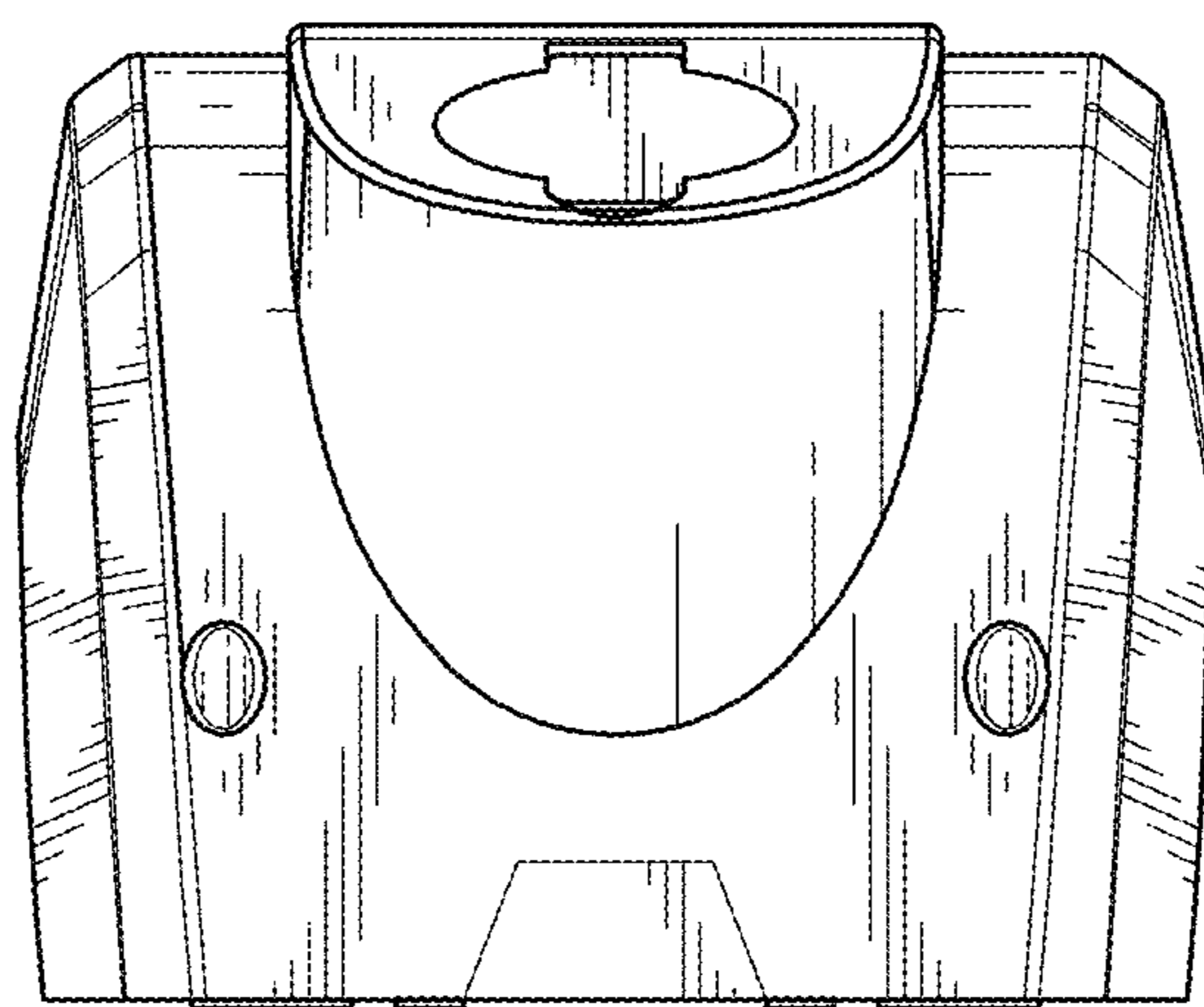


FIG. 9

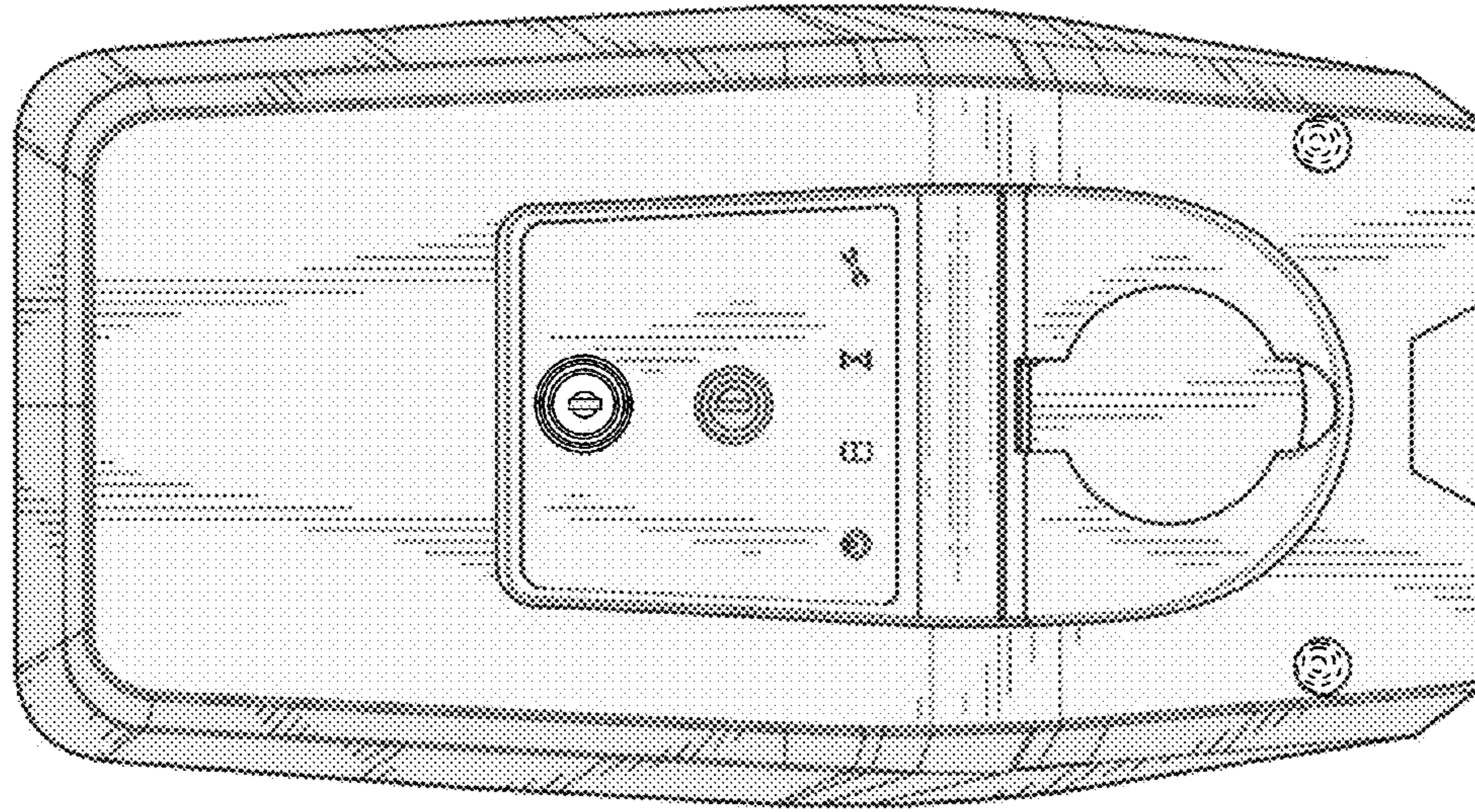


FIG. 8

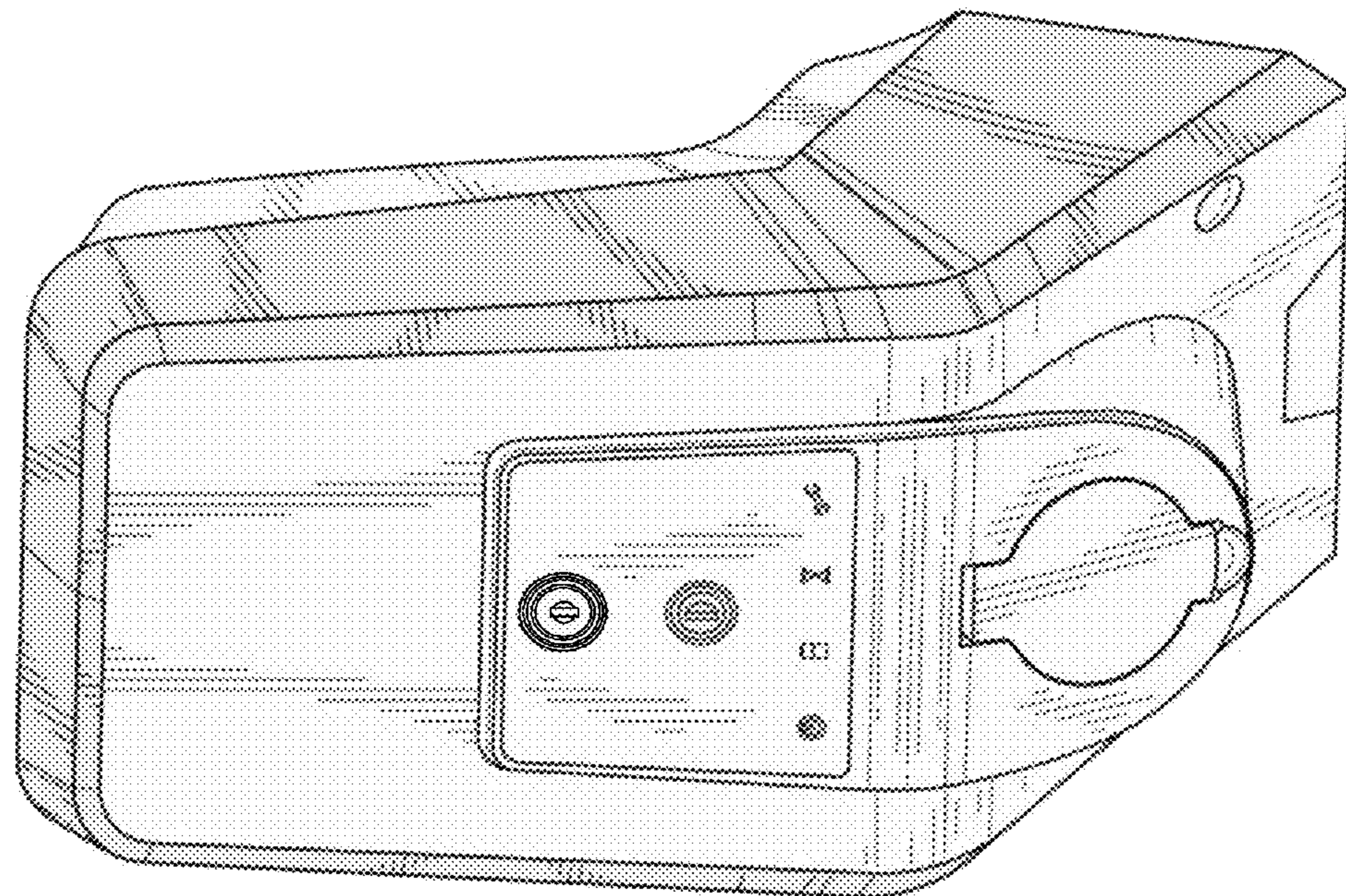


FIG. 11

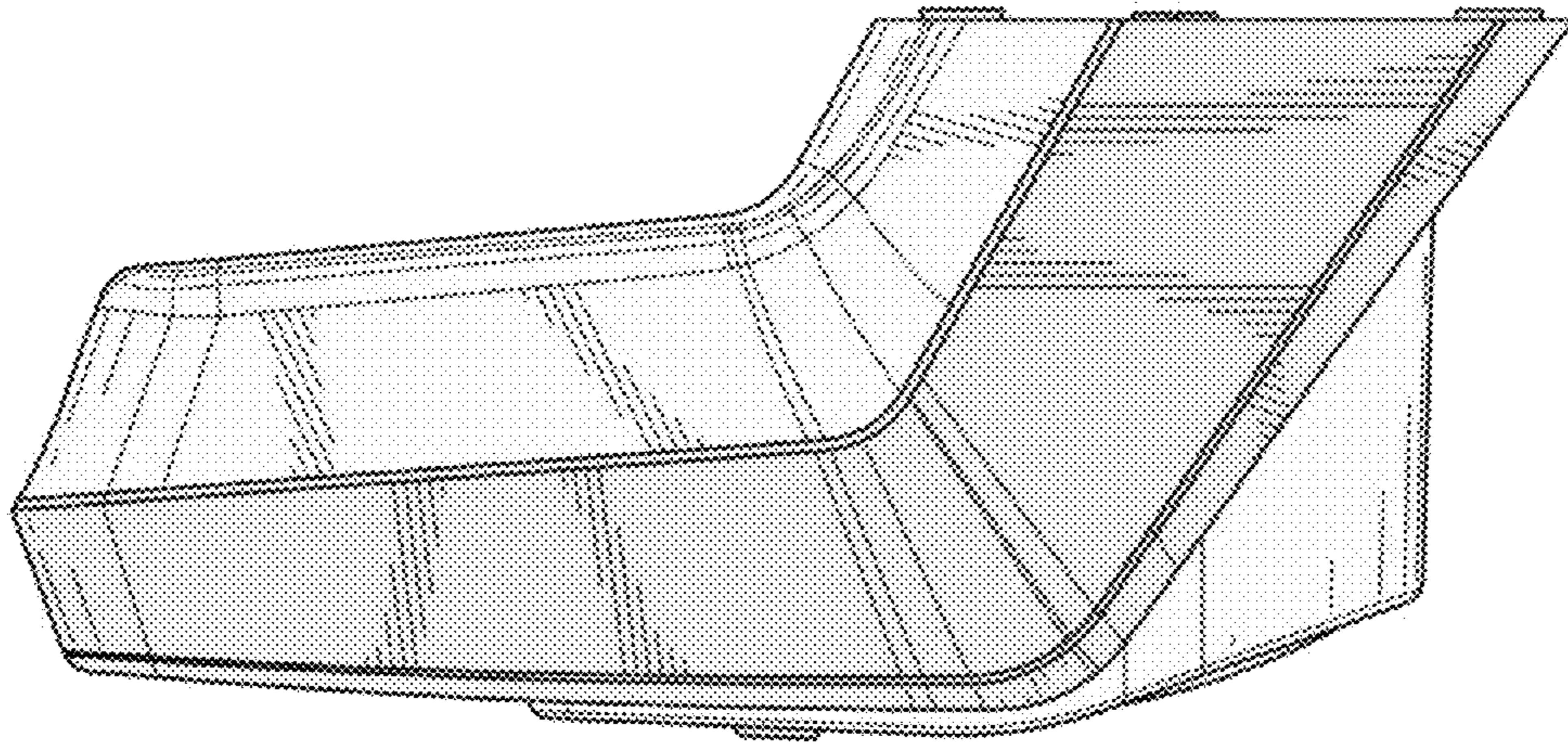


FIG. 10

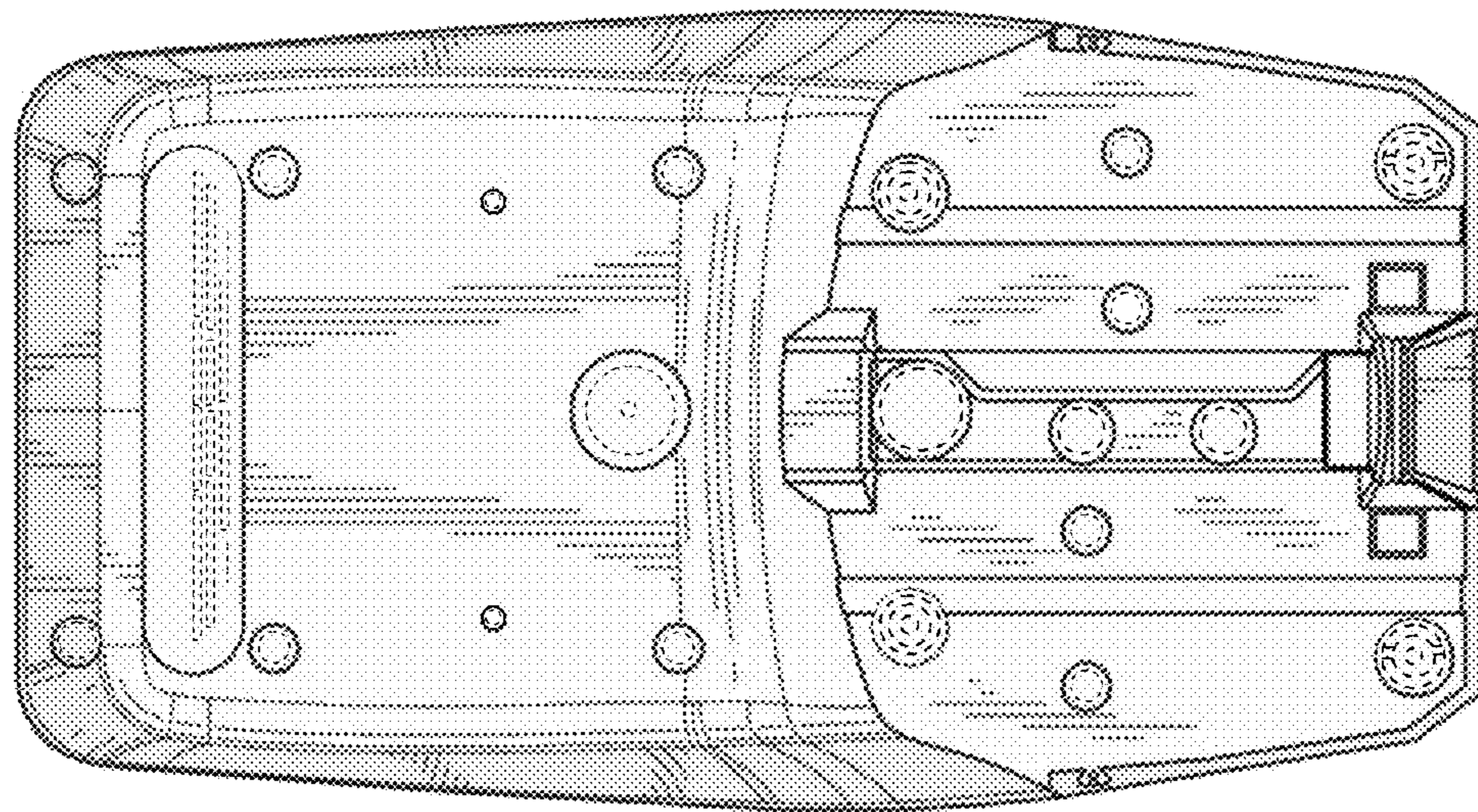


FIG. 12

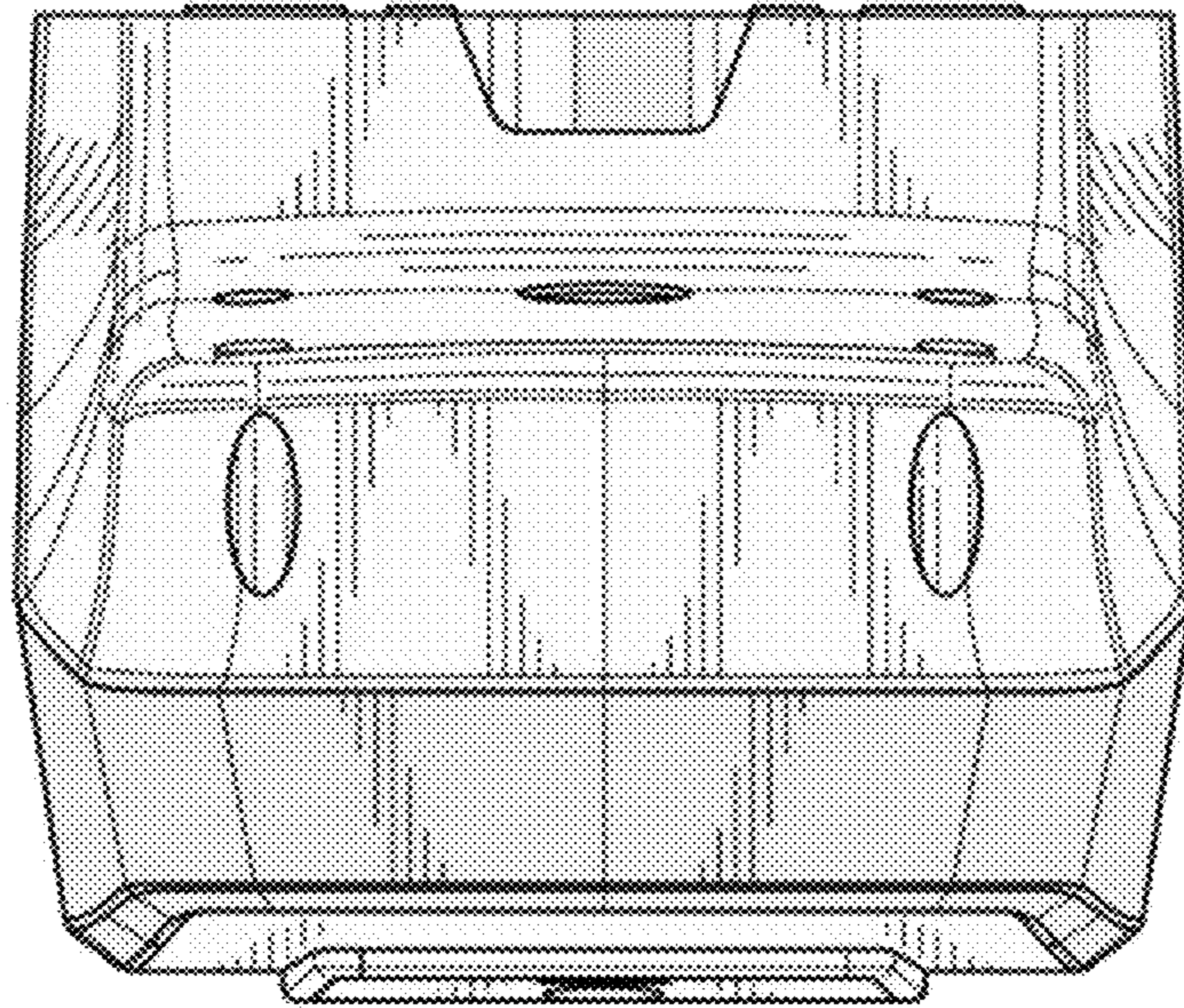


FIG. 13

