

US00D763797S

(12) **United States Design Patent**
Xu

(10) **Patent No.:** **US D763,797 S**

(45) **Date of Patent:** **** Aug. 16, 2016**

(54) **POWER STRIP**

(71) Applicant: **ZHEJIANG AMP ORIENT IM P & EXP CO., LTD**, Hangzhou (CN)

(72) Inventor: **JunJie Xu**, Hangzhou (CN)

(73) Assignee: **ZHEJIANG AMP ORIENT IMP & EXP CO., LTD**, Hangzhou (CN)

(**) Term: **14 Years**

(21) Appl. No.: **29/517,025**

(22) Filed: **Feb. 9, 2015**

(30) **Foreign Application Priority Data**

Aug. 8, 2014 (CN) 2014 3 0279413

(51) **LOC (10) Cl.** **13-03**

(52) **U.S. Cl.**
USPC **D13/137.2**

(58) **Field of Classification Search**
USPC D13/137.1–137.4, 138.1–138.2,
D13/139.1–139.8, 110, 108, 162, 152;
D24/186; 363/143, 146; 439/131
CPC ... H01R 13/6675; H01R 13/44; H01R 31/065
See application file for complete search history.

(56) **References Cited**

U.S. PATENT DOCUMENTS

- D420,643 S * 2/2000 Yu D13/139.8
- D442,916 S * 5/2001 Tong D13/137.2
- D467,552 S * 12/2002 Mori D13/154
- D467,875 S * 12/2002 Barger D13/139.8
- D473,190 S * 4/2003 Fan D13/139.8
- D486,126 S * 2/2004 Aromin D13/137.2
- D636,345 S * 4/2011 Cullen D13/137.4

- D642,982 S * 8/2011 Shi D13/139.1
- D663,691 S * 7/2012 Magee, Jr. D13/139.8
- D666,556 S * 9/2012 Byrne D13/139.4
- D673,503 S * 1/2013 Lee D13/139.8
- D674,349 S * 1/2013 Lee D13/139.8
- 8,376,782 B2 * 2/2013 Govekar H01R 25/006
439/502
- D682,214 S * 5/2013 Miller D13/139.8
- D682,789 S * 5/2013 Au D13/137.3
- D684,119 S * 6/2013 Barzman D13/137.2
- D685,741 S * 7/2013 Byrne D13/139.7
- D686,574 S * 7/2013 Miller D13/139.8
- D692,837 S * 11/2013 Knapp D13/139.2
- D701,834 S * 4/2014 Lee D13/137.2
- D705,732 S * 5/2014 Lee D13/137.2
- D715,225 S * 10/2014 Mininger D13/139.4

* cited by examiner

Primary Examiner — Holly Baynham

Assistant Examiner — Rhea Shields

(74) *Attorney, Agent, or Firm* — Hamre, Schumann, Mueller & Larson, P.C.

(57) **CLAIM**

The ornamental design for a power strip, as shown and described.

DESCRIPTION

FIG. 1 is a front view of a power strip, showing my new design;

FIG. 2 is a left side view view thereof;

FIG. 3 is a right side view view thereof;

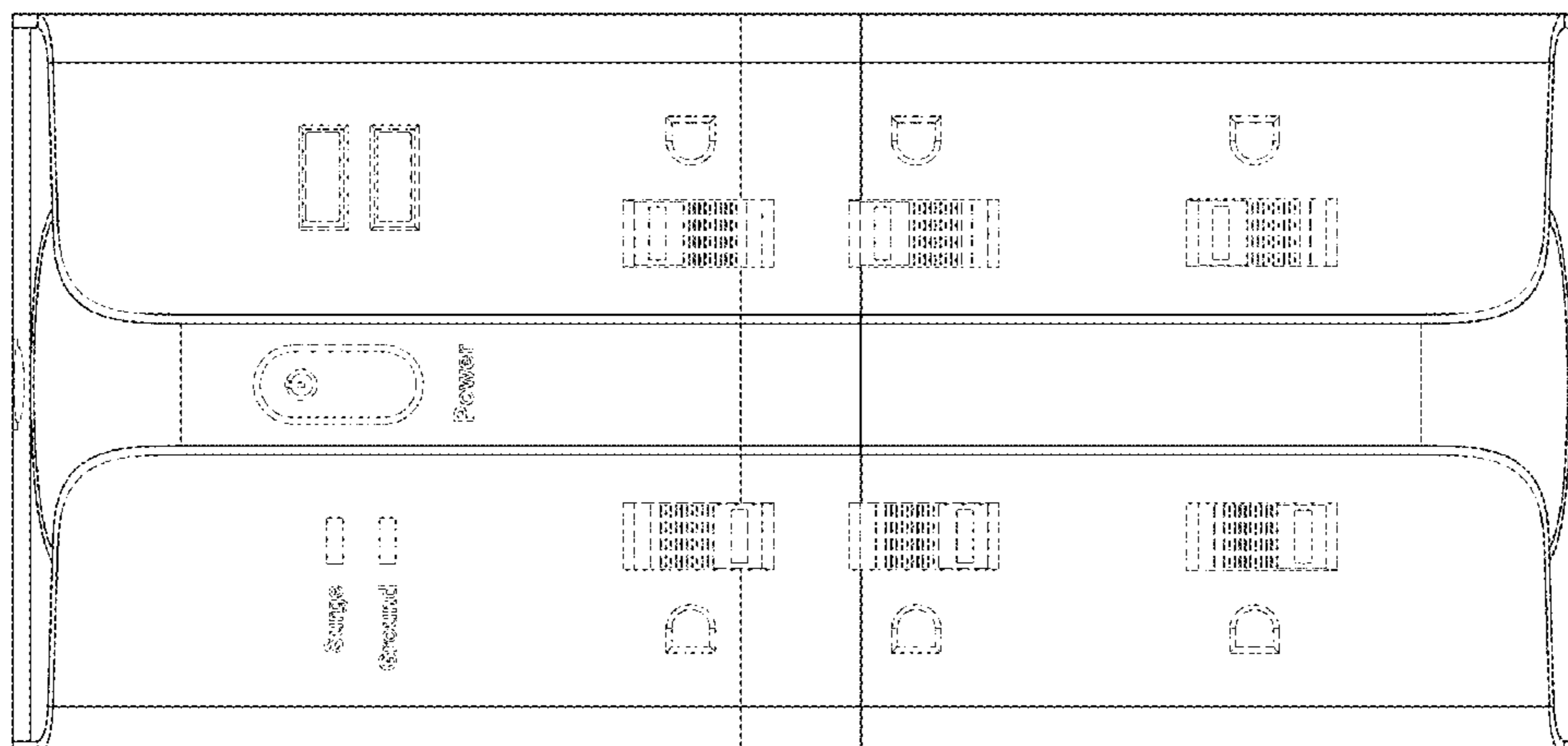
FIG. 4 is a top view thereof;

FIG. 5 is a bottom view thereof; and,

FIG. 6 is a rear view thereof.

In the drawings, the broken lines are for the purpose of illustrating environment only and form no part of the claimed design.

1 Claim, 6 Drawing Sheets



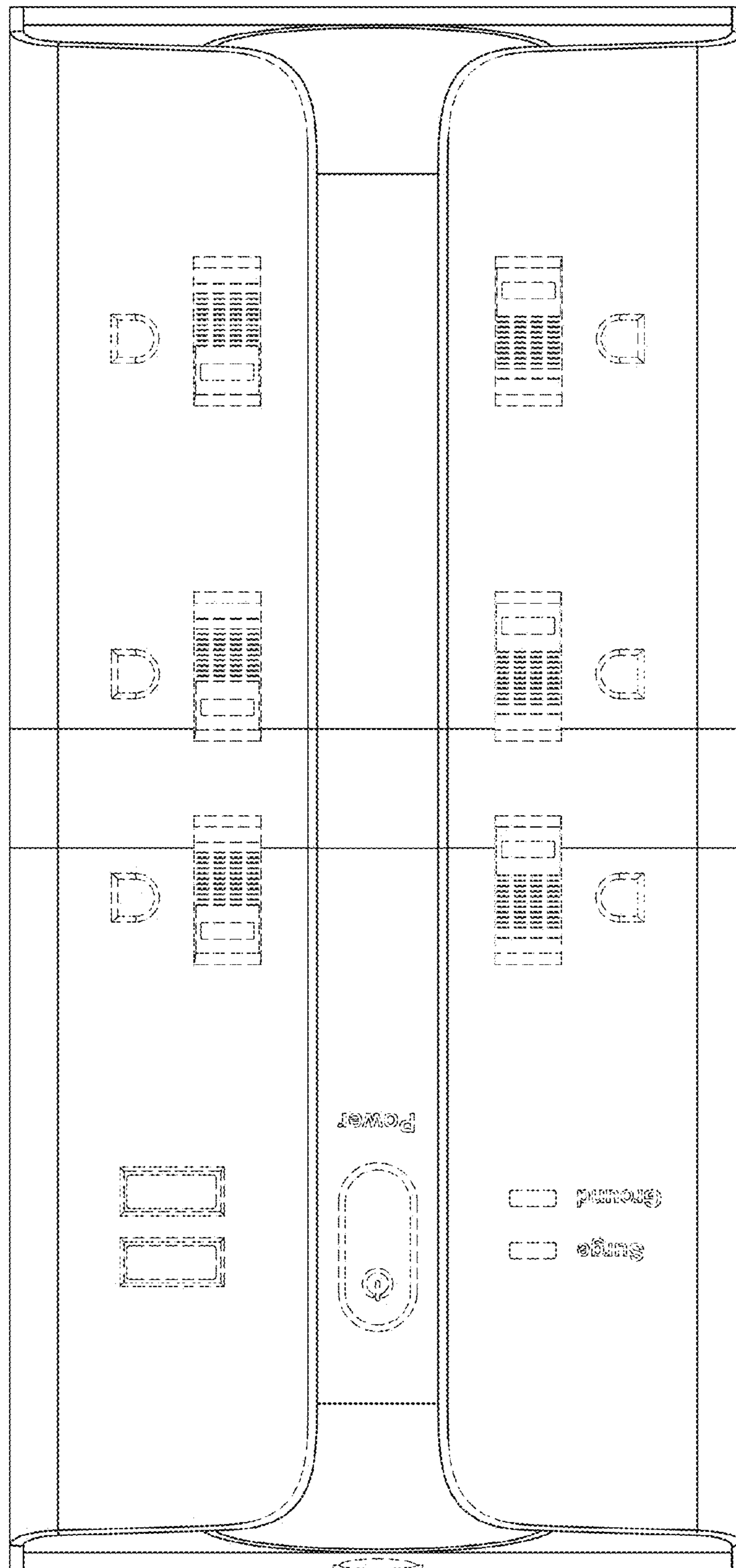


Fig. 1

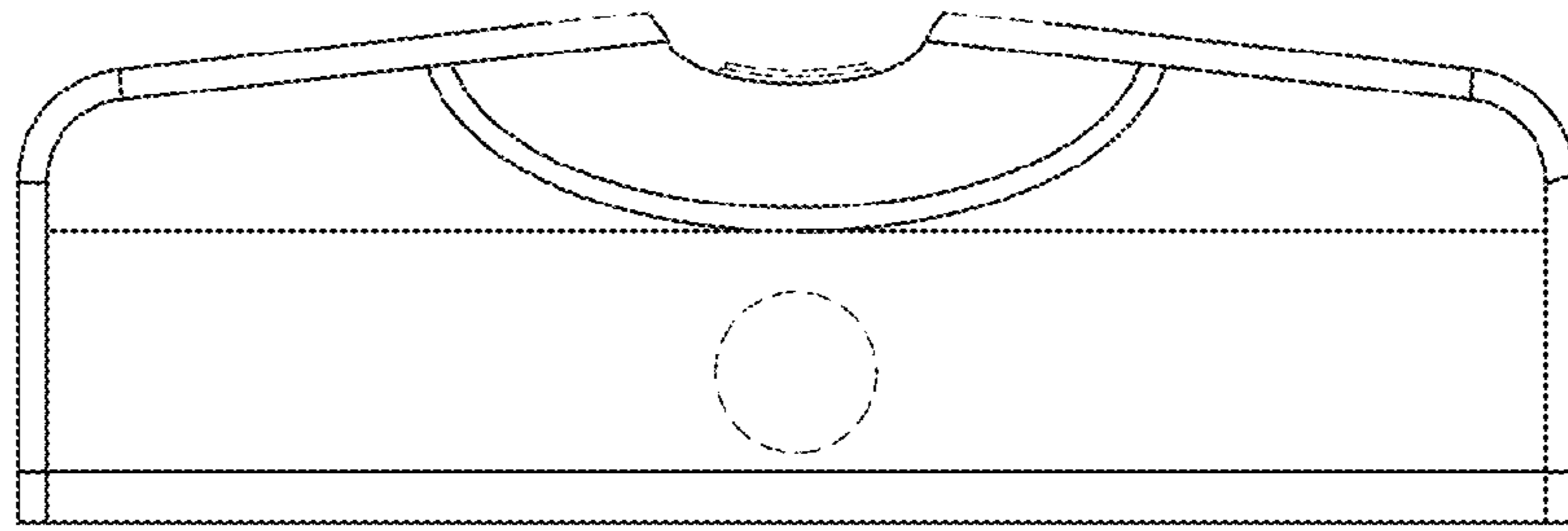


Fig. 2

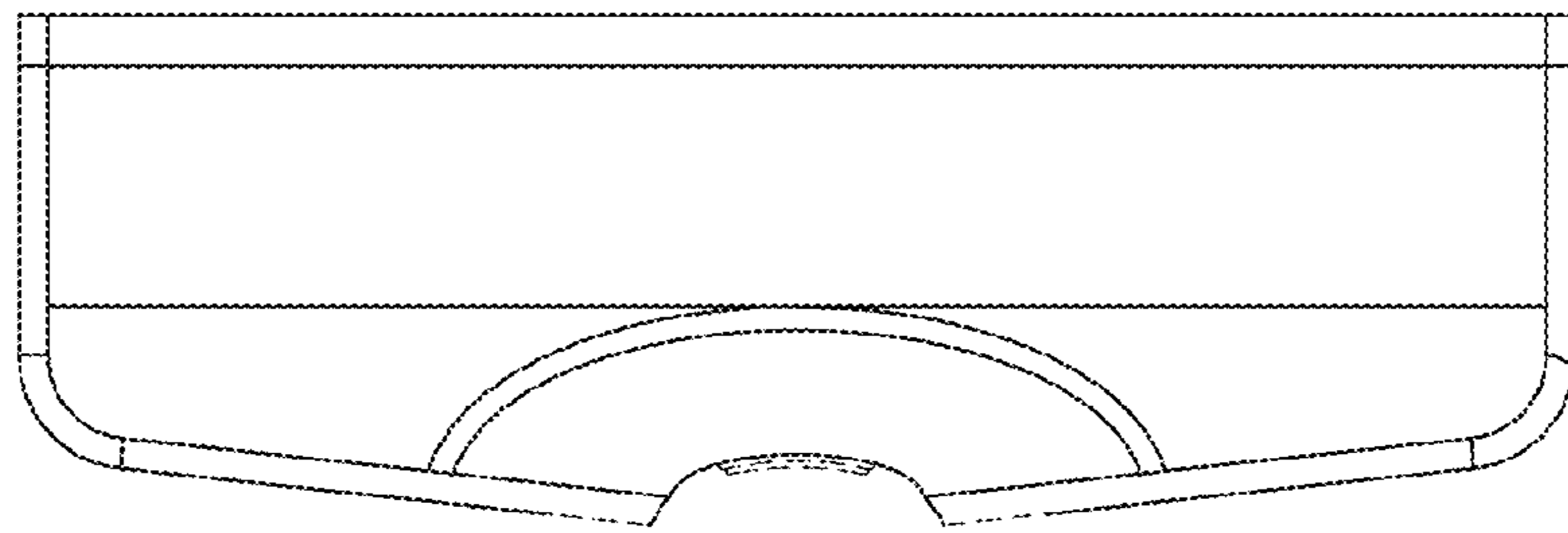
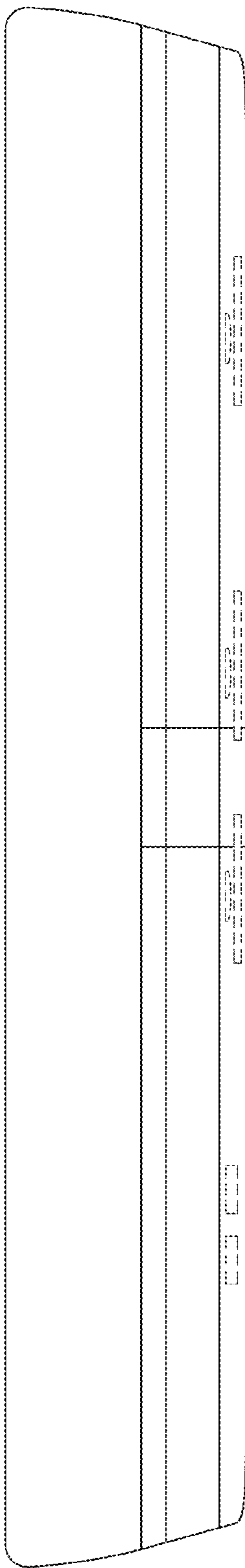


Fig. 3

Fig. 4



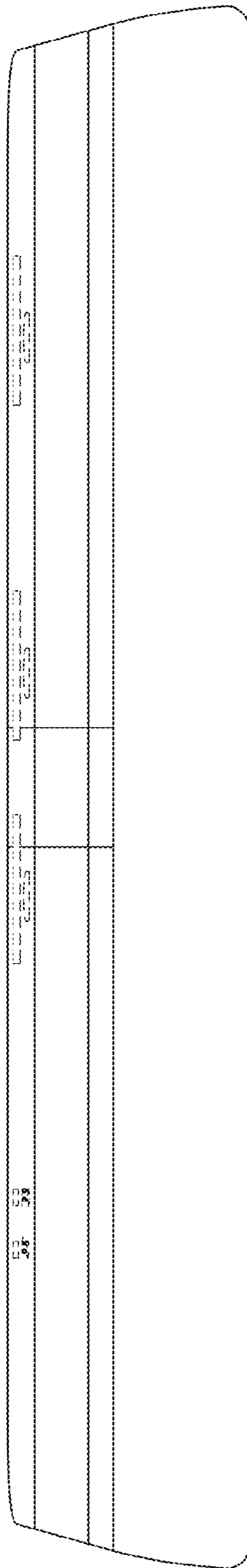


Fig. 5

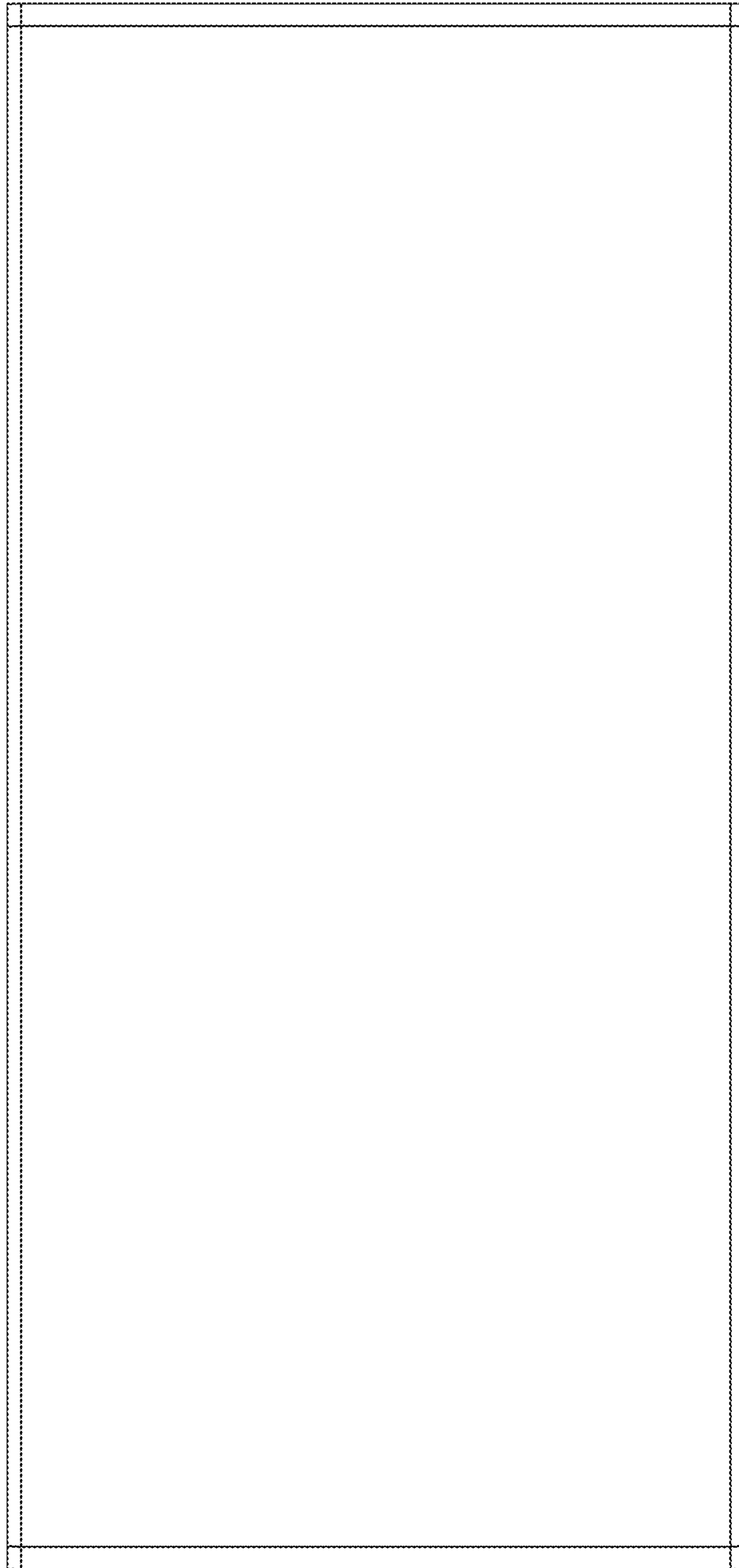


Fig. 6