

US00D763796S

(12) **United States Design Patent**
Xu

(10) **Patent No.:** **US D763,796 S**

(45) **Date of Patent:** **** Aug. 16, 2016**

(54) **ADAPTOR**

(71) Applicant: **ZHEJIANG AMP ORIENT IM P & EXP CO., LTD**, Hangzhou (CN)

(72) Inventor: **JunJie Xu**, Hangzhou (CN)

(73) Assignee: **ZHEJIANG AMP ORIENT IMP & EXP CO., LTD**, Hangzhou (CN)

(**) Term: **14 Years**

(21) Appl. No.: **29/517,028**

(22) Filed: **Feb. 9, 2015**

(30) **Foreign Application Priority Data**

Aug. 8, 2014 (CN) 2014 3 0279471

(51) **LOC (10) Cl.** **13-03**

(52) **U.S. Cl.**
USPC **D13/137.1**

(58) **Field of Classification Search**
USPC D13/137.1-137.4, 138.1-138.2,
D13/139.1-139.8, 110, 108, 162, 152;
D24/186; 363/143, 146; 439/131
CPC ... H01R 13/6675; H01R 13/44; H01R 31/065
See application file for complete search history.

(56) **References Cited**

U.S. PATENT DOCUMENTS

D616,823 S * 6/2010 Shi D13/137.2
D641,481 S * 7/2011 Fisher D13/162
D665,354 S * 8/2012 Chen D13/138.1

D666,729 S * 9/2012 Fisher D24/186
D666,968 S * 9/2012 Huang D13/110
D667,787 S * 9/2012 Druker D13/110
D669,029 S * 10/2012 Huang D13/110
D677,223 S * 3/2013 Cho D13/110
D694,713 S * 12/2013 Yeo D13/137.1
D695,693 S * 12/2013 Lee D13/152
D699,183 S * 2/2014 Zaslavsky D13/110
D700,140 S * 2/2014 Loya D13/110
D713,788 S * 9/2014 Hasegawa D13/110
D721,037 S * 1/2015 Kelly D13/137.1
D734,253 S * 7/2015 Tinaphong D13/108
D742,315 S * 11/2015 Dang D13/110

* cited by examiner

Primary Examiner — Holly Baynham

Assistant Examiner — Rhea Shields

(74) *Attorney, Agent, or Firm* — Hamre, Schumann, Mueller & Larson, P.C.

(57) **CLAIM**

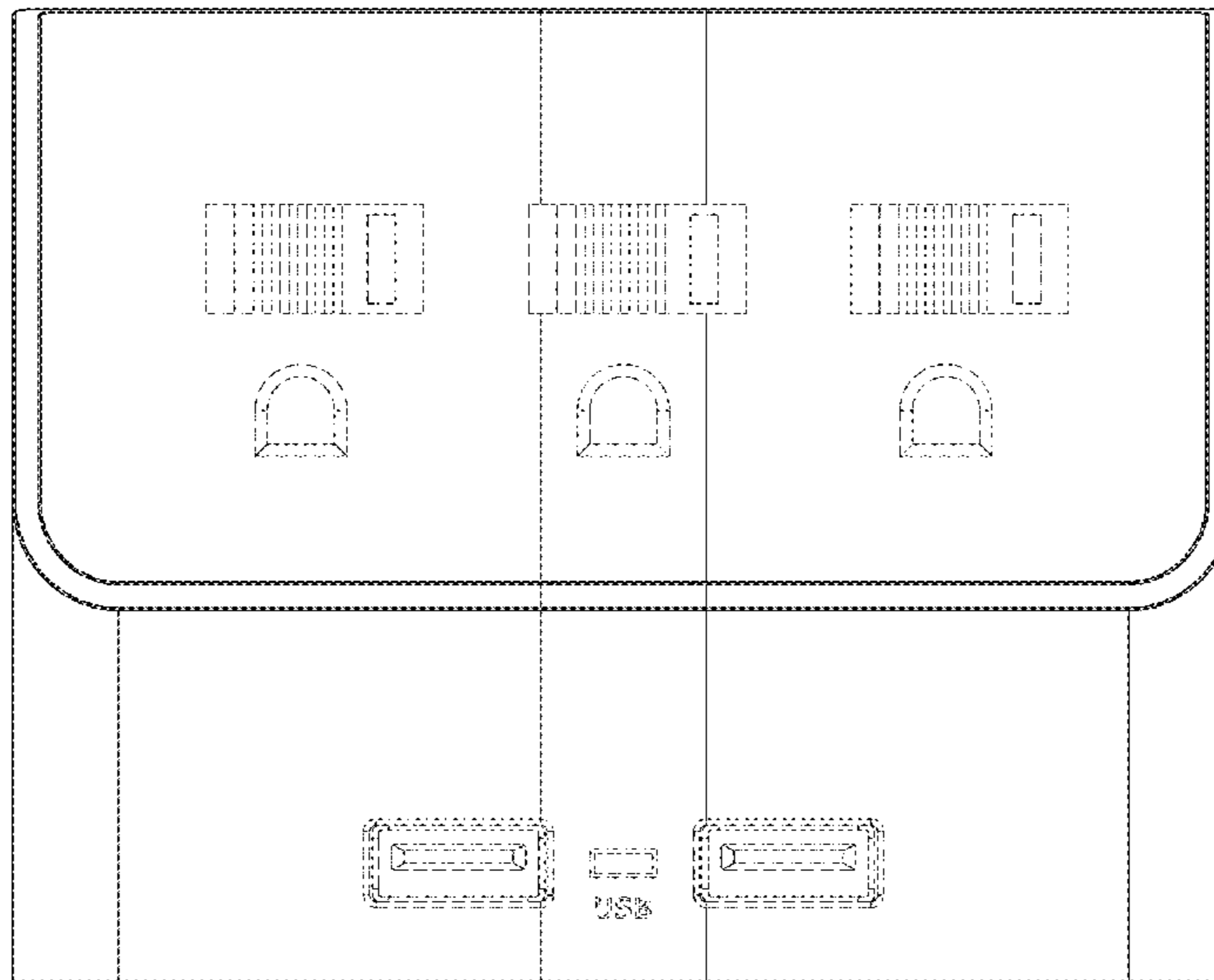
The ornamental design for an adaptor, as shown and described.

DESCRIPTION

FIG. 1 is a front view of an adaptor, showing my new design;
FIG. 2 is a left side view thereof;
FIG. 3 is a right side view thereof;
FIG. 4 is a top view thereof;
FIG. 5 is a bottom view thereof; and,
FIG. 6 is a rear view thereof.

In the drawings, the broken lines are for the purpose of illustrating environment only and form no part of the claimed design.

1 Claim, 6 Drawing Sheets



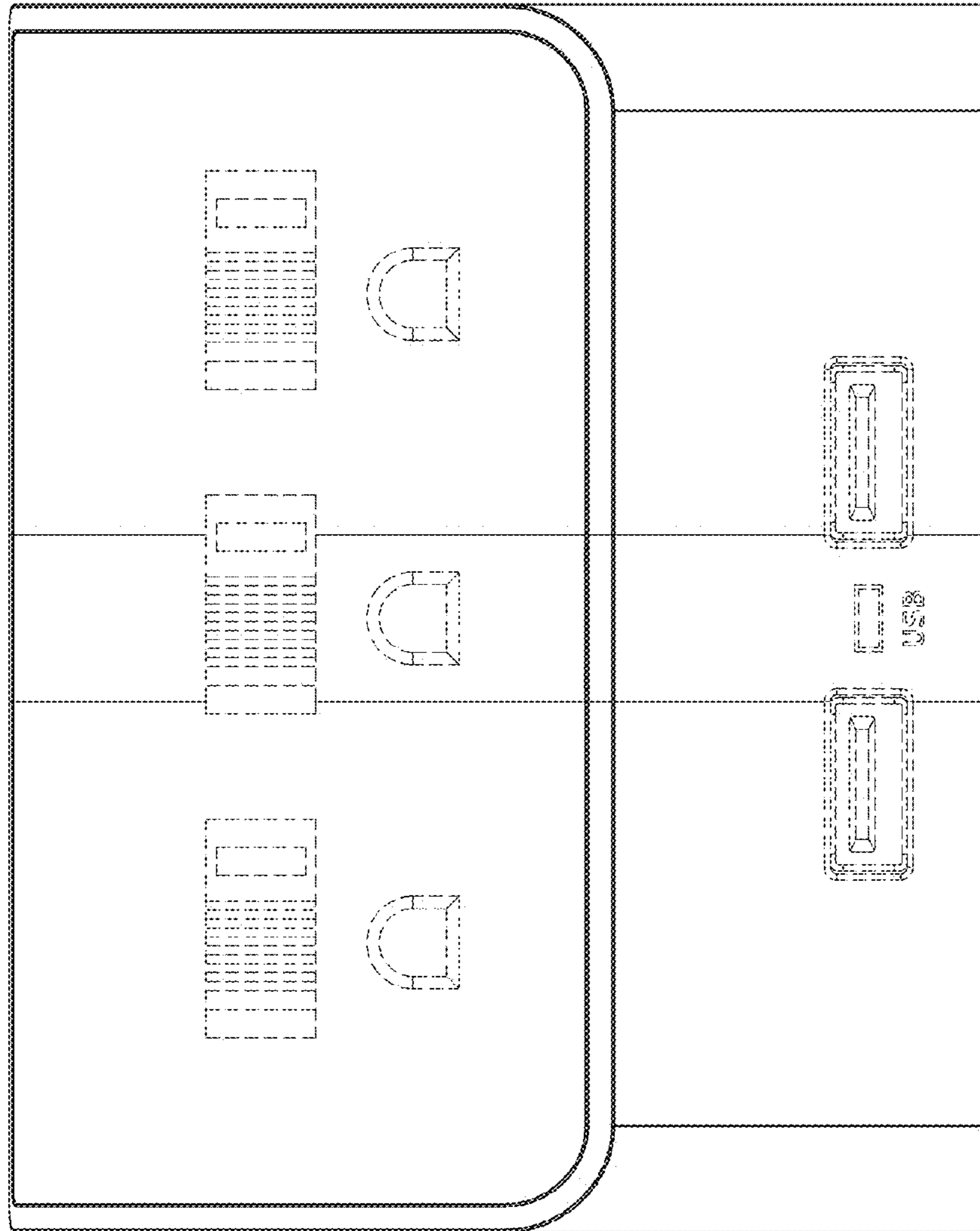


Fig. 1

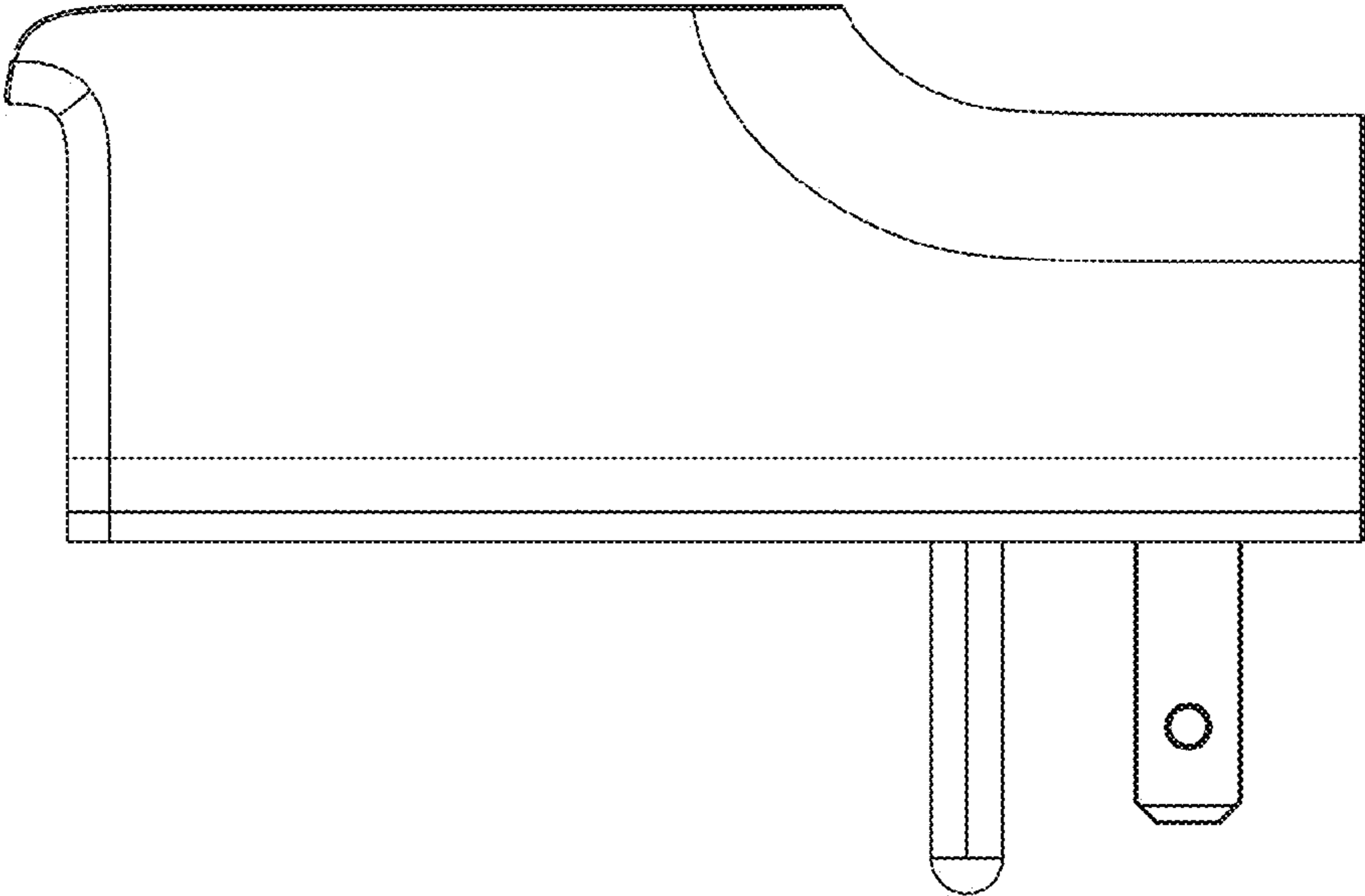


Fig. 2

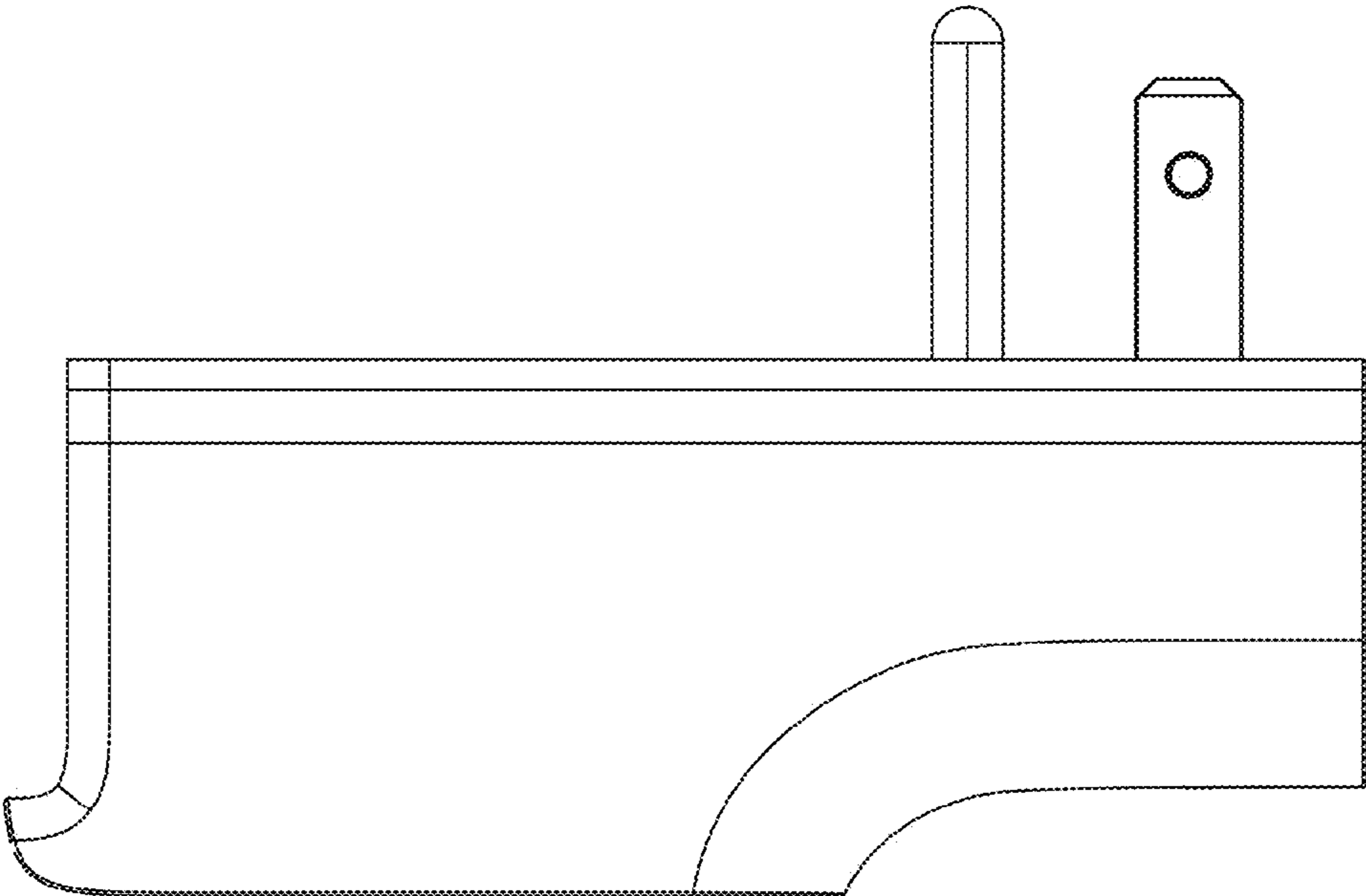


Fig. 3

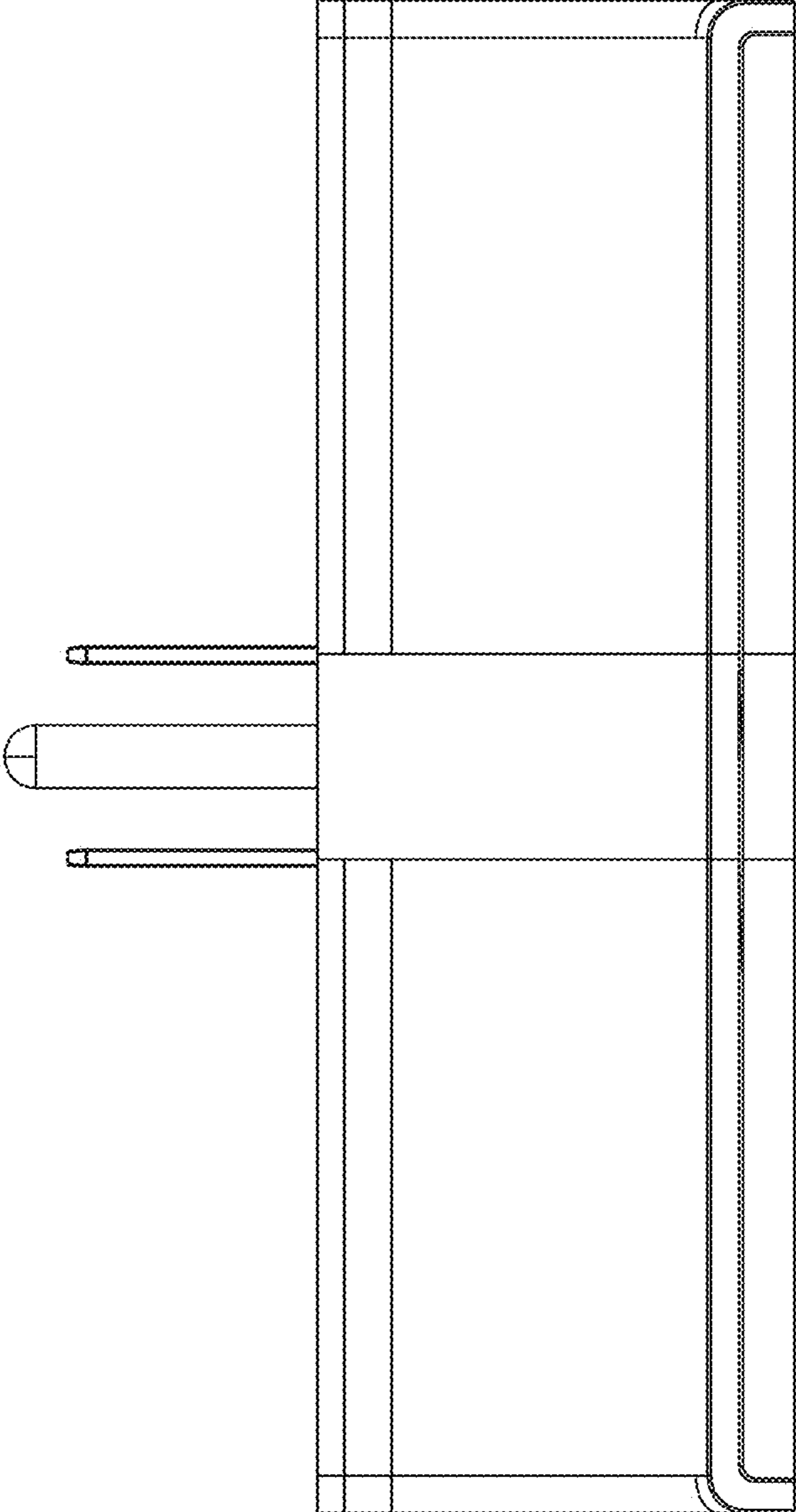


Fig. 4

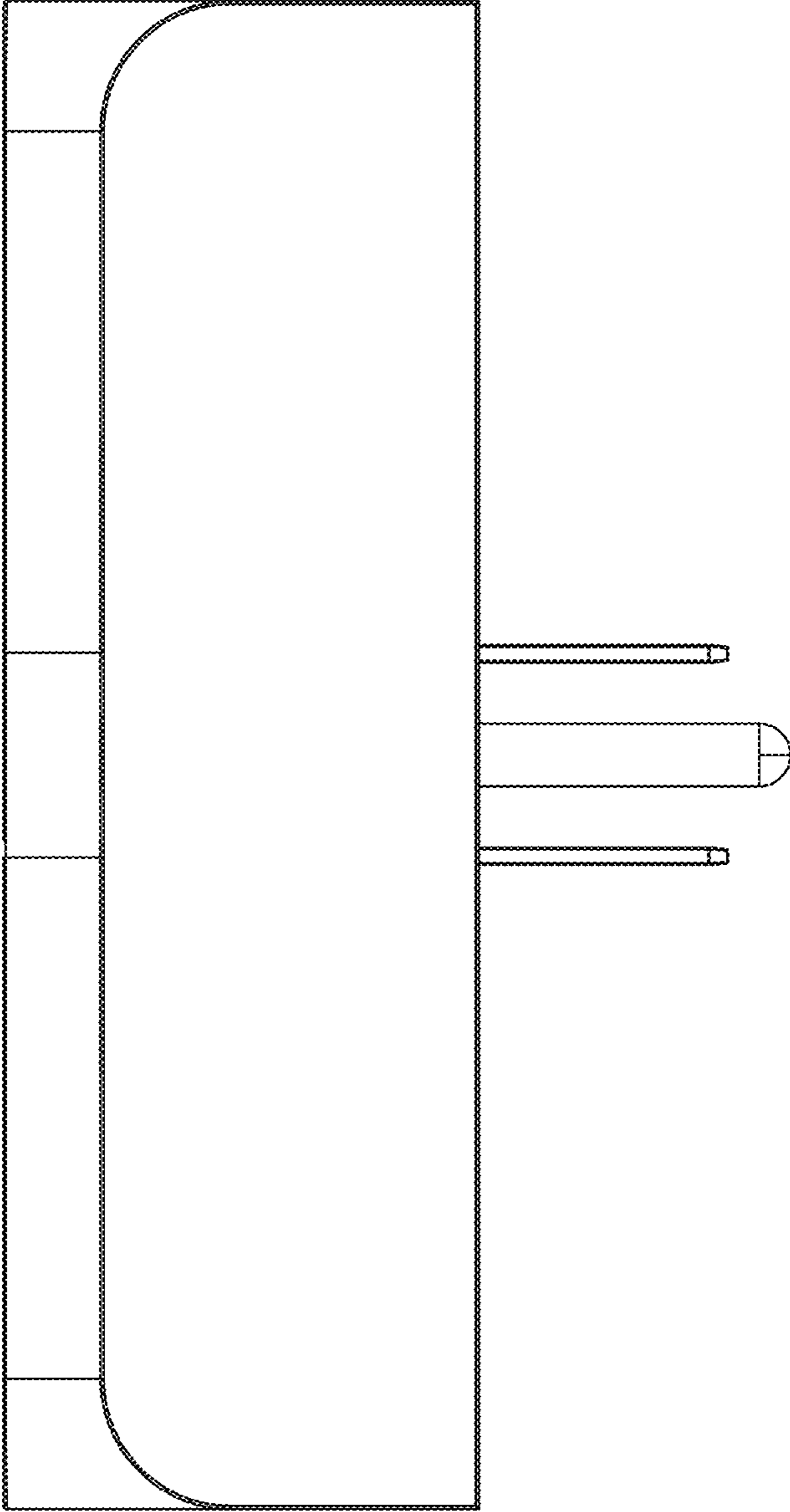


Fig. 5

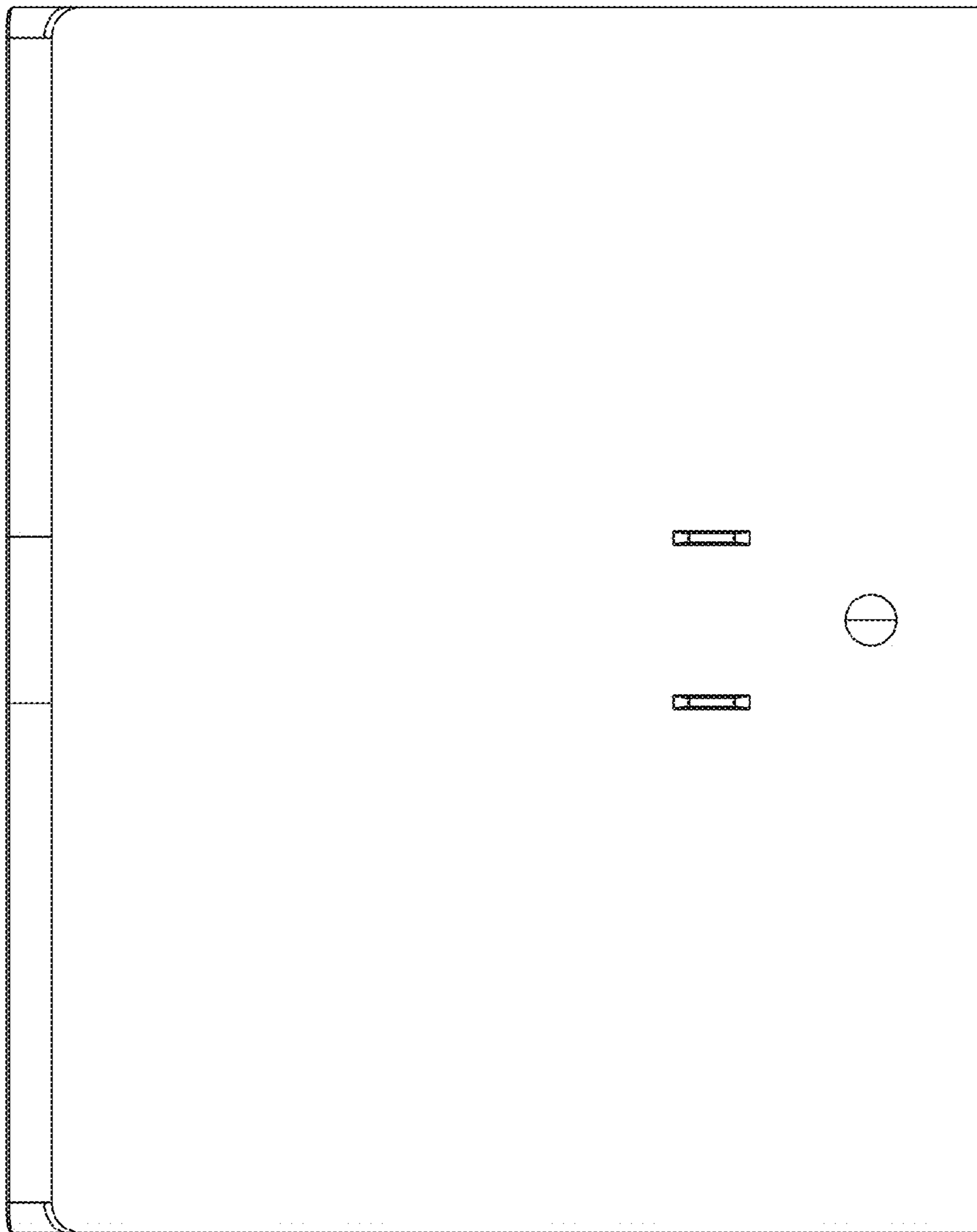


Fig. 6