



US00D763794S

(12) **United States Design Patent**  
**Akana et al.**

(10) **Patent No.:** **US D763,794 S**  
(45) **Date of Patent:** **\*\* Aug. 16, 2016**

(54) **ADAPTER**

4,997,381 A \* 3/1991 Oh ..... H01R 27/00  
439/131

(71) Applicant: **Apple Inc.**, Cupertino, CA (US)  
(72) Inventors: **Jody Akana**, San Francisco, CA (US);  
**Bartley K. Andre**, Palo Alto, CA (US);  
**Shota Aoyagi**, San Francisco, CA (US);  
**Anthony Michael Ashcroft**, San Francisco, CA (US); **Jeremy Bataillou**, San Francisco, CA (US); **Daniel J. Coster**, San Francisco, CA (US); **Daniele De Iuliis**, San Francisco, CA (US); **M. Evans Hankey**, San Francisco, CA (US); **Julian Hoenig**, San Francisco, CA (US); **Richard P. Howarth**, San Francisco, CA (US); **Jonathan P. Ive**, San Francisco, CA (US); **Duncan Robert Kerr**, San Francisco, CA (US); **Matthew Dean Rohrbach**, San Francisco, CA (US); **Peter Russell-Clarke**, San Francisco, CA (US); **Mikael Silvanto**, San Francisco, CA (US); **Christopher J. Stringer**, Woodside, CA (US); **Eugene Antony Whang**, San Francisco, CA (US); **Rico Zörkendörfer**, San Francisco, CA (US)

(Continued)

FOREIGN PATENT DOCUMENTS

WO DM 075738 5/2011

OTHER PUBLICATIONS

“USB Charger for iPhone 3G—Original”, accessed at <http://ucables.com/ref/USB-CHARGER-IPHONE-3G-R73467>, added Jun. 12, 2008.

*Primary Examiner* — Holly Baynham

*Assistant Examiner* — Rhea Shields

(74) *Attorney, Agent, or Firm* — Sterne, Kessler, Goldstein & Fox P.L.L.C.

(57) **CLAIM**

The ornamental design for an adapter, as shown and described.

**DESCRIPTION**

FIG. 1 is a front perspective view of an adapter in a first state showing our new design;

FIG. 2 is a rear perspective view thereof;

FIG. 3 is a front view thereof;

FIG. 4 is a rear view thereof;

FIG. 5 is a left side view thereof;

FIG. 6 is a right side view thereof;

FIG. 7 is a top view thereof;

FIG. 8 is a bottom view thereof;

FIG. 9 is a front perspective view of the adapter in a second state thereof;

FIG. 10 is a rear perspective view thereof;

FIG. 11 is a front view thereof;

FIG. 12 is a rear view thereof;

FIG. 13 is a left side view thereof;

FIG. 14 is a right side view thereof;

FIG. 15 is a top view thereof; and,

FIG. 16 is a bottom view thereof.

In the drawings, the broken lines are for the purpose of illustrating environment only and form no part of the claimed design.

(73) Assignee: **Apple Inc.**, Cupertino, CA (US)

(\*\*) Term: **14 Years**

(21) Appl. No.: **29/501,659**

(22) Filed: **Sep. 5, 2014**

(51) **LOC (10) Cl.** ..... **13-03**

(52) **U.S. Cl.**  
USPC ..... **D13/137.1**

(58) **Field of Classification Search**  
USPC ..... D13/137.1, 137.2, 138.1, 138.2, 139.1,  
D13/139.7, 139.3, 110, 99, 152, 156;  
439/131; 320/111

CPC ..... H01R 27/00; H01R 29/00; H01R 35/04;  
H01R 13/1514; H01M 10/46

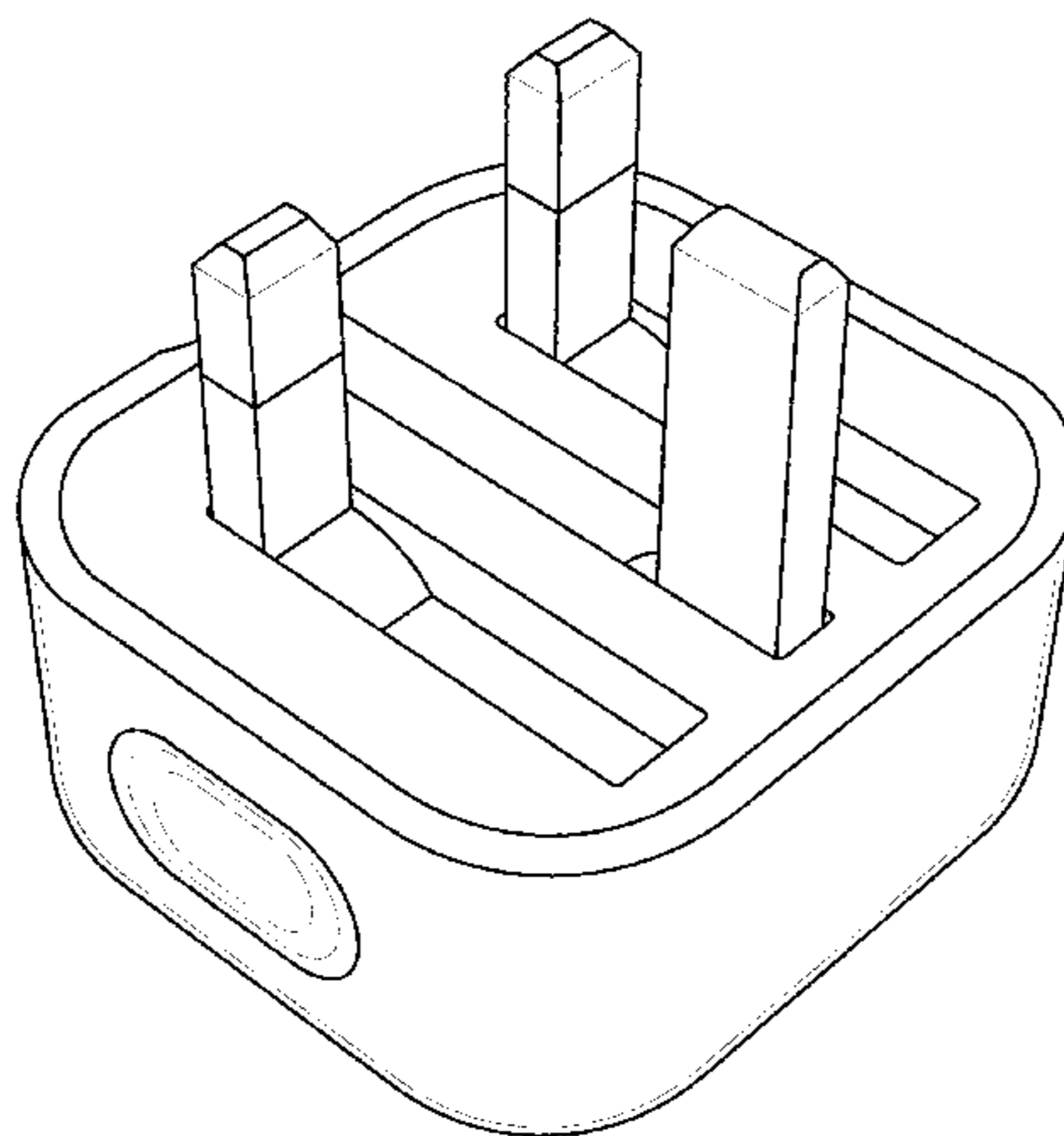
See application file for complete search history.

(56) **References Cited**

U.S. PATENT DOCUMENTS

D138,086 S 6/1944 Ludwig

**1 Claim, 16 Drawing Sheets**



(56)

References Cited

U.S. PATENT DOCUMENTS

D375,080 S	10/1996	Sandor et al.		D601,500 S	10/2009	Green et al.	
5,613,863 A *	3/1997	Klaus .....	H01R 27/00	D601,501 S	10/2009	Kaibara et al.	
			439/131	D601,583 S	10/2009	Andre et al.	
D405,765 S	2/1999	Yu		D602,430 S	10/2009	Green et al.	
5,967,807 A *	10/1999	Wu .....	H01R 29/00	D610,994 S *	3/2010	Fahrendorff .....	D13/138.1
			439/131	D611,409 S	3/2010	Green et al.	
6,126,460 A *	10/2000	Wu .....	H01R 27/00	D611,415 S	3/2010	Andre et al.	
			439/131	D617,275 S *	6/2010	Fahrendorff .....	D13/138.1
D436,078 S	1/2001	Korte		D623,136 S	9/2010	Andre et al.	
6,275,002 B1 *	8/2001	Chen .....	H01M 10/46	7,794,251 B2 *	9/2010	Wen .....	H01R 13/514
			320/111				320/111
6,641,412 B2 *	11/2003	Kitagawa .....	H01R 35/04	D643,807 S	8/2011	Jiang	
			439/131	D647,476 S *	10/2011	Ciou .....	D13/110
D498,462 S	11/2004	Andre et al.		8,057,265 B2	11/2011	Youssefi-Shams et al.	
D503,679 S	4/2005	Andre et al.		D653,615 S	2/2012	Au	
D511,649 S	11/2005	Chen		8,113,855 B2	2/2012	Green et al.	
7,001,196 B1 *	2/2006	Huang .....	H01R 35/04	D655,244 S	3/2012	Au	
			439/131	D661,649 S *	6/2012	Andre .....	D13/110
D521,936 S	5/2006	Novotney et al.		D683,314 S	5/2013	Andre et al.	
D522,463 S	6/2006	Novotney et al.		D702,633 S *	4/2014	Andre .....	D13/110
D526,648 S	8/2006	Andre et al.		D705,736 S *	5/2014	Zaslavsky .....	D13/139.7
D552,034 S	10/2007	Hobson et al.		D711,823 S	8/2014	Akana et al.	
D572,712 S	7/2008	Ledbetter et al.		D711,824 S *	8/2014	Matsuoka .....	D13/110
D573,946 S	7/2008	Ledbetter et al.		D712,829 S *	9/2014	Huang .....	D13/110
D579,876 S	11/2008	Novotney et al.		D719,092 S *	12/2014	Huang .....	D13/110
D583,316 S	12/2008	Sade et al.		D721,037 S *	1/2015	Kelly .....	D13/137.1
D587,192 S	2/2009	McGinley et al.		D735,669 S *	8/2015	Kelly .....	D13/138.1
D595,223 S	6/2009	Yamamoto et al.		D738,308 S *	9/2015	Sumwalt .....	D13/138.1
D595,224 S	6/2009	Seil et al.		D746,773 S *	1/2016	Andre .....	D13/110
D596,572 S	7/2009	Wu et al.		D750,571 S *	3/2016	Auguste .....	D13/156
				D751,039 S *	3/2016	Ptok .....	D13/138.1
				2009/0289596 A1	11/2009	Mcginley et al.	
				2010/0117597 A1	5/2010	Wang	

\* cited by examiner

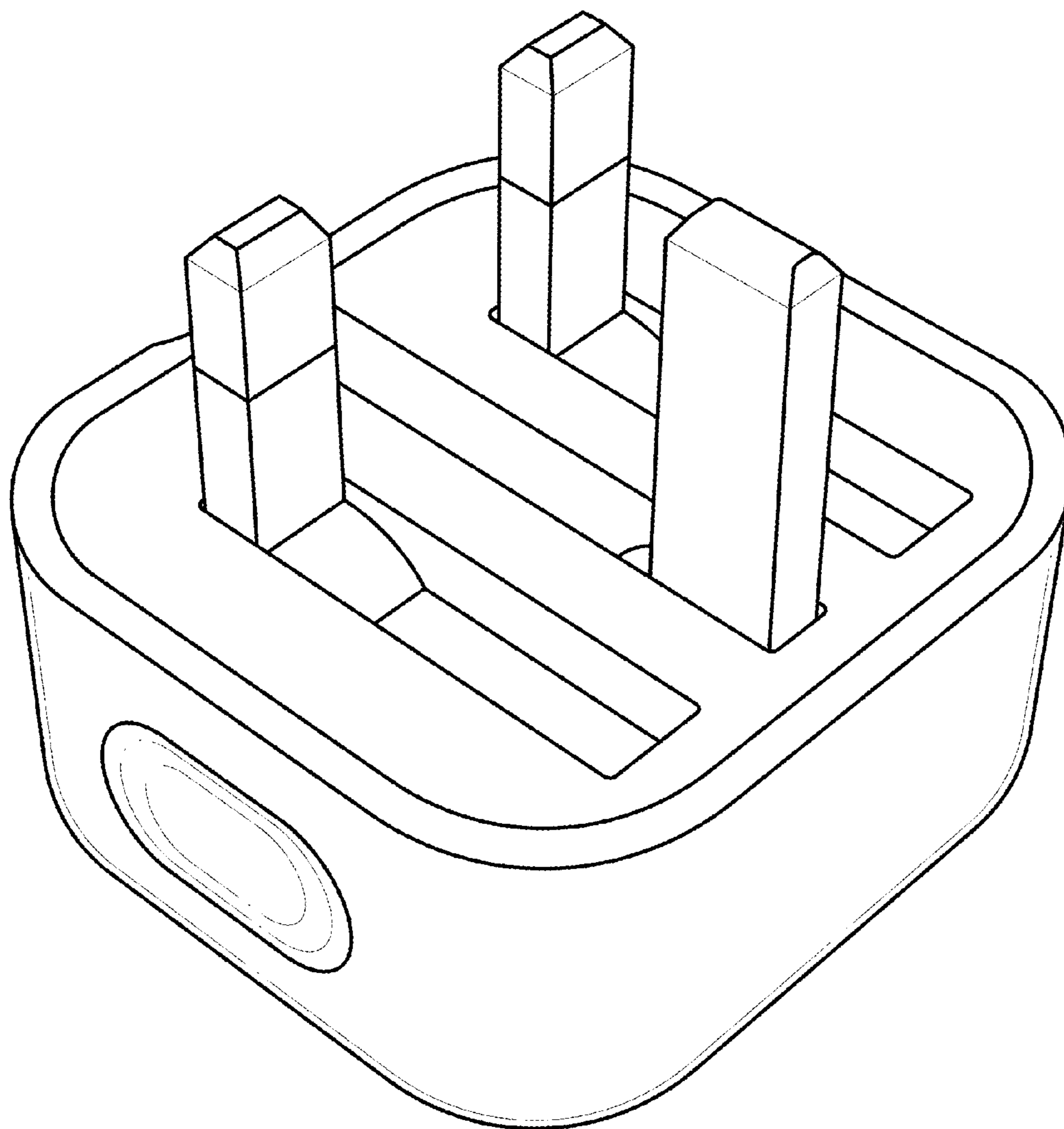


FIG. 1

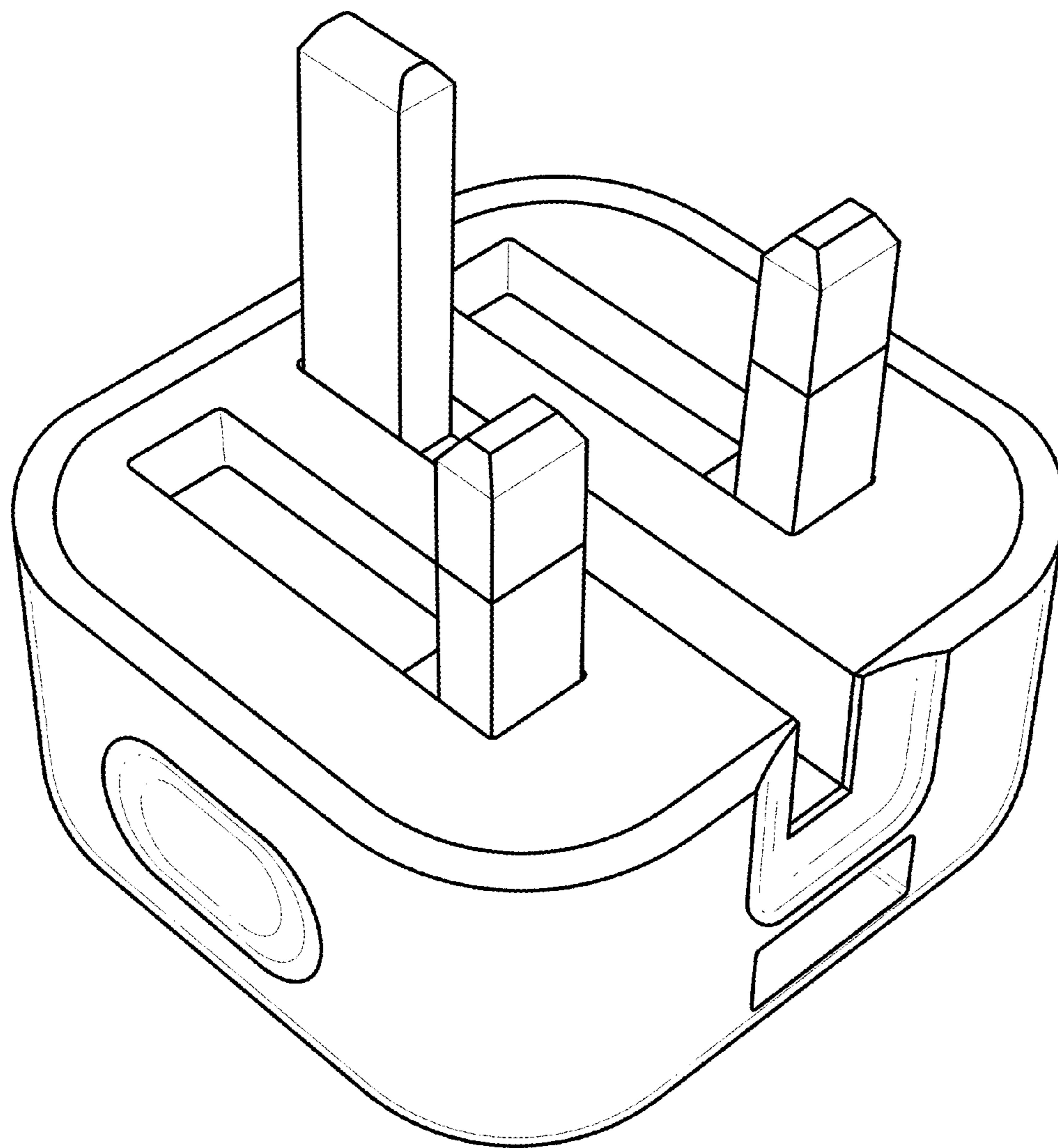


FIG. 2

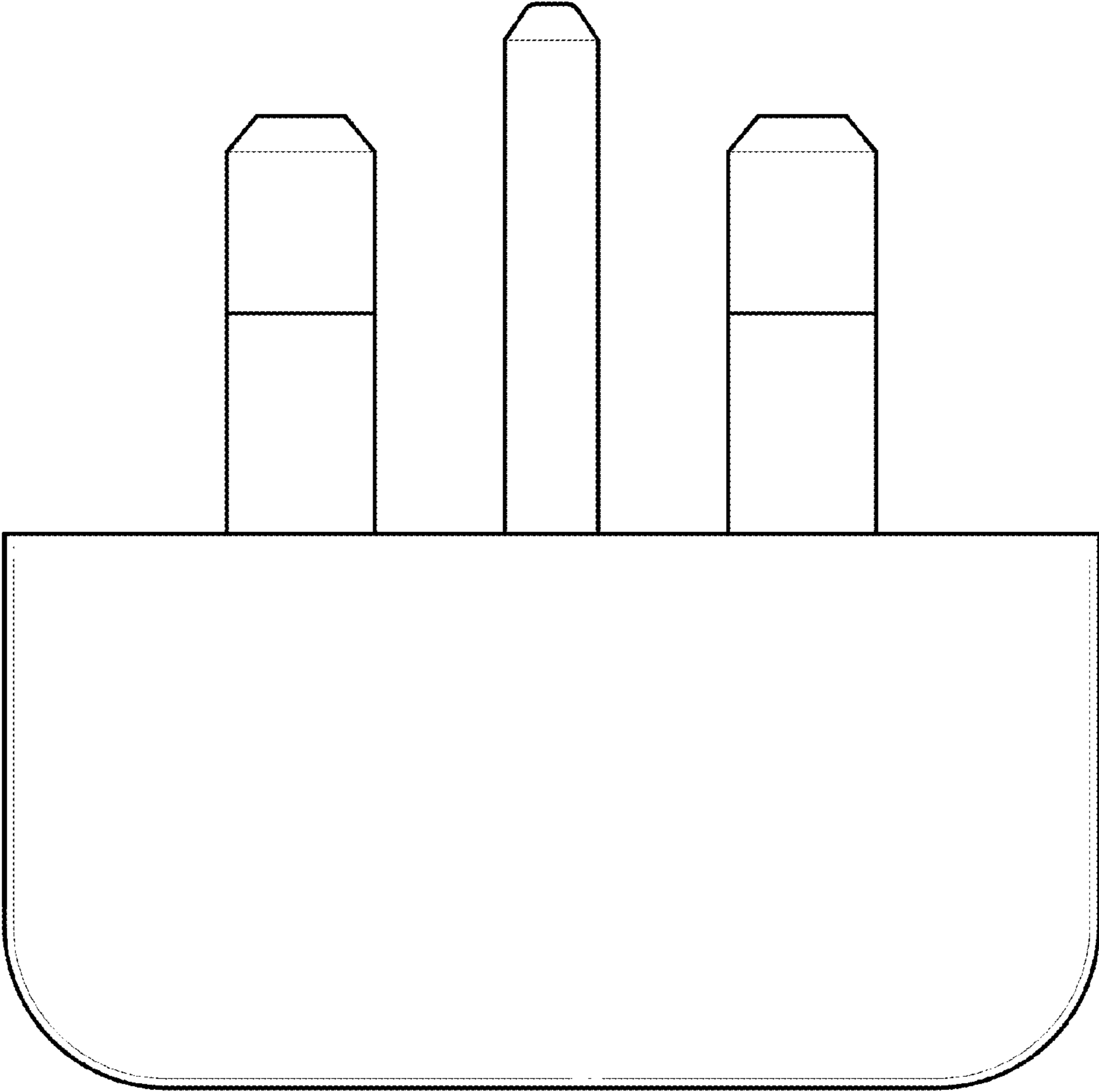


FIG. 3

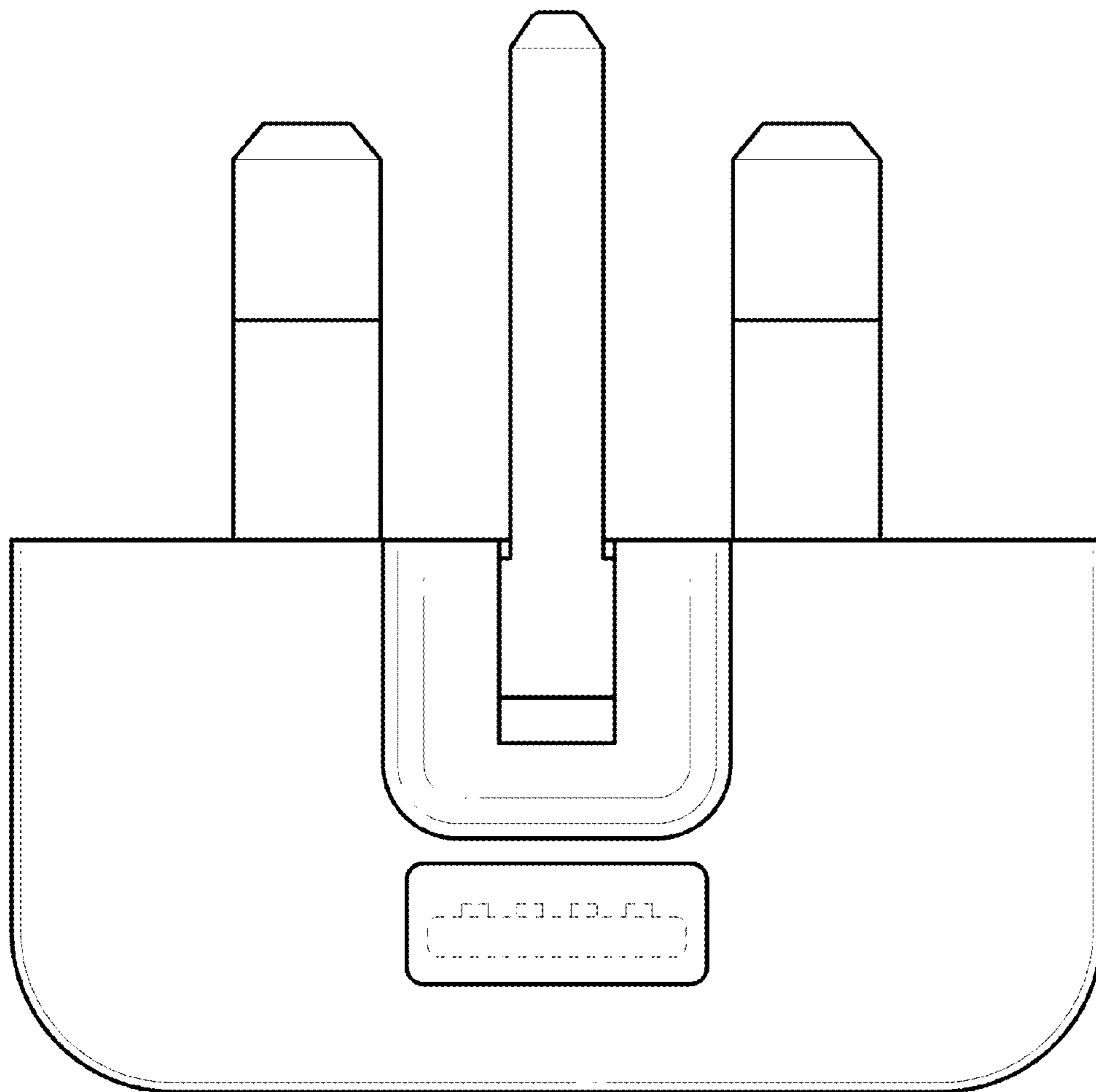
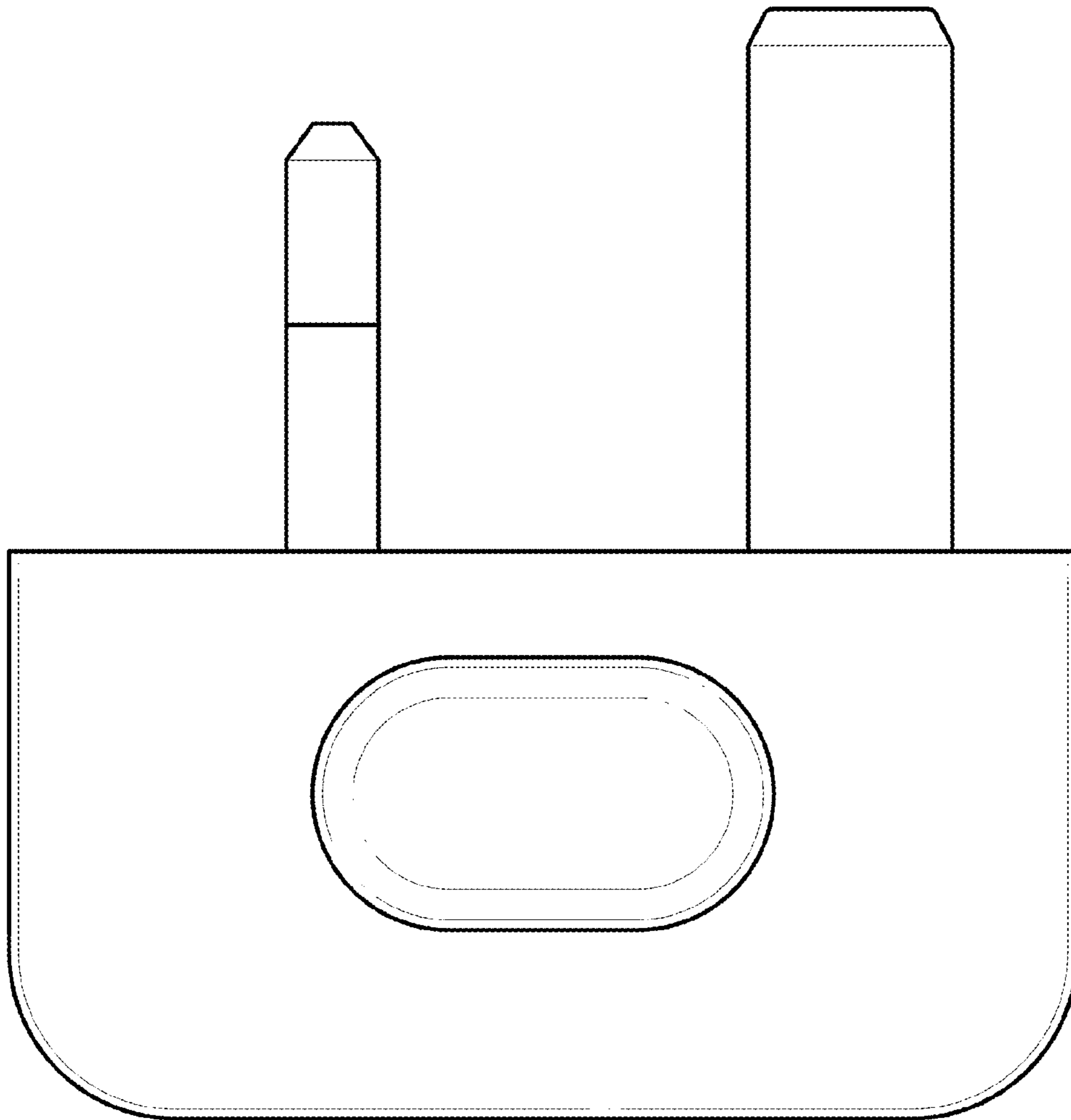
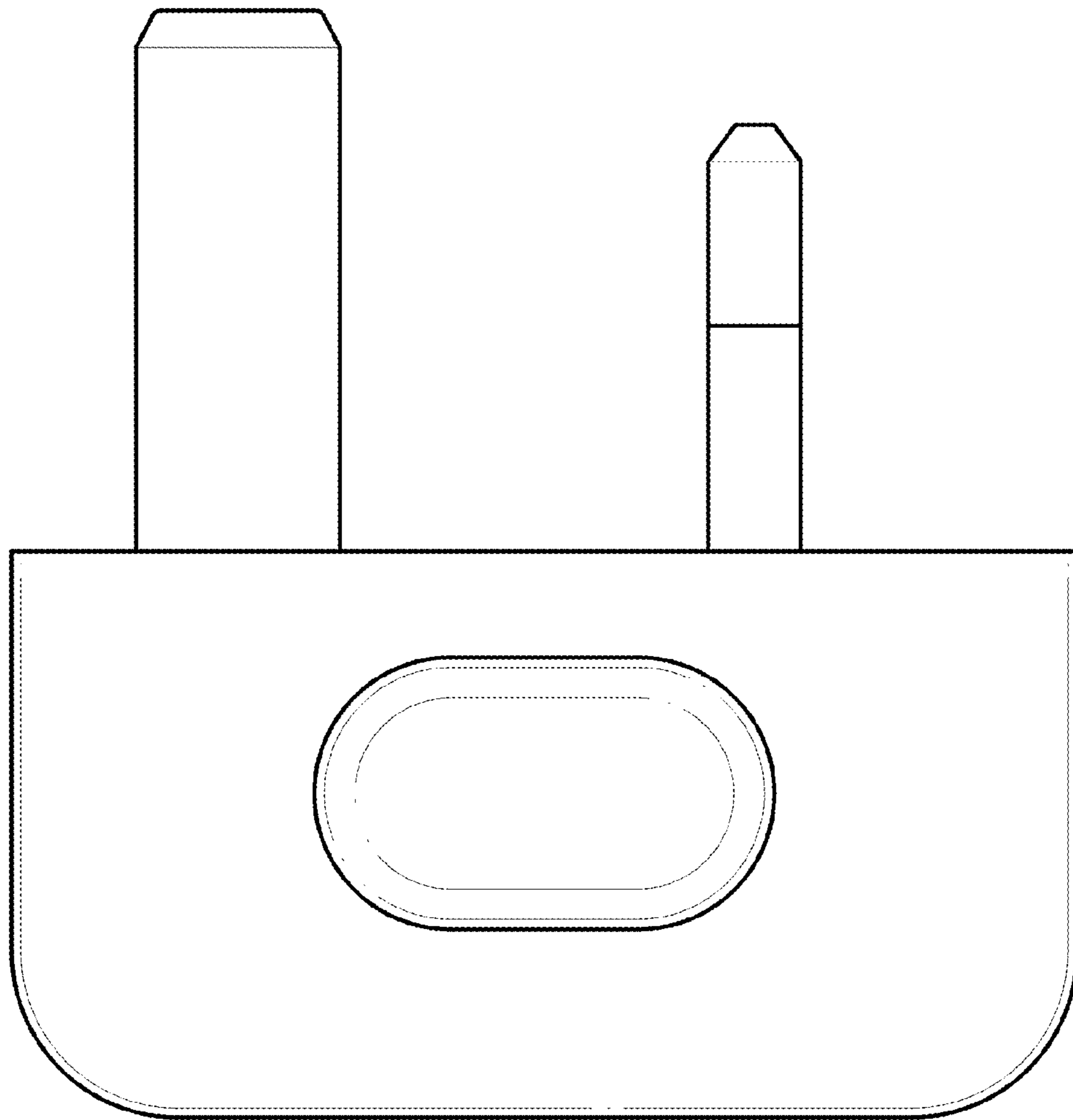


FIG. 4



**FIG. 5**



**FIG. 6**



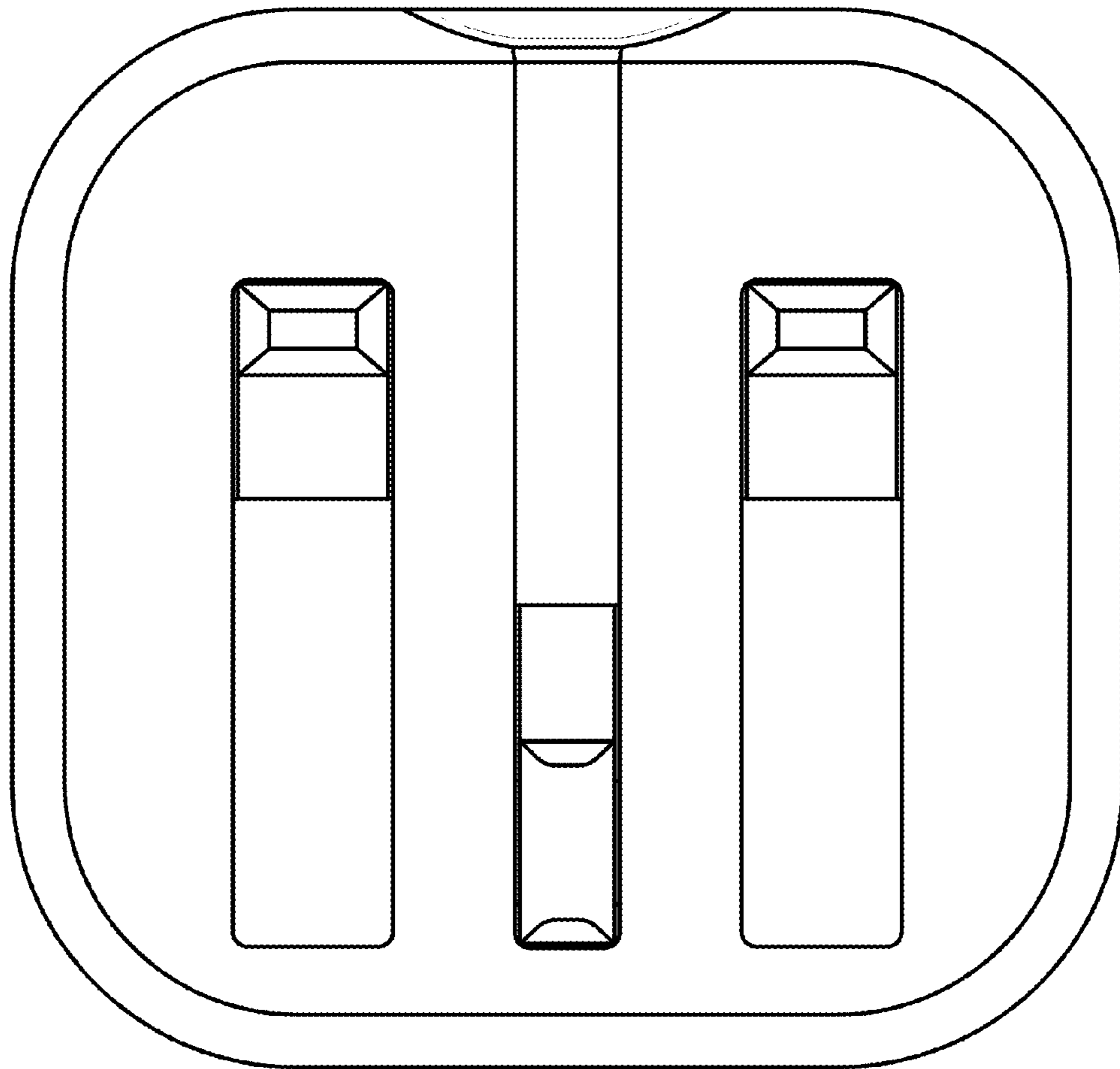


FIG. 7

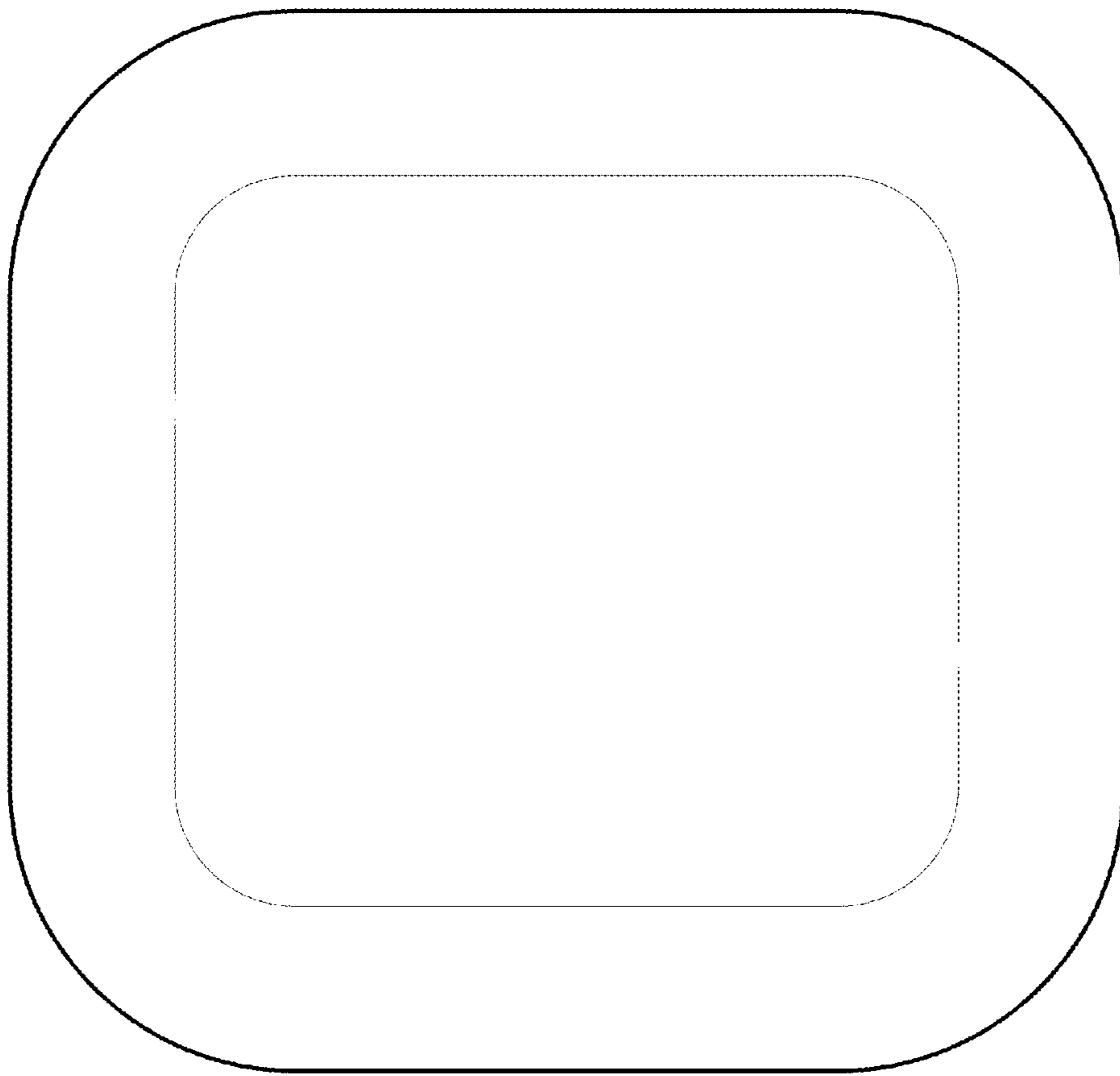


FIG. 8

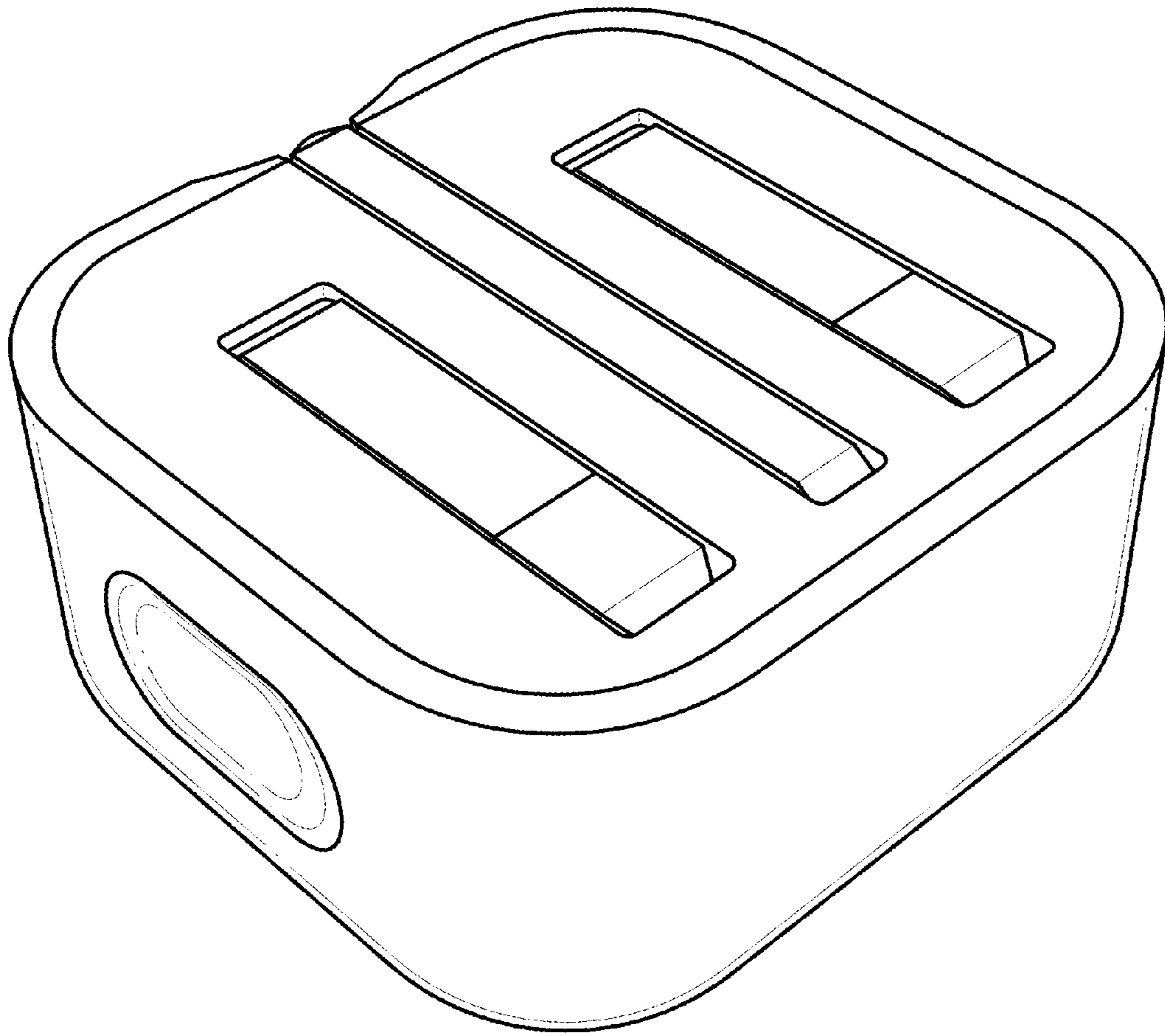


FIG. 9

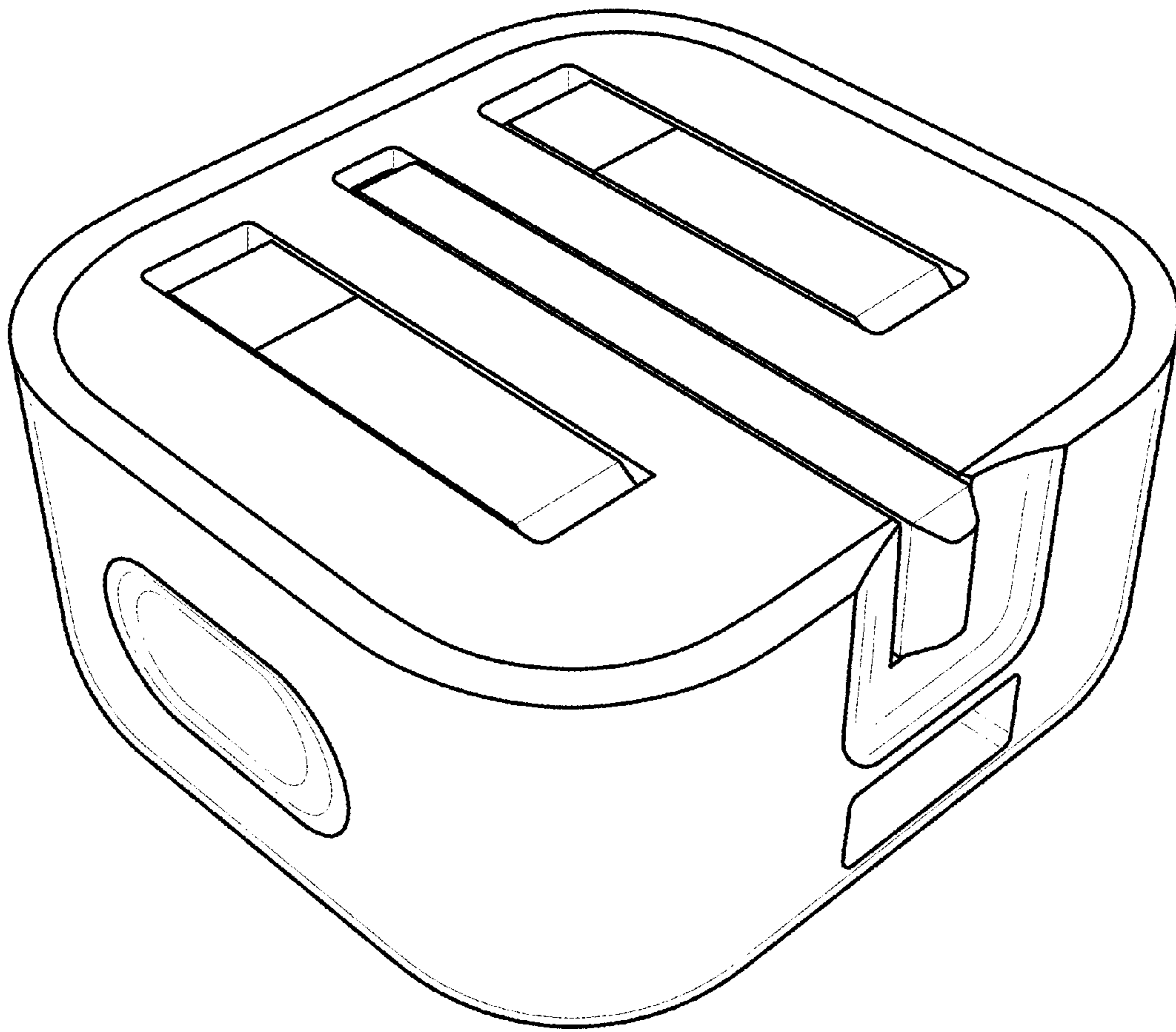
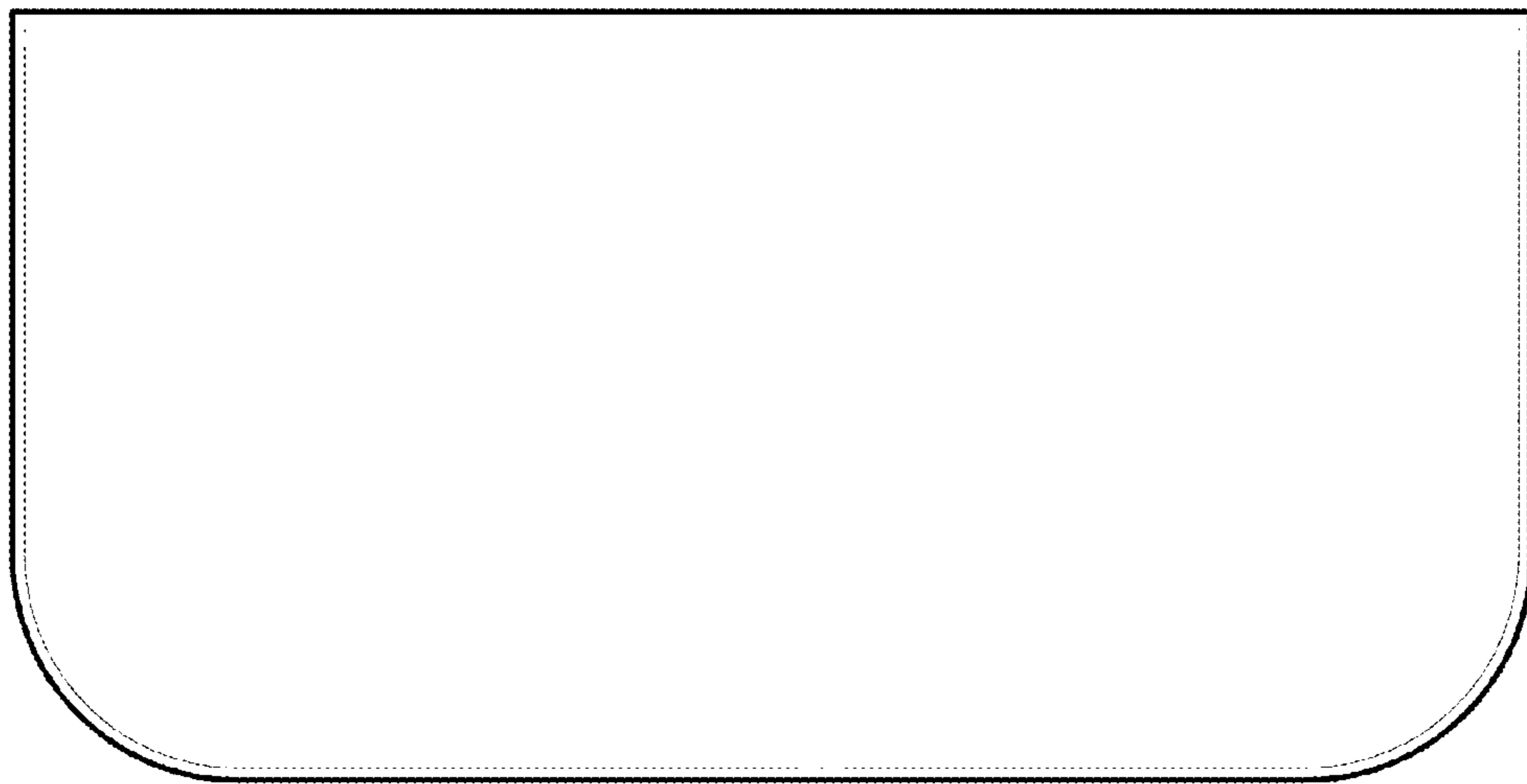


FIG. 10



**FIG. 11**

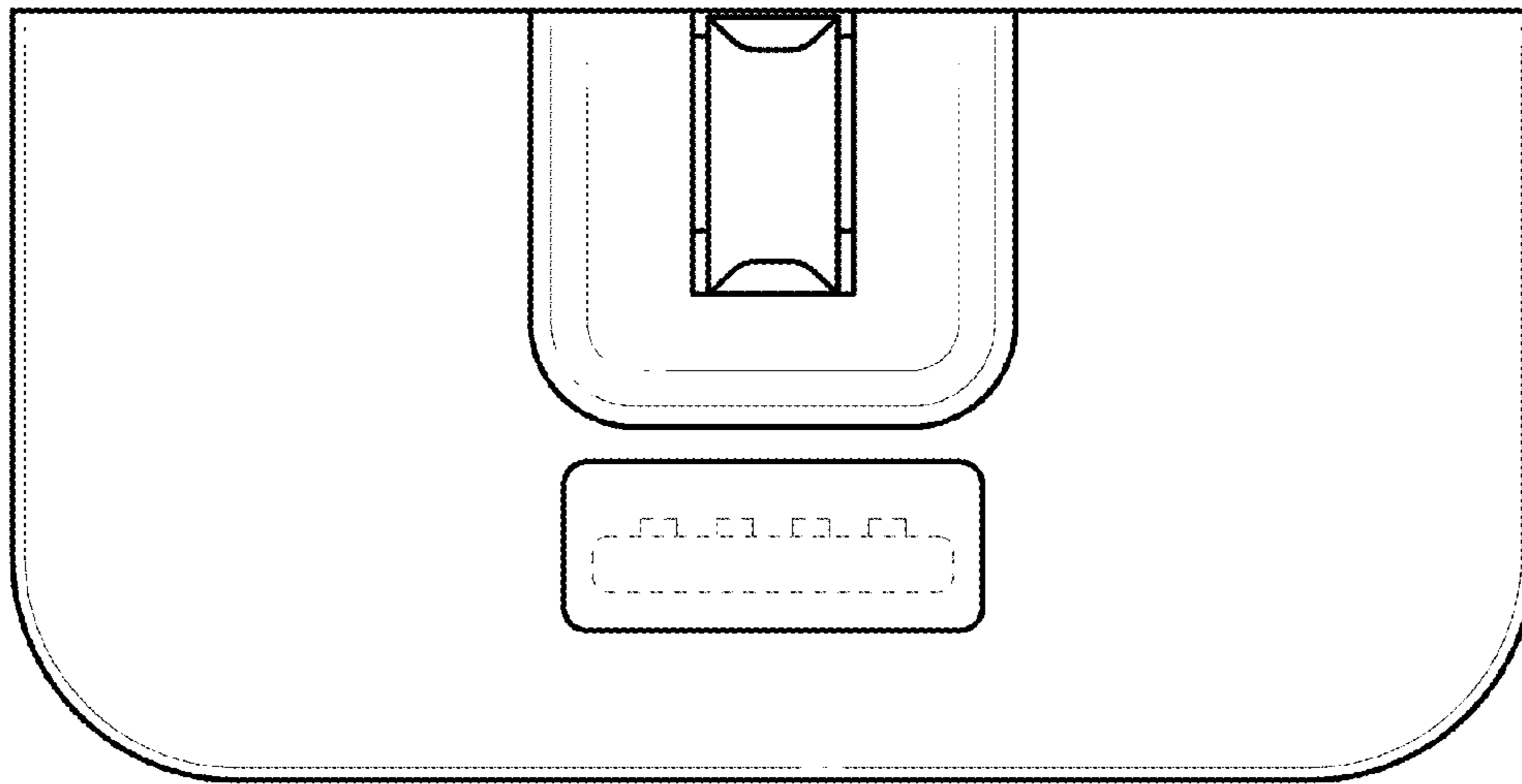
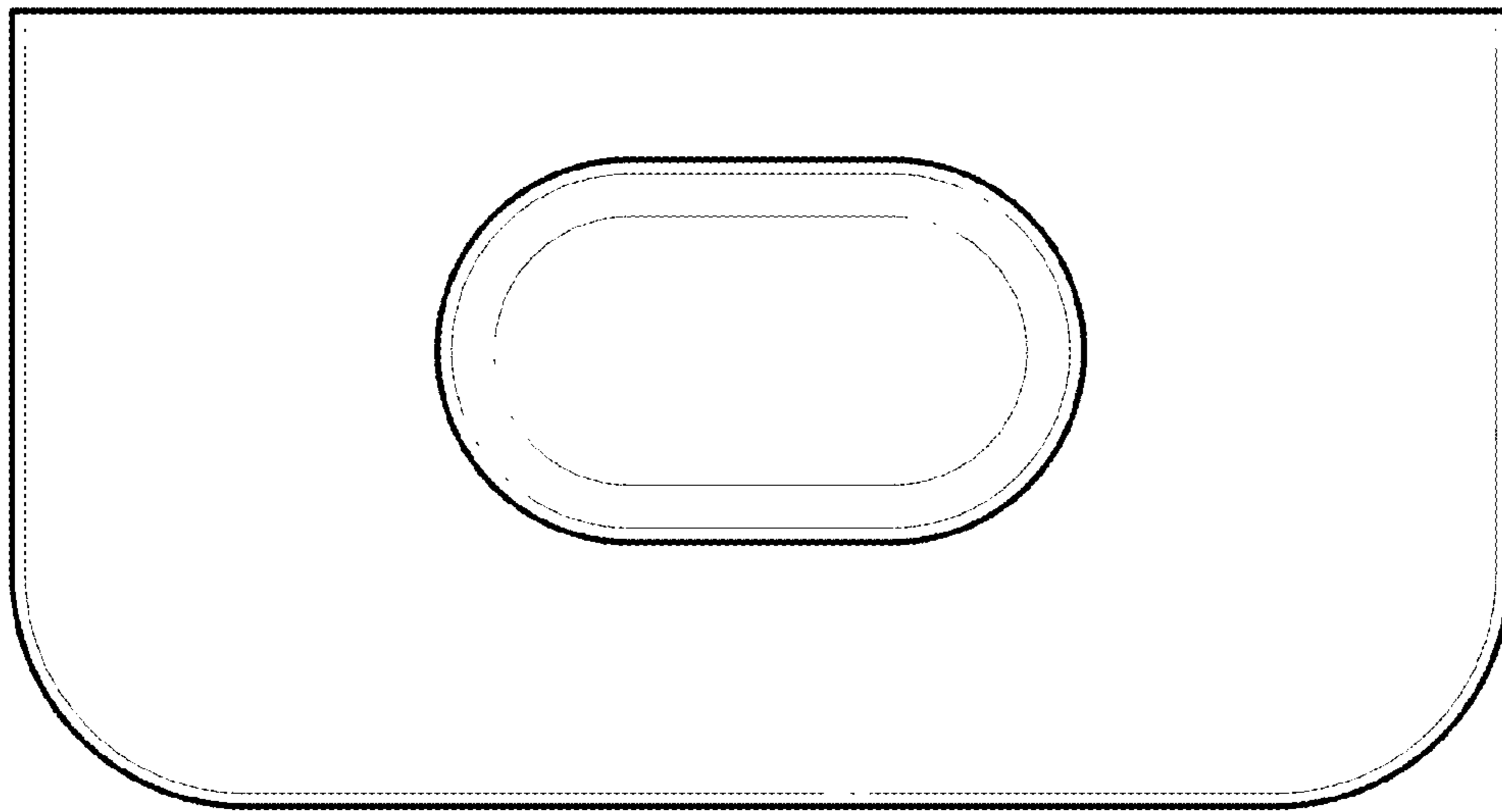
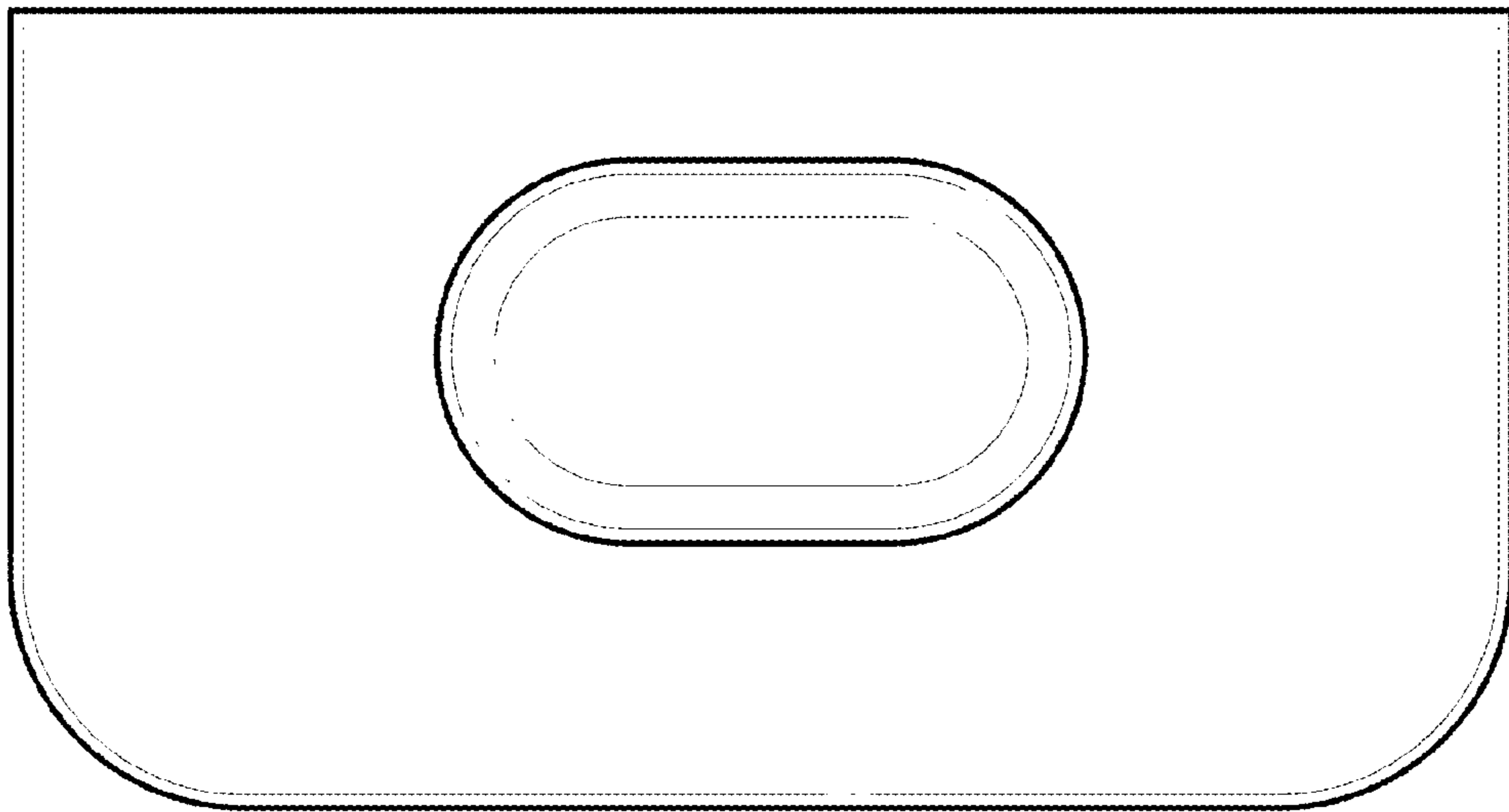


FIG. 12



**FIG. 13**



**FIG. 14**



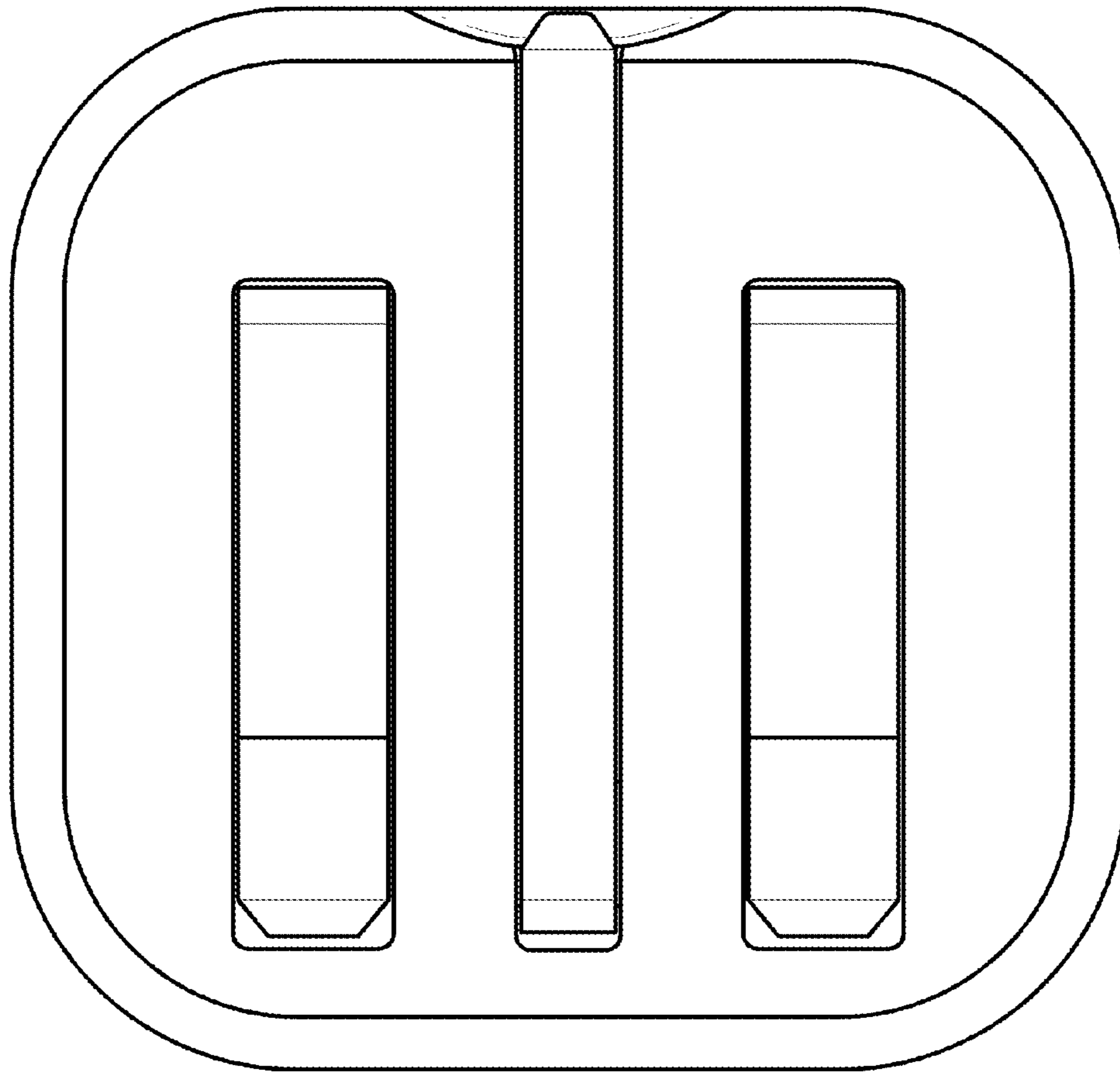
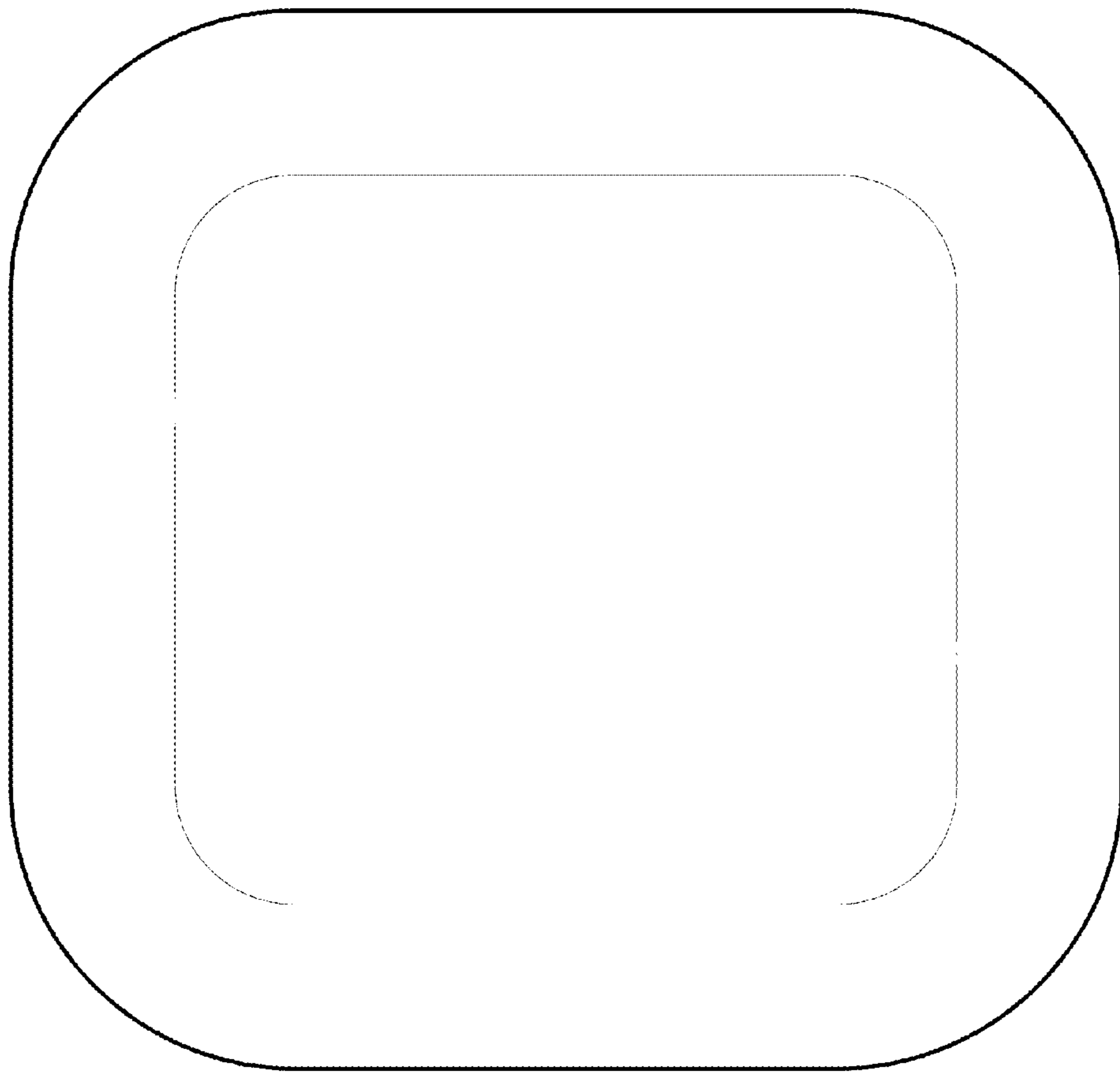


FIG. 15



**FIG. 16**