



US00D763789S

(12) **United States Design Patent**
Mchatet

(10) **Patent No.:** **US D763,789 S**

(45) **Date of Patent:** **** Aug. 16, 2016**

(54) **HOME CHARGER**

(71) Applicant: **Hamid Mchatet**, Miami, FL (US)

(72) Inventor: **Hamid Mchatet**, Miami, FL (US)

(**) Term: **14 Years**

(21) Appl. No.: **29/521,295**

(22) Filed: **Mar. 23, 2015**

(51) **LOC (10) Cl.** **13-02**

(52) **U.S. Cl.**

USPC **D13/107**

(58) **Field of Classification Search**

USPC D13/107-110, 118-119, 184;

D14/96-100, 163, 176; 320/107-115

CPC Y02E 60/12; Y02E 60/122; Y02E 60/124;

Y02E 60/50; H01M 2/02; H01M 2/022;

H01M 2/0202; H01M 2/0207; H01M 2/0212;

H01M 2/1061; H01M 2/1022; H01M 2/1055;

H01M 2/1066; H01M 2/105; H01M 2/20;

H01M 2/202; H01M 2/204; H01M 2/206;

H01M 10/4257; H01M 10/0436; H01M 10/48;

H01M 10/44; H01M 10/46; H01M 10/465;

H01M 10/482; H01M 2200/30; H01M

2250/30; H01M 2250/40; H02J 7/00; H02J

7/0003; H02J 7/0011; H02J 7/0013; H02J

7/0054; H02J 7/0055; H02J 7/0057; H02J

2007/0062

See application file for complete search history.

(56) **References Cited**

U.S. PATENT DOCUMENTS

D392,939 S *	3/1998	Finke-Anlauff	D13/103
D446,766 S *	8/2001	Han	D13/103
D467,866 S *	12/2002	Hsiao	D13/107
D543,513 S *	5/2007	Allen	D13/184
D543,935 S *	6/2007	Ke	D13/107
D546,280 S *	7/2007	Marchetto	D13/107
D572,712 S *	7/2008	Ledbetter	D13/110
D611,408 S *	3/2010	Ferber	D13/108

D615,033 S *	5/2010	Baker	D13/107
D628,573 S *	12/2010	Wang	D14/356
D644,989 S *	9/2011	Guccione	D13/108
D672,715 S *	12/2012	Brunner	D13/110
D677,221 S *	3/2013	McSweyn	D13/108
D683,310 S *	5/2013	McSweyn	D13/108
D695,219 S *	12/2013	Dasbach	D13/110
D697,473 S *	1/2014	Guccione	D13/108
D700,140 S *	2/2014	Loya	D13/110
D704,627 S *	5/2014	Huang	D13/107
D709,447 S *	7/2014	Ibuki	D13/108
D718,727 S *	12/2014	Burek	D13/199
D726,106 S *	4/2015	Aber	D13/103
D731,970 S *	6/2015	Kamath	D13/110
D736,716 S *	8/2015	Hough	D13/107
D742,819 S *	11/2015	Nuovo	D13/107
D744,942 S *	12/2015	Bates	D13/107
D744,943 S *	12/2015	Bates	D13/107
D744,947 S *	12/2015	Rabalais	D13/108
2010/0298036 A1 *	11/2010	Yang	H01M 2/1066 455/575.4

(Continued)

Primary Examiner — Rosemary K Tarcza

Assistant Examiner — Sanjeev Paul

(74) *Attorney, Agent, or Firm* — Albert Bordas, P.A.

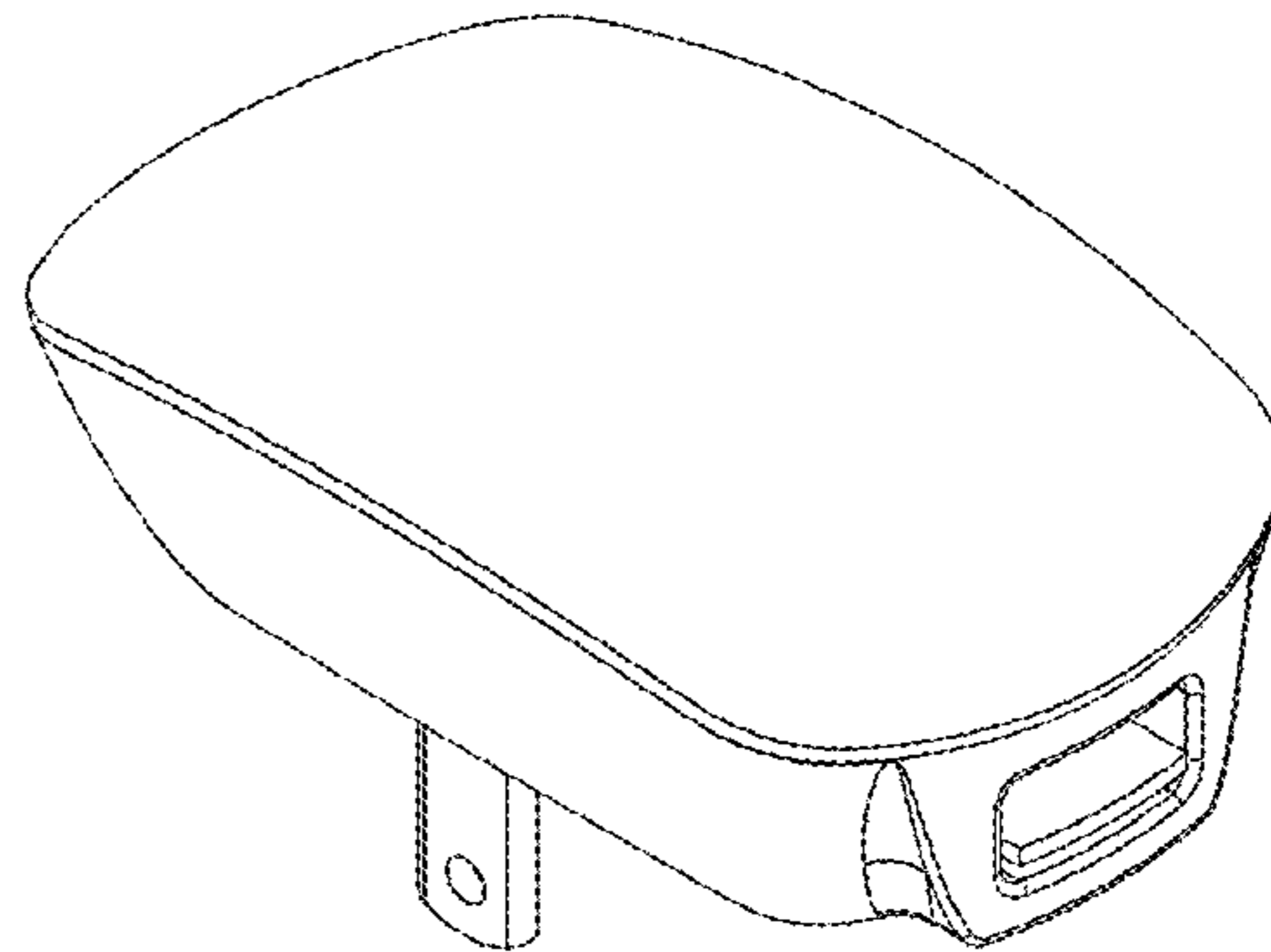
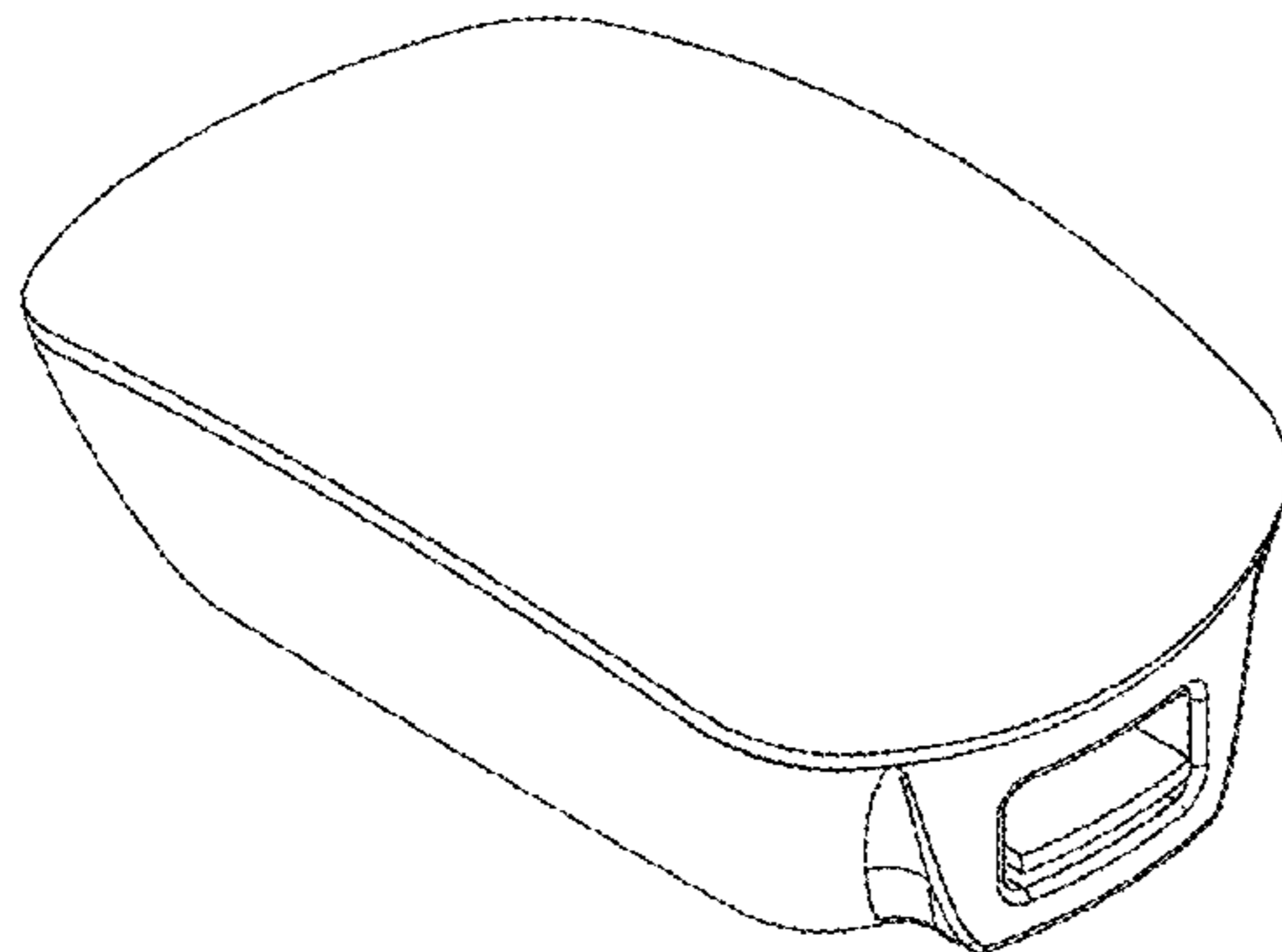
(57) **CLAIM**

The ornamental design for a home charger, as shown and described.

DESCRIPTION

FIG. 1 is a top plan view of a home charger;
 FIG. 2 is a front elevational view thereof, the rear elevational view being a mirror image thereof;
 FIG. 3 is a bottom view thereof;
 FIG. 4 is a right-side elevational view thereof;
 FIG. 5 is a left-side elevational view thereof;
 FIG. 6 is a first isometric view thereof; and,
 FIG. 7 is a second isometric view thereof, showing my design with its electrical prongs extended.
 The claimed home charger is used as an electronic charging device.

1 Claim, 3 Drawing Sheets



US D763,789 S

Page 2

(56)

References Cited

2015/0295440 A1* 10/2015 Liao H02J 7/0045
320/103

U.S. PATENT DOCUMENTS

2012/0120565 A1* 5/2012 Chen H01M 2/1066
361/679.01

* cited by examiner

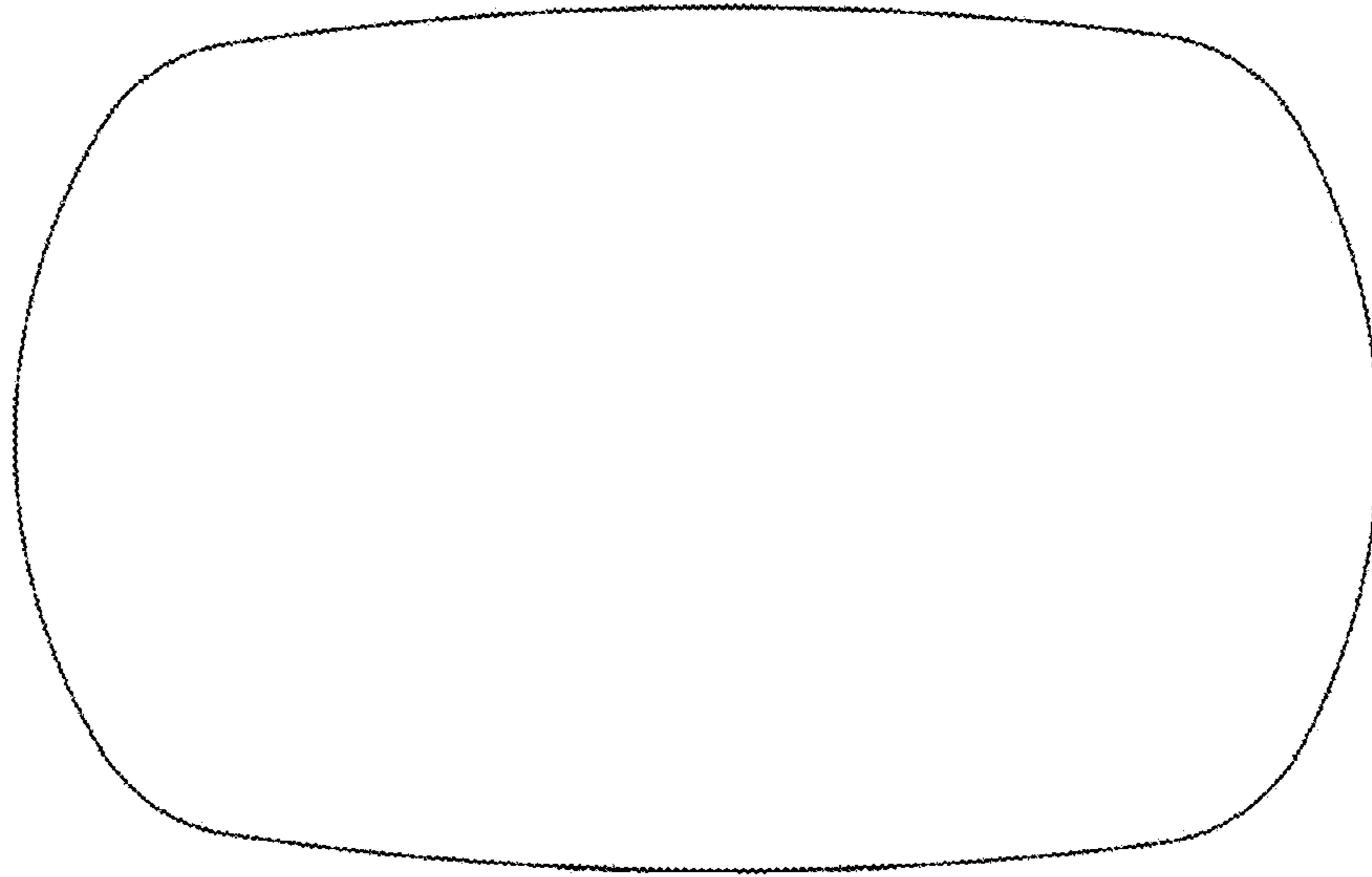


Fig 1

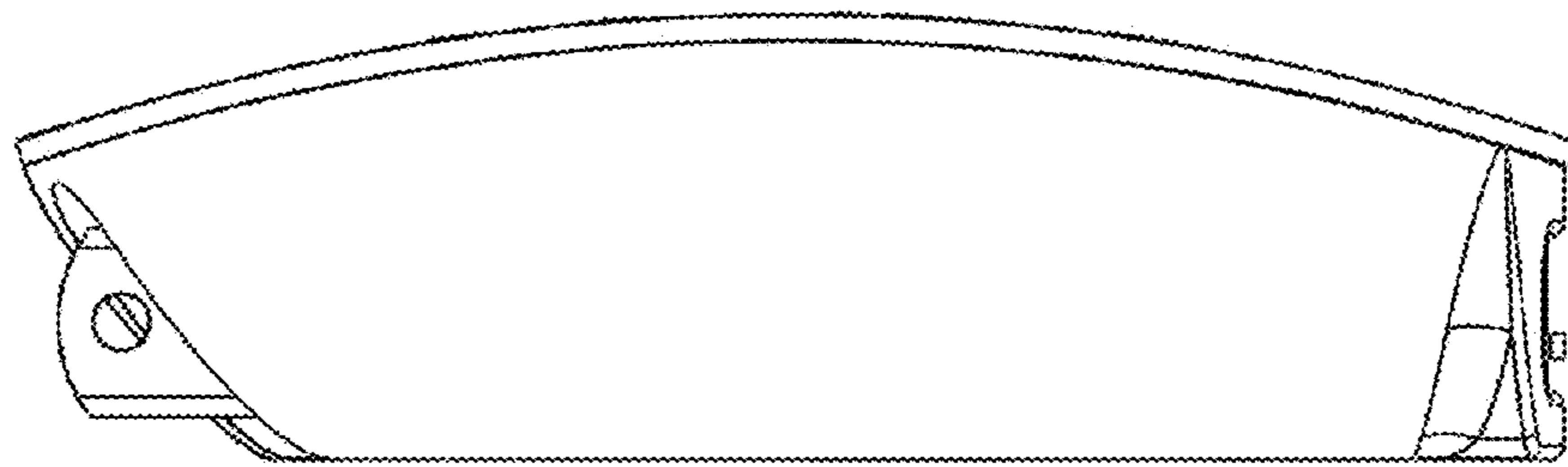


Fig 2

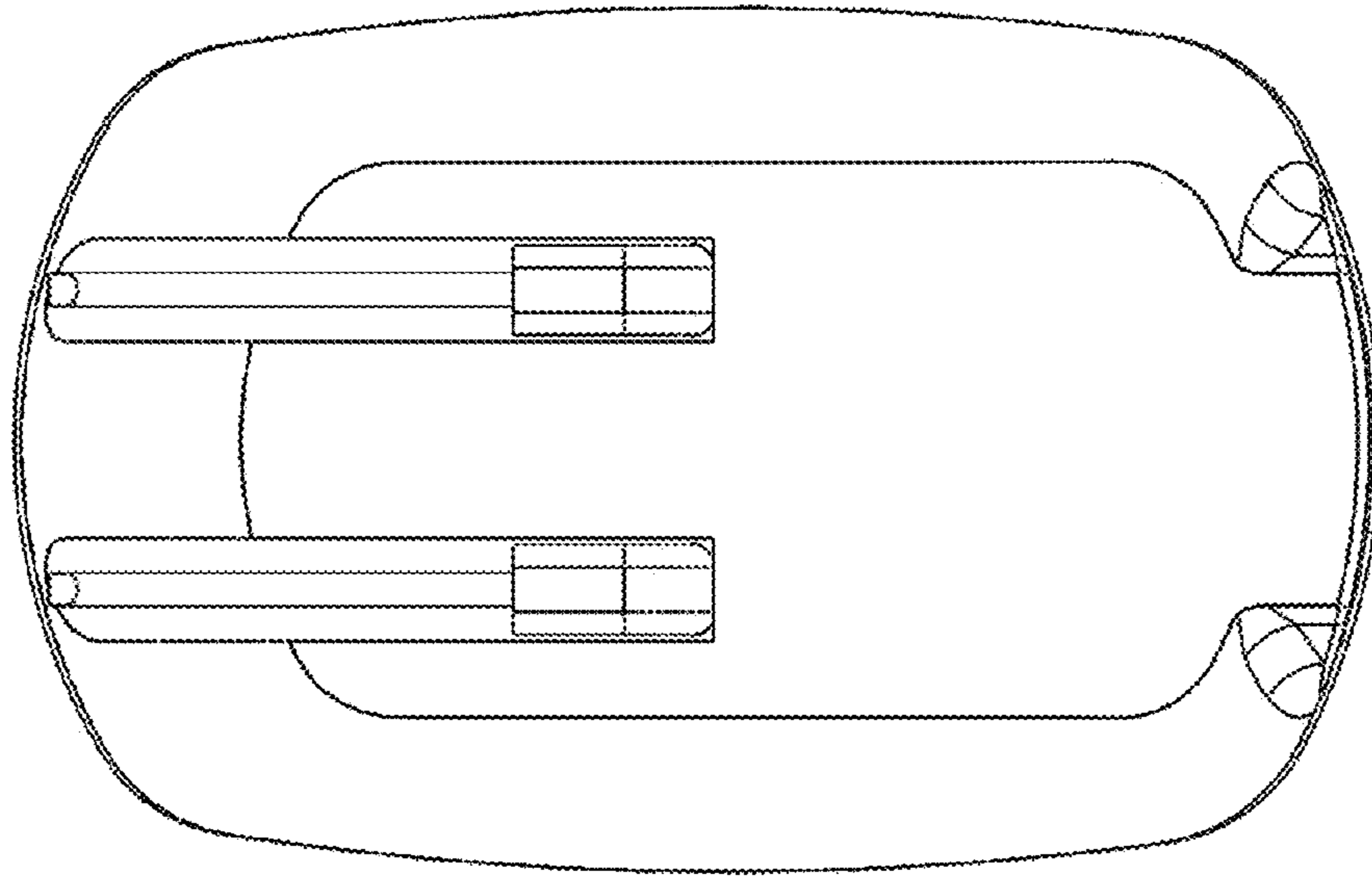


Fig 3

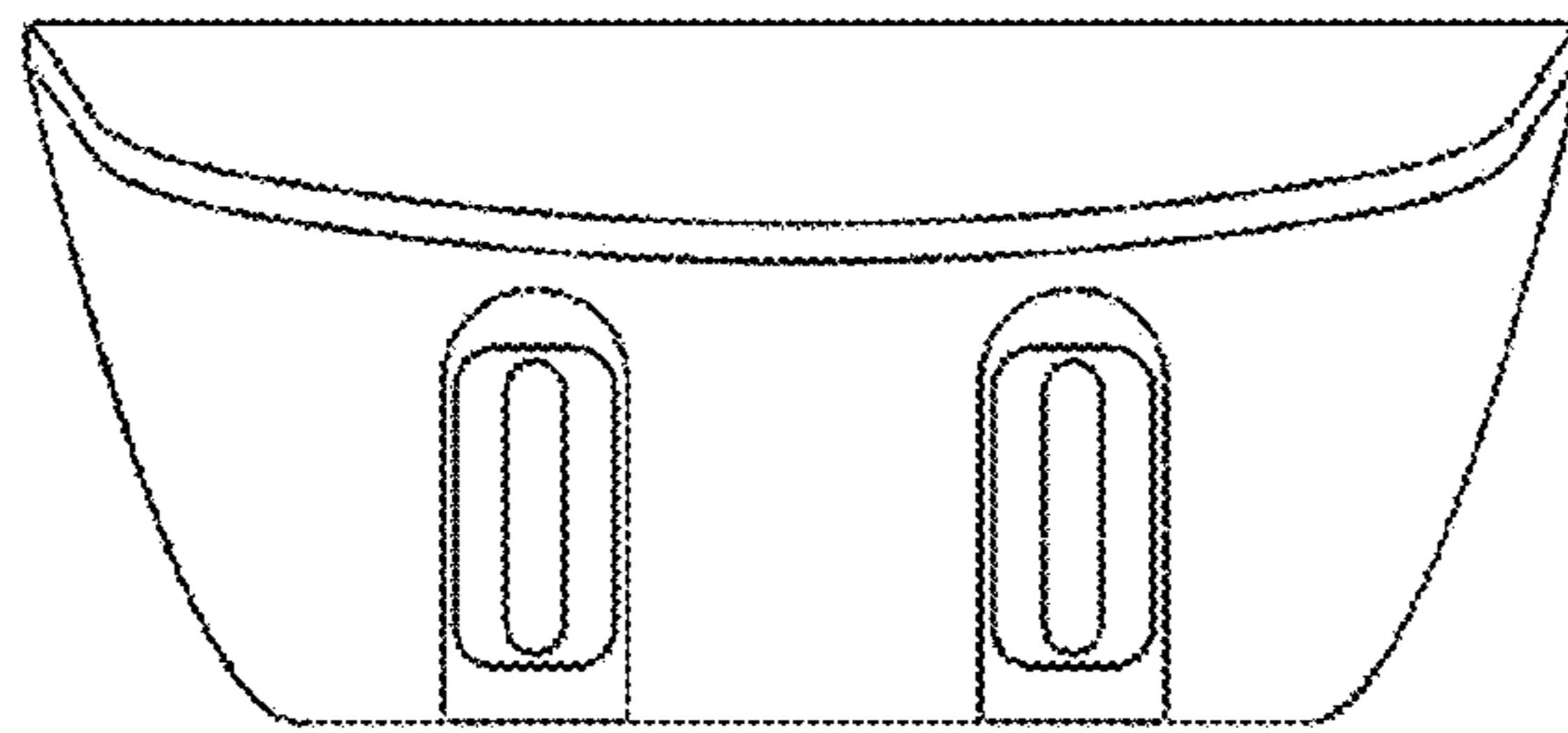


Fig 4

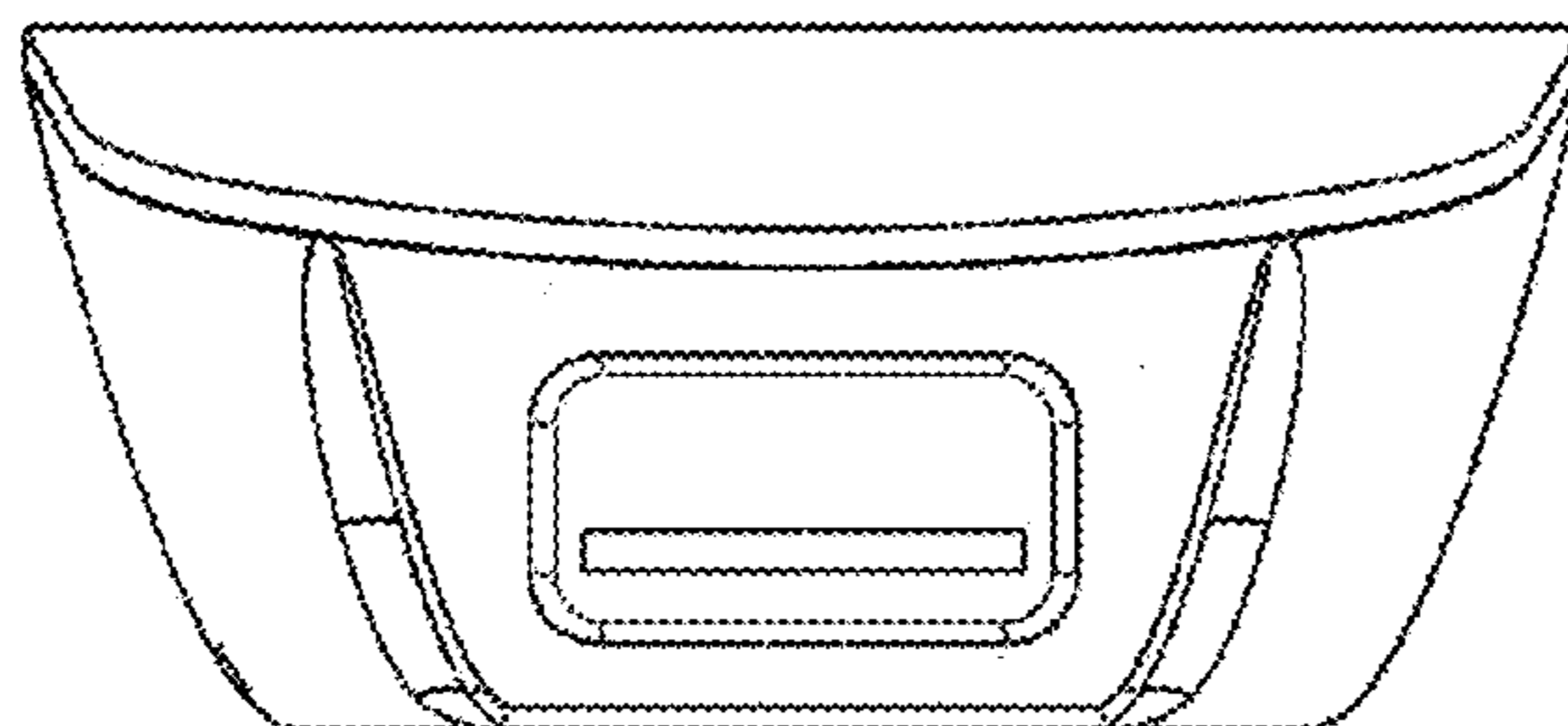


Fig 5

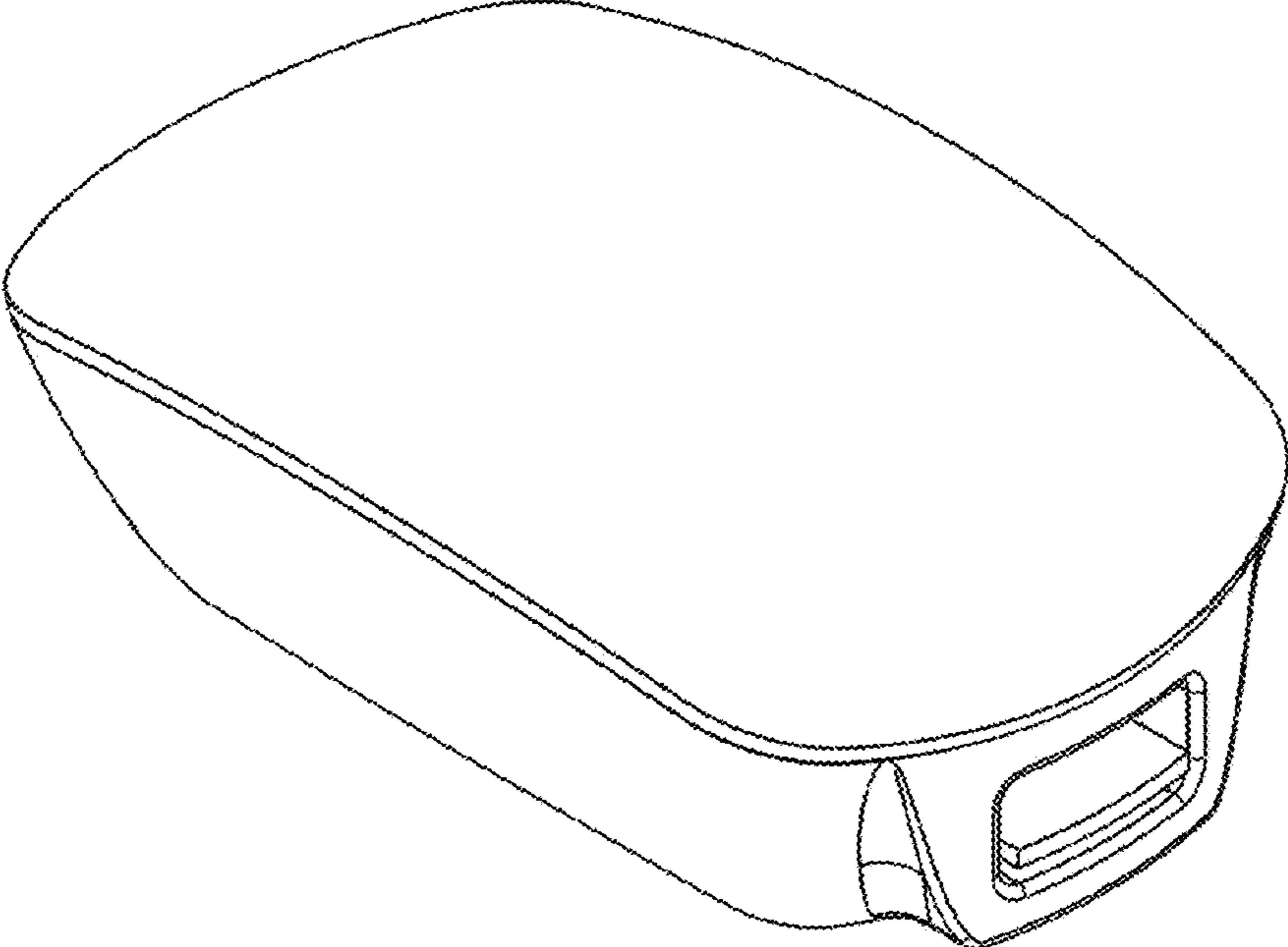


Fig 6

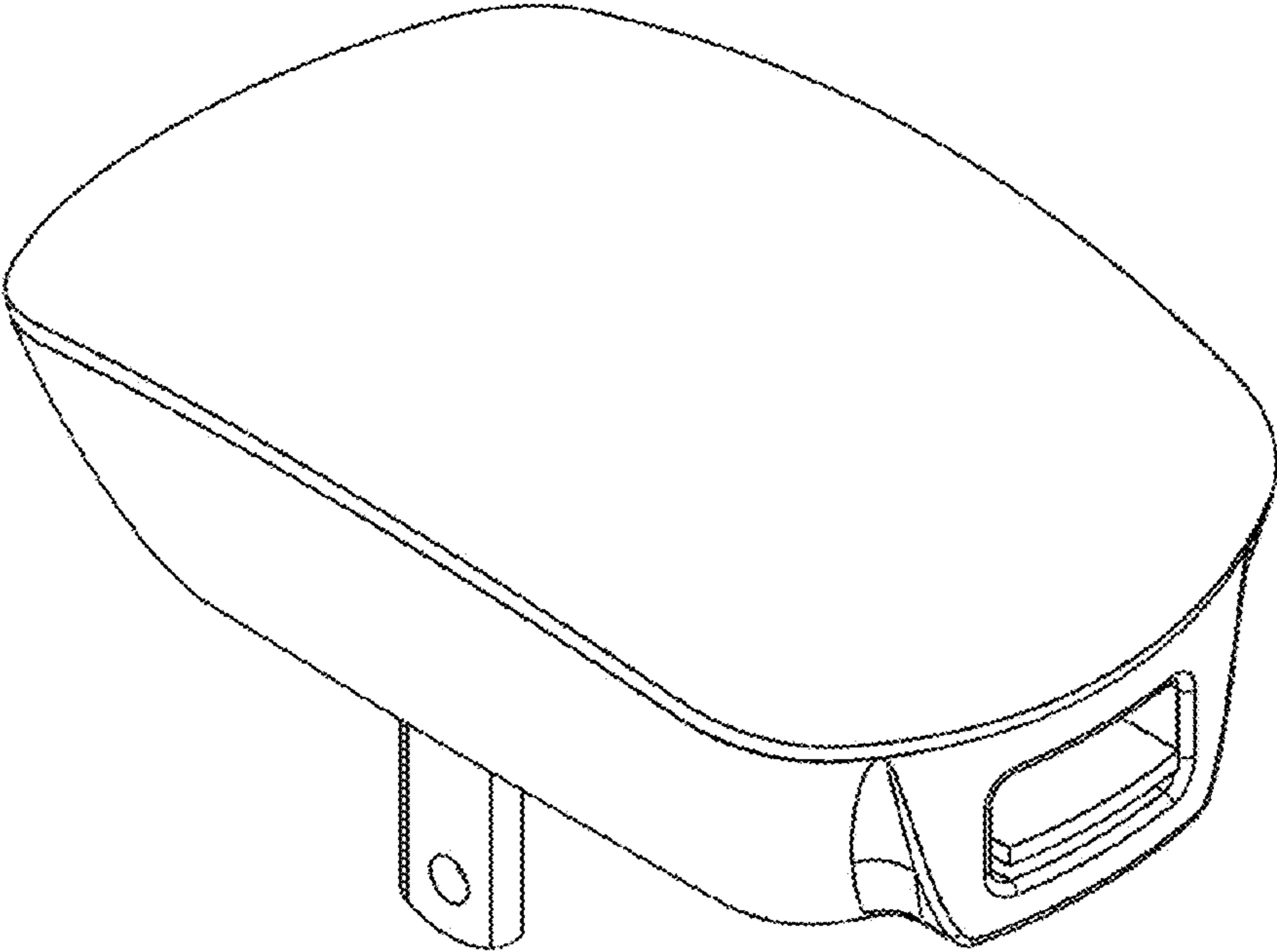


Fig 7