



US00D763783S

(12) **United States Design Patent**
Ono

(10) **Patent No.:** **US D763,783 S**

(45) **Date of Patent:** **** Aug. 16, 2016**

(54) **TREAD PORTION OF AN AUTOMOBILE TIRE**

(71) Applicant: **BRIDGESTONE CORPORATION**,
Tokyo (JP)

(72) Inventor: **Takatoshi Ono**, Tokyo (JP)

(73) Assignee: **BRIDGESTONE CORPORATION**,
Tokyo (JP)

(**) Term: **14 Years**

(21) Appl. No.: **29/515,803**

(22) Filed: **Jan. 27, 2015**

(30) **Foreign Application Priority Data**

Jul. 28, 2014 (JP) 2014-016374

(51) **LOC (10) Cl.** **12-15**

(52) **U.S. Cl.**
USPC **D12/588**

(58) **Field of Classification Search**
USPC D12/500-568, 580-604, 900
CPC B60C 1/0016; B60C 11/0306; B60C
11/0302; B60C 3/06; B60C 9/17
See application file for complete search history.

(56) **References Cited**

U.S. PATENT DOCUMENTS

D380,181 S * 6/1997 Maruyama D12/595
D456,320 S * 4/2002 Hutz D12/600
D517,471 S * 3/2006 Robert D12/600

D517,978 S * 3/2006 Robert D12/600
D609,175 S * 2/2010 Feider D12/586
D610,076 S * 2/2010 Tobino D12/600
D615,485 S * 5/2010 Hamada D12/600
D742,811 S * 11/2015 Fujioka D12/600
D746,225 S * 12/2015 Koog D12/600

OTHER PUBLICATIONS

Bridgestone R168 Tire found online [Feb. 25, 2016] <http://www.evwtires.ro/anvelope/235-75-r17-5-bridgestone-r168-ro>.*

* cited by examiner

Primary Examiner — Robert M Spear

Assistant Examiner — John Voytek

(74) *Attorney, Agent, or Firm* — Sughrue Mion, PLLC

(57) **CLAIM**

The ornamental design for a tread portion of an automobile tire, as shown and described.

DESCRIPTION

FIG. 1 is a perspective view of a tread portion of an automobile tire showing my design;
FIG. 2 is a front view thereof;
FIG. 3 is a right side view thereof;
FIG. 4 is a left side view thereof;
FIG. 5 is a rear view thereof;
FIG. 6 is a fragmentary enlarged front view surrounded by line A-A and B-B in FIG. 2; and,
FIG. 7 is a sectional view taken in the direction of line 7-7 in FIG. 6.

The broken lines in the drawings are intended to show portions of the tire that are not being claimed, and thus form no part of the claimed design.

1 Claim, 7 Drawing Sheets

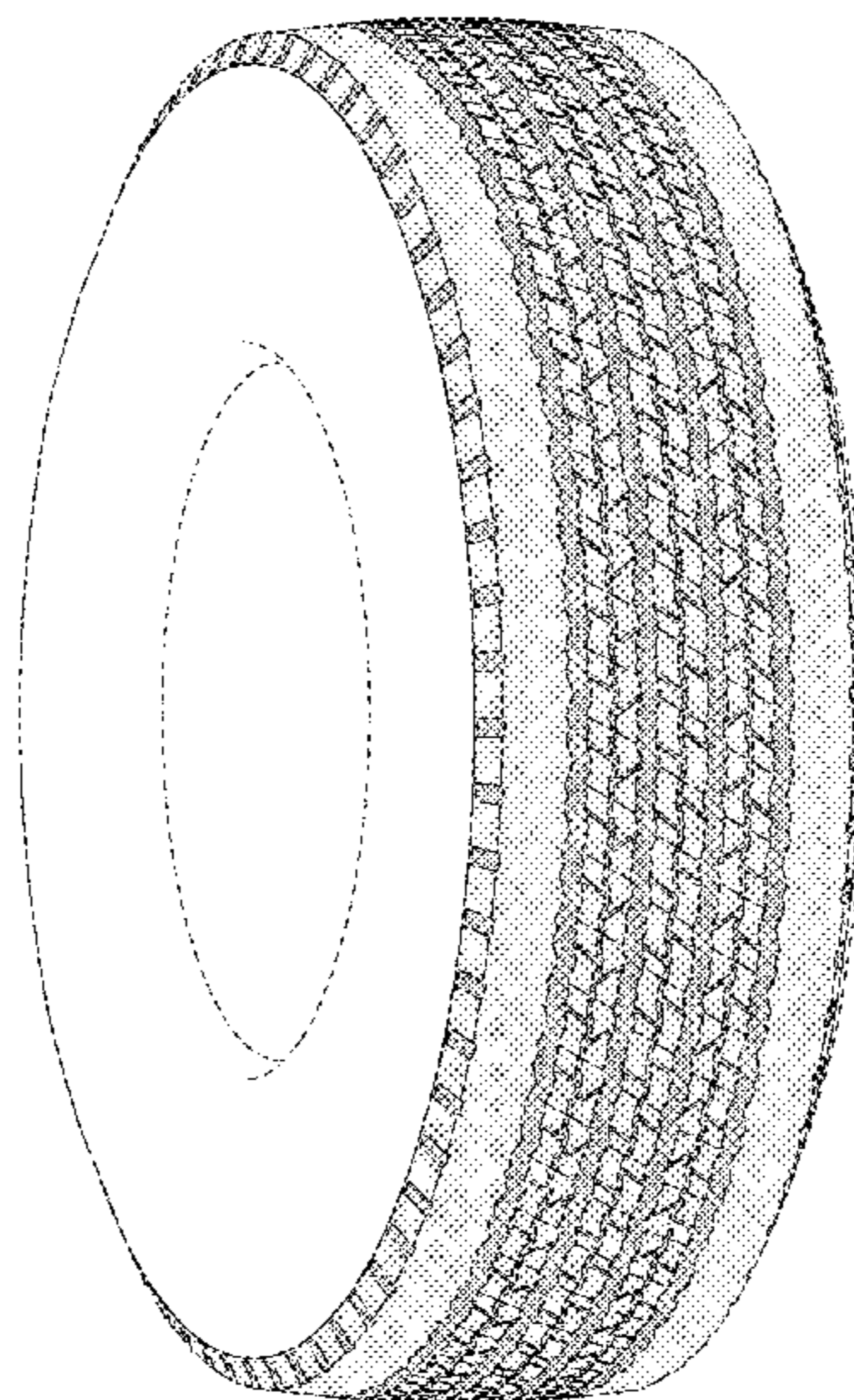


FIG. 1

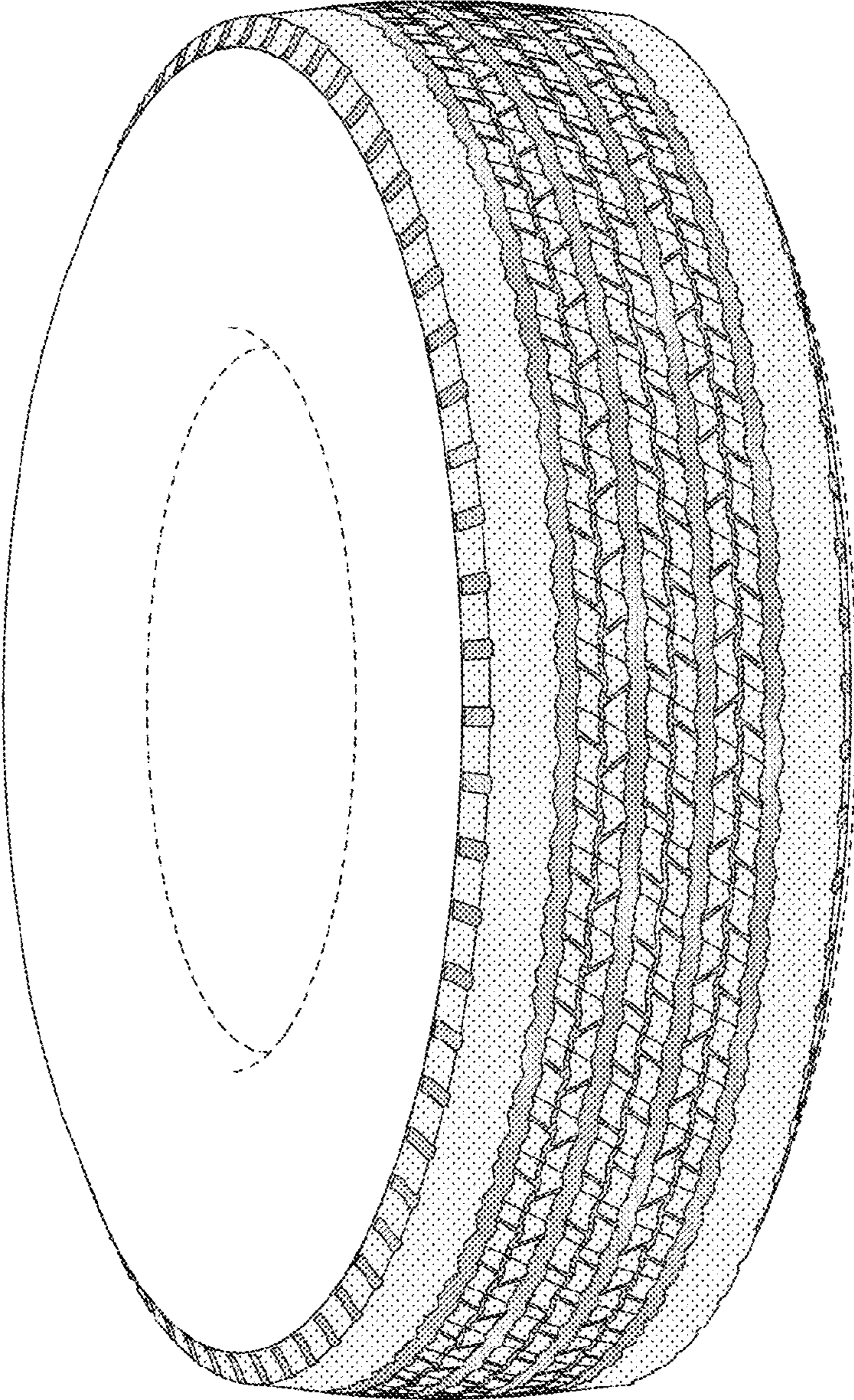


FIG. 2

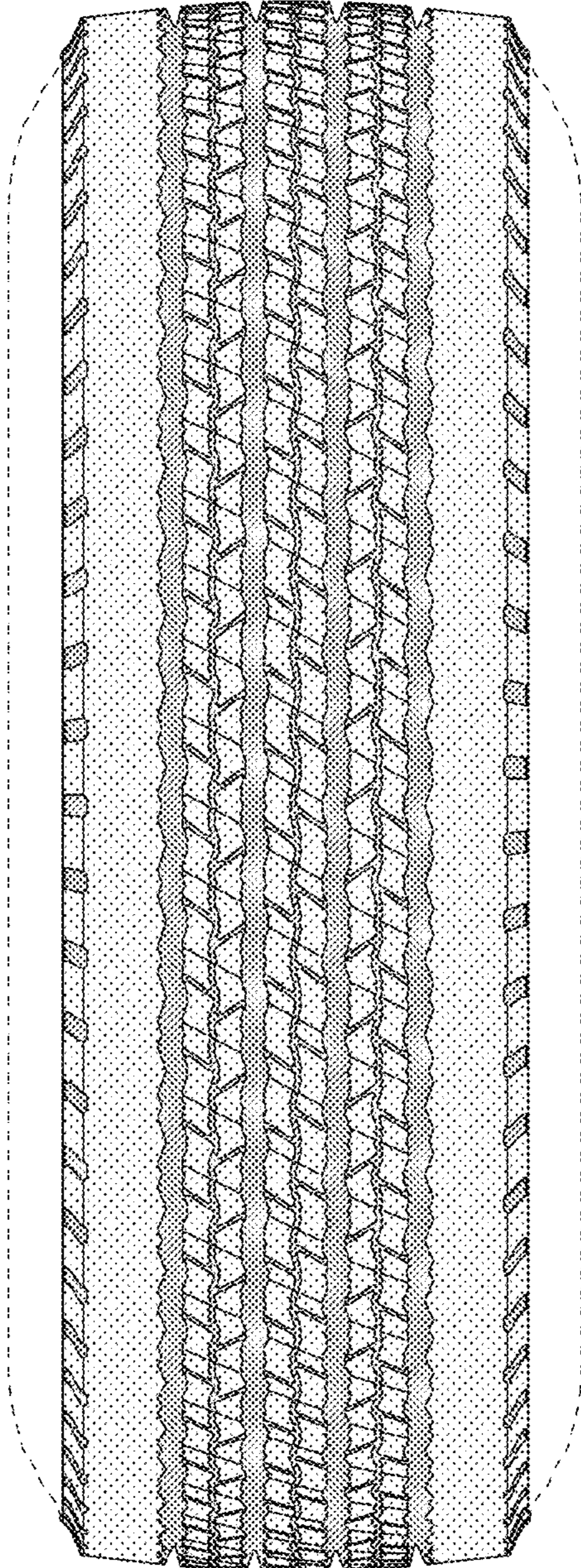


FIG. 3

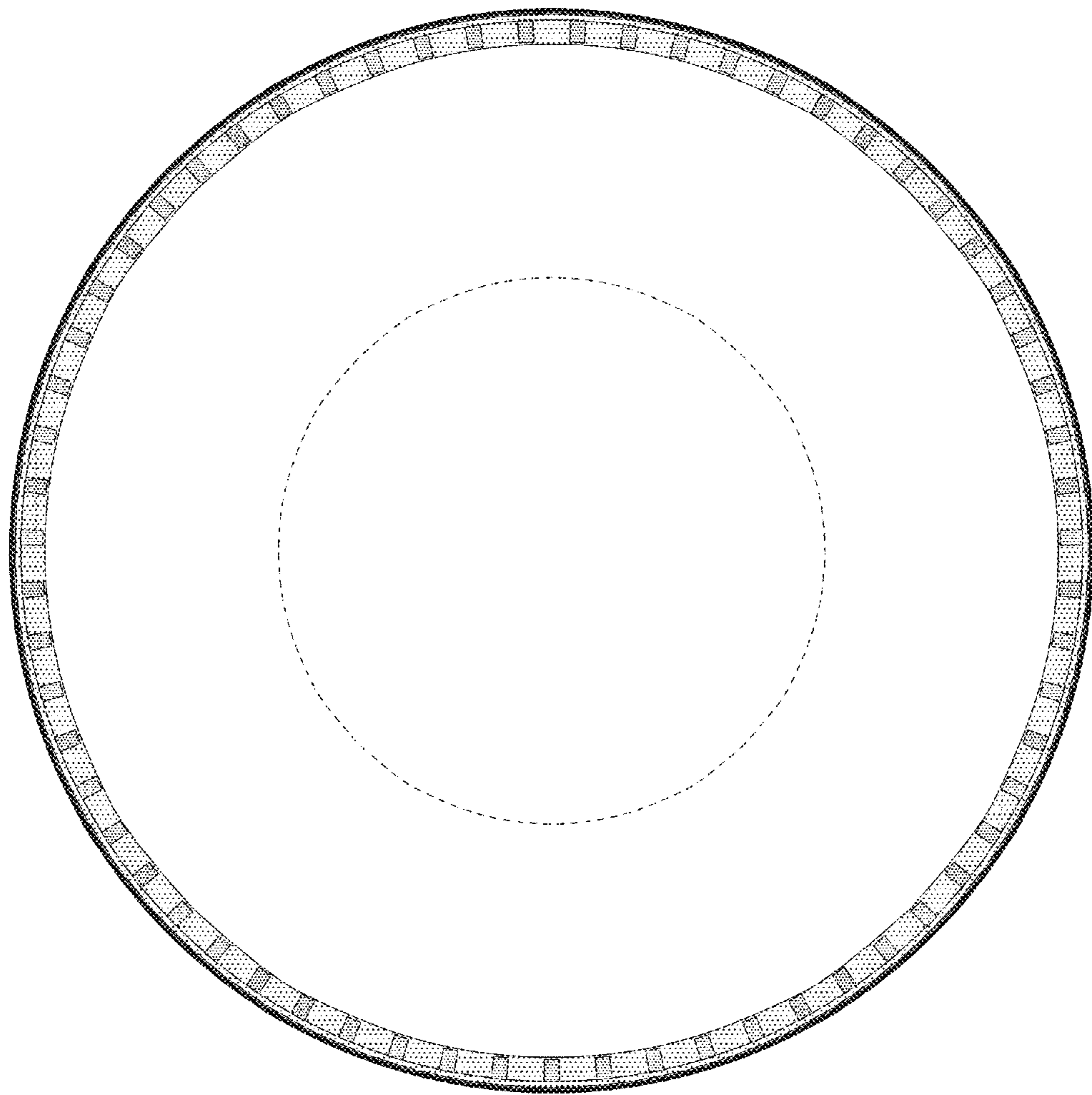


FIG. 4

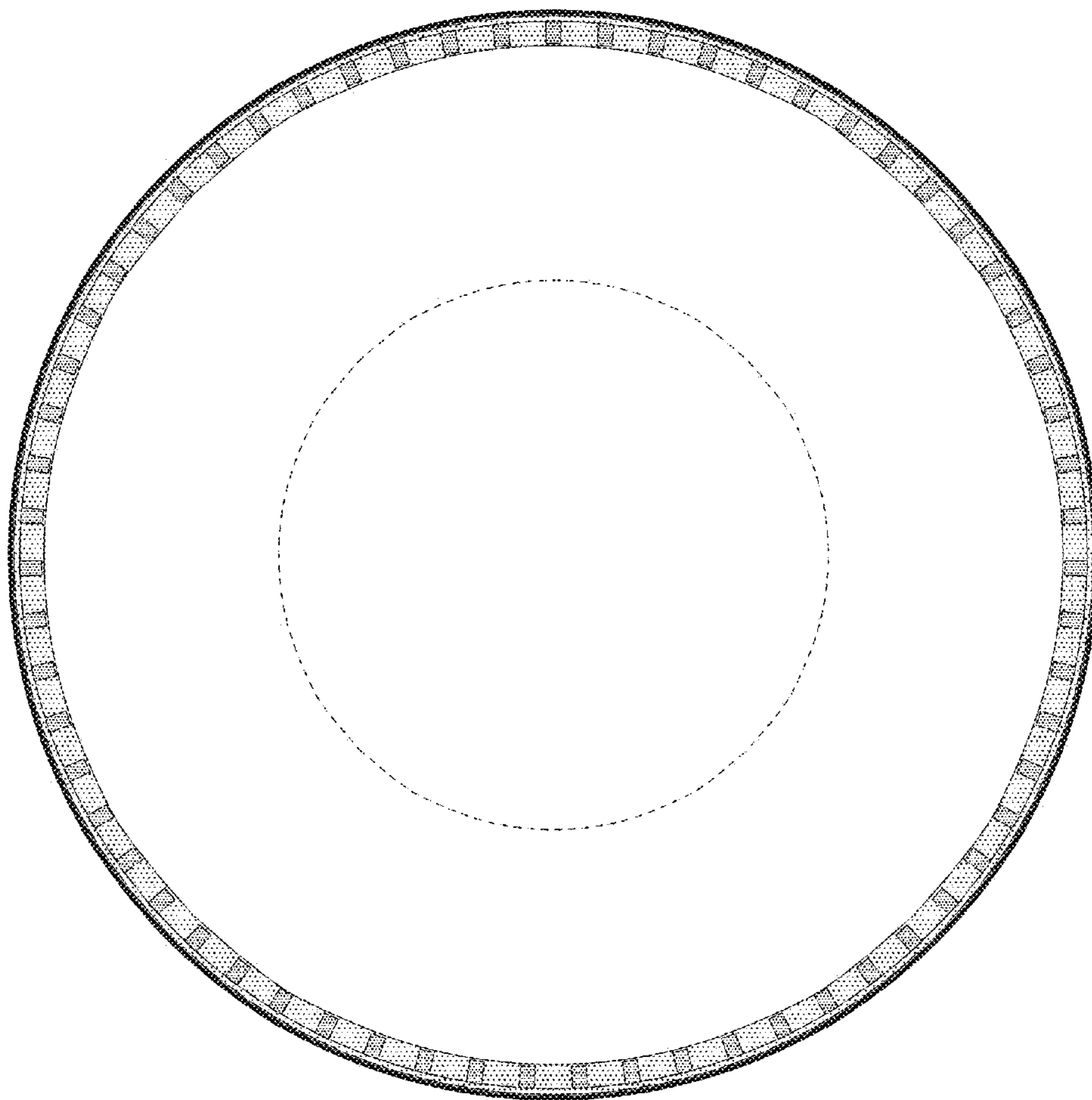


FIG. 5

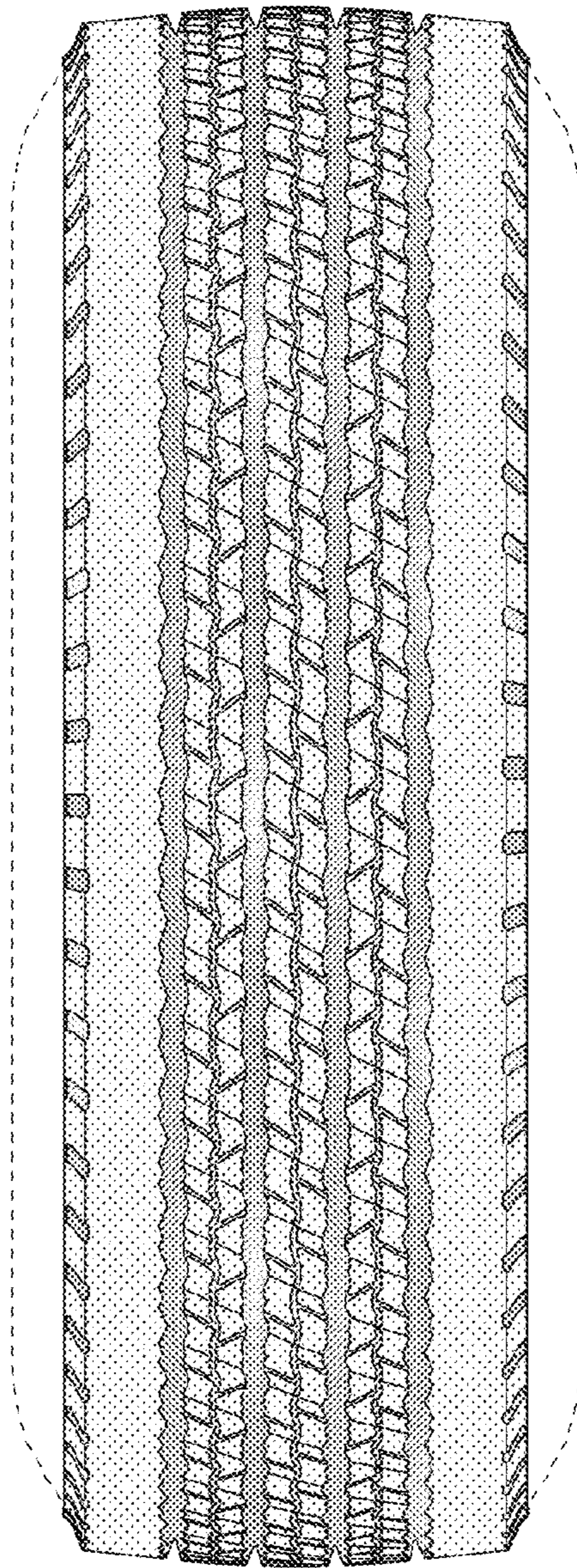


FIG. 6

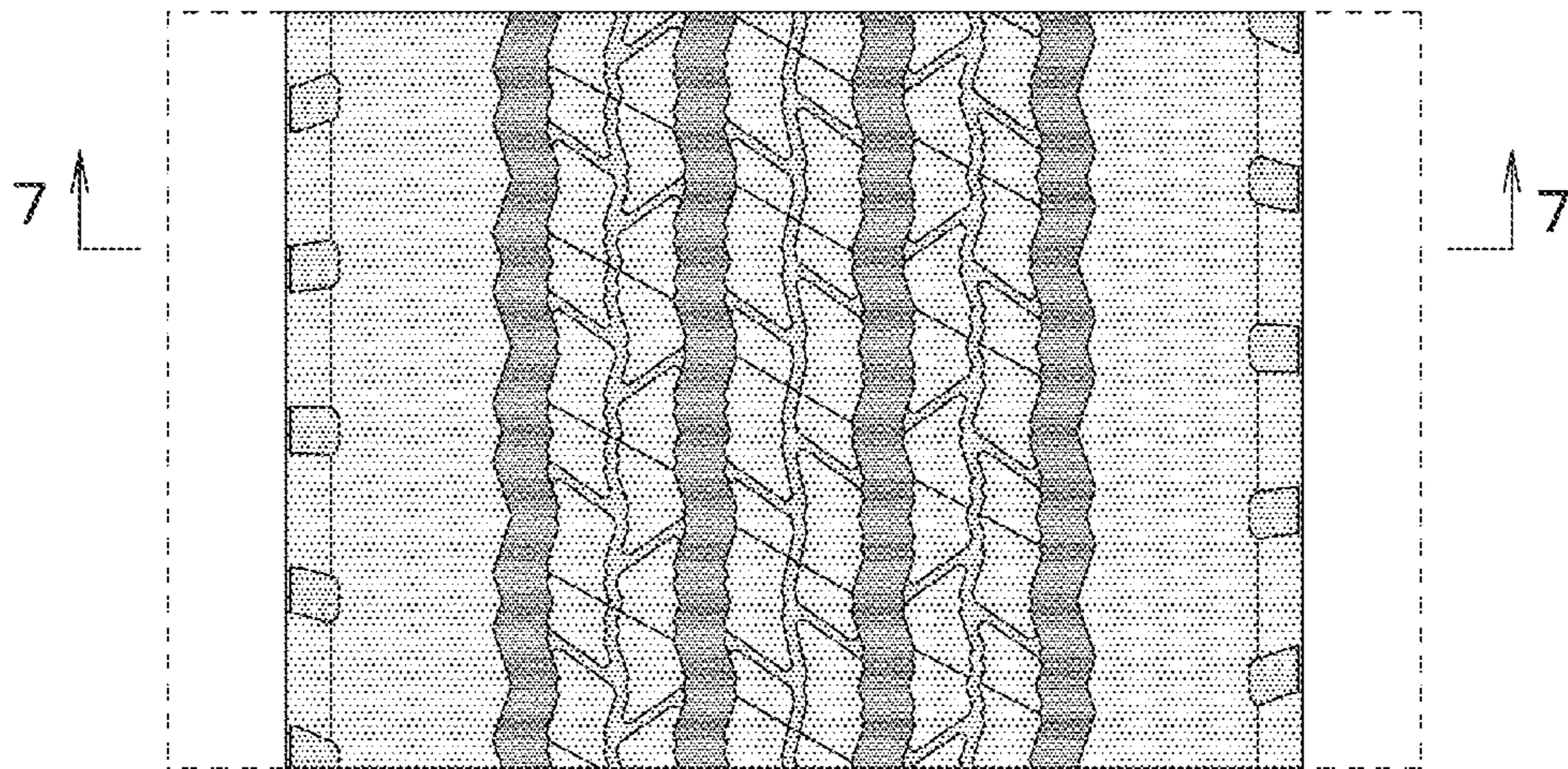


FIG. 7

