



US00D763776S

(12) **United States Design Patent**  
**Braver et al.**

(10) **Patent No.:** **US D763,776 S**

(45) **Date of Patent:** **\*\* Aug. 16, 2016**

- (54) **MARINE VESSEL**
- (71) Applicants: **Skip Braver**, Opa Locka, FL (US);  
**Sidney Lanier**, Bradenton, FL (US)
- (72) Inventors: **Skip Braver**, Opa Locka, FL (US);  
**Sidney Lanier**, Bradenton, FL (US)
- (73) Assignee: **Cigarette Racing Team, LLC.**, Opa  
Locka, FL (US)
- (\*\*) Term: **14 Years**
- (21) Appl. No.: **29/521,051**
- (22) Filed: **Mar. 19, 2015**

4,688,506 A	8/1987	Van Breems
4,729,334 A	3/1988	DeJean, Jr.
4,744,778 A	5/1988	Porter
4,807,556 A	2/1989	Hillier
D306,007 S	2/1990	DePrey et al.
4,917,037 A	4/1990	Hargett, Sr.
D310,059 S	8/1990	Porter
D315,892 S	4/1991	Tollefson et al.
D319,424 S	8/1991	Marks
5,044,294 A	9/1991	Kronich et al.
D322,240 S	12/1991	Carlson
5,136,963 A	8/1992	Zuzik
D329,038 S	9/1992	Dekker et al.
5,143,013 A	9/1992	Huebner
5,211,126 A	5/1993	Johnson
5,224,297 A	7/1993	Watkins

(Continued)

**Related U.S. Application Data**

- (63) Continuation-in-part of application No. 29/503,370,  
filed on Sep. 25, 2014.
- (51) **LOC (10) Cl.** ..... **12-06**
- (52) **U.S. Cl.**  
USPC ..... **D12/300**
- (58) **Field of Classification Search**  
USPC ..... D12/300, 302, 303, 304, 307, 310–314,  
D12/316, 317; 114/39.11–39.15,  
114/39.21–39.32, 61.1, 61.2, 61.32, 61.33,  
114/62, 355–358, 271, 273, 283, 288–292,  
114/343, 363; 440/27, 35  
CPC ..... B63B 17/00; B63B 17/02; B63B 35/81;  
B63B 35/816; B62B 21/04  
See application file for complete search history.

(56) **References Cited**

**U.S. PATENT DOCUMENTS**

D246,035 S	10/1977	Rudiger
4,425,861 A	1/1984	Raikamo
4,469,040 A	9/1984	Gougeon et al.
D277,472 S	2/1985	Alter
D280,094 S	8/1985	Riviezzo
4,548,155 A	10/1985	Hegg et al.
D290,949 S	7/1987	Scarboro

**FOREIGN PATENT DOCUMENTS**

EM 1380455-0001 8/2013

*Primary Examiner* — Cynthia M Chin

(74) *Attorney, Agent, or Firm* — Malloy & Malloy, P.L.

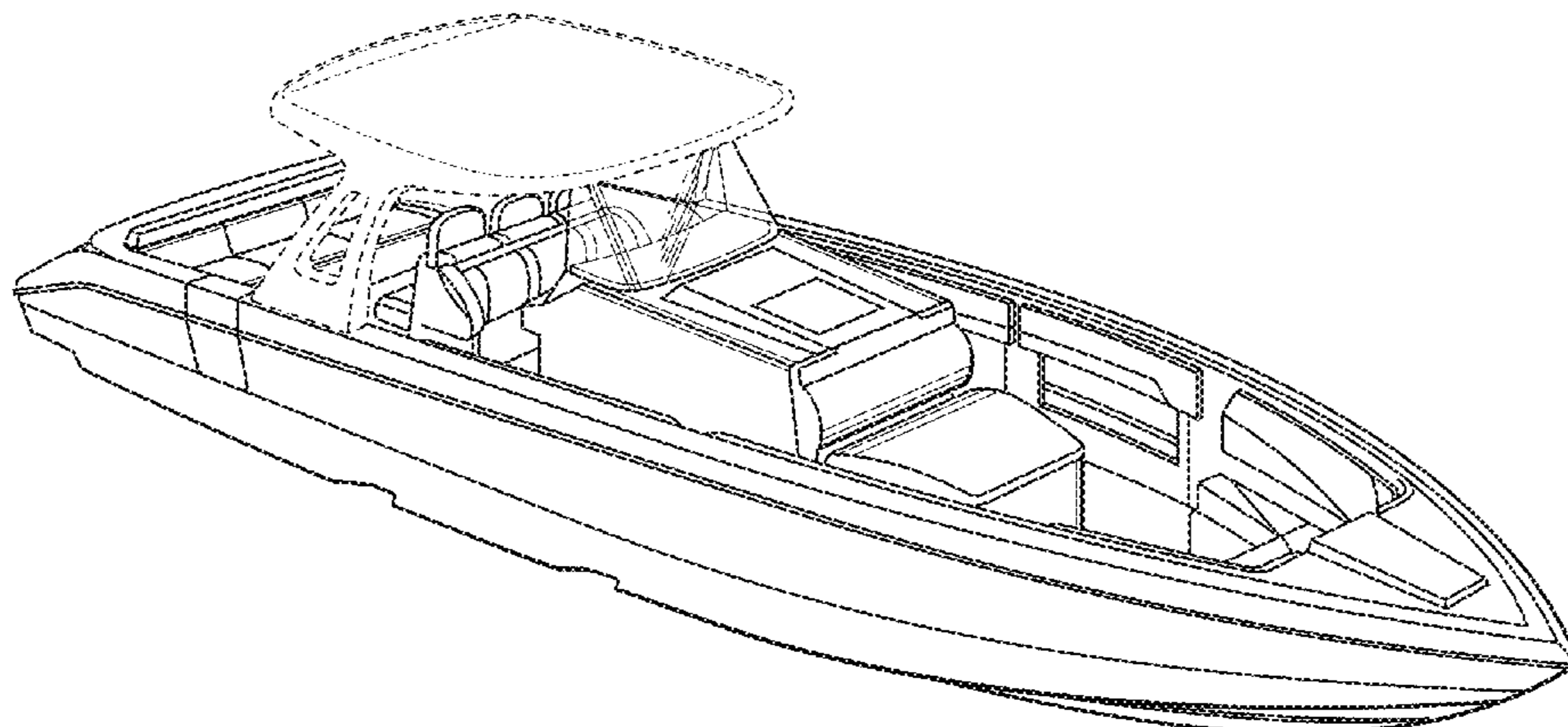
(57) **CLAIM**

The ornamental design for a marine vessel, as shown and described.

**DESCRIPTION**

FIG. 1 is a perspective view illustrating my design for a marine vessel;  
 FIG. 2 is a right side elevation view thereof;  
 FIG. 3 is a left side elevation view thereof;  
 FIG. 4 is a top plan view thereof;  
 FIG. 5 is a top plan view of the marine vessel with the top removed;  
 FIG. 6 is a bottom plan view thereof;  
 FIG. 7 is a front elevation view thereof; and,  
 FIG. 8 is a rear elevation view thereof.  
 The broken lines shown are included for the purpose of illustrating the unclaimed portions of the marine vessel and form no part of the claimed design.

**1 Claim, 8 Drawing Sheets**



(56)

References Cited

U.S. PATENT DOCUMENTS

5,232,385	A	8/1993	Hatfield				
D345,339	S	3/1994	Wenstadt et al.				
D349,090	S	7/1994	Wenstadt				
D357,223	S	4/1995	Thompson et al.				
D375,479	S	11/1996	Lapointe et al.				
5,715,770	A	2/1998	Heyworth				
D393,443	S *	4/1998	Cassell .....	D12/314			
5,934,215	A	8/1999	Burg				
5,937,777	A	8/1999	Azima				
D429,682	S	8/2000	Garland et al.				
D430,098	S	8/2000	Vuckovis				
6,131,340	A	10/2000	Clark et al.				
6,354,236	B1	3/2002	Davidson				
6,701,863	B2	3/2004	Kalhok et al.				
D509,469	S	9/2005	Longpre et al.				
D514,054	S *	1/2006	Blount .....	D12/300			
D524,714	S *	7/2006	Barbeito .....	D12/300			
D547,256	S	7/2007	Kalil				
7,237,503	B2	7/2007	Stepp				
D548,666	S	8/2007	Laupman				
7,255,054	B1	8/2007	DiGregorio				
D553,071	S	10/2007	De Rover				
D574,313	S	8/2008	De Rover				
D587,641	S	3/2009	Bouckaert				
					7,591,228	B2	9/2009 Hopper et al.
					D642,108	S	7/2011 Gros
					8,443,746	B2	5/2013 Pegg et al.
					D700,127	S	2/2014 Fuller, IV
					D717,226	S	11/2014 Braver et al.
					D726,635	S	4/2015 Curts
					9,003,997	B2 *	4/2015 Gratz .....
							B63B 17/00
							114/362
					9,021,972	B1	5/2015 Braver et al.
					D738,284	S	9/2015 Okuyama et al.
					D743,318	S	11/2015 Curts
					2005/0087117	A1	4/2005 Scott et al.
					2007/0006789	A1	1/2007 Davidson et al.
					2009/0227157	A1	9/2009 Mochizuki
					2010/0037814	A1	2/2010 Sahr et al.
					2010/0282154	A1	11/2010 Cook et al.
					2010/0319604	A1	12/2010 Mayrand et al.
					2011/0197800	A1	8/2011 Kalil
					2011/0223815	A1	9/2011 Kinoshita
					2012/0028517	A1	2/2012 Mochizuki et al.
					2013/0055944	A1	3/2013 Poulsen
					2013/0160695	A1	6/2013 Gratz et al.
					2013/0247813	A1	9/2013 Pegg et al.
					2014/0116319	A1	5/2014 Dougherty et al.
					2014/0202372	A1	7/2014 De Basto et al.
					2014/0216320	A1	8/2014 Lee

\* cited by examiner

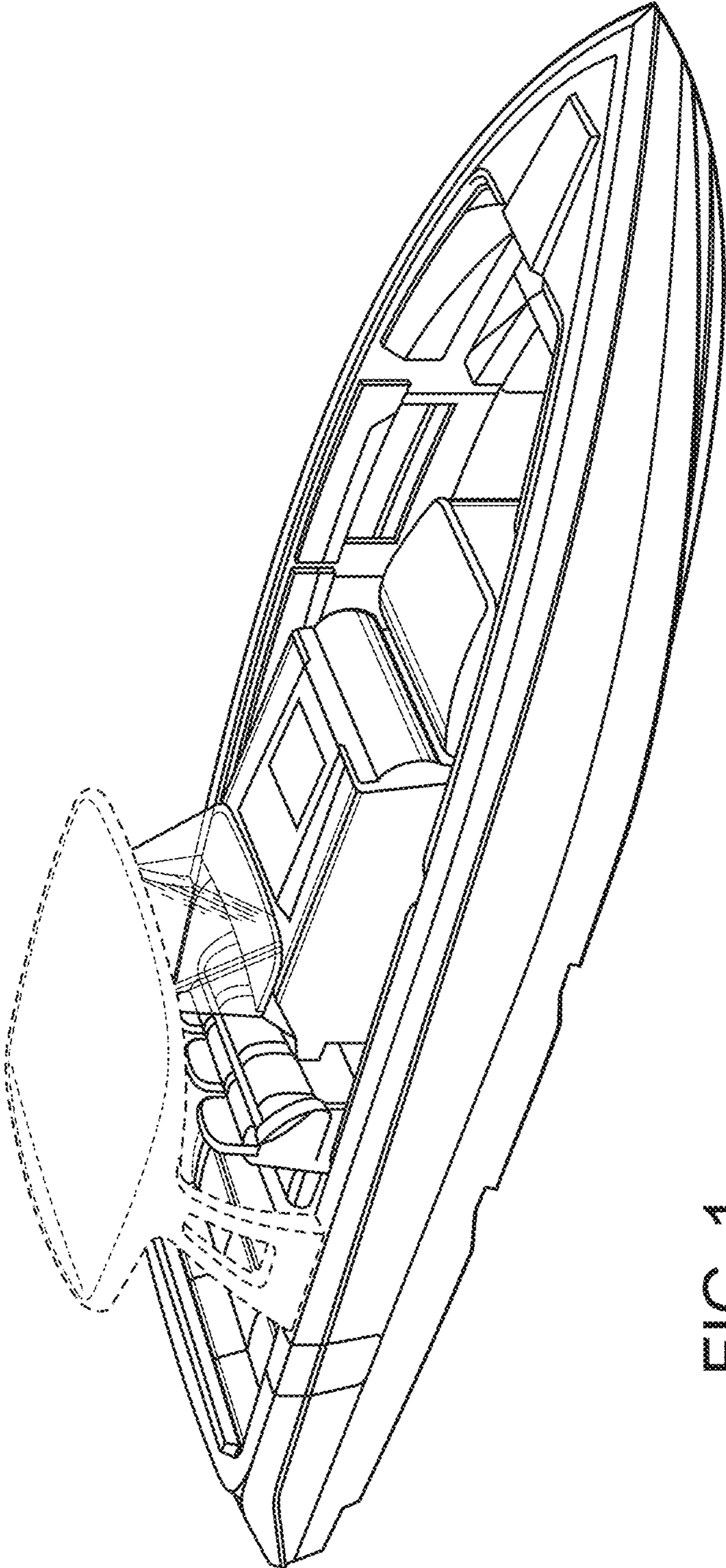


FIG. 1

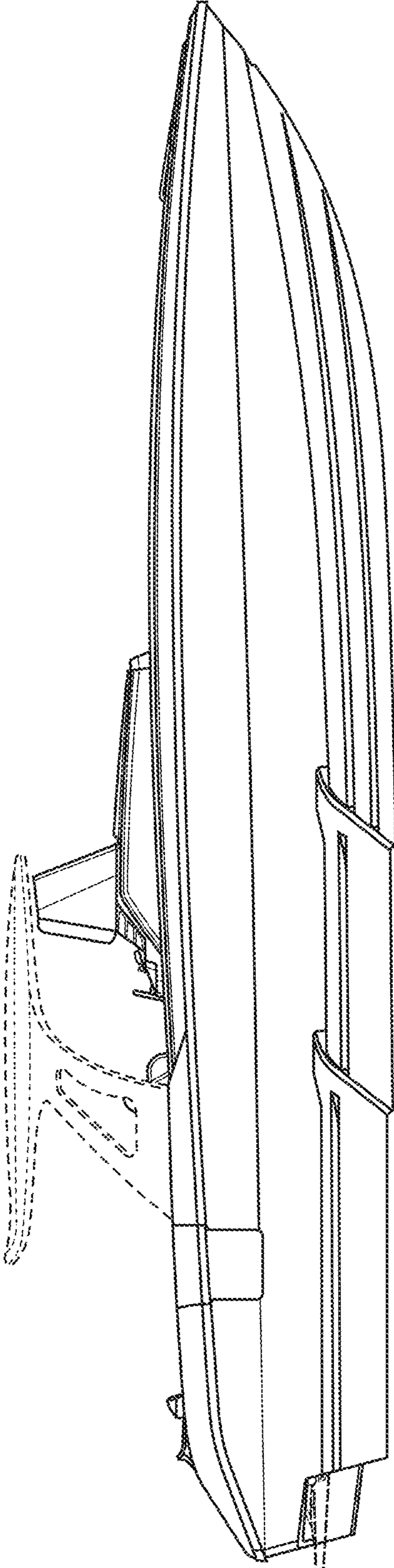


FIG. 2

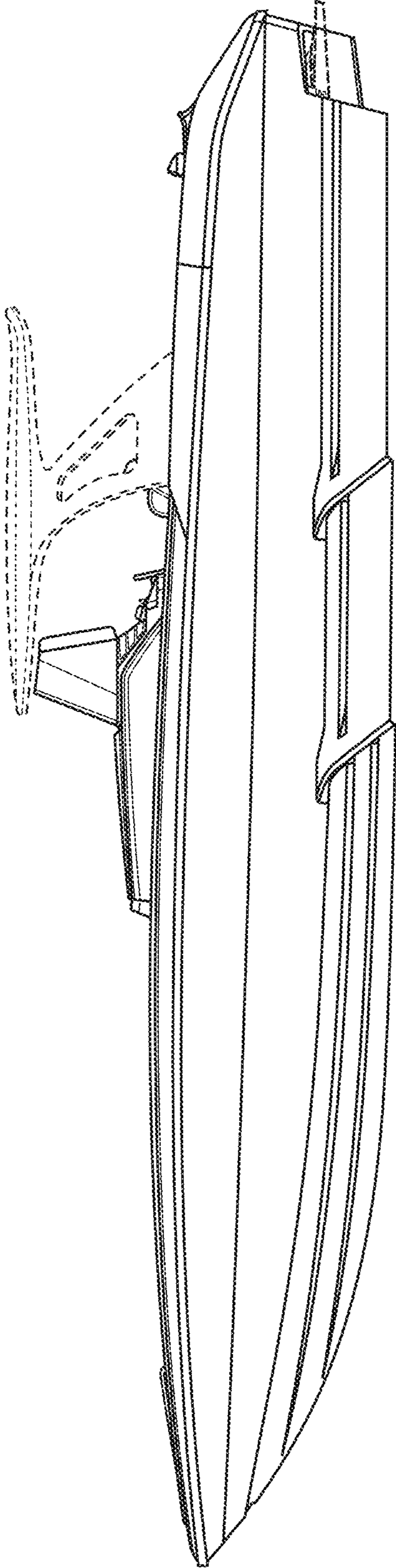


FIG. 3

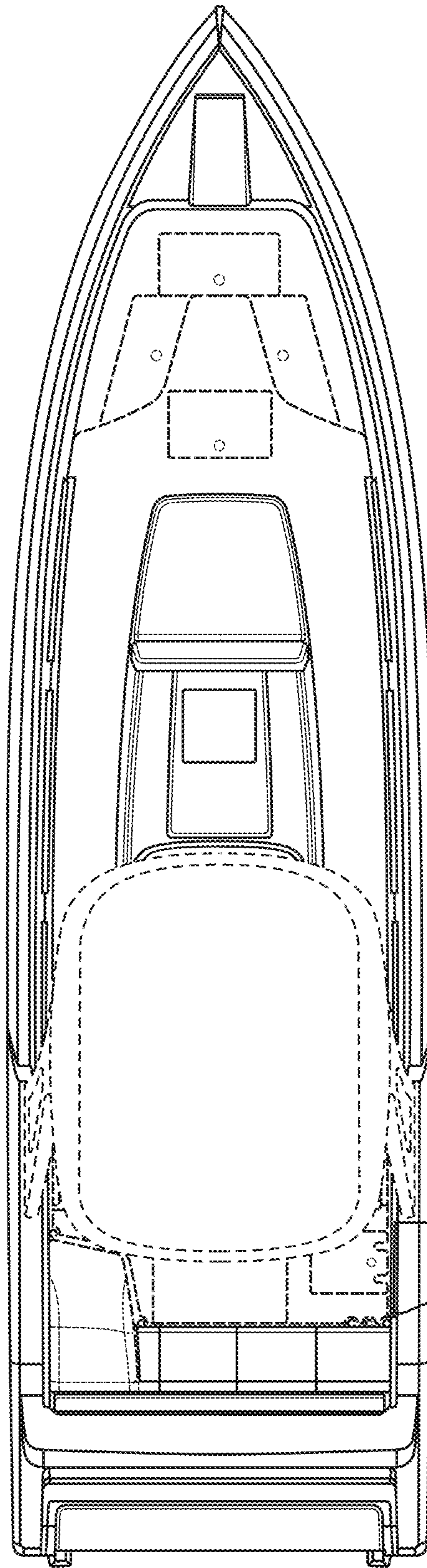


FIG. 4

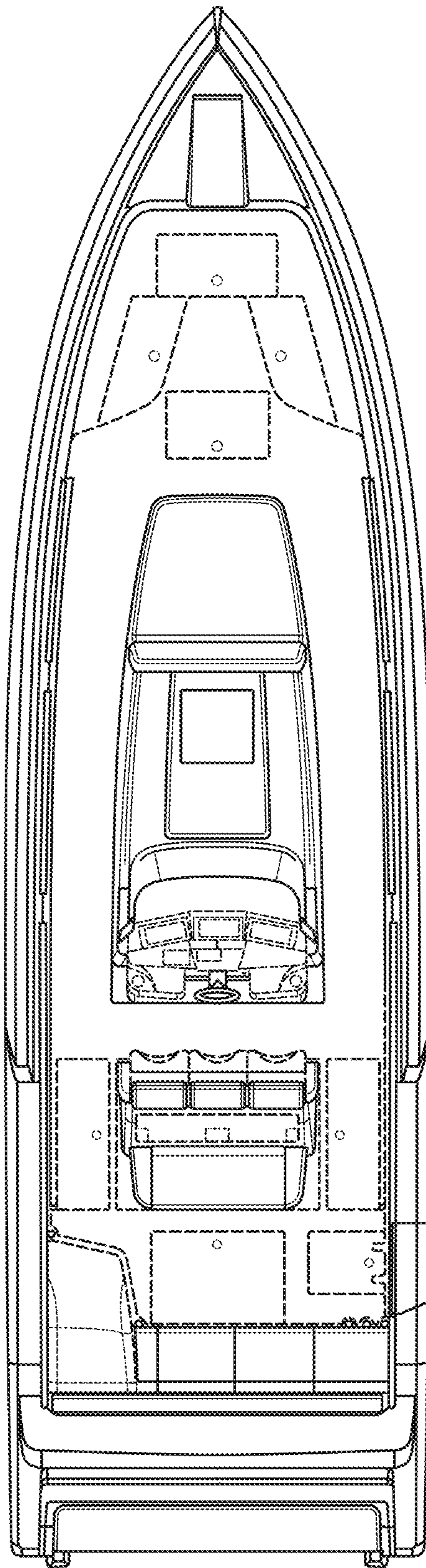


FIG. 5

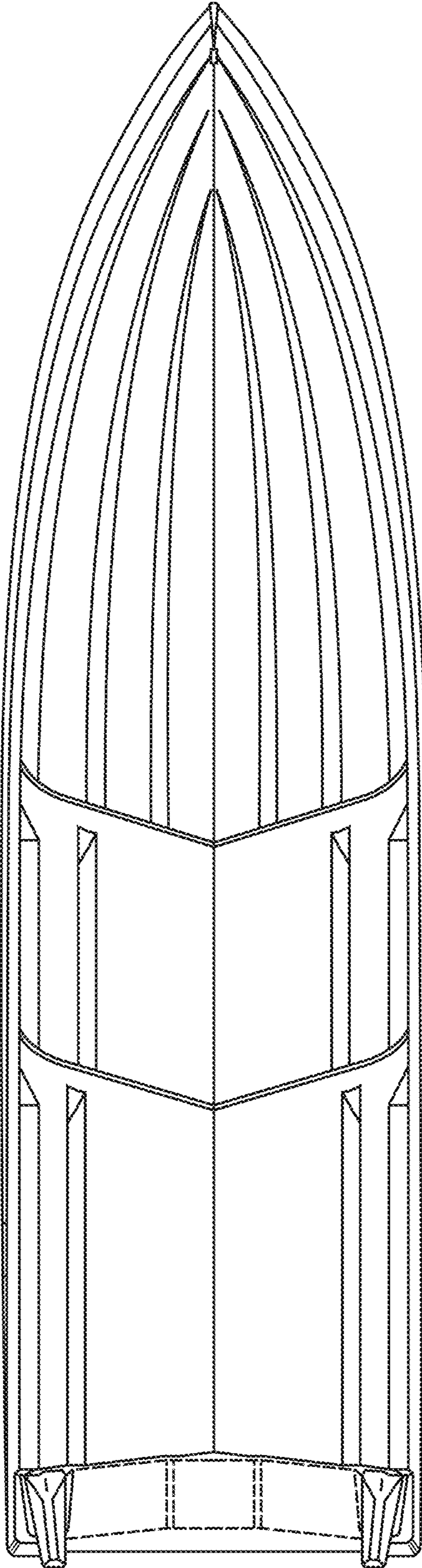


FIG. 6



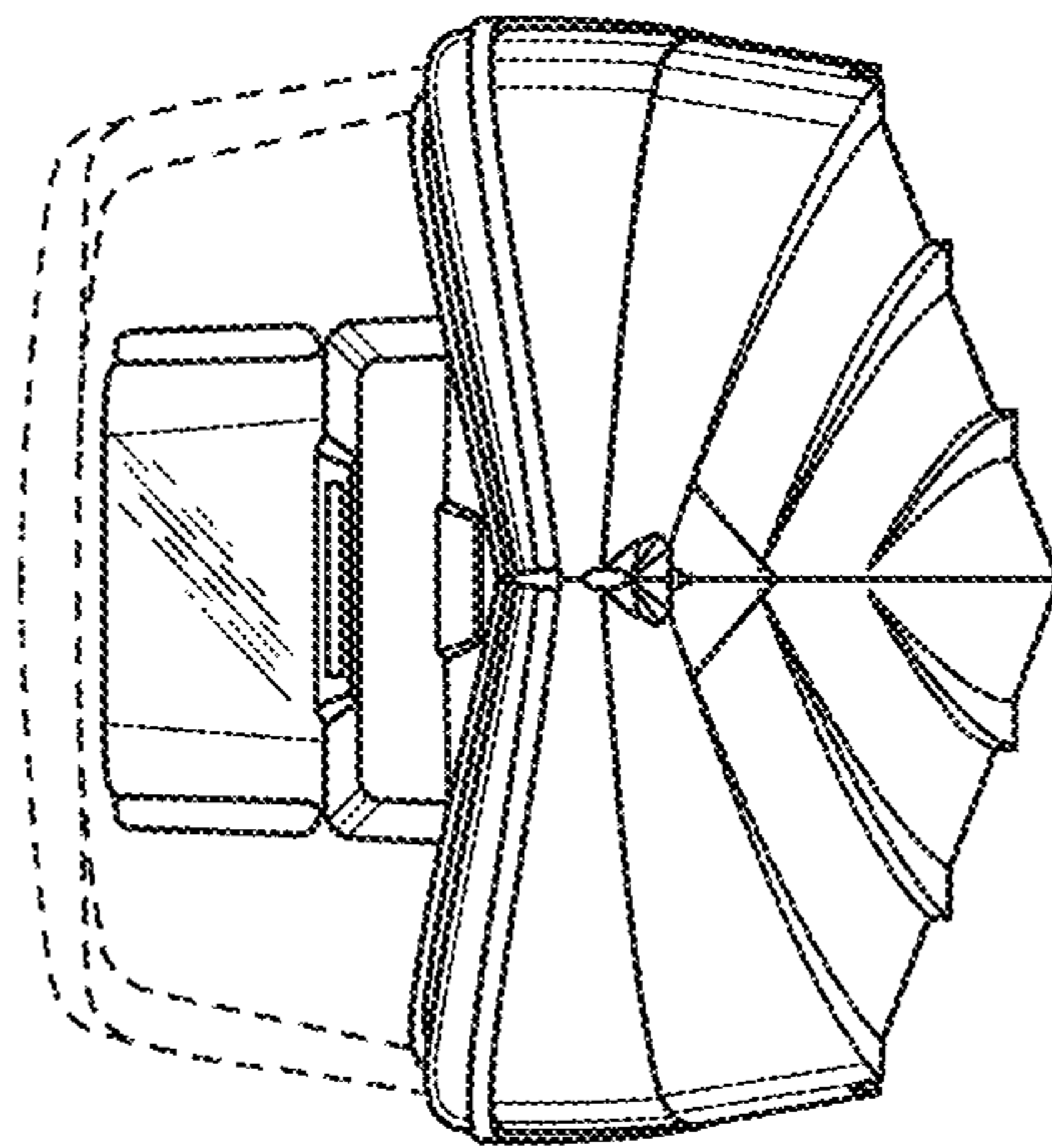


FIG. 7

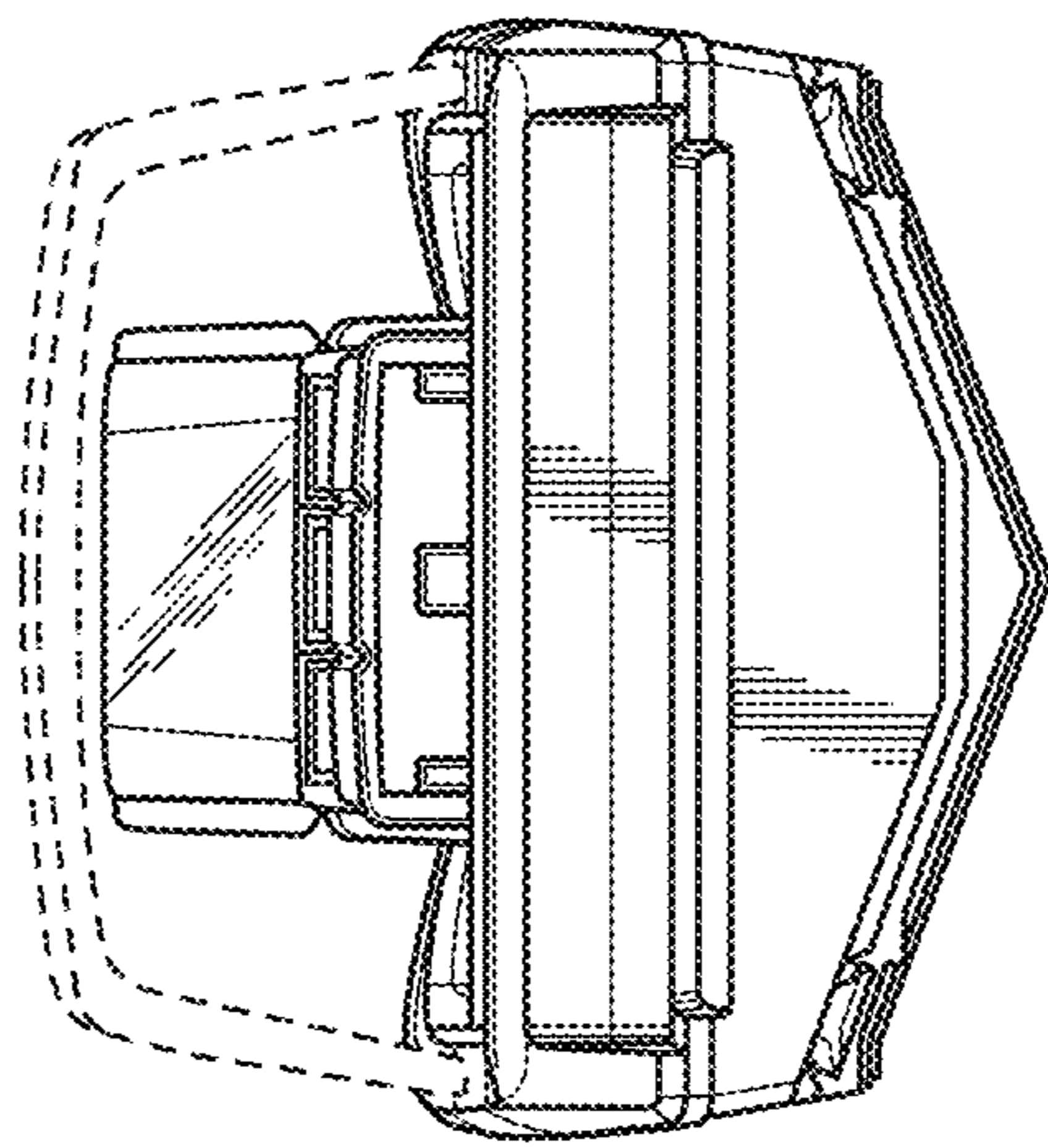


FIG. 8