



US00D763773S

(12) **United States Design Patent**
Chung

(10) **Patent No.:** **US D763,773 S**

(45) **Date of Patent:** **** Aug. 16, 2016**

(54) **AUTOMOTIVE WHEEL**

(71) Applicant: **Suny Chung**, Anaheim, CA (US)

(72) Inventor: **Suny Chung**, Anaheim, CA (US)

(**) Term: **15 Years**

(21) Appl. No.: **29/536,306**

(22) Filed: **Aug. 14, 2015**

(51) **LOC (10) Cl.** **12-16**

(52) **U.S. Cl.**
USPC **D12/211**

(58) **Field of Classification Search**
USPC D12/204–213
CPC B60B 7/00; B60B 7/02; B60B 7/04;
B60B 7/01; B60B 7/06; B60B 3/02; B60B
3/04; B60B 3/06; B60B 3/10; B60B 1/00;
B60B 1/08; B60B 1/10; B60B 1/12
See application file for complete search history.

(56) **References Cited**

U.S. PATENT DOCUMENTS

D232,431 S * 8/1974 Kimball D12/205
D421,953 S * 3/2000 Sims D12/211

D432,071 S * 10/2000 Brown D12/211
D447,107 S * 8/2001 Kuribayashi D12/211
D454,826 S * 3/2002 Kaucher D12/211
D499,686 S * 12/2004 Song D12/211
D508,884 S * 8/2005 Fridie D12/209
D512,008 S * 11/2005 Tirado D12/209
D733,632 S * 7/2015 Juergens D12/211
D751,485 S * 3/2016 Chung D12/209

* cited by examiner

Primary Examiner — Stacia Cadmus

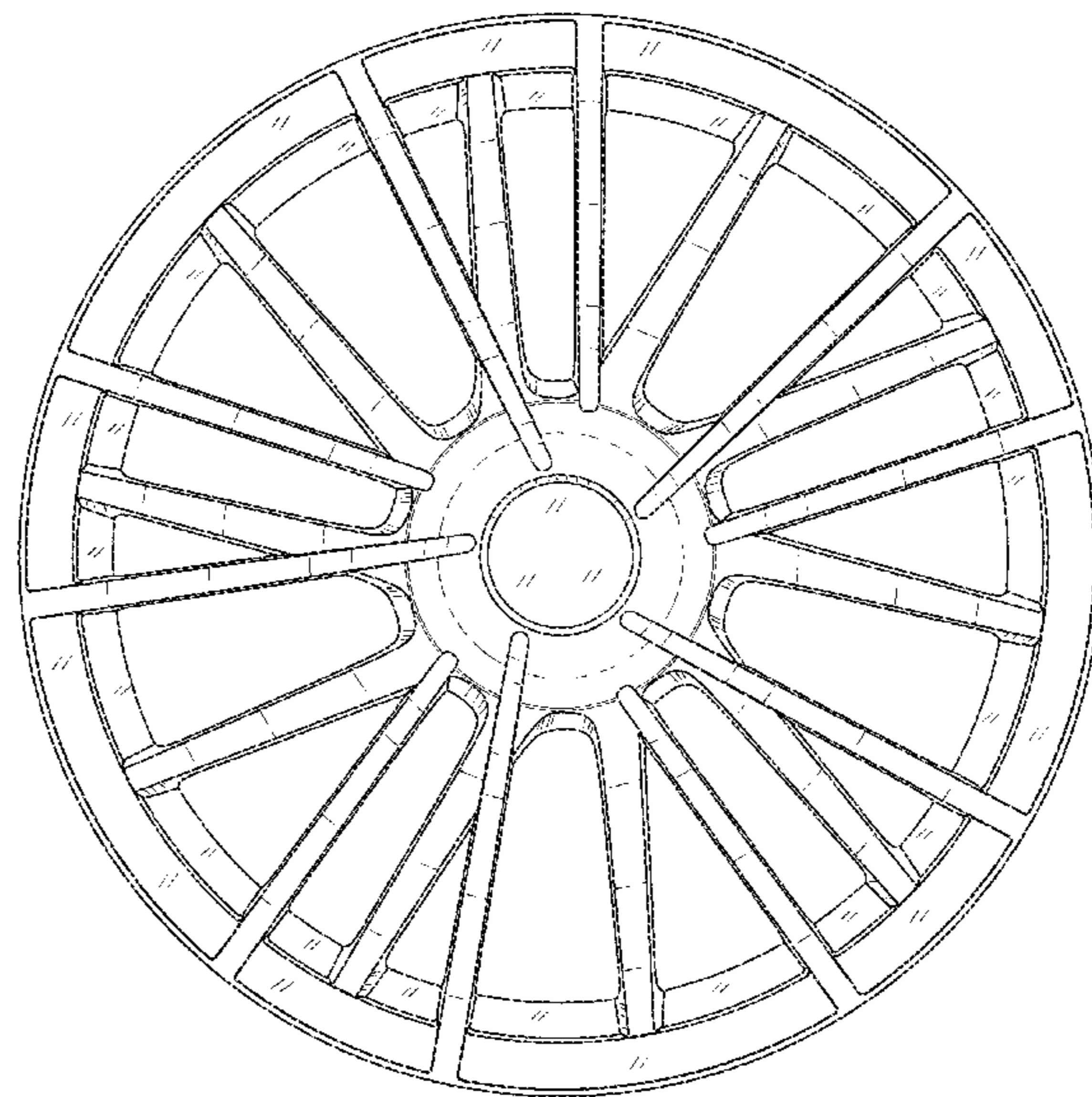
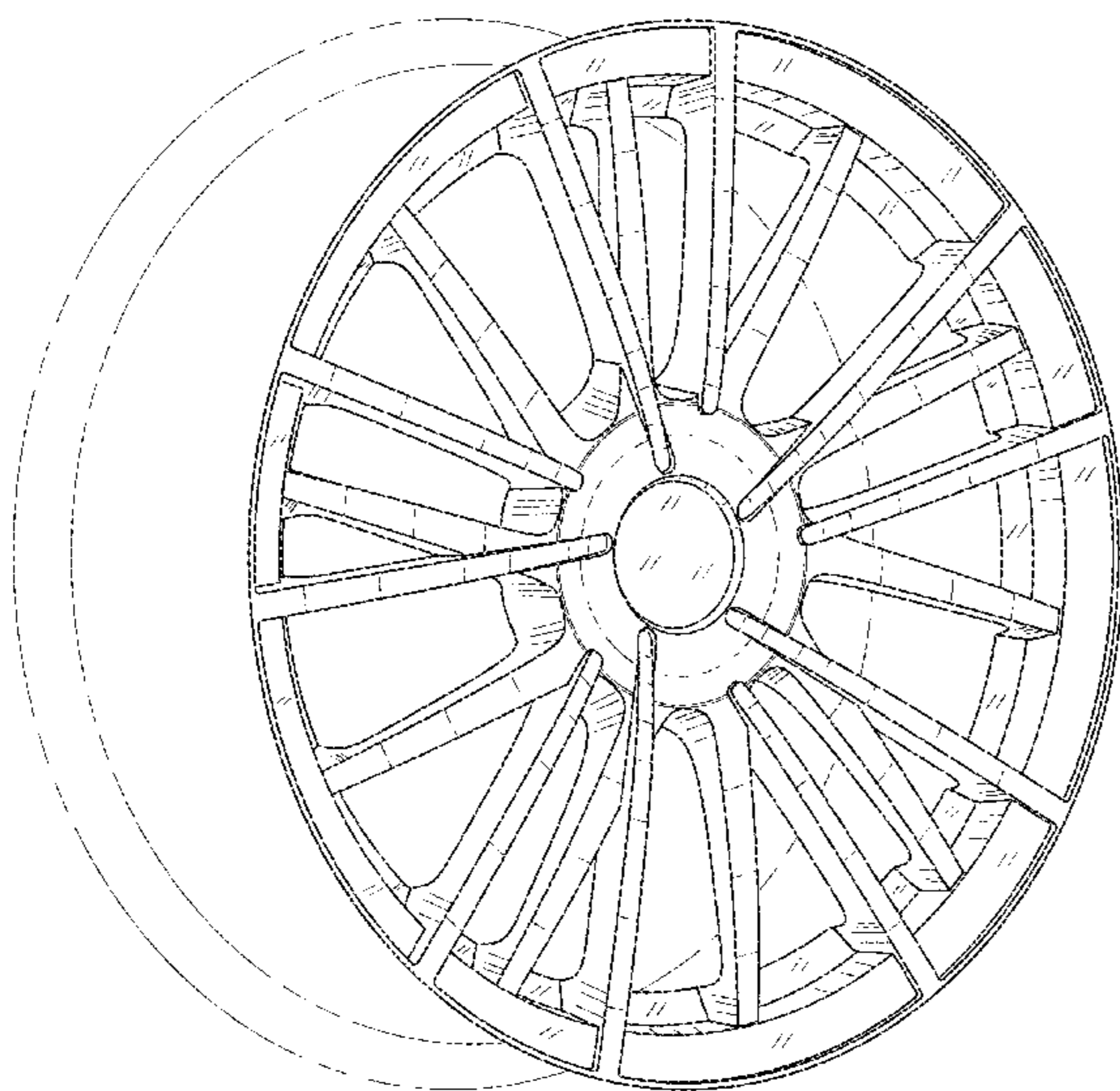
(57) **CLAIM**

The ornamental design for an automotive wheel, as shown and described.

DESCRIPTION

FIG. 1 is a perspective view of an automotive wheel, showing my new design; and, FIG. 2 is a front view thereof. The broken line showing of the rear portion of the wheel is included for the purpose of illustrating environment and forms no part of the claimed design.

1 Claim, 2 Drawing Sheets



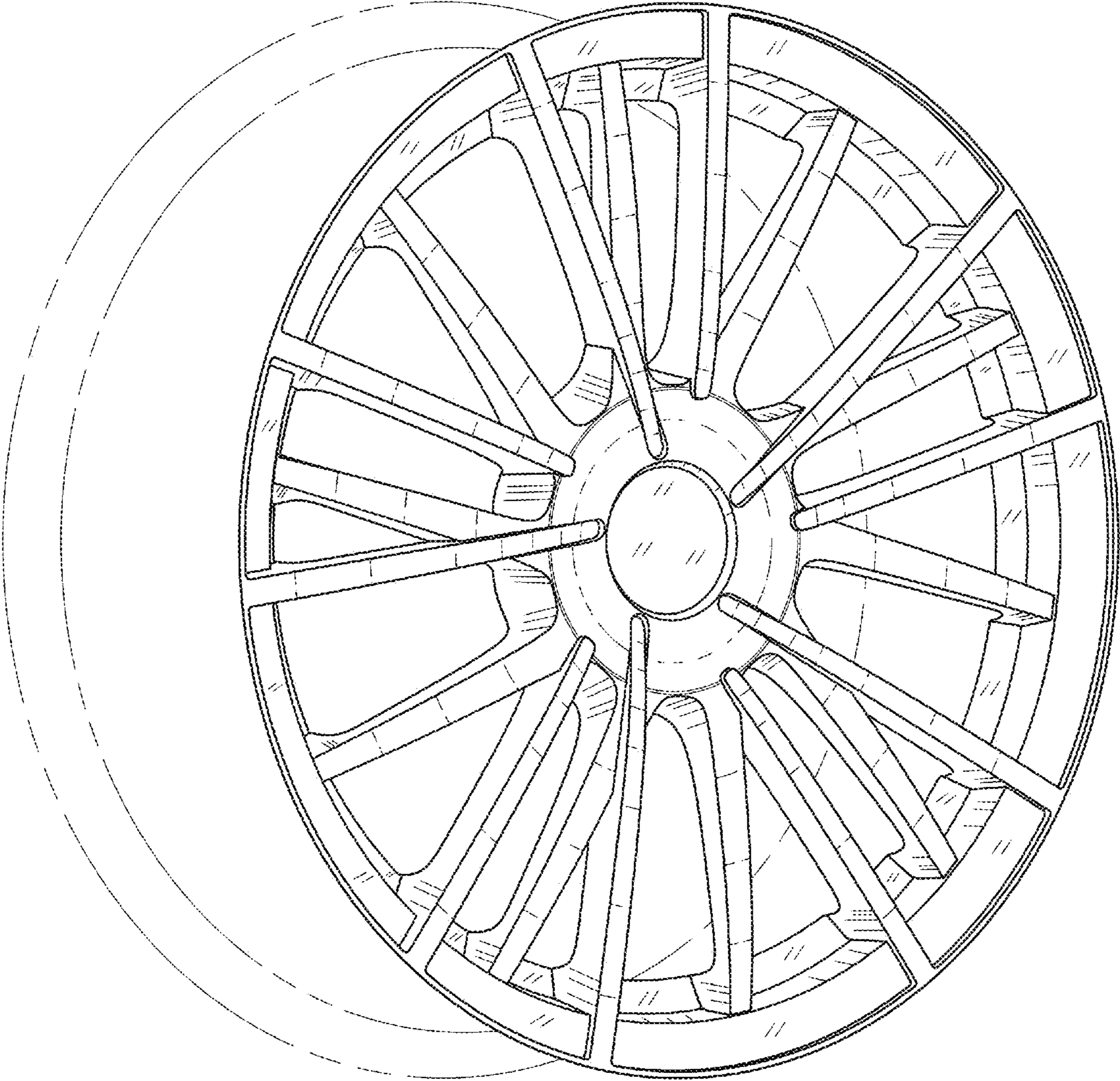


FIGURE 1

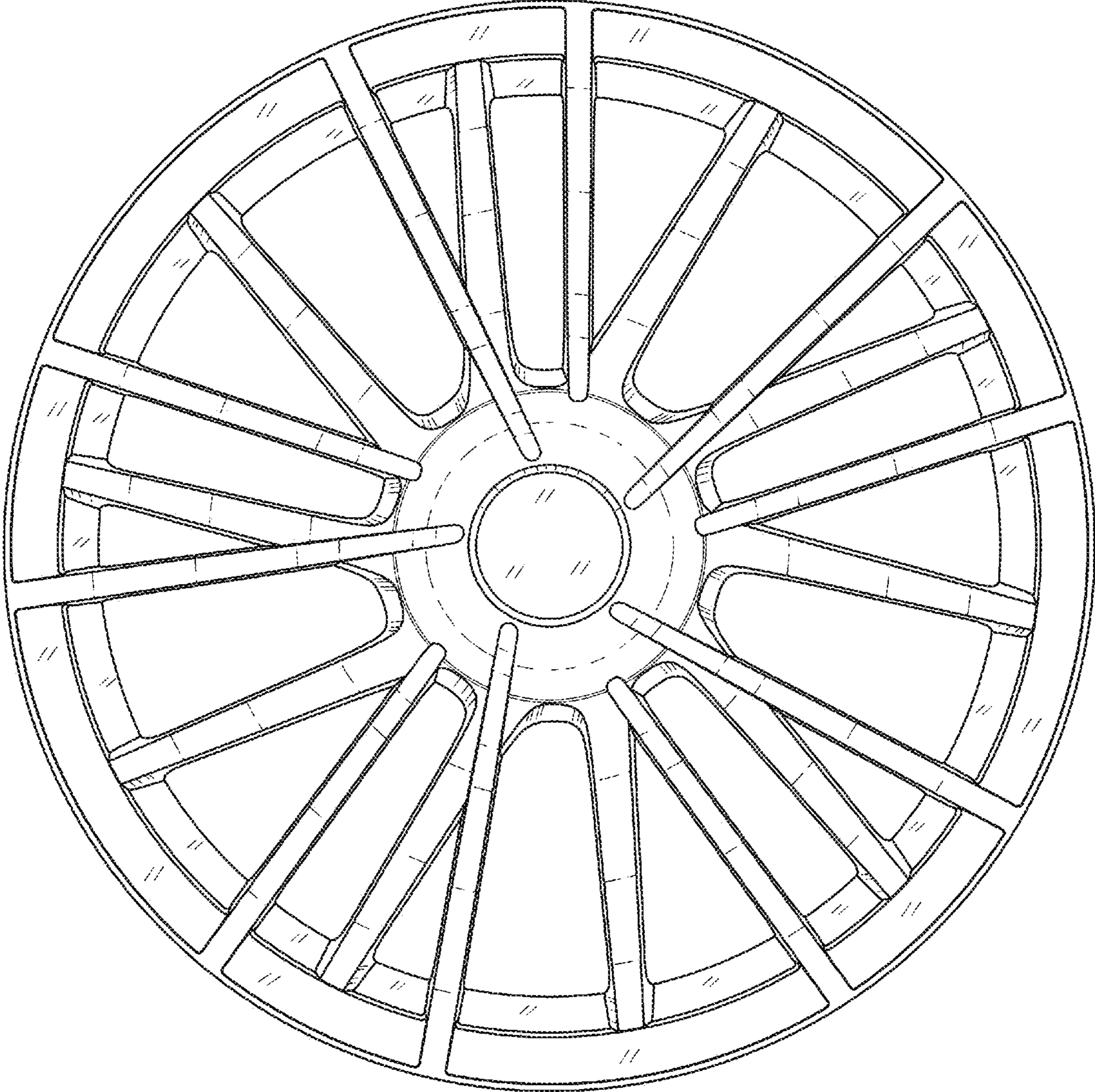


FIGURE 2