



US00D763772S

(12) **United States Design Patent**  
**Chung**

(10) **Patent No.:** **US D763,772 S**  
(45) **Date of Patent:** **\*\* Aug. 16, 2016**

(54) **AUTOMOTIVE WHEEL**

(71) Applicant: **Suny Chung**, Anaheim, CA (US)

(72) Inventor: **Suny Chung**, Anaheim, CA (US)

(\*\*) Term: **15 Years**

(21) Appl. No.: **29/536,300**

(22) Filed: **Aug. 14, 2015**

(51) **LOC (10) Cl.** ..... **12-16**

(52) **U.S. Cl.**  
USPC ..... **D12/211**

(58) **Field of Classification Search**  
USPC ..... D12/204–213  
CPC ..... B60B 7/00; B60B 7/02; B60B 7/04;  
B60B 7/01; B60B 7/06; B60B 3/02; B60B  
3/04; B60B 3/06; B60B 3/10; B60B 1/00;  
B60B 1/08; B60B 1/10; B60B 1/12  
See application file for complete search history.

(56) **References Cited**

**U.S. PATENT DOCUMENTS**

D482,307 S \* 11/2003 Lee ..... D12/211  
D495,986 S \* 9/2004 Walbey, Jr. .... D12/211

D535,606 S \* 1/2007 Hernandez ..... D12/211  
D543,493 S \* 5/2007 Kim ..... D12/209  
D548,165 S \* 8/2007 Young ..... D12/211  
D551,148 S \* 9/2007 Musser ..... D12/211  
D569,778 S \* 5/2008 Kim ..... D12/211  
D578,458 S \* 10/2008 Cortes ..... D12/211  
D706,197 S \* 6/2014 Chung ..... D12/211  
D707,167 S \* 6/2014 Chung ..... D12/209  
D722,548 S \* 2/2015 Chung ..... D12/211  
D727,829 S \* 4/2015 Chung ..... D12/211  
D736,135 S \* 8/2015 Grake ..... D12/211  
D742,293 S \* 11/2015 Chung ..... D12/211

\* cited by examiner

*Primary Examiner* — Stacia Cadmus

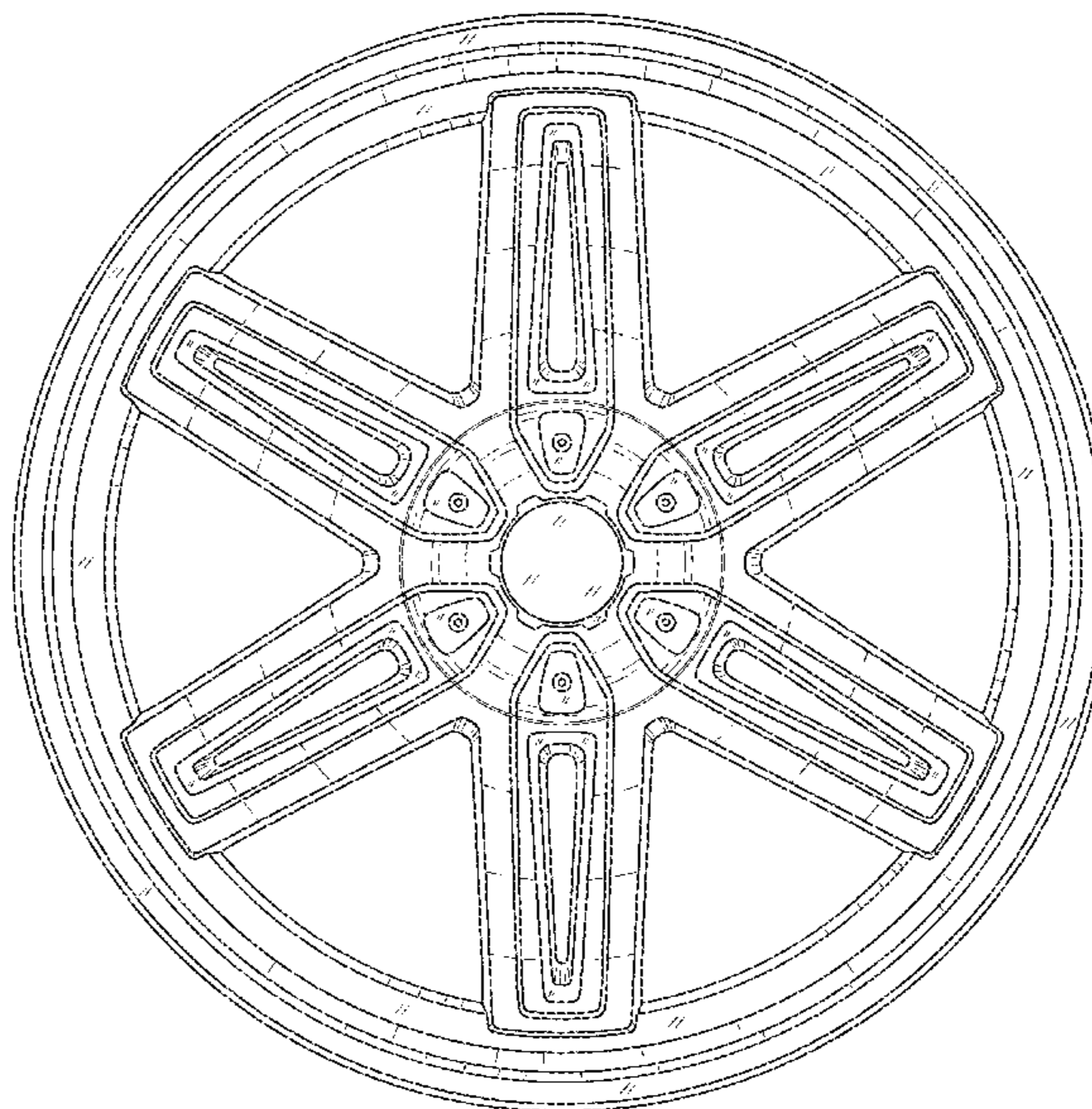
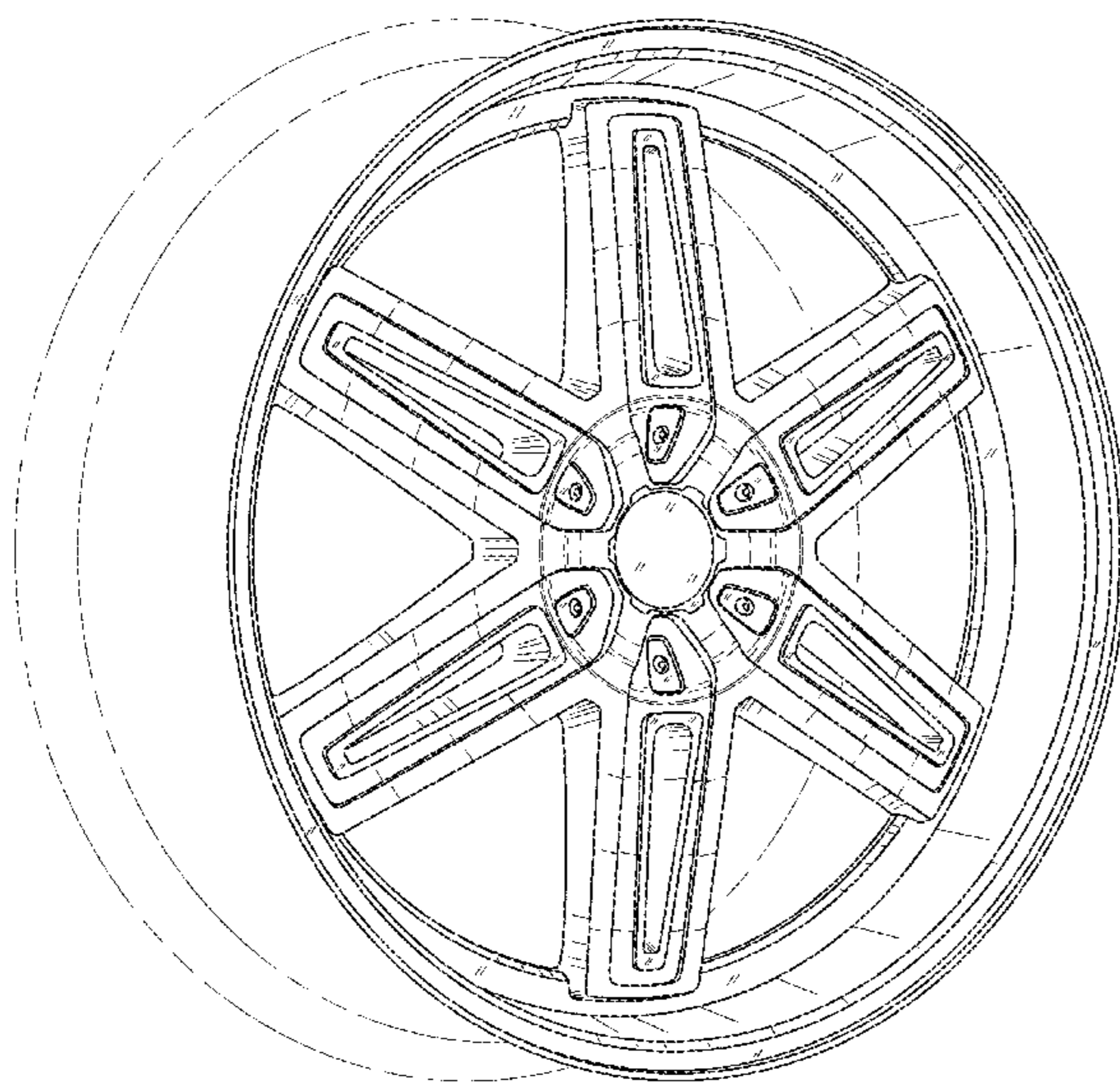
(57) **CLAIM**

The ornamental design for an automotive wheel, as shown and described.

**DESCRIPTION**

FIG. 1 is a perspective view of an automotive wheel, showing my new design; and, FIG. 2 is a front view thereof. The broken line showing of the rear portion of the wheel is included for the purpose of illustrating environment and forms no part of the claimed design.

**1 Claim, 2 Drawing Sheets**



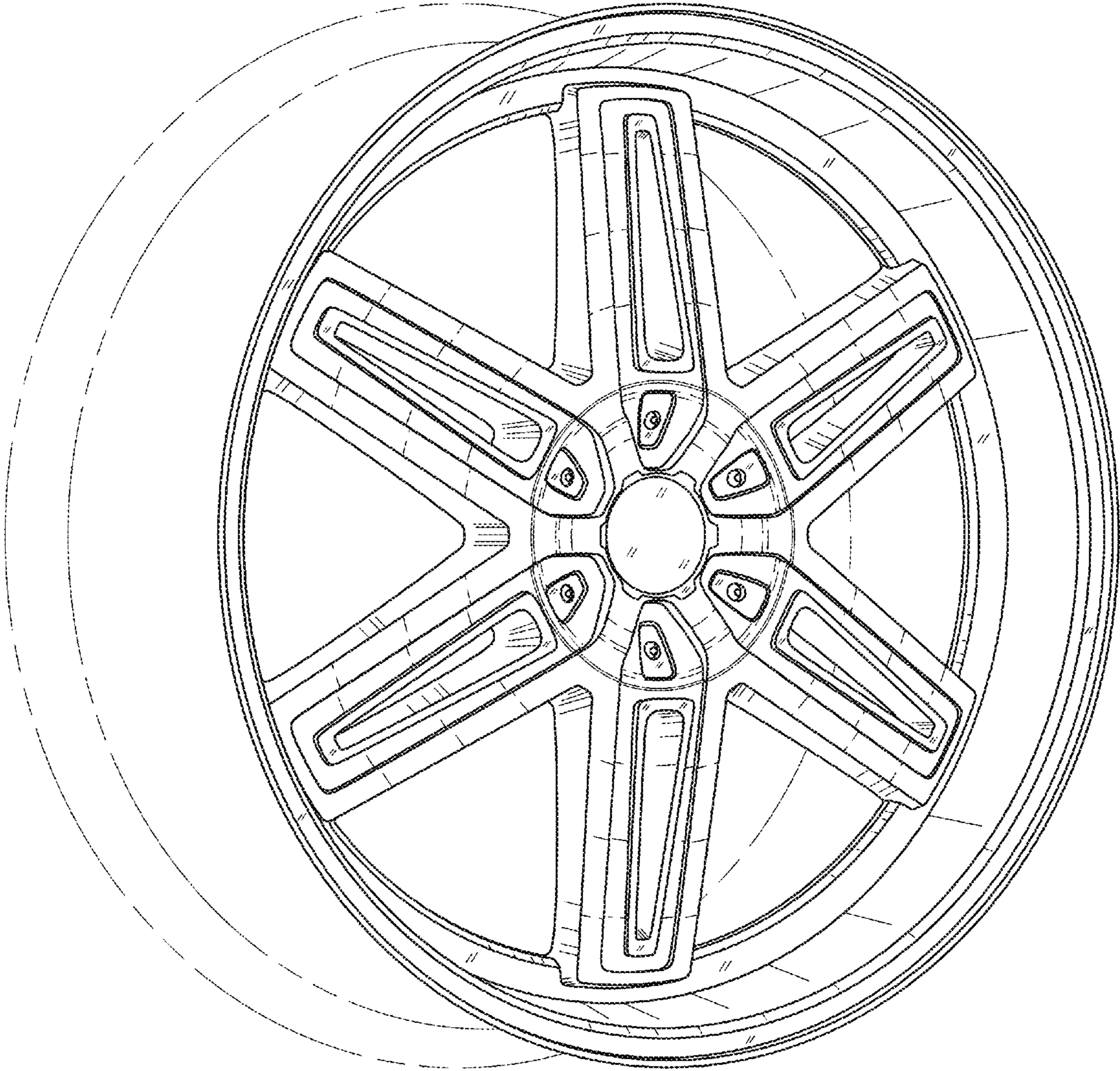


FIGURE 1

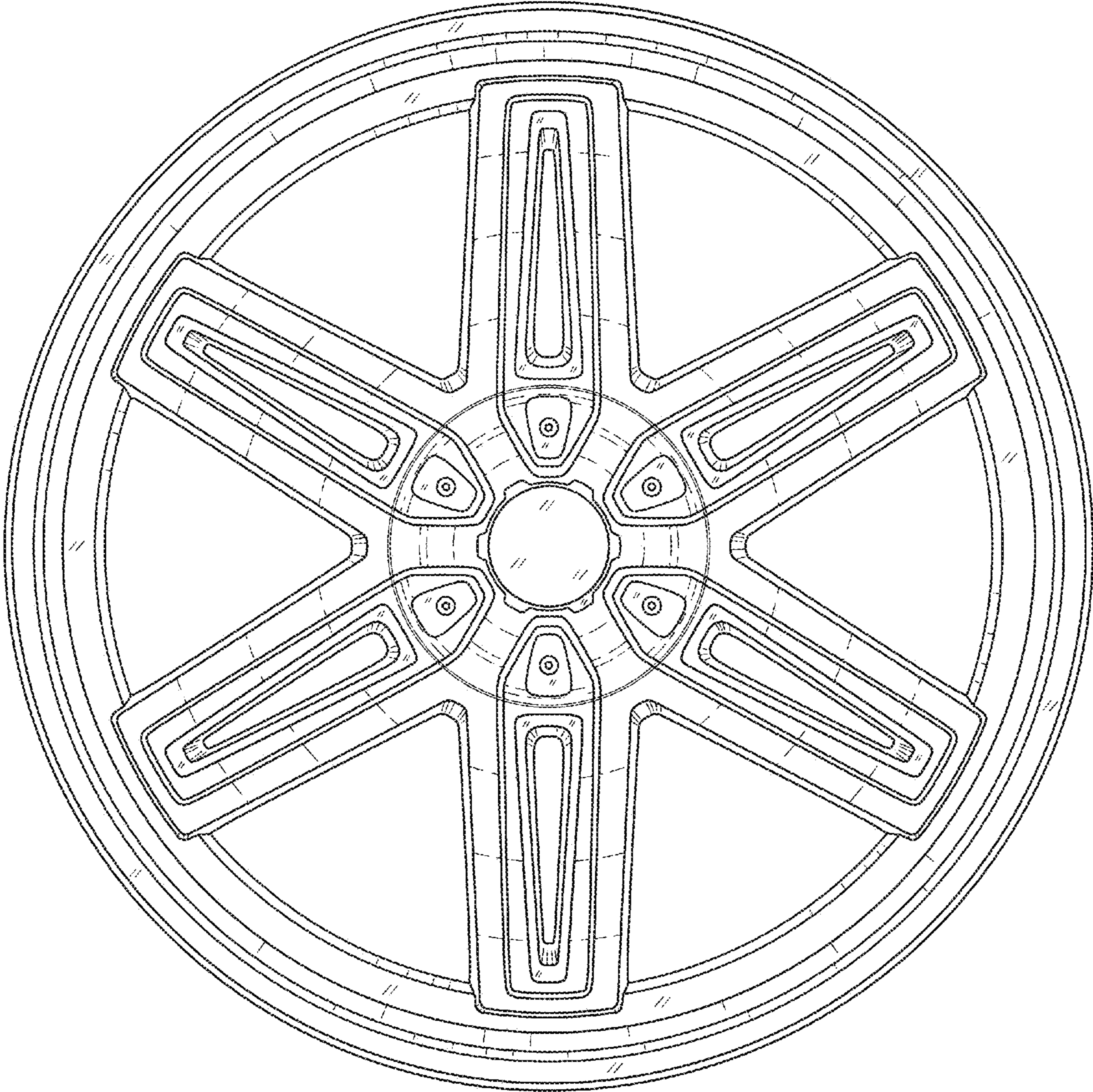


FIGURE 2